



US00D891169S

(12) **United States Design Patent**  
**Gushwa et al.**

(10) **Patent No.:** **US D891,169 S**  
(45) **Date of Patent:** **\*\* Jul. 28, 2020**

- (54) **OVEN**
- (71) Applicant: **WHIRLPOOL CORPORATION**,  
Benton Harbor, MI (US)
- (72) Inventors: **David J. Gushwa**, Mishawaka, IN  
(US); **John W. McConnell**, St. Joseph,  
MI (US); **Mansour Ourasanah**,  
Chicago, IL (US)
- (73) Assignee: **Whirlpool Corporation**, Benton  
Harbor, MI (US)
- (\*\*) Term: **15 Years**
- (21) Appl. No.: **29/713,611**
- (22) Filed: **Nov. 18, 2019**

**Related U.S. Application Data**

- (62) Division of application No. 29/653,943, filed on Jun.  
20, 2018, now Pat. No. Des. 870,504.
- (51) **LOC (12) Cl.** ..... **07-02**
- (52) **U.S. Cl.**  
USPC ..... **D7/328**
- (58) **Field of Classification Search**  
USPC ..... D7/323, 328-330, 339-349, 350.1, 390,  
D7/402-406; D8/300-306  
CPC ... A21B 2/00; A47J 37/00; A47J 37/06; A47J  
37/0611; A47J 37/08; A47J 37/0807;  
A47J 37/0814; A47J 37/0835; A47J  
37/0842; A47J 37/085; A47J 37/0864;  
A47J 37/0878; A47J 37/0885; A47J  
37/0892; F24C 15/10; F24C 15/12; F24C  
15/102  
See application file for complete search history.

**References Cited**

**U.S. PATENT DOCUMENTS**

D305,597 S	1/1990	Yoo
D564,283 S	3/2008	Leung et al.

D564,284 S	3/2008	Leung et al.	
D585,235 S *	1/2009	Tetreault	D7/350.1
D587,959 S	3/2009	Hensel	
D614,905 S	5/2010	Fiorotto	
D655,970 S	3/2012	De' Longhi	
D658,439 S	5/2012	Curtis et al.	
D736,554 S	8/2015	Steiner et al.	
D781,635 S *	3/2017	Koszylko	D7/348
D788,514 S *	6/2017	Bock	D7/329
D825,247 S *	8/2018	Dash	D7/328
D838,533 S	1/2019	Toki	
D839,039 S *	1/2019	Marsh-Croft	D7/350.1
D855,372 S *	8/2019	Ye	D7/328
D870,503 S *	12/2019	Gushwa	D7/328
D870,504 S *	12/2019	Gushwa	D7/328
D878,136 S *	3/2020	Bhogal	D7/328
2011/0023861 A1 *	2/2011	Hensel	F24C 15/12 126/273 R

\* cited by examiner

*Primary Examiner* — Ricky Pham

(74) *Attorney, Agent, or Firm* — Price Heneveld LLP

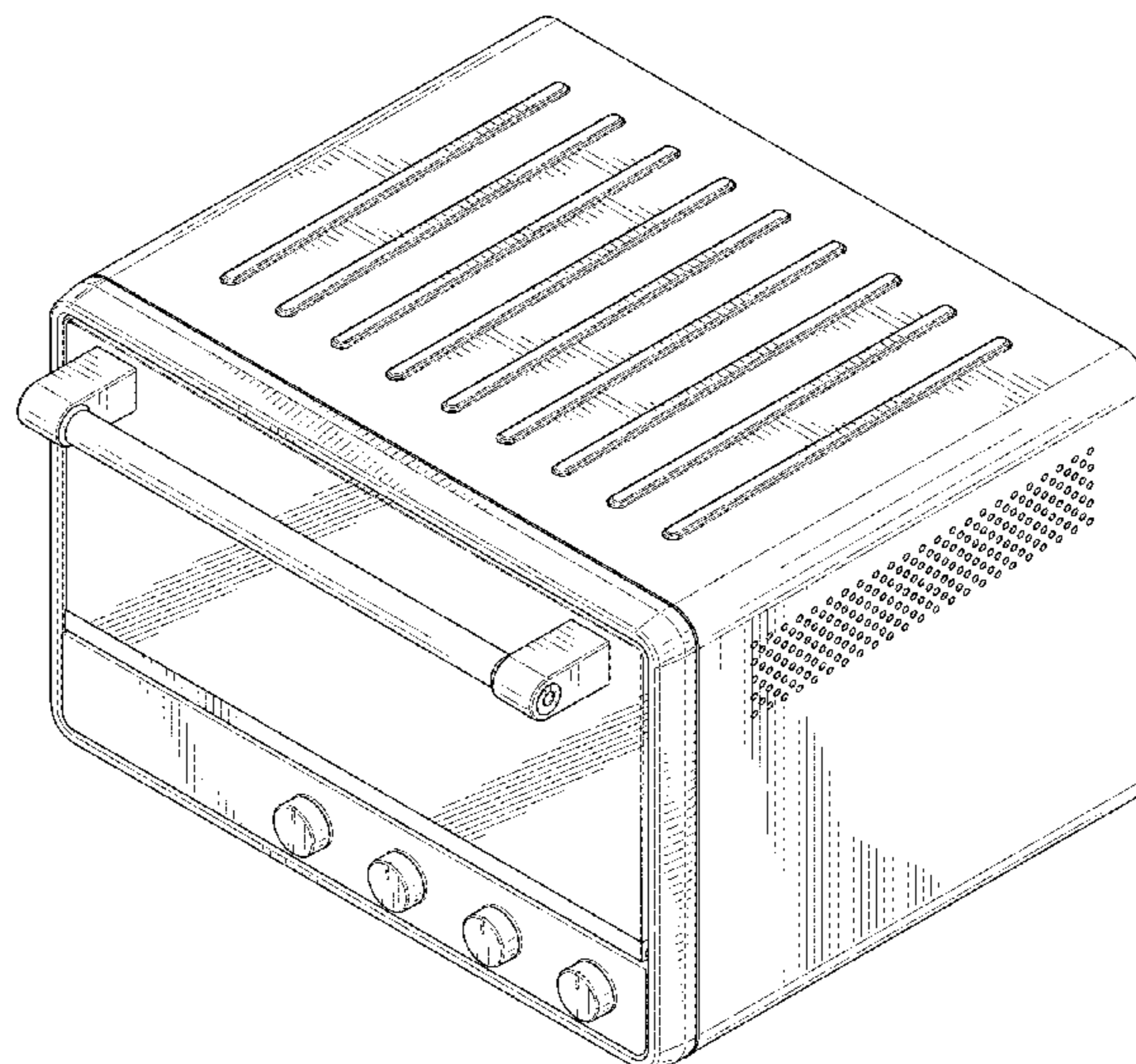
(57) **CLAIM**

The ornamental design for an oven, as shown and described.

**DESCRIPTION**

FIG. 1 is a front perspective view of an oven according to our design;  
 FIG. 2 is a front elevation view thereof;  
 FIG. 3 is a back elevation view thereof;  
 FIG. 4 is a left side elevation view thereof;  
 FIG. 5 is a right side elevation view thereof;  
 FIG. 6 is a top plan view thereof; and,  
 FIG. 7 is a bottom plan view thereof.  
 The portions of the article shown in broken line form no part of the claimed design.  
 Diagonal shading indicates a transparent or highly reflective appearance.

**1 Claim, 7 Drawing Sheets**



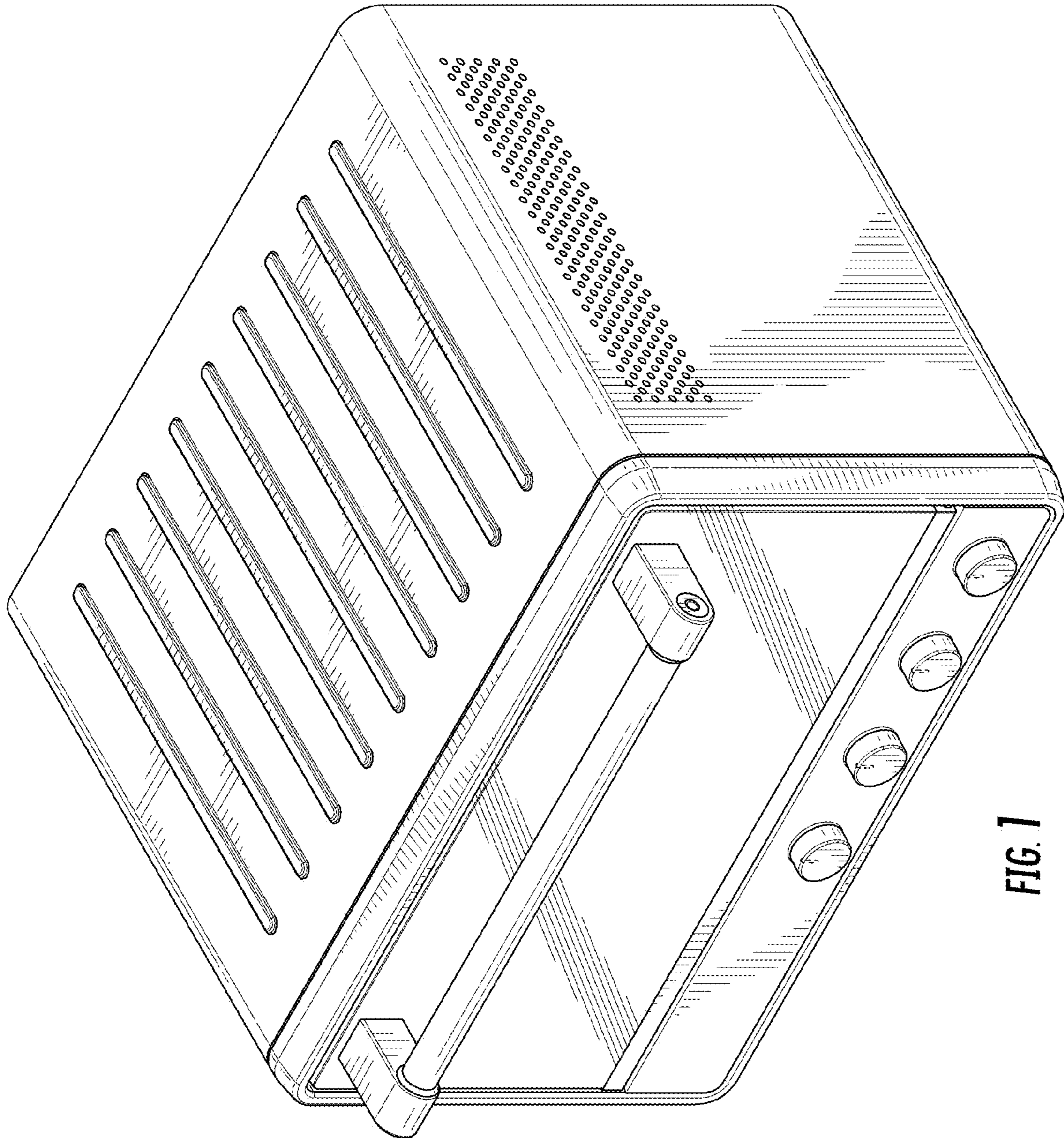


FIG. 1

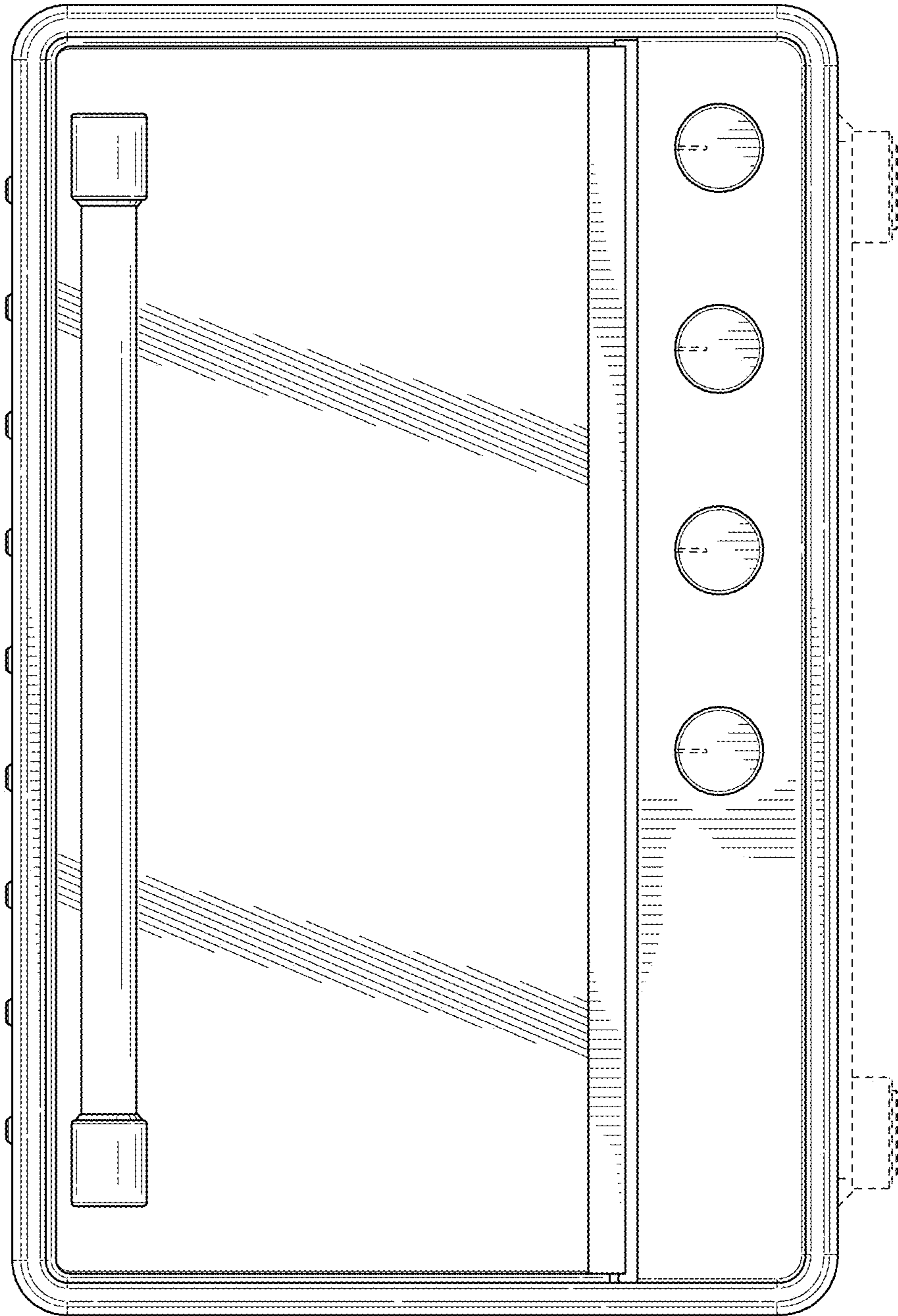


FIG. 2

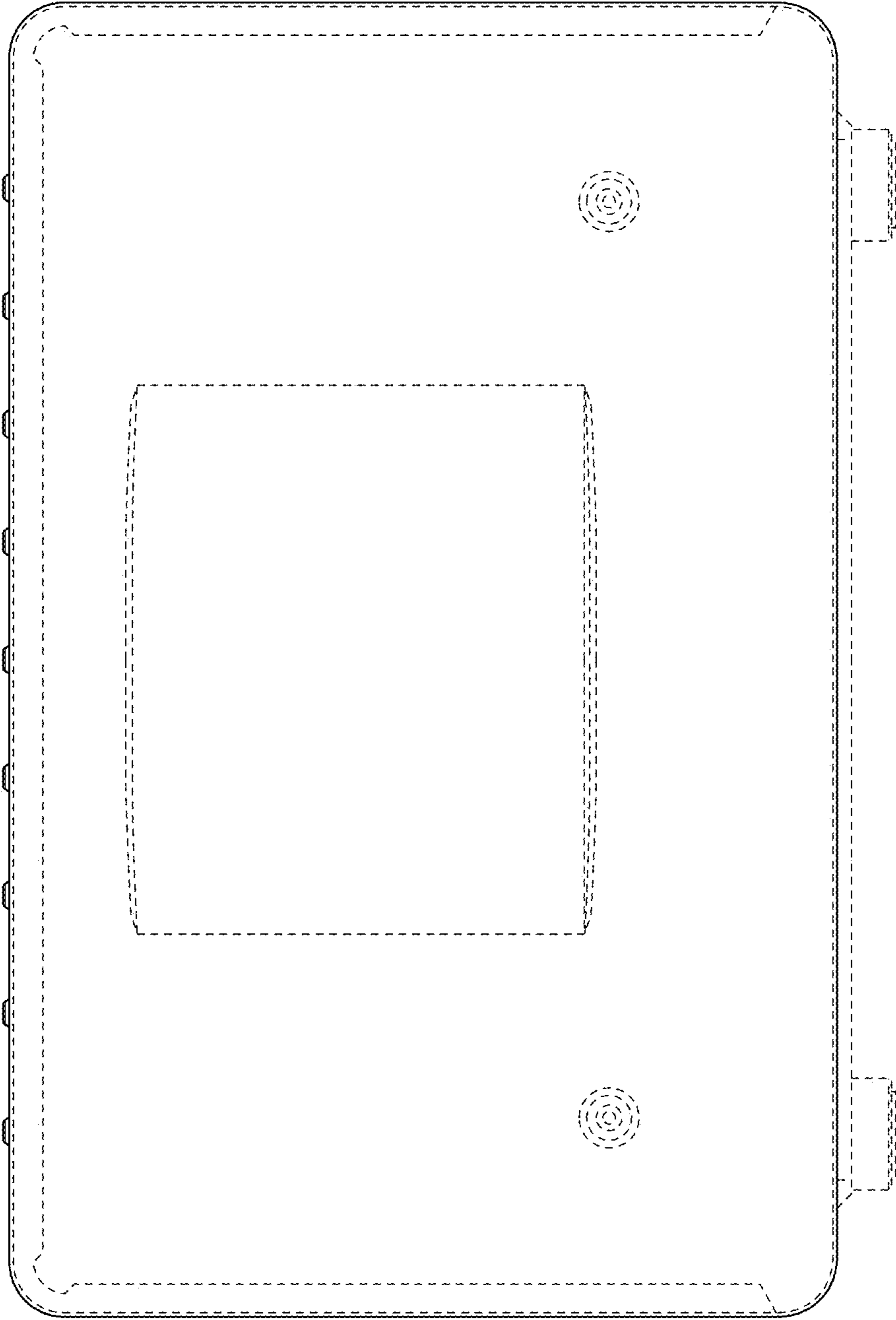


FIG. 3

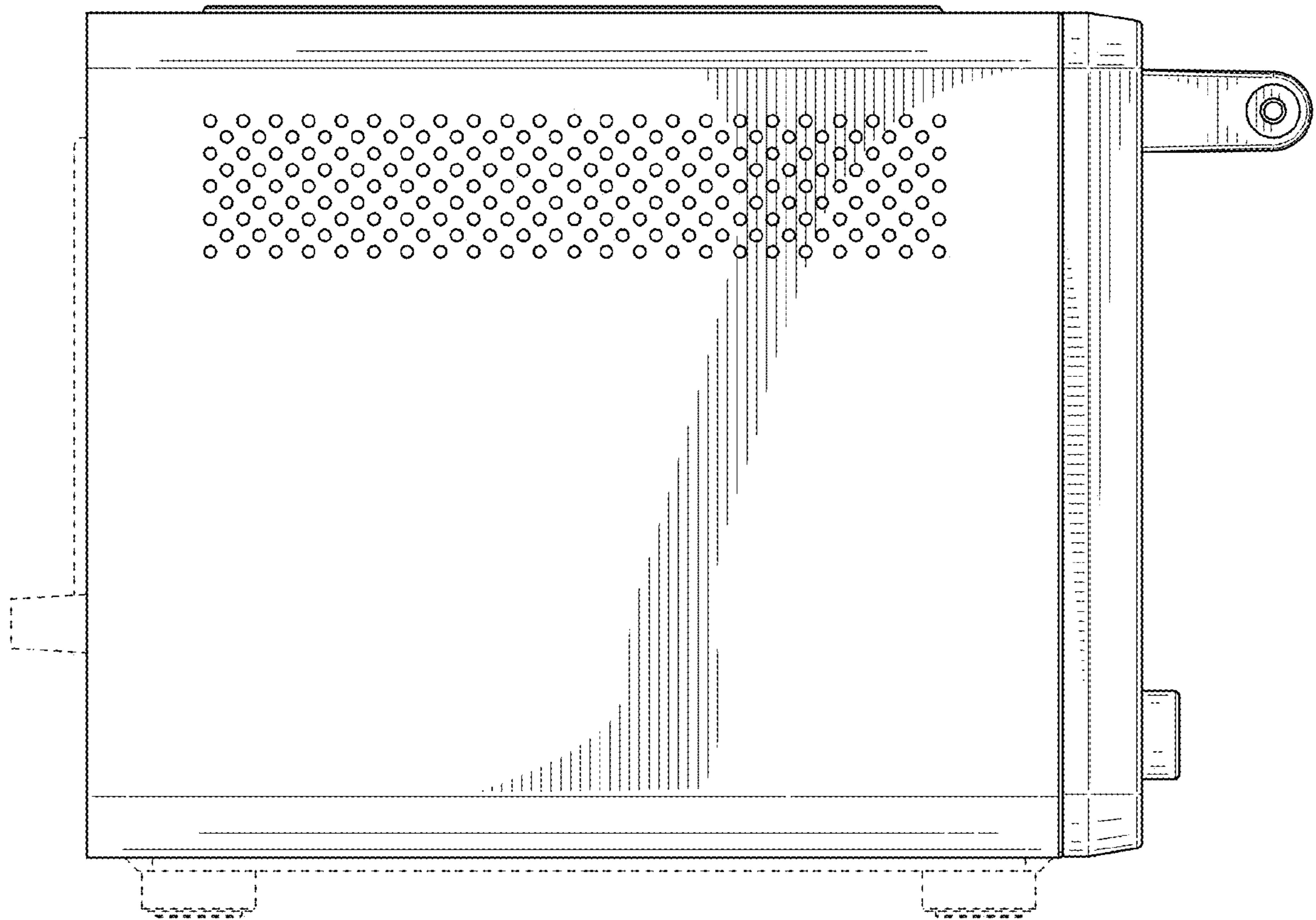


FIG. 4

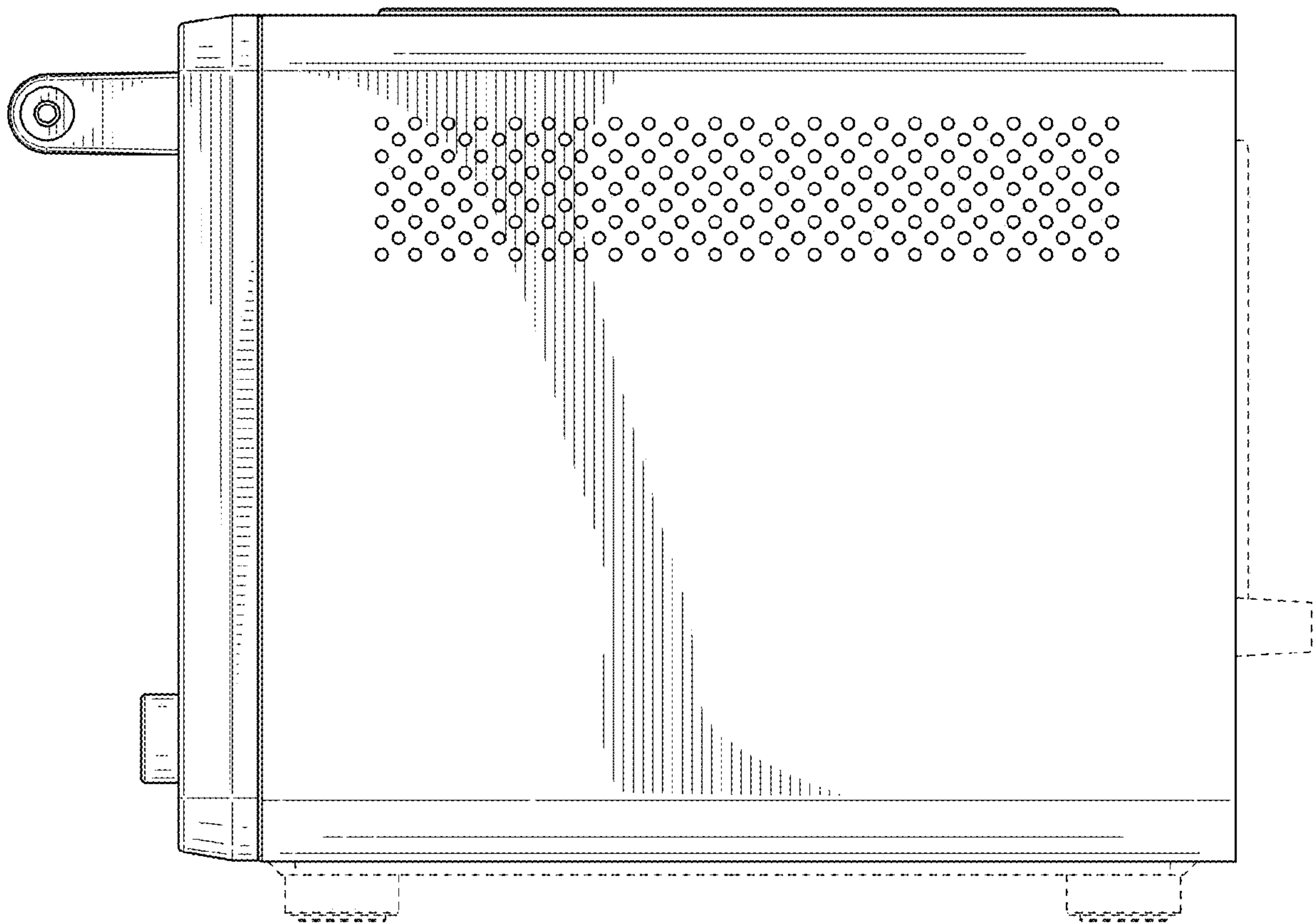


FIG. 5

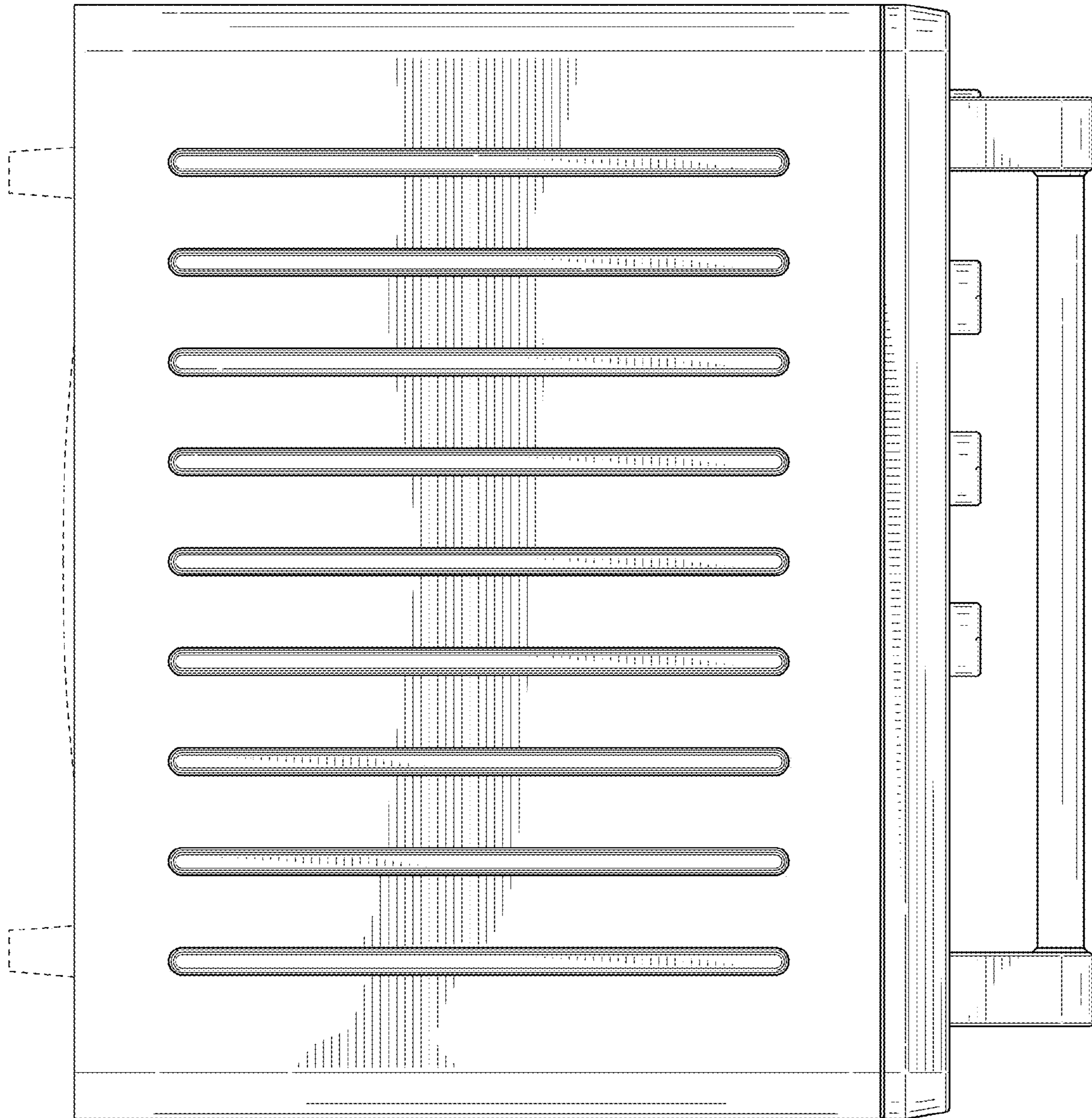


FIG. 6

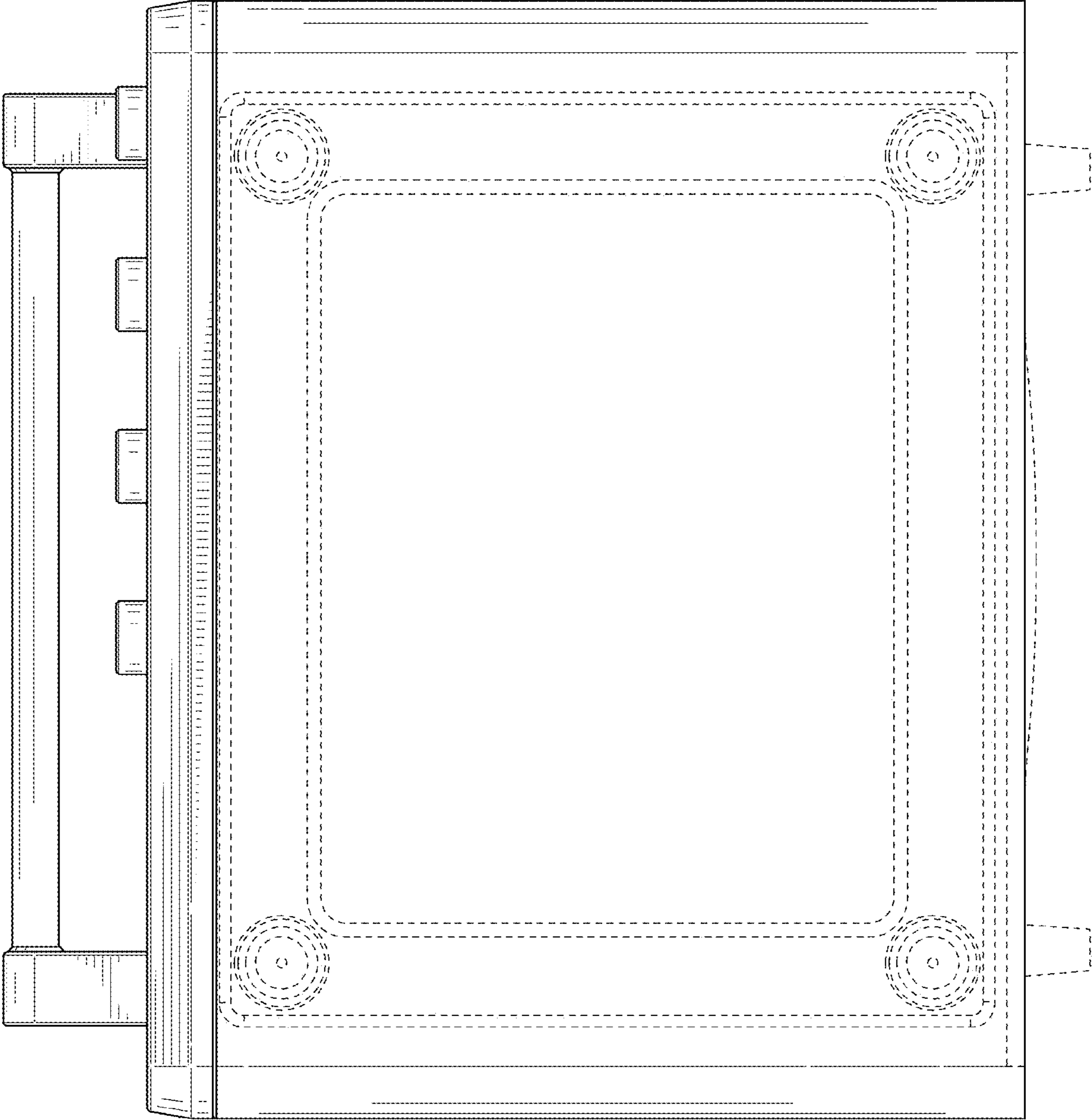


FIG. 7