



US00D891165S

(12) **United States Design Patent** (10) **Patent No.:** **US D891,165 S**  
**Kihara et al.** (45) **Date of Patent:** **\*\* Jul. 28, 2020**

(54) **COFFEE MACHINE** D513,572 S \* 1/2006 Schaffeld ..... D7/309  
D544,299 S \* 6/2007 Schaffeld ..... D7/397  
(71) Applicant: **Tree Field, Inc.**, Toyko (JP) D559,611 S \* 1/2008 Cheong ..... D7/306  
7,331,483 B2 \* 2/2008 Bhimani ..... B67D 1/0025  
222/1  
(72) Inventors: **Kaishun Kihara**, Tokyo (JP); **Toshio Saito**, Tokyo (JP); **Taisuke Torizu**, Tokyo (JP); **Naoyuki Takami**, Tokyo (JP); **Takeo Mori**, Tokyo (JP) D570,637 S \* 6/2008 Glucksman ..... D7/306  
7,398,726 B2 \* 7/2008 Streeter ..... A47J 31/32  
99/280  
(Continued)

(73) Assignee: **TREE FIELD, INC.**, Tokyo (JP)

FOREIGN PATENT DOCUMENTS

(\*\*) Term: **15 Years**

KR 3008523560000 5/2016  
TW D170705 9/2015

(21) Appl. No.: **35/506,449**

OTHER PUBLICATIONS

(22) Filed: **Aug. 7, 2018**

Taiwan Search Report in connection with a Notice of Allowance dated Mar. 11, 2019 in a related Taiwan Application No. 107305040.

(80) **Hague Agreement Data**

Int. Filing Date: **Aug. 7, 2018**  
Int. Reg. No.: **DM/102495**  
Int. Reg. Date: **Aug. 7, 2018**  
Int. Reg. Pub. Date: **Feb. 8, 2019**

*Primary Examiner* — Richard E Chilcot  
(74) *Attorney, Agent, or Firm* — Thomas | Horstemeyer, LLP

(51) **LOC (12) Cl.** ..... **07-01**

(57) **CLAIM**

(52) **U.S. Cl.**

The ornamental design for coffee machine, as shown and described.

USPC ..... **D7/306; D7/311**

**DESCRIPTION**

(58) **Field of Classification Search**

USPC ..... D7/300, 306–308, 309–311, 305, 355, D7/362, 365, 367; 222/146.6, 185.1, 135; 99/295, 273, 304, 288, 279, 307, 283  
CPC ..... A47J 31/46; A47J 31/407; A47J 31/50; A47J 31/18; A47J 31/00; A47J 27/04; A47J 31/0573; A47J 31/52; A47J 31/0642; A47J 31/3628; A47J 31/4407  
See application file for complete search history.

- 2. Coffee machine
- 2.1 : Front
- 2.2 : Back
- 2.3 : Top
- 2.4 : Bottom
- 2.5 : Right
- 2.6 : Left
- 2.7 : Perspective
- 2.8 : Perspective

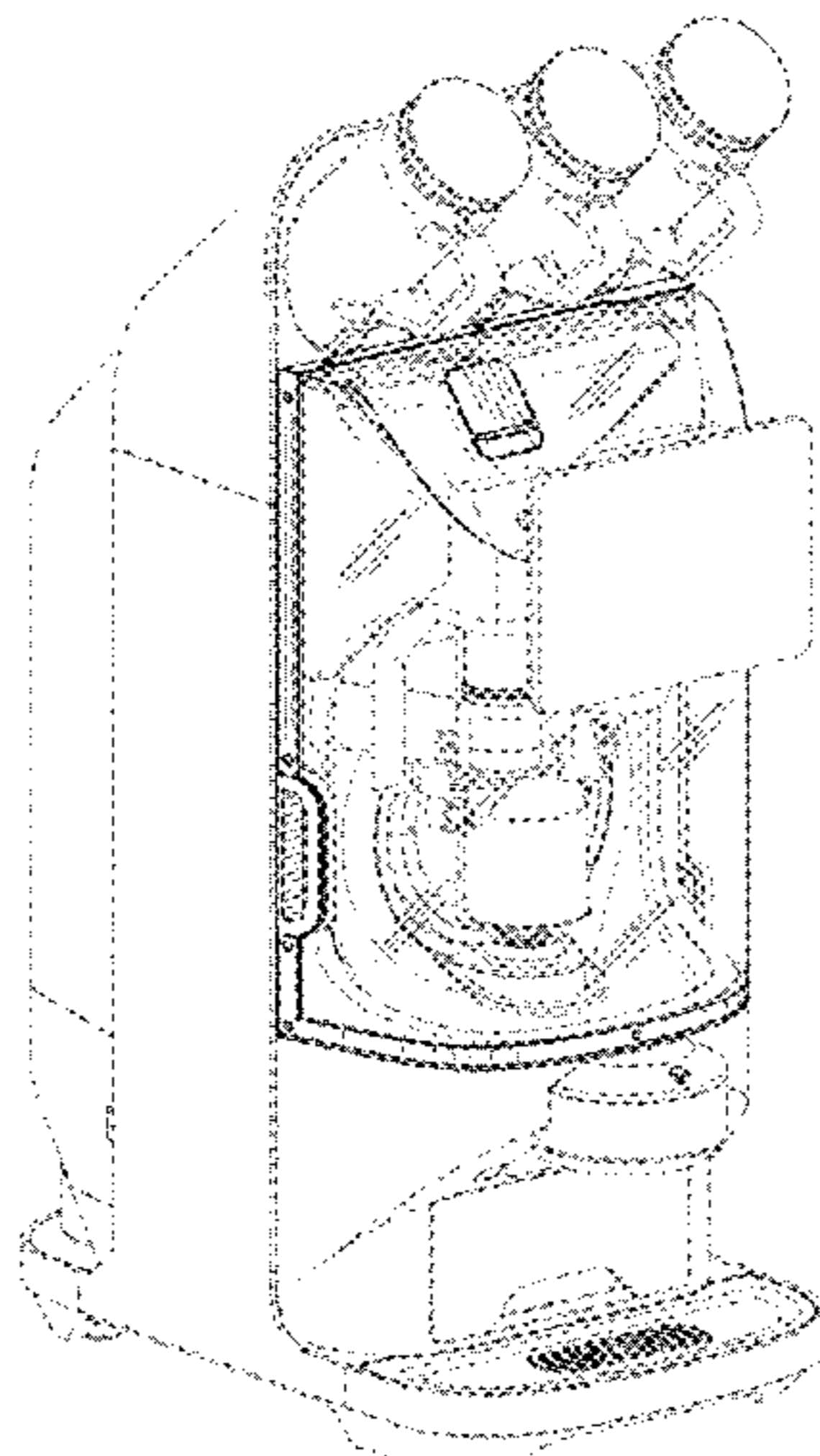
(56) **References Cited**

U.S. PATENT DOCUMENTS

D408,679 S \* 4/1999 Potts ..... D7/306  
D461,358 S \* 8/2002 Cahen ..... D7/309  
D462,865 S \* 9/2002 Honan ..... D7/309  
D489,215 S \* 5/2004 Honan ..... D7/309  
D505,821 S 6/2005 Liebe et al.

The broken lines are included to show features that form no part of the claimed design. The parallel thin lines and the radial thin lines in the representation represent contours only and do not illustrate an ornamentation or decoration on the surface of the product.

**1 Claim, 8 Drawing Sheets**



(56)

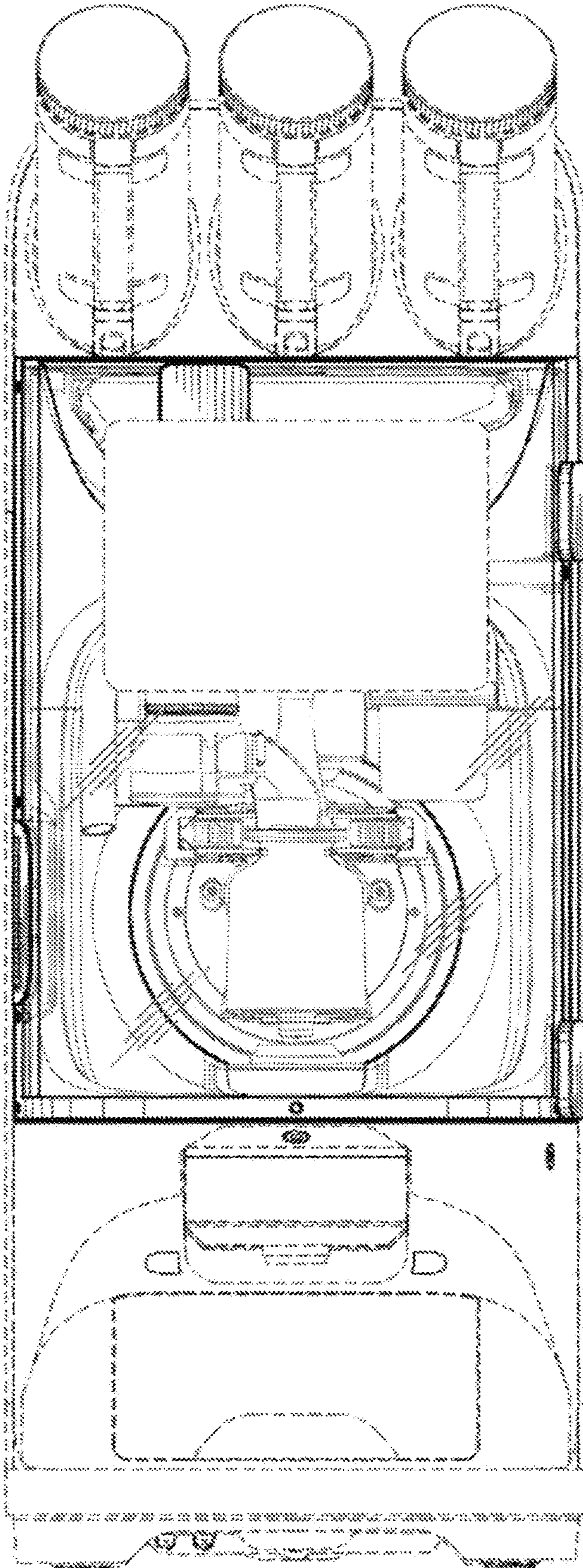
**References Cited**

## U.S. PATENT DOCUMENTS

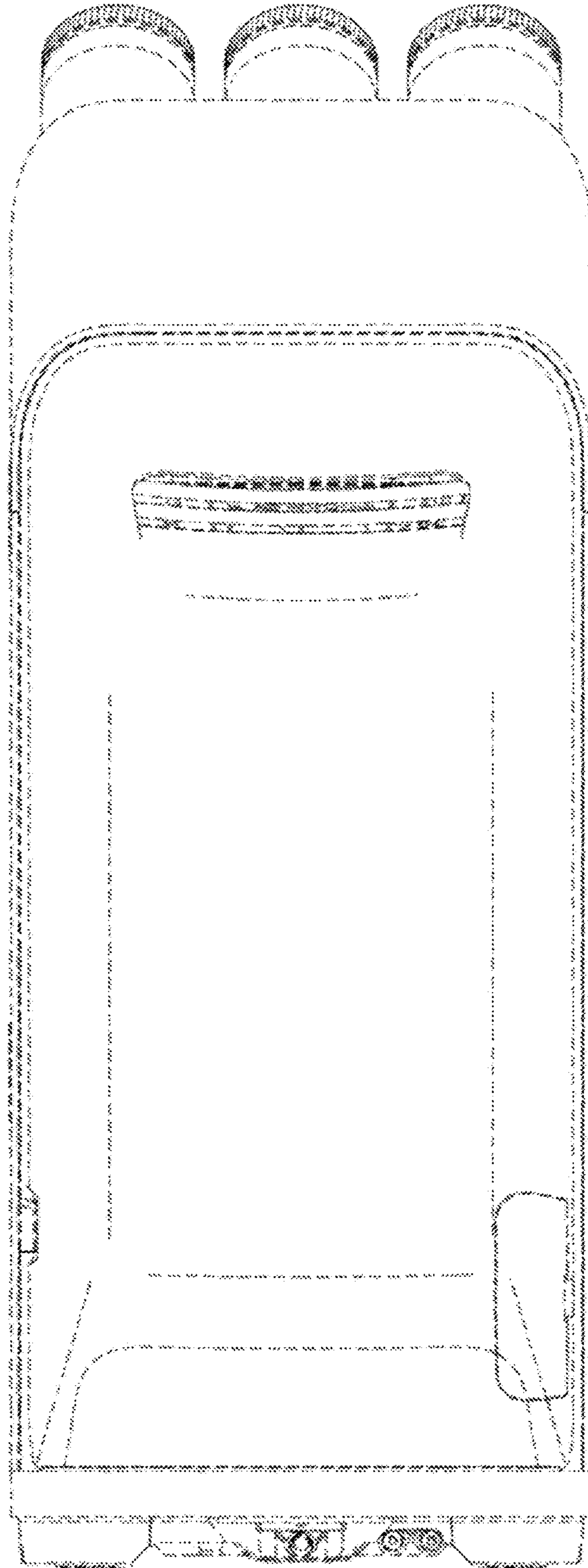
D582,714 S	*	12/2008	Hensel .....	D7/309
D597,366 S	*	8/2009	Drake .....	D7/306
D604,985 S	*	12/2009	Taylor .....	D7/309
D607,258 S	*	1/2010	De Pra' .....	D7/309
D607,259 S	*	1/2010	De Pra' .....	D7/309
D622,999 S	*	9/2010	Murayou .....	D7/306
D626,368 S	*	11/2010	De Pra' .....	D7/309
D630,881 S	*	1/2011	Rezzonico .....	D7/309
D634,963 S	*	3/2011	Romandy .....	D7/306
D663,158 S	*	7/2012	Jacquet .....	D7/393
D667,674 S	*	9/2012	Wilder .....	D7/306
D702,984 S	*	4/2014	Hanneson .....	D7/306
D719,404 S	*	12/2014	Manly .....	D7/306
D720,180 S	*	12/2014	Manly .....	D7/306
D721,247 S	*	1/2015	Manly .....	D7/306
D722,463 S	*	2/2015	Manly .....	D7/306
D723,317 S	*	3/2015	Manly .....	D7/306
D763,030 S	*	8/2016	Priley .....	D7/306
D807,675 S		1/2018	De Longhi et al.	
D812,971 S	*	3/2018	Moon .....	D7/397
D830,755 S	*	10/2018	Fletcher .....	D7/306

\* cited by examiner

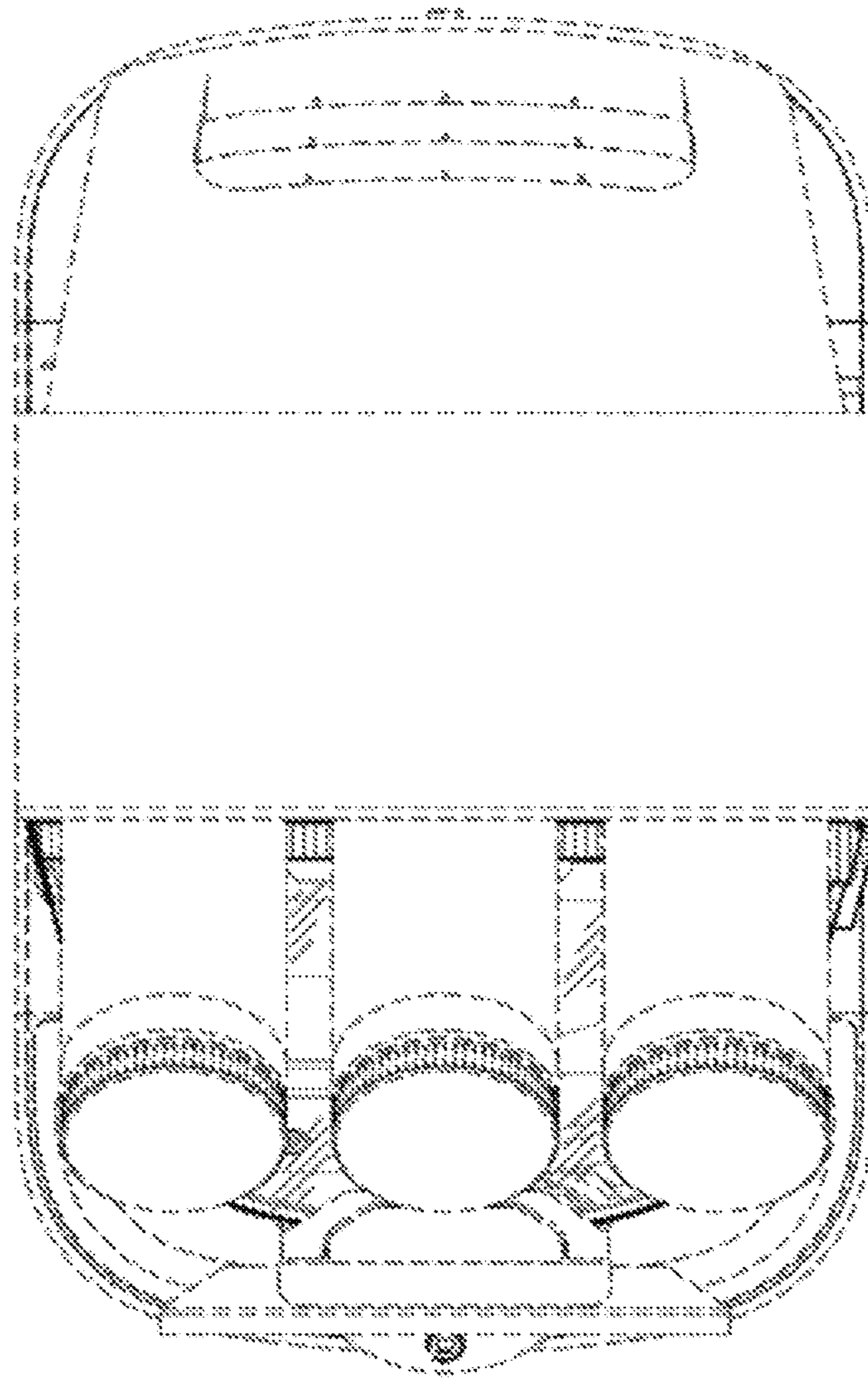
2.1



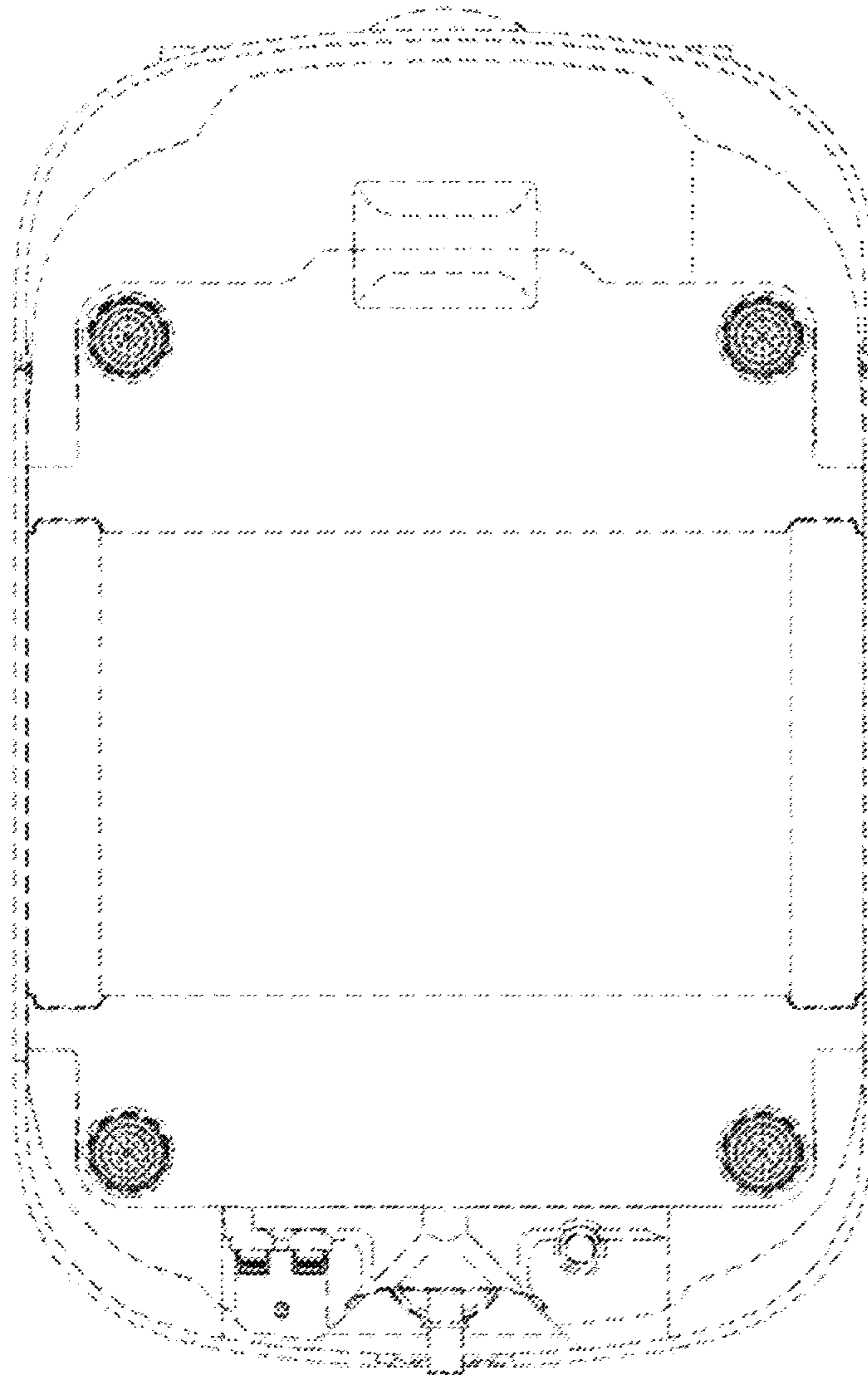
2.2



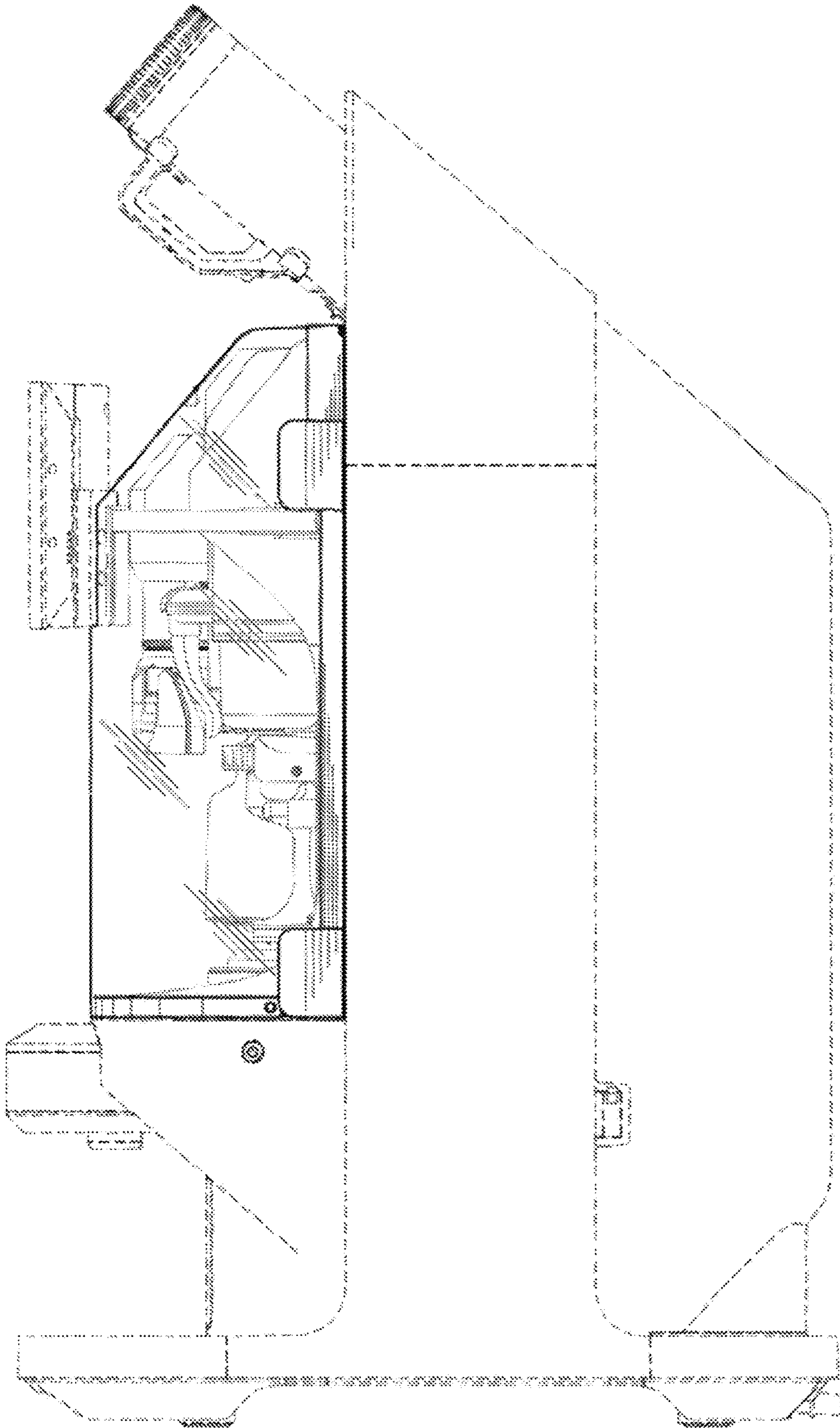
2.3



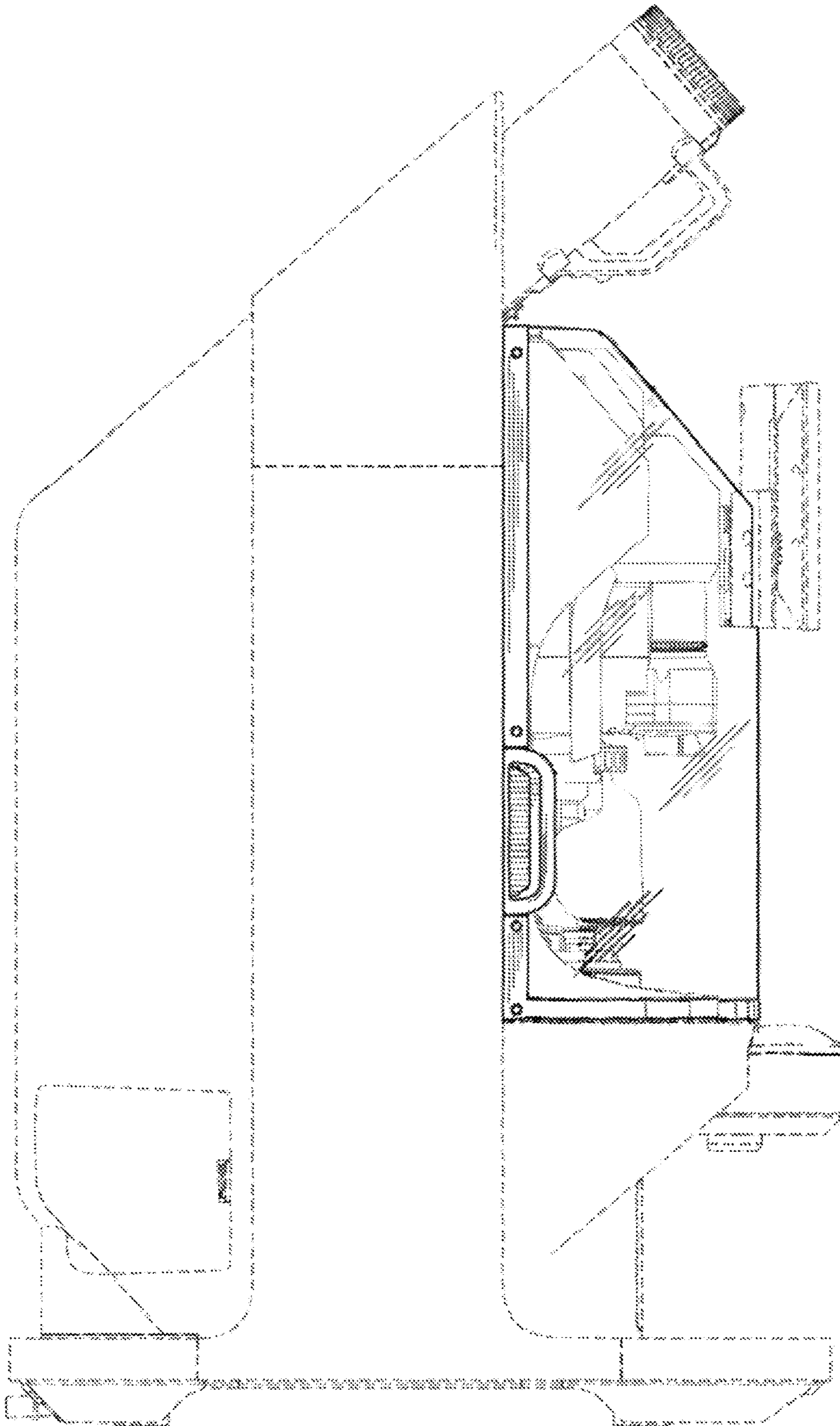
2.4



2.5

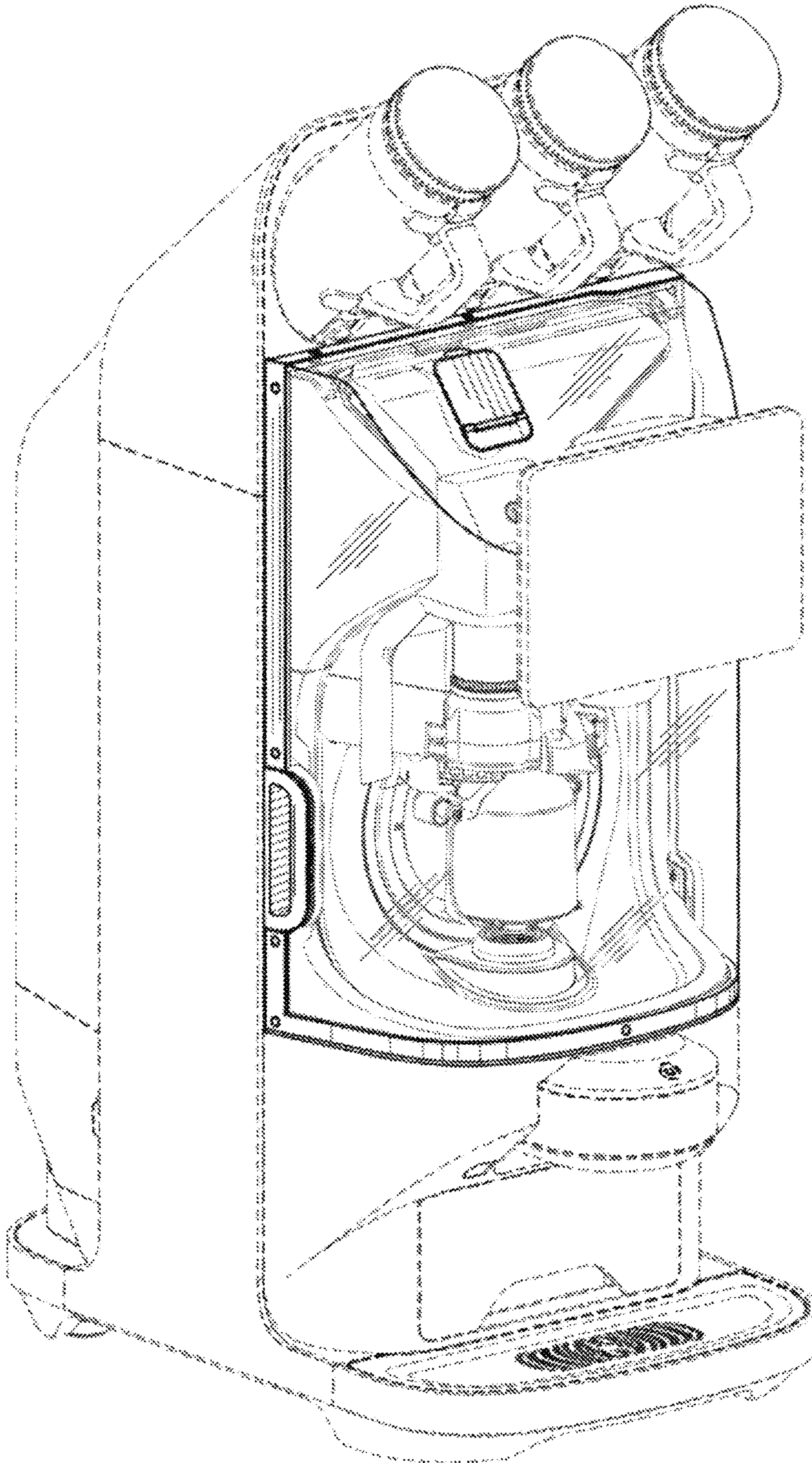


2.6





2.7



2.8

