



US00D891164S

(12) **United States Design Patent**  
**Juncher**

(10) **Patent No.:** **US D891,164 S**

(45) **Date of Patent:** **\*\* Jul. 28, 2020**

(54) **LIFTING COLUMN**

FOREIGN PATENT DOCUMENTS

(71) Applicant: **LINAK A/S**, Nordborg (DK)

EM 000932751-0001 \* 4/2008

(72) Inventor: **Ulrik Juncher**, Sydals (DK)

OTHER PUBLICATIONS

(73) Assignee: **LINAK A/S**, Nordborg (DK)

Linak homepage <https://www.linak.com/products/lifting-columns/bl1/>, retrieved from the internet on Apr. 19, 2018.

(\*\*) Term: **15 Years**

(Continued)

(21) Appl. No.: **29/647,026**

*Primary Examiner* — Mary Ann Calabrese

(22) Filed: **May 9, 2018**

(74) *Attorney, Agent, or Firm* — Renner Otto Boisselle and Sklar LLP

(30) **Foreign Application Priority Data**

Nov. 9, 2017 (DK) ..... 2017 00100

(51) **LOC (12) Cl.** ..... **06-06**

(52) **U.S. Cl.**  
USPC ..... **D6/708.17**

(58) **Field of Classification Search**  
USPC ..... D6/702, 708, 708.16, 708.17, 708.2,  
D6/708.21, 709, 709.21, 712; D15/143,  
D15/148; D34/35

CPC ..... A47B 9/20; A47B 91/005; A47B 91/12;  
A47B 91/16; A47B 2200/0051; A47B  
2200/0054; A61G 13/06; B66F 3/10;  
F16M 13/02

See application file for complete search history.

(56) **References Cited**

U.S. PATENT DOCUMENTS

D619,830 S \* 7/2010 Lund ..... D6/708.17  
D702,271 S \* 4/2014 Lin ..... D15/143  
D710,563 S \* 8/2014 Panzer ..... A47B 9/20  
D25/126  
D770,548 S \* 11/2016 Lin ..... D15/143  
D795,619 S \* 8/2017 Labrosse ..... D6/709  
D810,164 S \* 2/2018 Lin ..... D15/148  
D815,477 S \* 4/2018 Molteni ..... D6/709  
10,400,945 B2 \* 9/2019 Panzer ..... B66F 3/08  
2018/0303233 A1 \* 10/2018 DeGroot ..... A47B 9/20

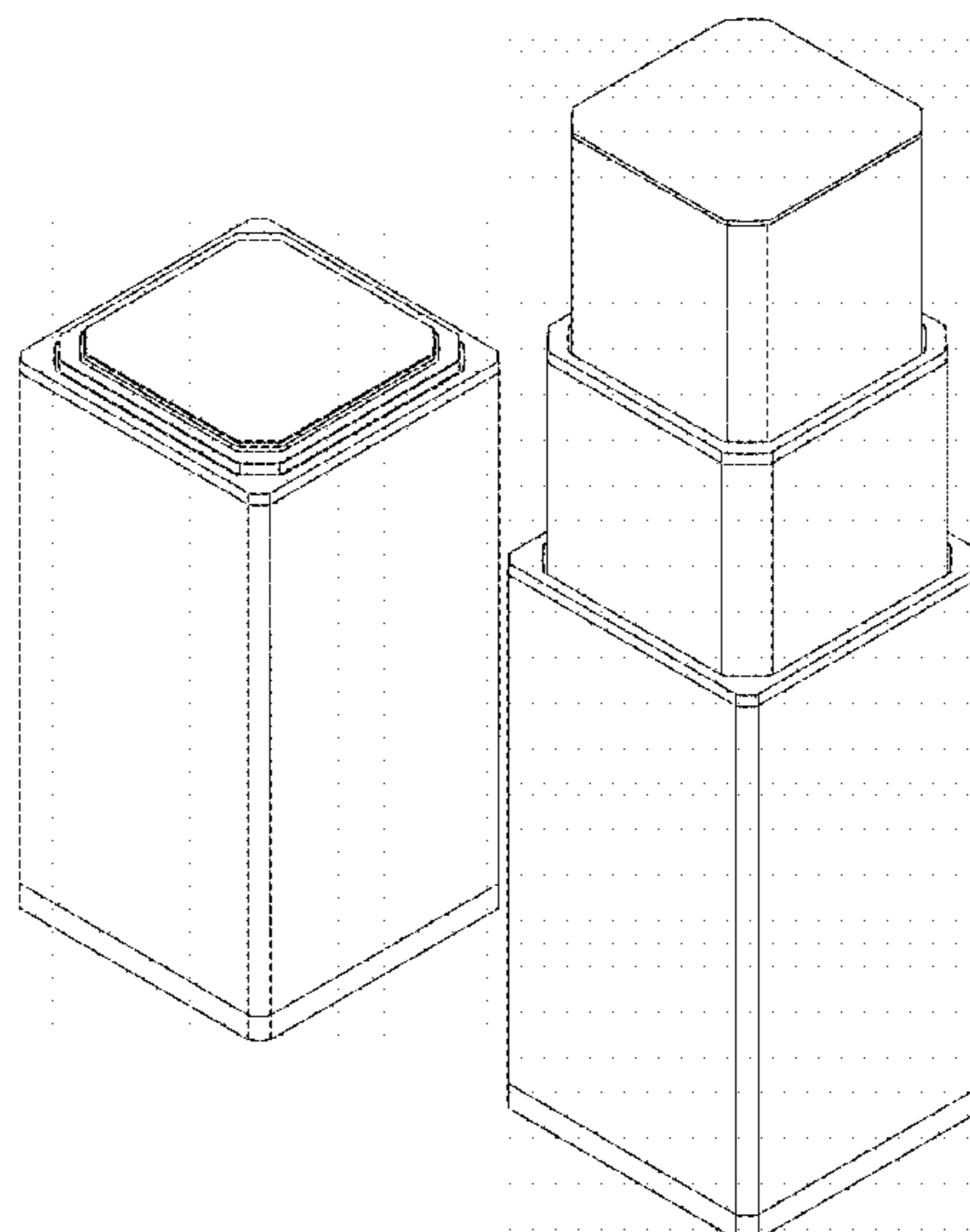
(57) **CLAIM**

The ornamental design for a lifting column, as shown and described.

**DESCRIPTION**

FIG. 1 is a top, left, front perspective view of a lifting column showing my new design in a retracted state;  
FIG. 2 is a bottom, left, rear perspective view thereof;  
FIG. 3 is a front elevation view thereof;  
FIG. 4 is a rear elevation view thereof;  
FIG. 5 is a left side elevation view thereof;  
FIG. 6 is a right side elevation view thereof;  
FIG. 7 is a top plan view thereof;  
FIG. 8 is a bottom plan view thereof;  
FIG. 9 is a top, left, front perspective view of a lifting column showing my new design in an extended state;  
FIG. 10 is a bottom, left, rear perspective view thereof;  
FIG. 11 is a front elevation view thereof;  
FIG. 12 is a rear elevation view thereof;  
FIG. 13 is a left side elevation view thereof;  
FIG. 14 is a right side elevation view thereof;  
FIG. 15 is a top plan view thereof; and,  
FIG. 16 is a bottom plan view thereof.

**1 Claim, 16 Drawing Sheets**



(56)

**References Cited**

OTHER PUBLICATIONS

SKF homepage <http://www.skf.com/group/products/motion-technologies/actuation-systems/telescopic-pillars/index.htm>, retrieved from the internet on Apr. 19, 2018.

TiMotion homepage <https://www.timotion.com/products/3>, retrieved from the internet on Apr. 19, 2018.

\* cited by examiner

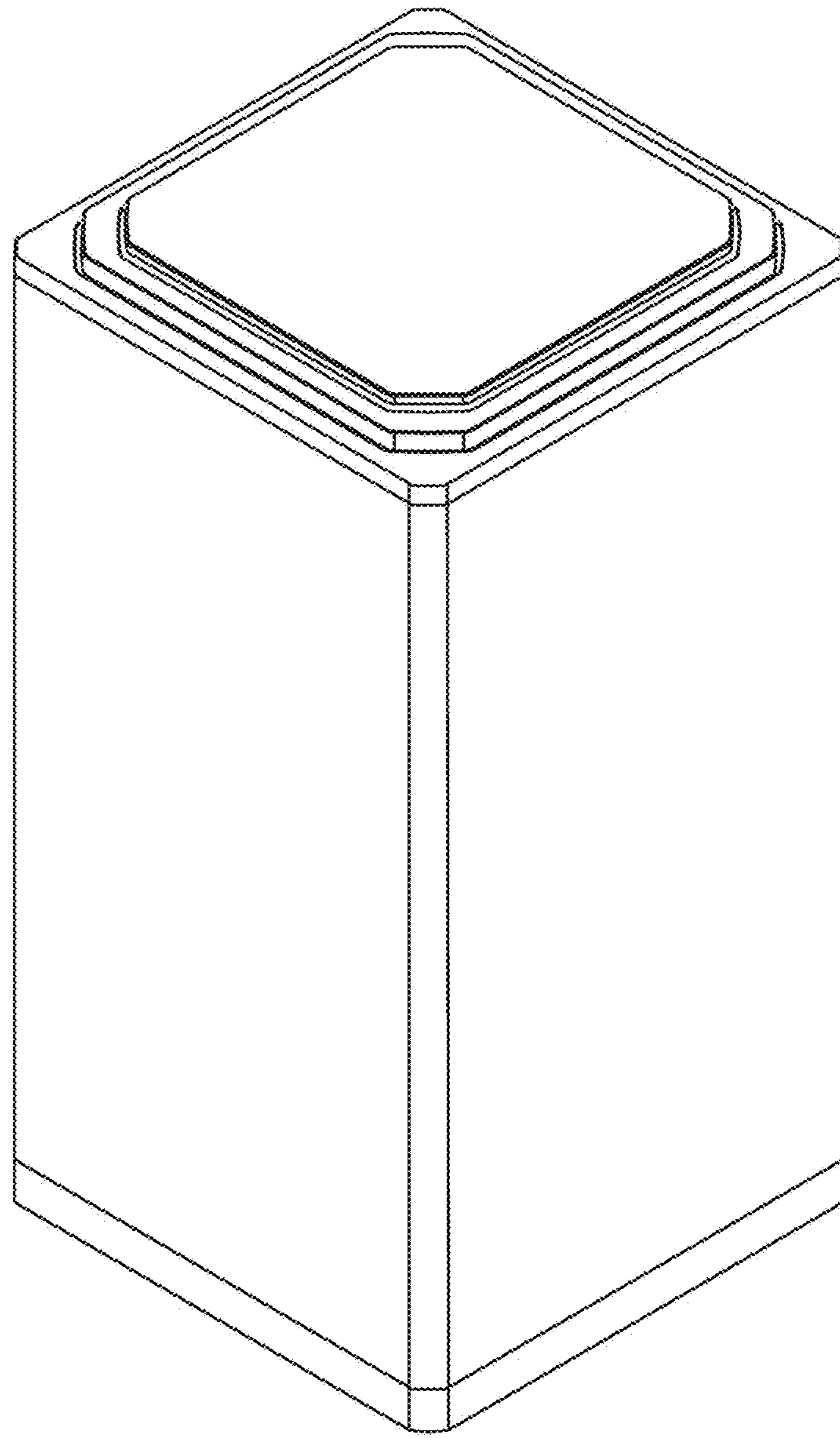


FIG. 1

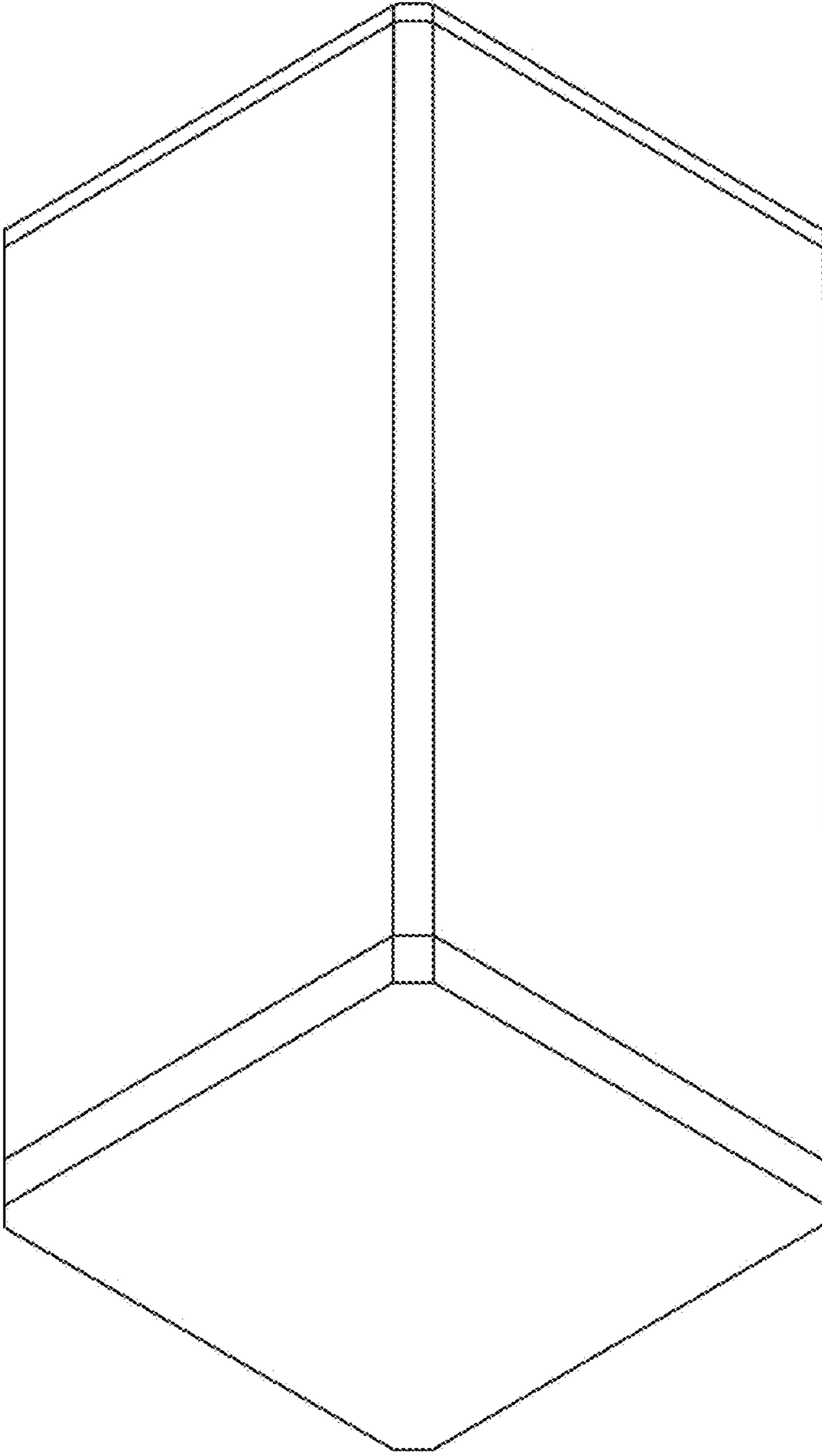


FIG. 2

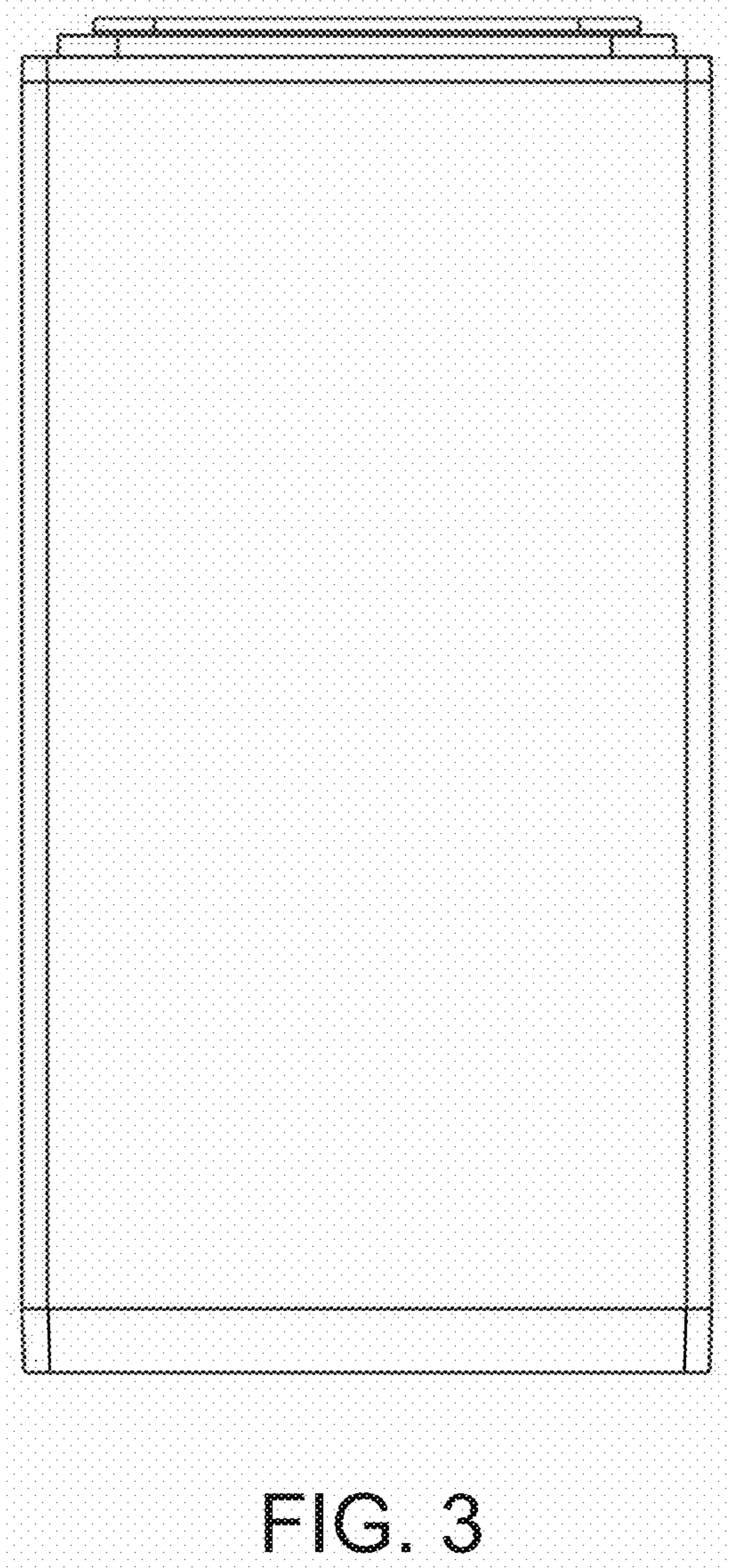


FIG. 3

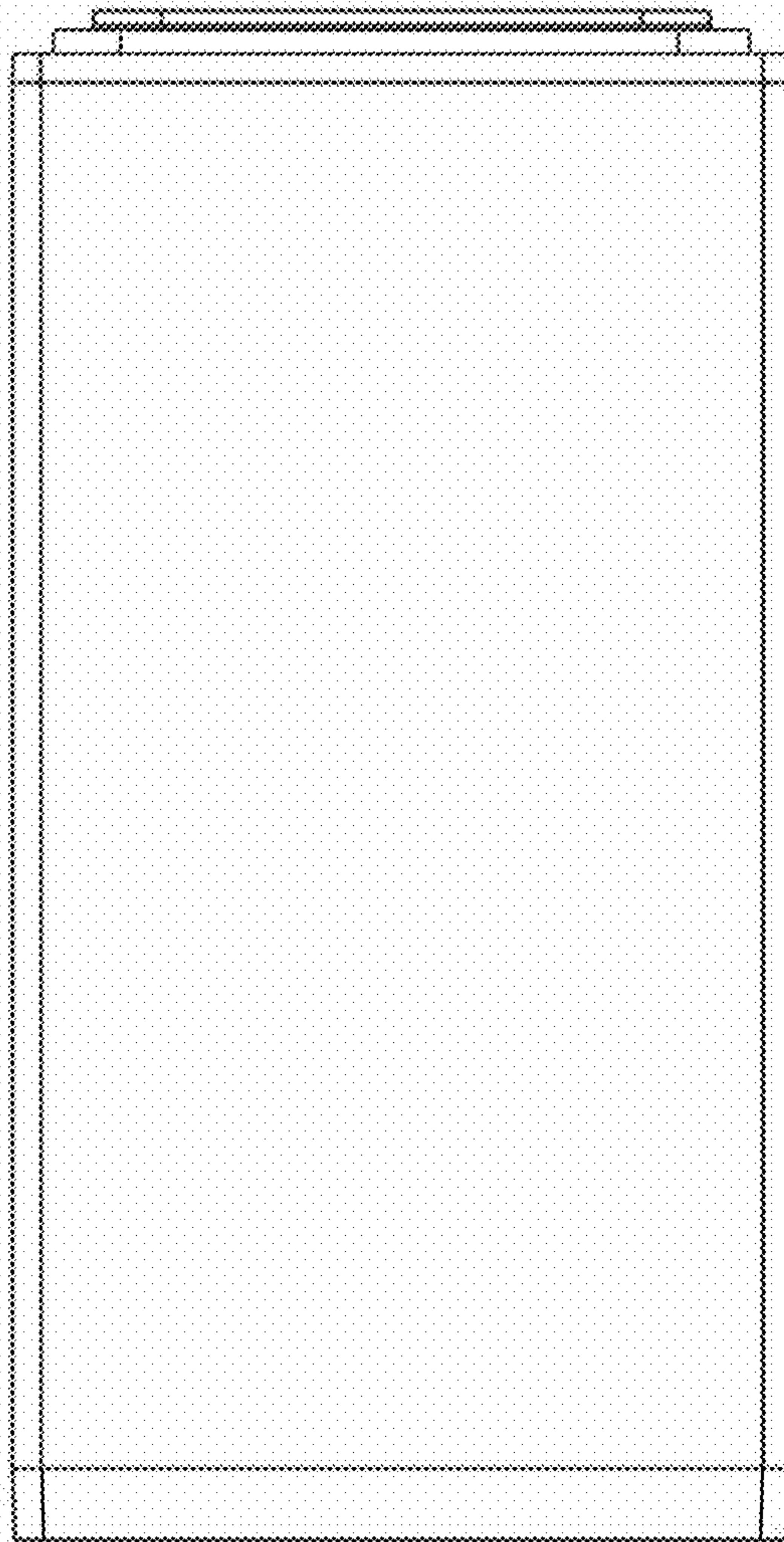


FIG. 4

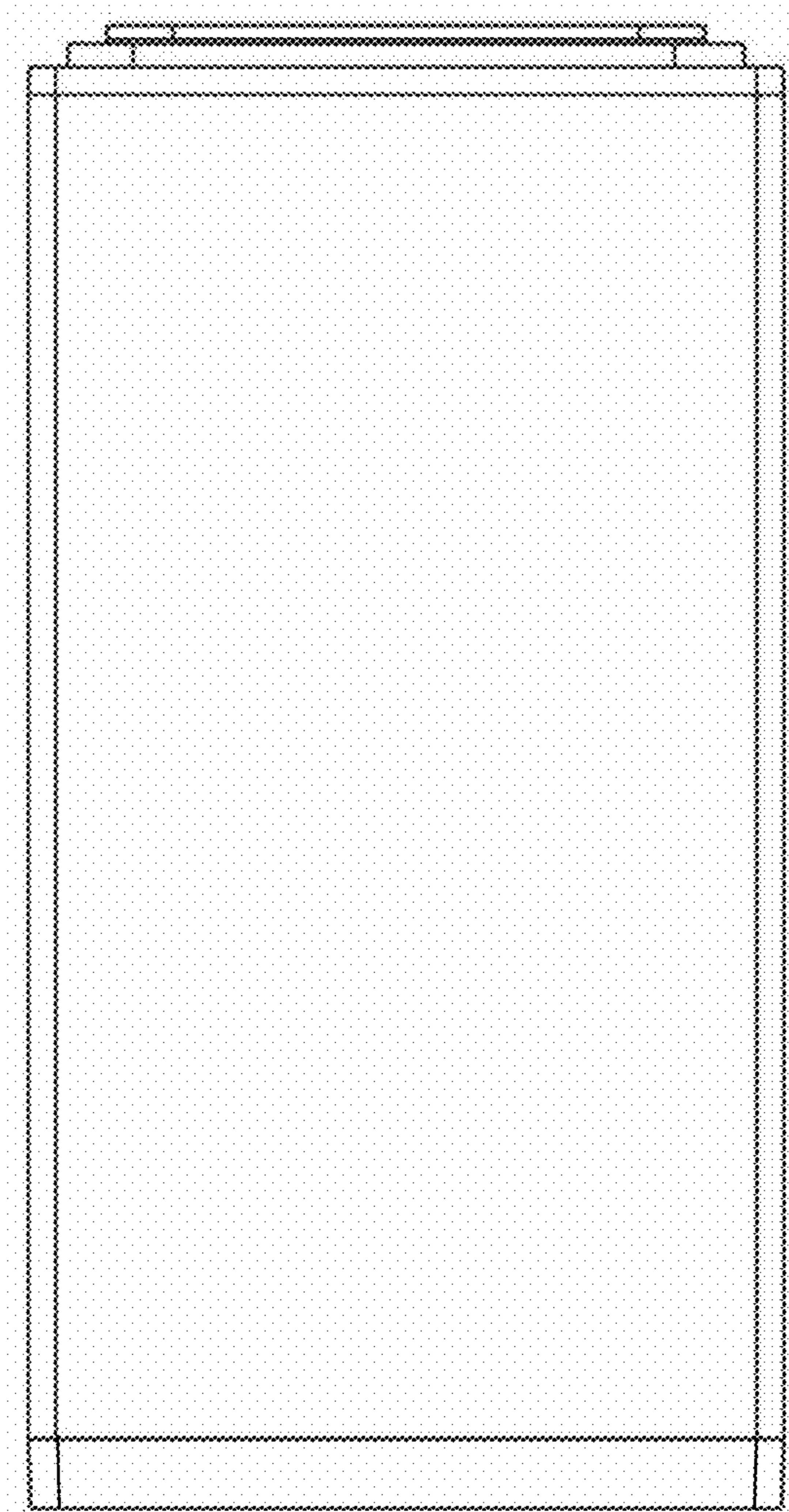


FIG. 5

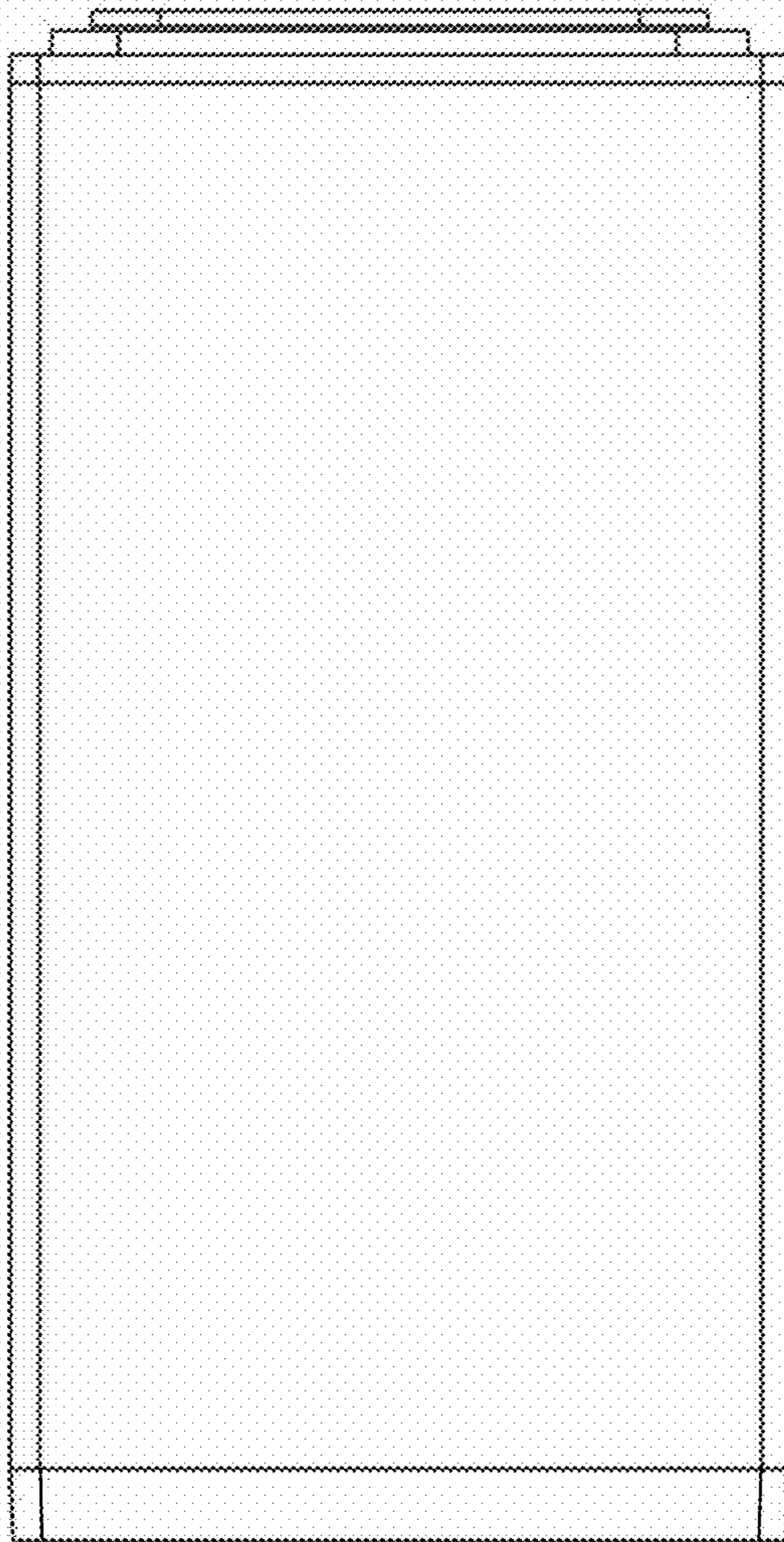


FIG. 6



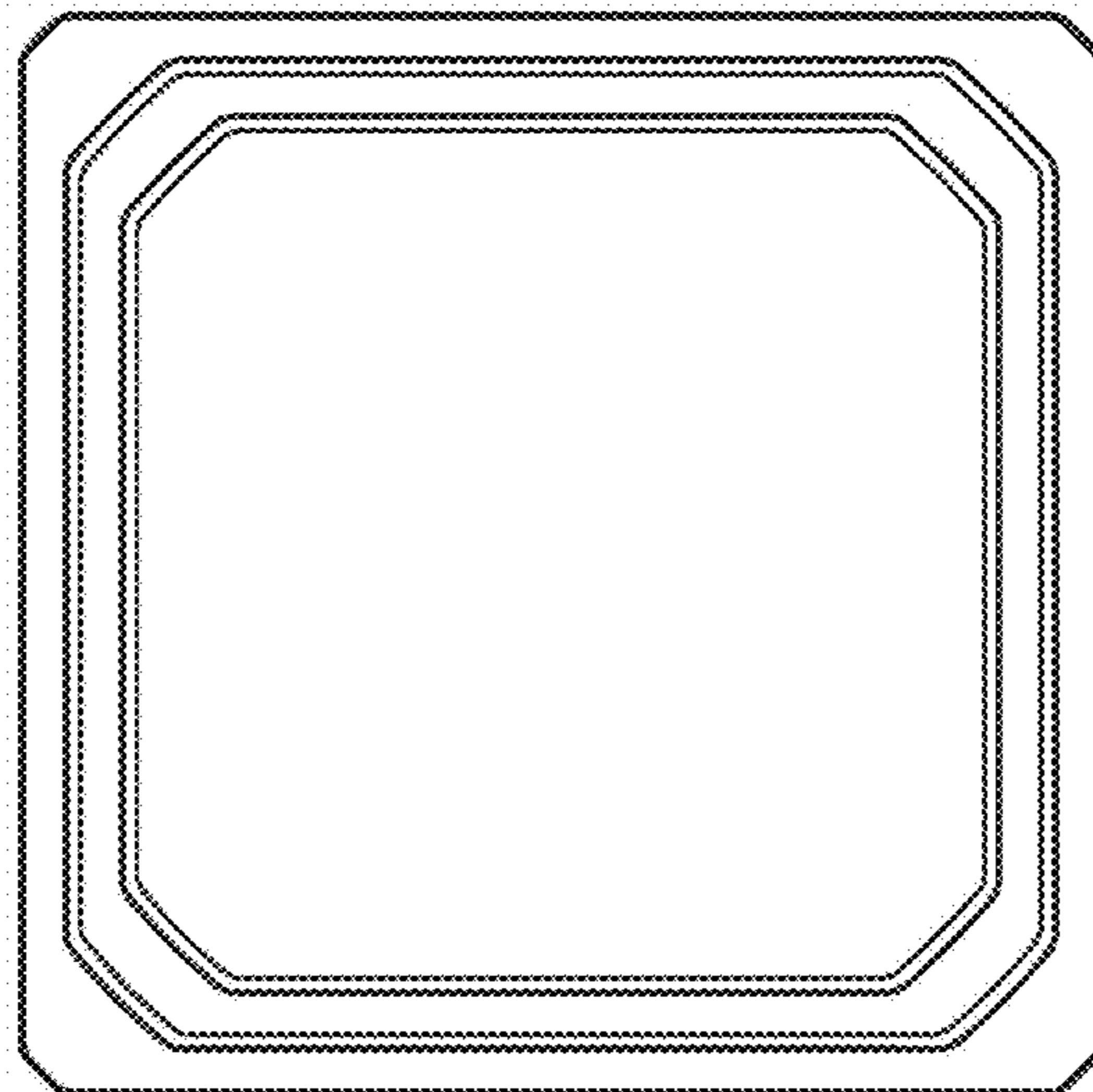


FIG. 7

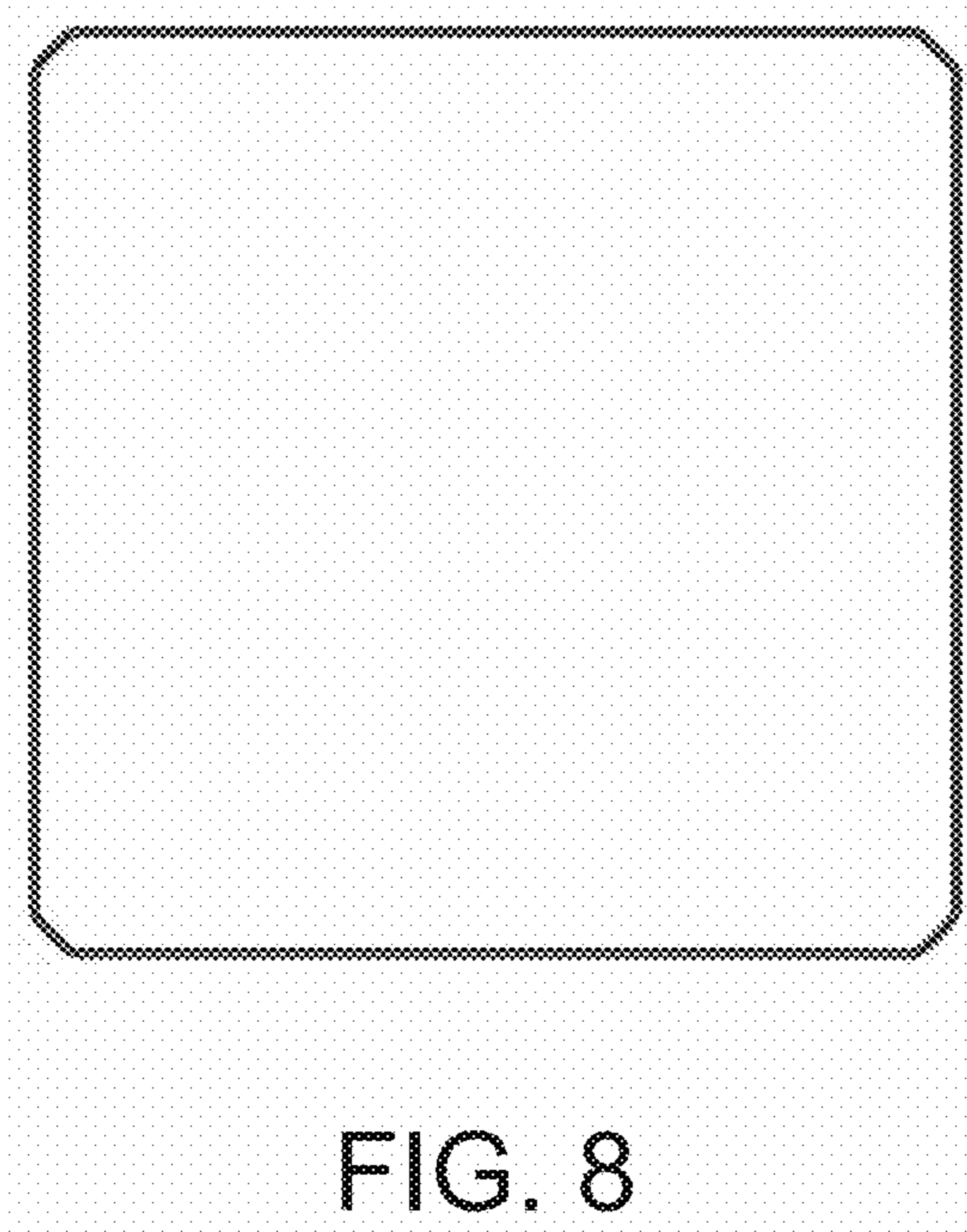


FIG. 8

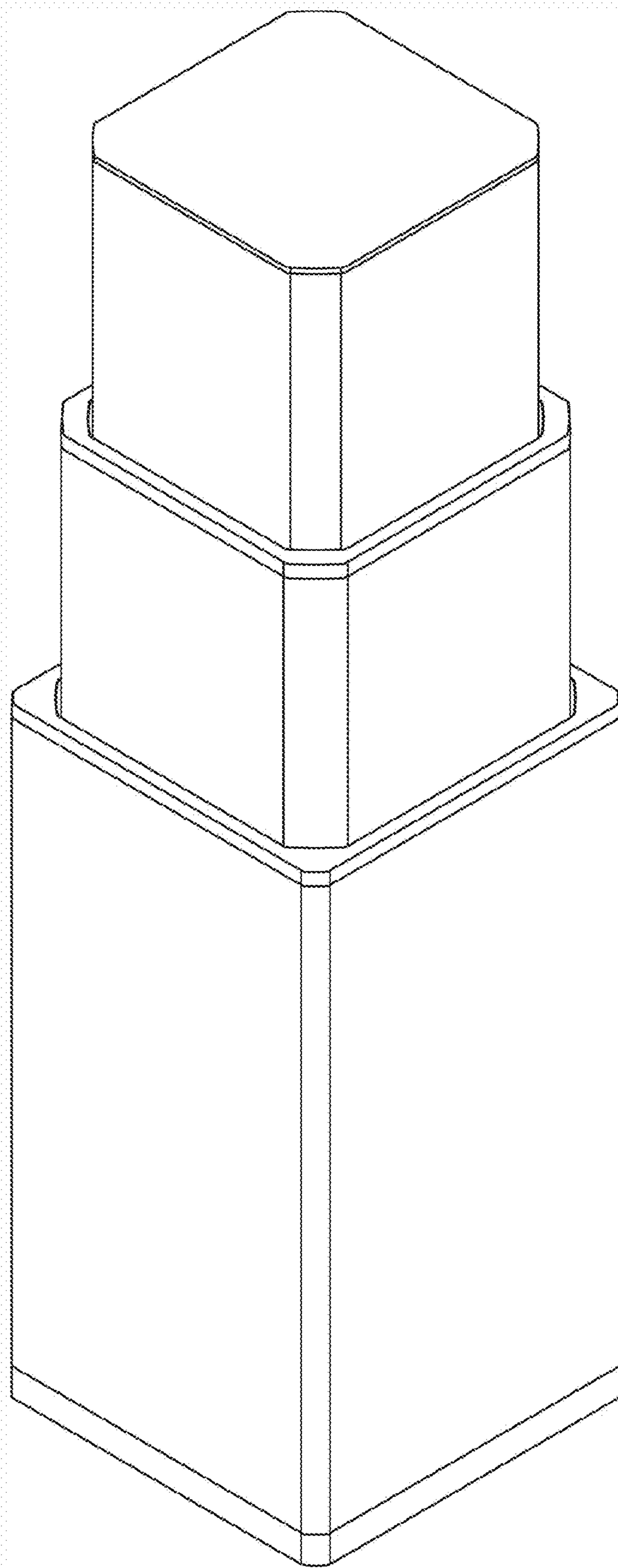


FIG. 9

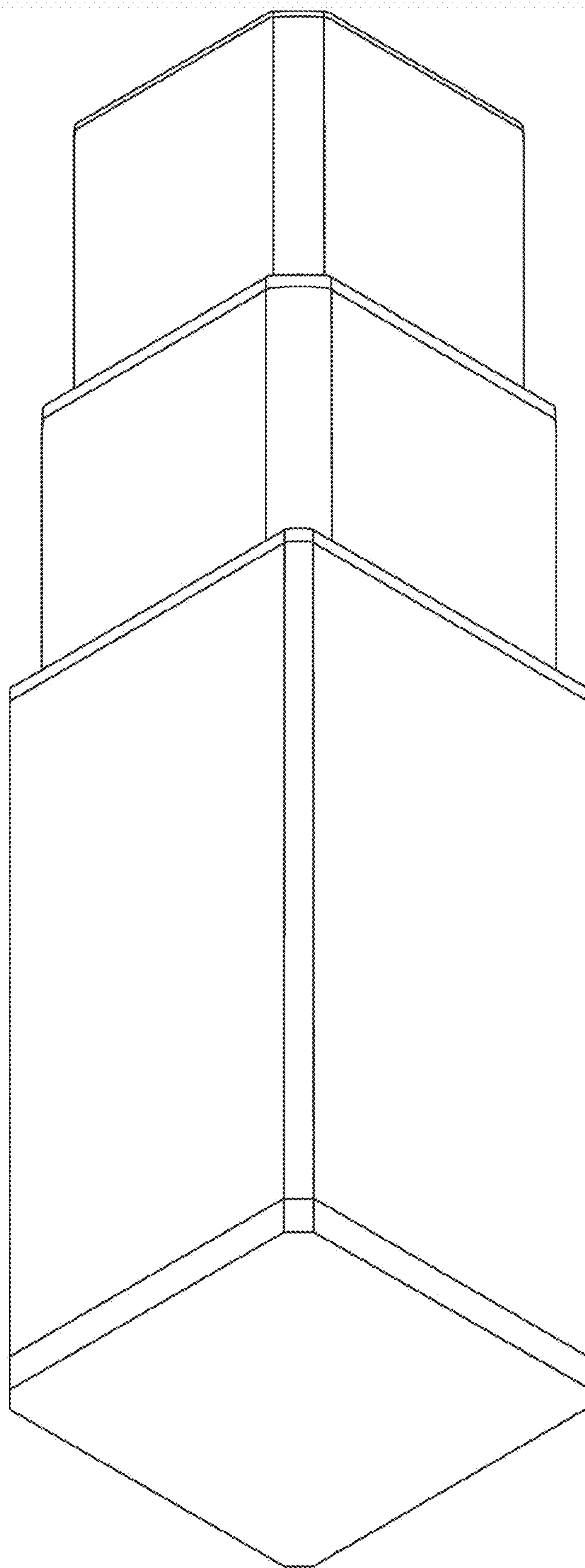


FIG. 10

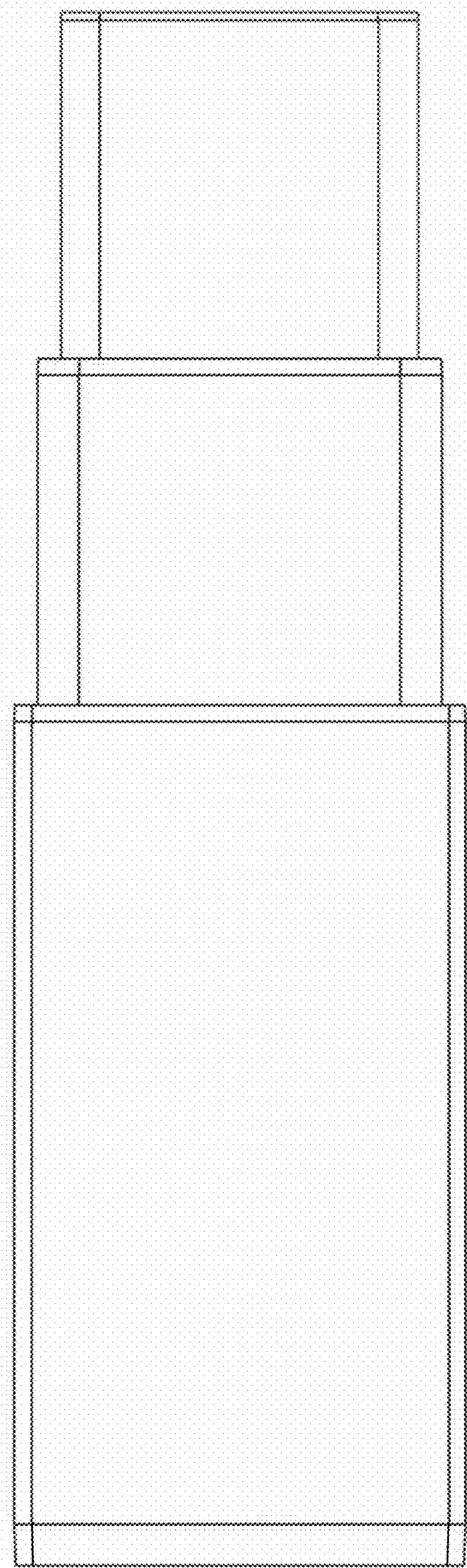


FIG. 11

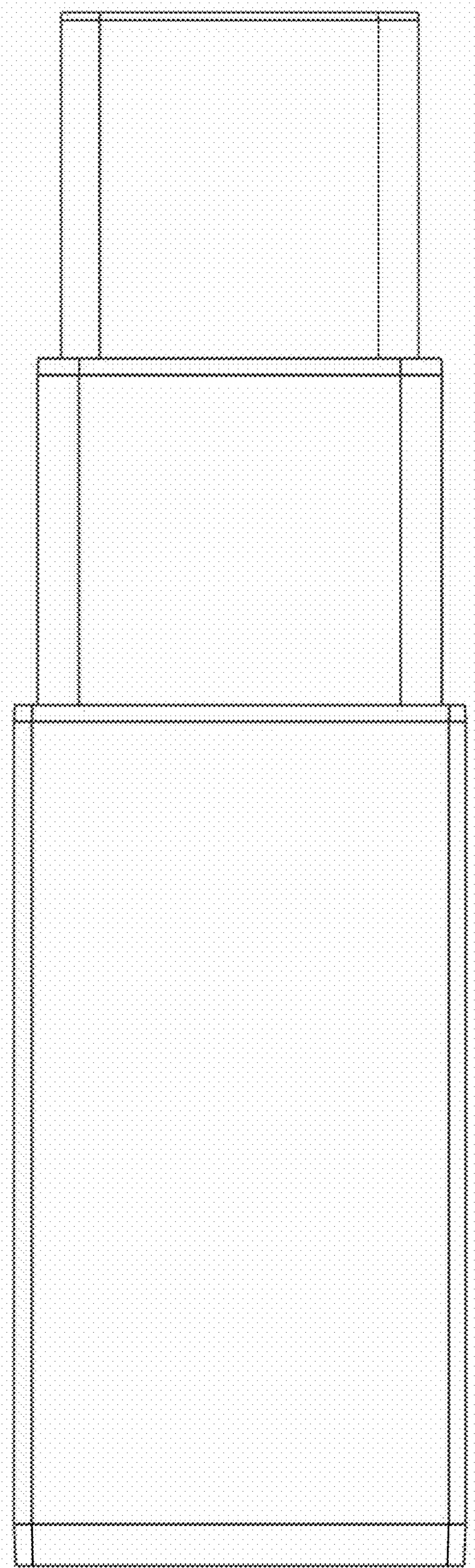


FIG. 12

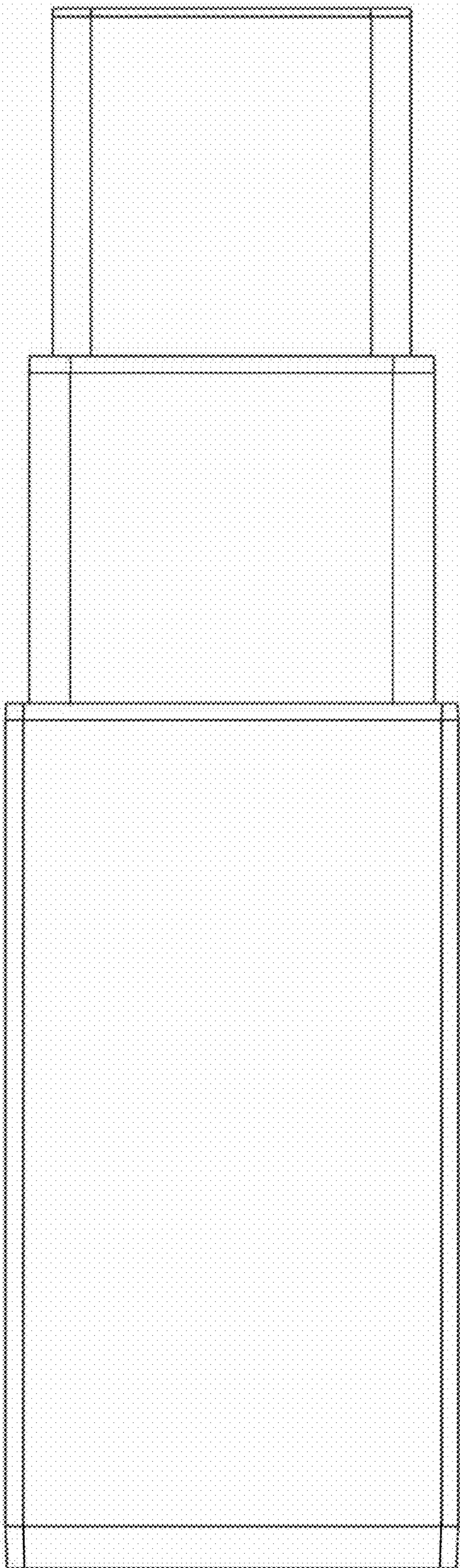


FIG. 13

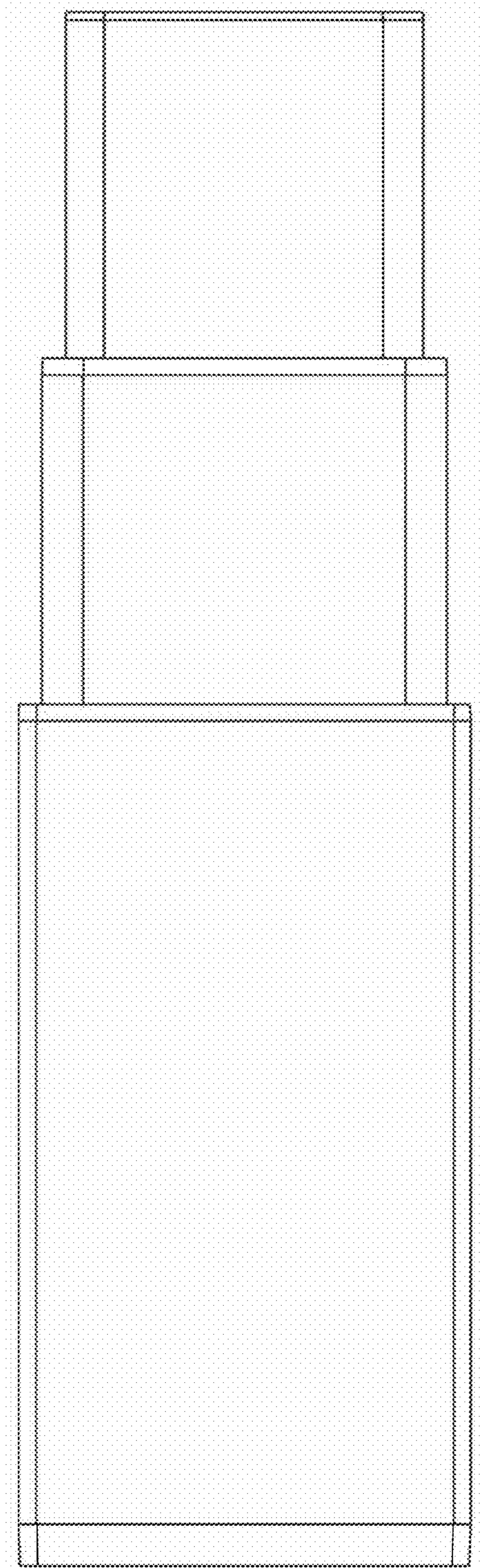


FIG. 14



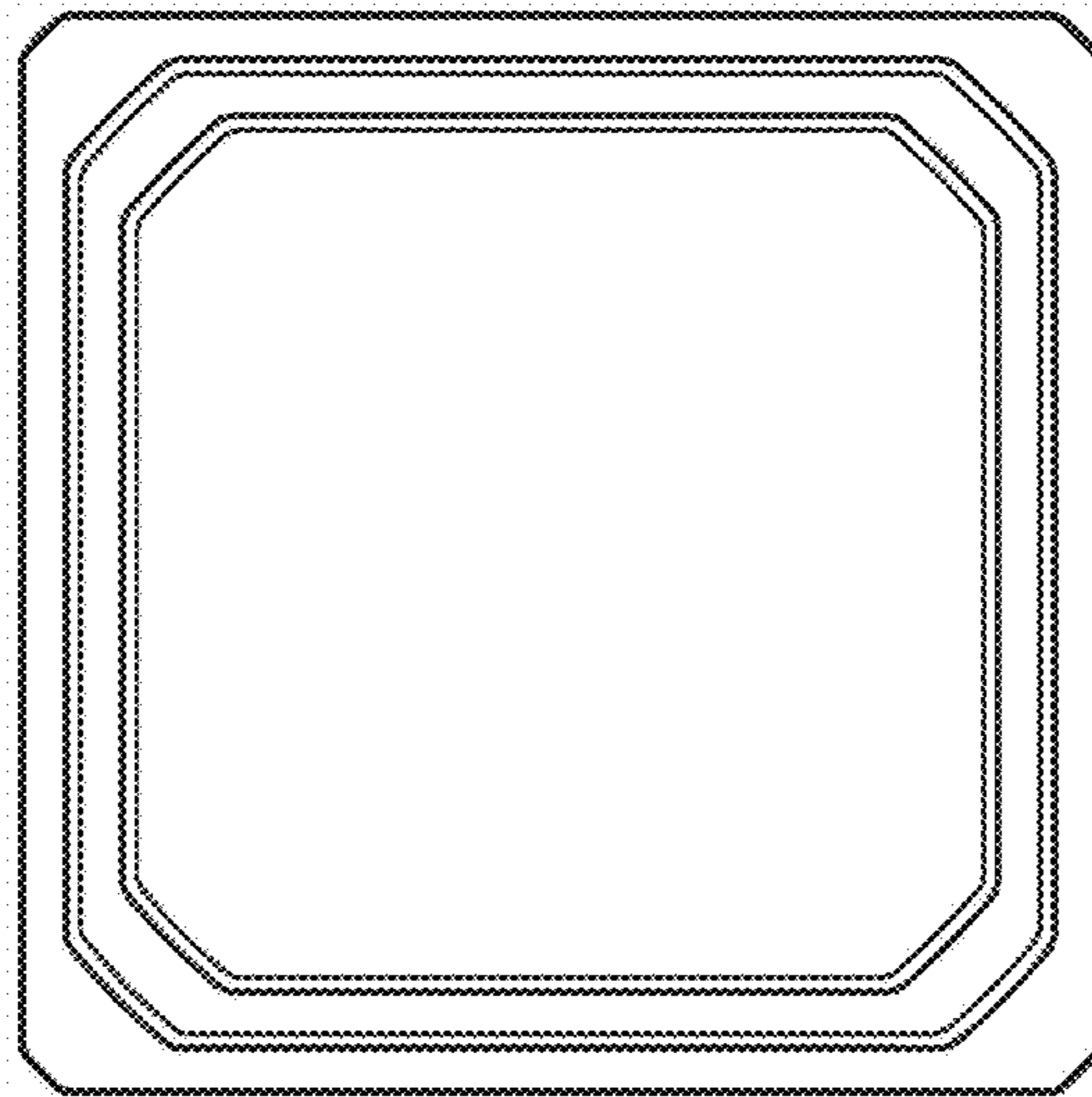


FIG. 15

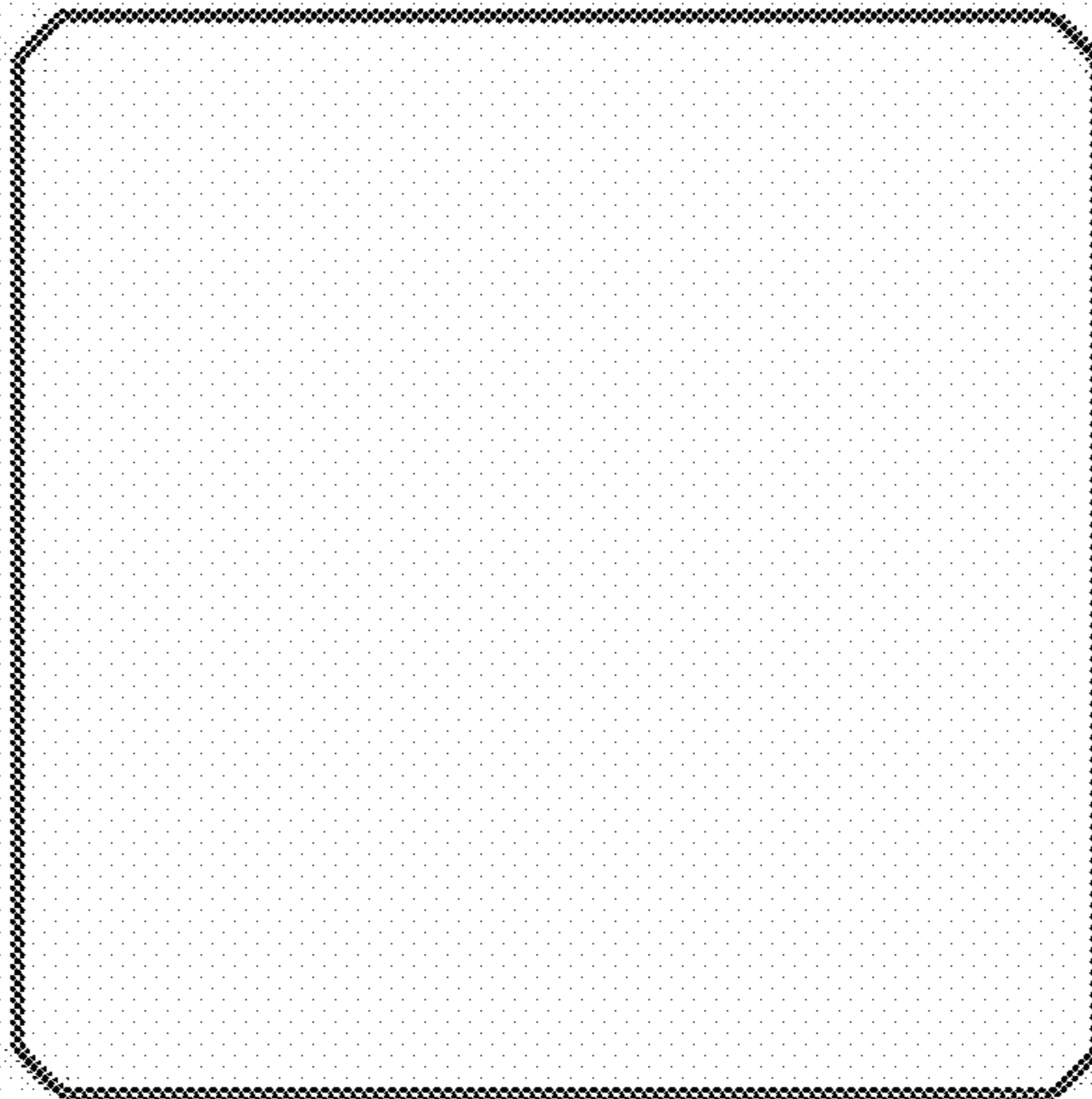


FIG. 16