



US00D891163S

(12) **United States Design Patent**
Laitila et al.

(10) **Patent No.:** **US D891,163 S**
(45) **Date of Patent:** **** Jul. 28, 2020**

- (54) **CHECKOUT COUNTER**
- (71) Applicant: **MTR HOLDINGS INC.**, Peterborough (CA)
- (72) Inventors: **Mika Laitila**, Peterborough (CA); **Toni Laitila**, Peterborough (CA); **Antero Laitila**, Peterborough (CA)
- (73) Assignee: **MTR HOLDINGS INC.**, Peterborough (CA)
- (**) Term: **15 Years**
- (21) Appl. No.: **29/627,221**
- (22) Filed: **Nov. 23, 2017**
- (51) **LOC (12) Cl.** **06-03**
- (52) **U.S. Cl.**
USPC **D6/698**
- (58) **Field of Classification Search**
USPC D6/641, 644, 647, 649, 650, 651.1, D6/651.2, 655, 656, 656.16, 658, 691, D6/692, 692.1-692.6, 695, 695.4, 697.1, D6/698, 699, 699.4, 702, 703, 705.1, 707, D6/707.2, 707.22
CPC .. A47B 37/00; A47B 3/00; A47B 1/00; A47B 3/06; A47B 3/08; A47B 7/00; A47B 21/00; A47B 23/00; A47B 25/00; A47B 13/08; A47B 3/083; A47B 3/14; A47B 41/00; A47B 17/00; A47B 3/0809; A47B 3/0812; A47B 2013/026; A47B 2200/03; A47B 2200/00; A47B 2003/0821; A47C 3/045
See application file for complete search history.

- D193,079 S * 6/1962 Hittinger D6/698
- 3,262,519 A * 7/1966 Cohen A47F 9/04 186/66
- D241,996 S * 10/1976 Fenwick D6/698
- D241,997 S * 10/1976 Fenwick D6/698
- D264,654 S * 6/1982 Langen D6/698
- D283,181 S * 4/1986 McMillion D6/698

(Continued)

Primary Examiner — Mary Ann Calabrese
Assistant Examiner — Catherine Ho
(74) *Attorney, Agent, or Firm* — Conneely PC; Joseph Conneely

(57) **CLAIM**

The ornamental design for a checkout counter, as shown and described.

DESCRIPTION

FIG. 1 is a front left side perspective view of a checkout counter according to the design;
FIG. 2 is an enlarged front left side perspective fragmentary view of the upper end portion of the checkout counter shown in FIG. 1;
FIG. 3 is a front right side perspective view of the checkout counter of FIG. 1;
FIG. 4 is a rear right side perspective view thereof;
FIG. 5 is a rear left side perspective view thereof;
FIG. 6 is a left side view thereof;
FIG. 7 is a right side view thereof;
FIG. 8 is a rear view thereof;
FIG. 9 is a front view thereof; and,
FIG. 10 is a reduced top view thereof.

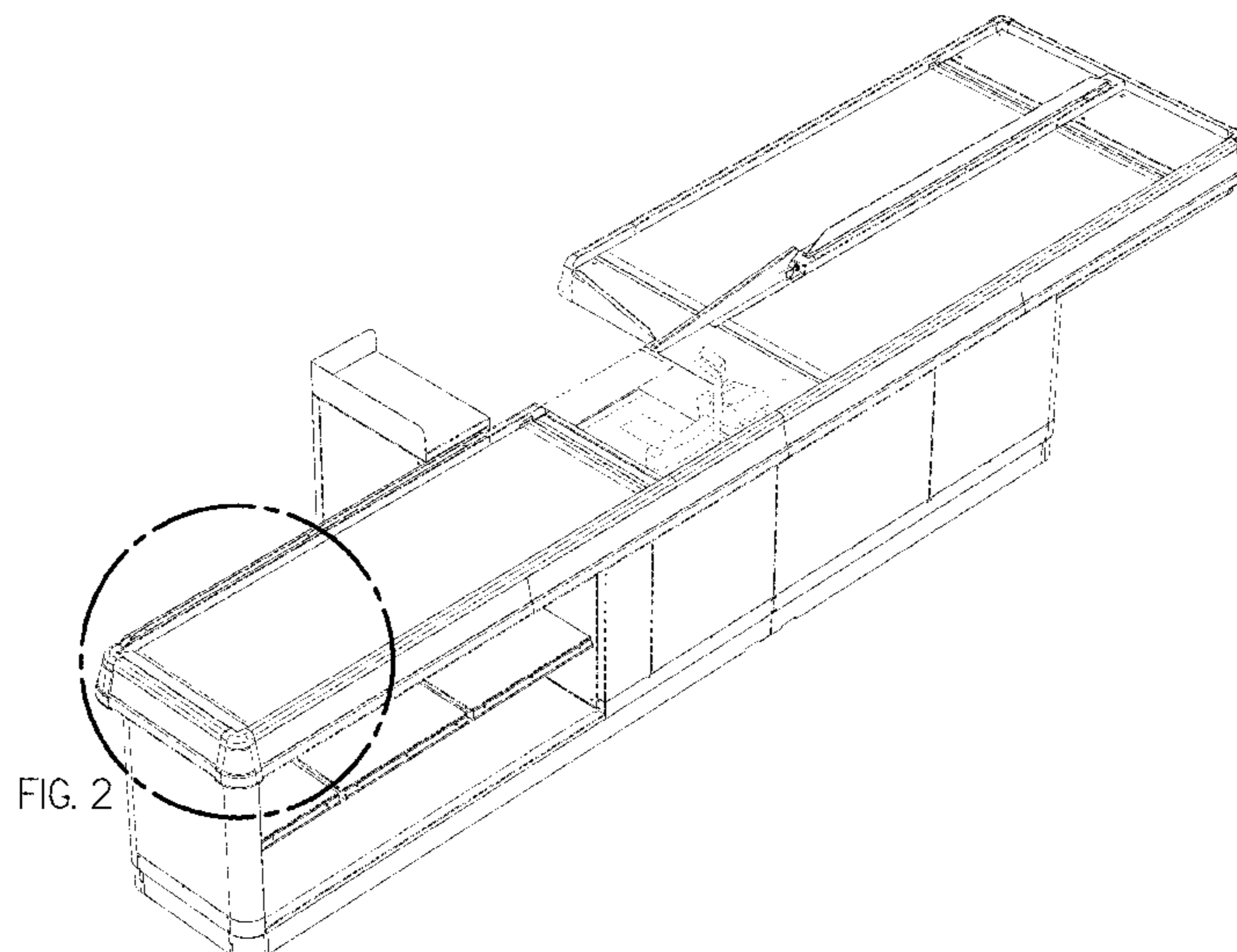
All broken line portion of the figure drawings are included to show portions of the article that form no part of the claimed design. The dot-dash broken lines in FIG. 1 encircling a portion of the claimed design that is illustrated in an enlarged view in FIG. 2 form no part of the claimed design. The dot-dash broken lines in FIG. 2 indicate the outermost limits of the enlarged area encircled in FIG. 1 and form no part of the claimed design.

(56) **References Cited**

U.S. PATENT DOCUMENTS

- 2,625,241 A * 1/1953 Smith A47F 9/04 186/68
- D192,545 S * 4/1962 Schild D6/698

1 Claim, 10 Drawing Sheets



(56)

References Cited

U.S. PATENT DOCUMENTS

D283,379 S * 4/1986 Adams D6/698
5,167,301 A * 12/1992 Cappi A47F 9/043
186/66
5,252,814 A * 10/1993 Tooley G06K 7/10871
186/61
6,155,381 A * 12/2000 White A47F 9/047
186/68
6,533,073 B2 * 3/2003 Chernik, Jr. A47F 9/04
186/66

* cited by examiner

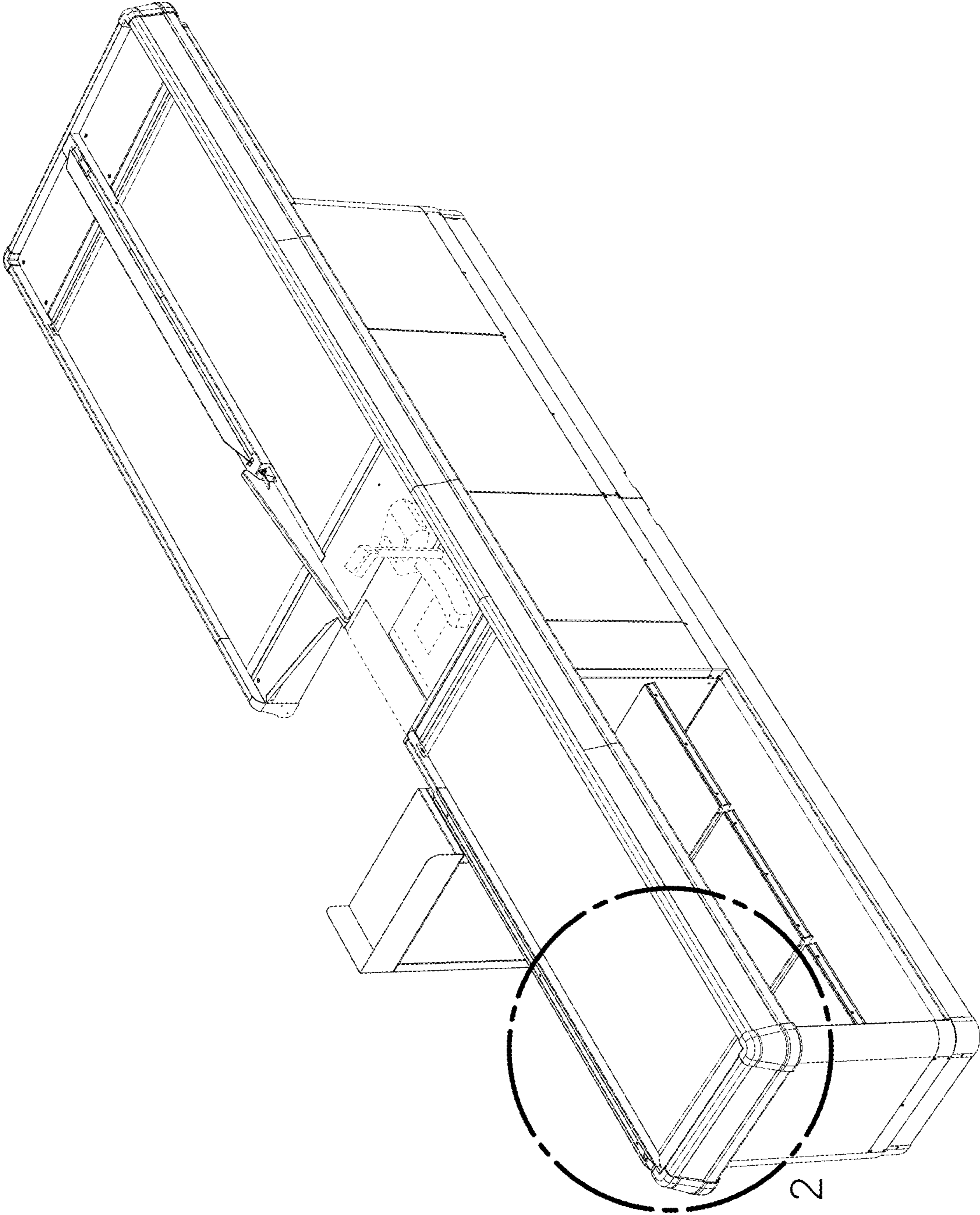


FIG. 1

FIG. 2

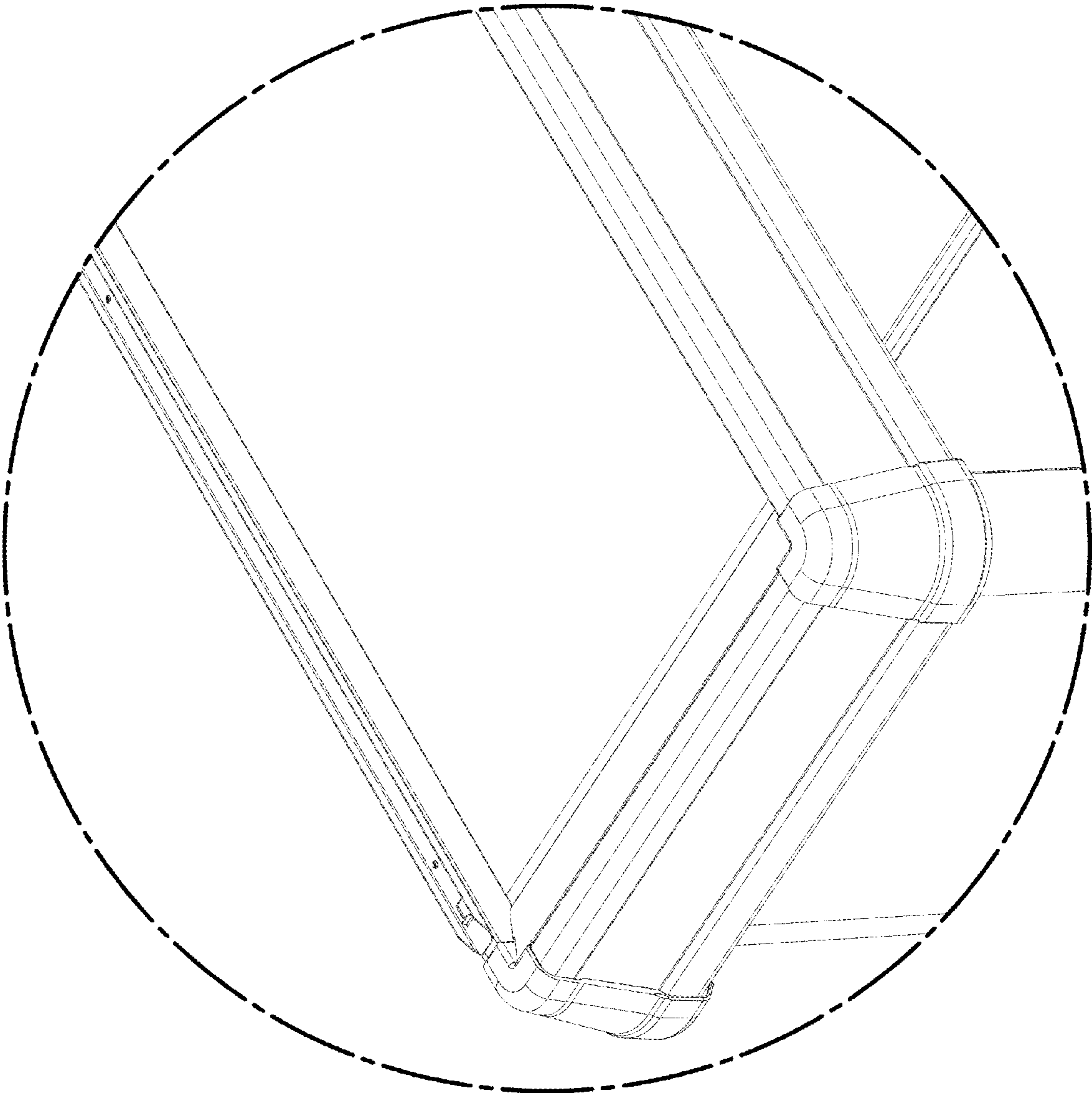


FIG. 2

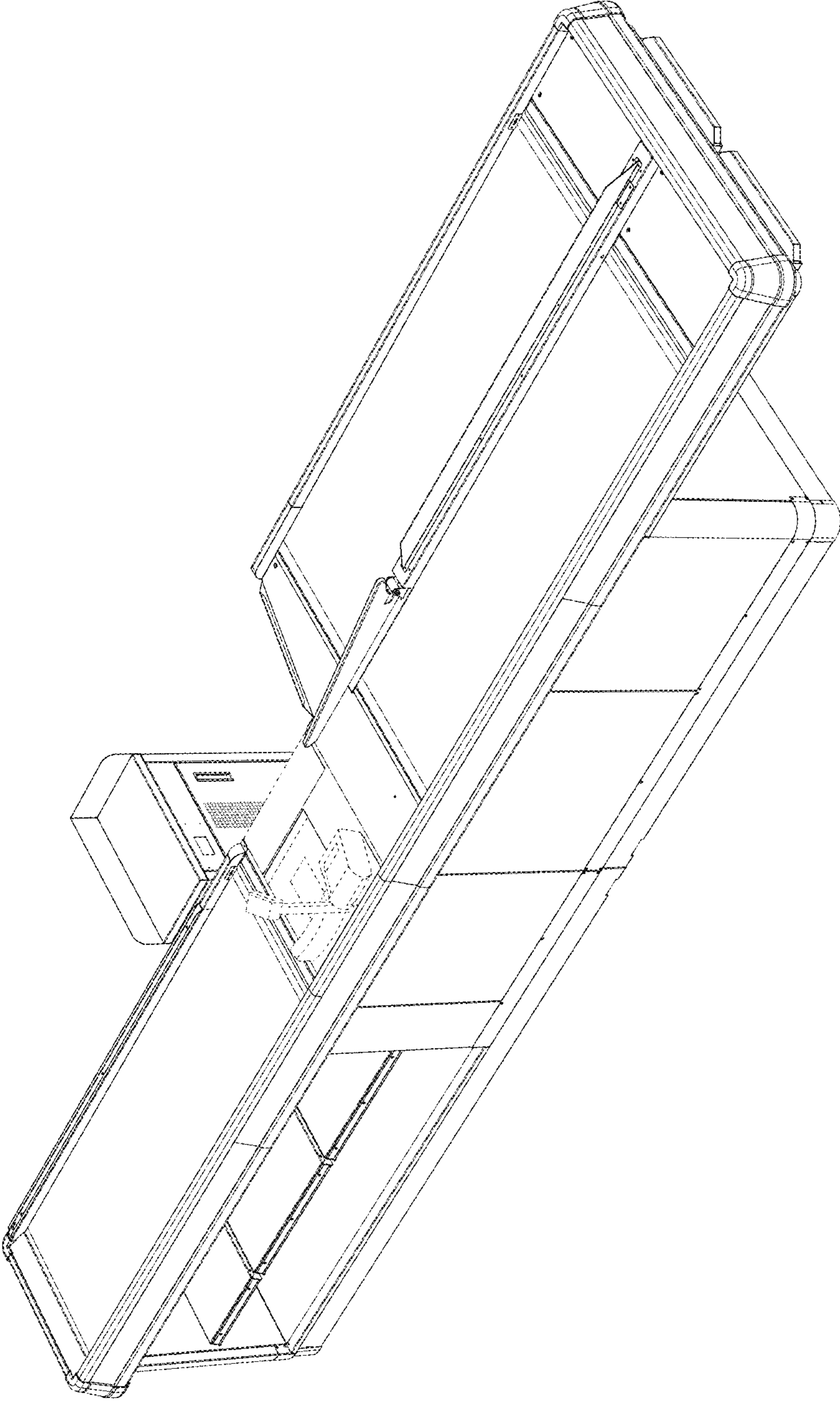


FIG. 3

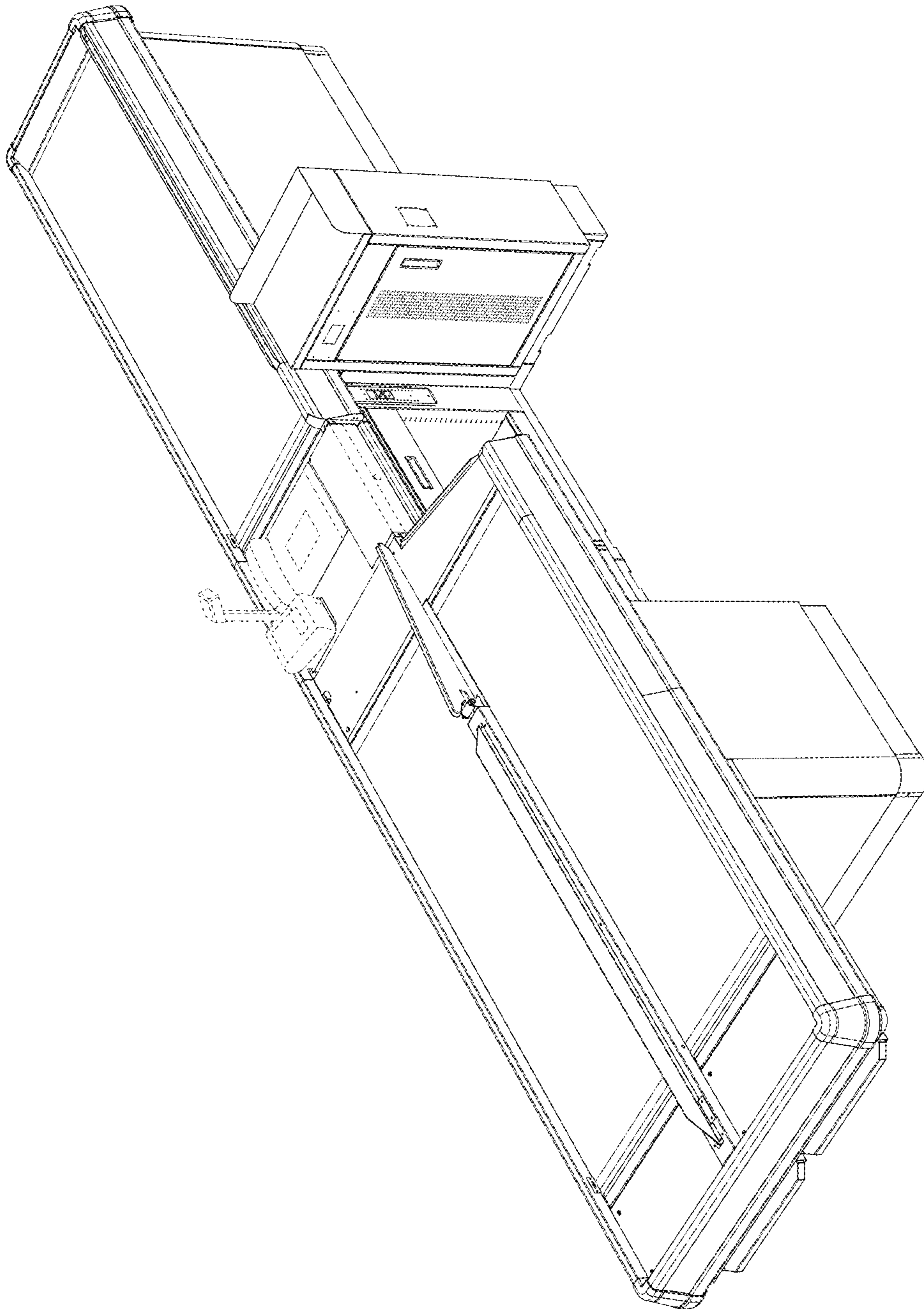


FIG. 4

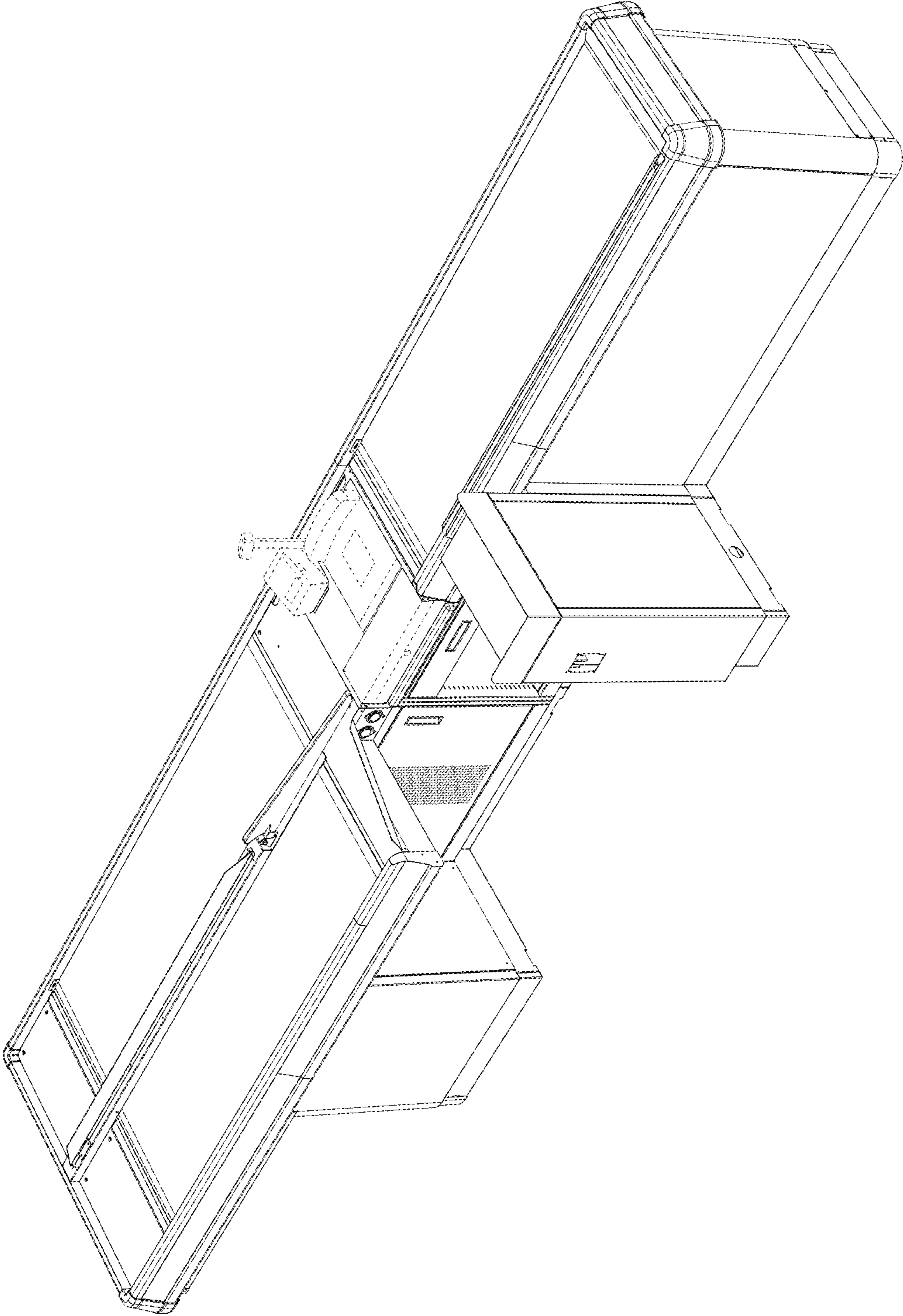


FIG. 5

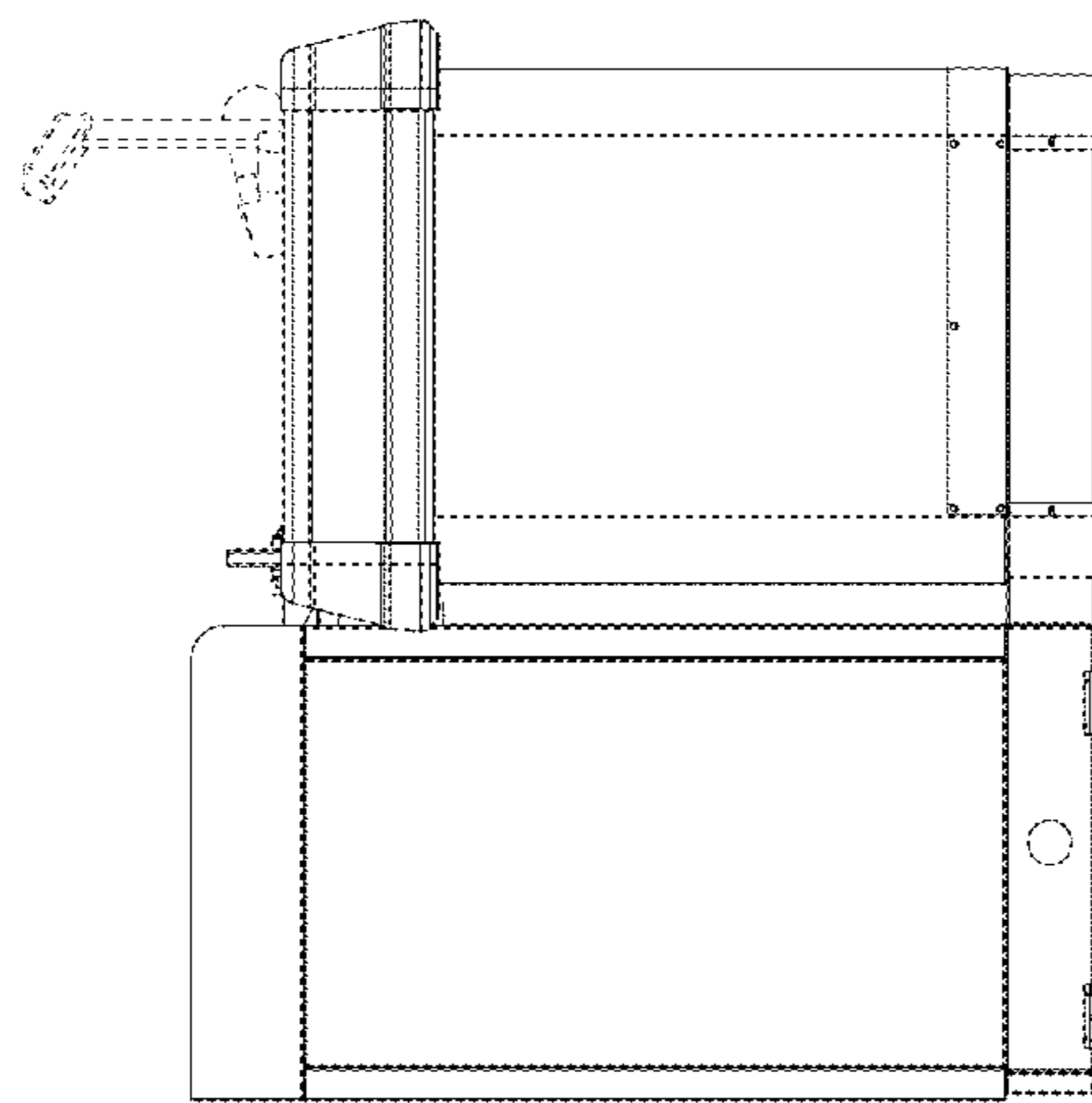


FIG. 6

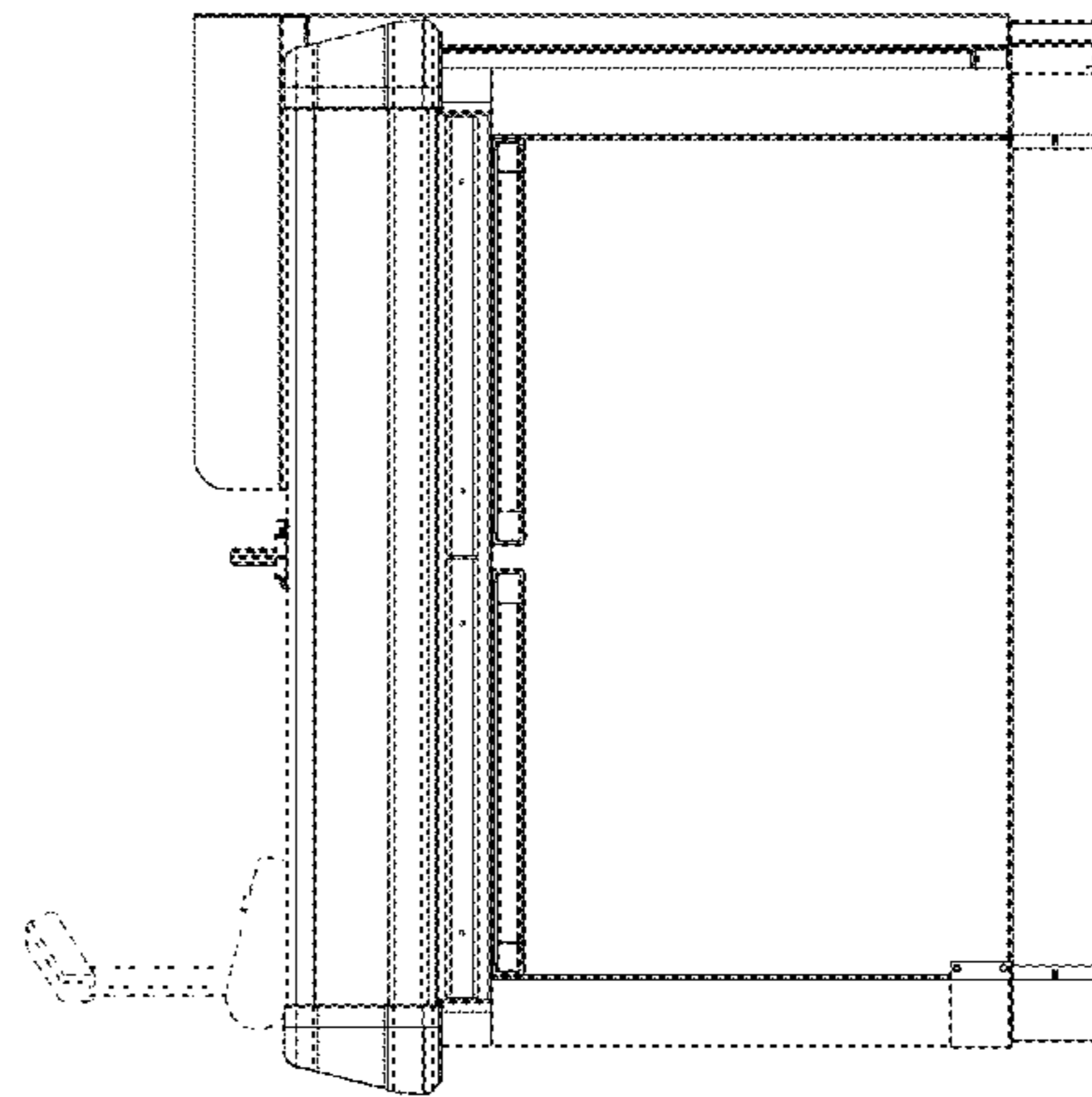


FIG. 7

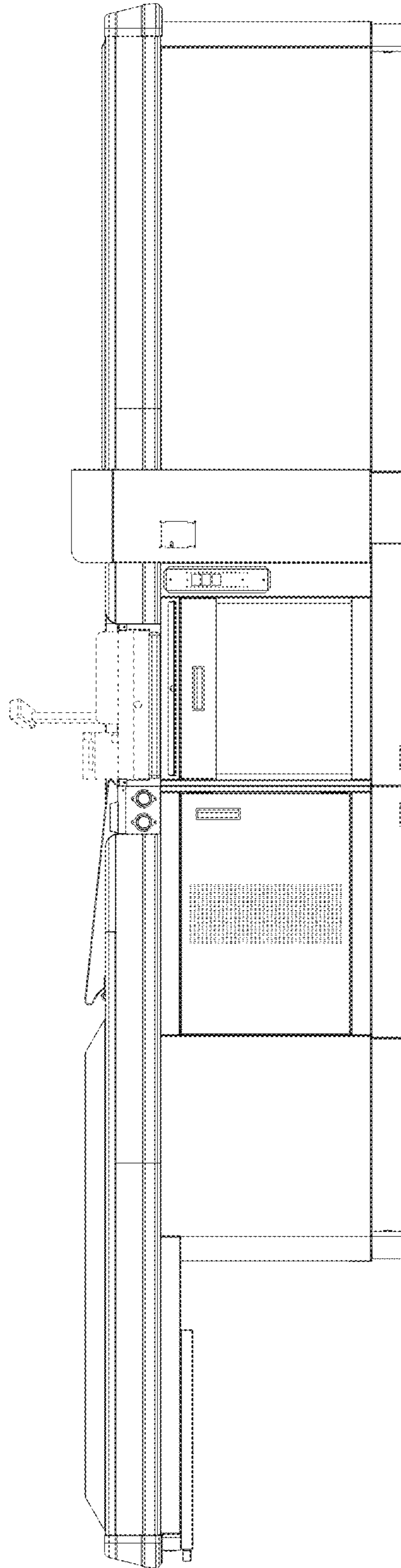


FIG. 8

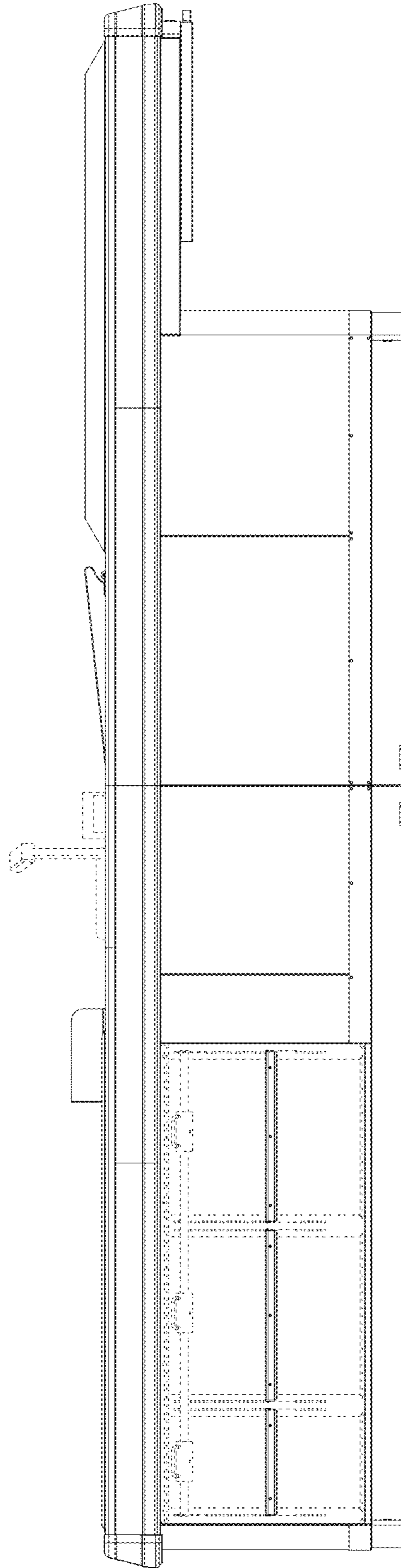


FIG. 9

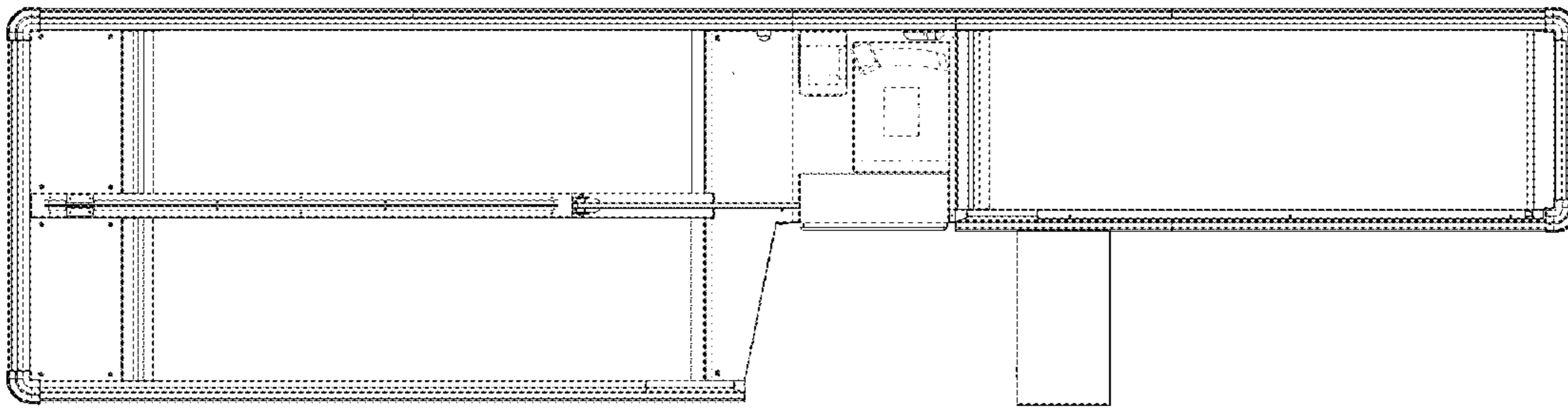


FIG. 10