



US00D891161S

(12) **United States Design Patent**
Velez

(10) **Patent No.:** **US D891,161 S**

(45) **Date of Patent:** **** Jul. 28, 2020**

(54) **TABLE**

(71) Applicant: **Holly Hunt Enterprises, Inc.**, Chicago, IL (US)

(72) Inventor: **Alberto Velez**, Chicago, IL (US)

(73) Assignee: **HOLLY HUNT ENTERPRISES, INC.**, Chicago, IL (US)

(**) Term: **15 Years**

(21) Appl. No.: **29/650,686**

(22) Filed: **Jun. 8, 2018**

(51) **LOC (12) Cl.** **06-03**

(52) **U.S. Cl.**
USPC **D6/691.9; D6/691.6**

(58) **Field of Classification Search**
USPC D6/668, 672, 685, 686, 688, 688.11, D6/688.19, 691.1, 691.6, 691.9, 692, D6/692.3, 692.5, 694, 695, 695.2, 696, D6/696.1, 696.2, 696.3, 697, 698, 699, D6/699.2, 701, 707, 707.22, 707.23, D6/707.24, 709

CPC .. A47B 37/00; A47B 3/00; A47B 1/00; A47B 3/06; A47B 3/08; A47B 7/00; A47B 21/00; A47B 23/00; A47B 25/00; A47B 13/08; A47B 3/083; A47B 3/14; A47B 41/00; A47B 17/00; A47B 3/0809; A47B 3/0812; A47B 2013/026; A47B 2200/03; A47B 2200/00; A47B 2003/0821; A47C 3/045

See application file for complete search history.

(56) **References Cited**

U.S. PATENT DOCUMENTS

D90,704 S * 9/1933 Goodman D6/691
D141,386 S * 5/1945 Rosenfeld D6/691.9
D176,473 S * 12/1955 Moxley D34/21
D177,657 S * 5/1956 Bedol D6/686

D244,113 S * 4/1977 Friedman D6/691.9
D254,281 S * 2/1980 Kayfes D6/686
D278,294 S * 4/1985 Dau D6/691.9
D284,533 S * 7/1986 Berry, Jr. D6/672
D363,624 S * 10/1995 Levine D6/691.9
D557,036 S * 12/2007 Bates D6/657
D609,503 S * 2/2010 Hayes D6/675.1
D791,522 S * 7/2017 Rafieha D6/689

* cited by examiner

Primary Examiner — Mary Ann Calabrese

Assistant Examiner — Catherine Ho

(74) *Attorney, Agent, or Firm* — The Belles Group, P.C.

(57) **CLAIM**

I claim the ornamental design for a table, as shown and described.

DESCRIPTION

FIG. 1 is a top perspective view of a table showing my new design according to a first embodiment of the present invention.

FIG. 2 is a front view of the table of FIG. 1.

FIG. 3 is a rear view of the table of FIG. 1.

FIG. 4 is a right-side view of the table of FIG. 1.

FIG. 5 is a left-side view of the table of FIG. 1.

FIG. 6 is a top plan view of the table of FIG. 1.

FIG. 7 is a bottom plan view of the table of FIG. 1.

FIG. 8 is a top perspective view of a table showing my new design according to a second embodiment of the present invention.

FIG. 9 is a front view of the table of FIG. 8.

FIG. 10 is a rear view of the table of FIG. 8.

FIG. 11 is a right-side view of the table of FIG. 8.

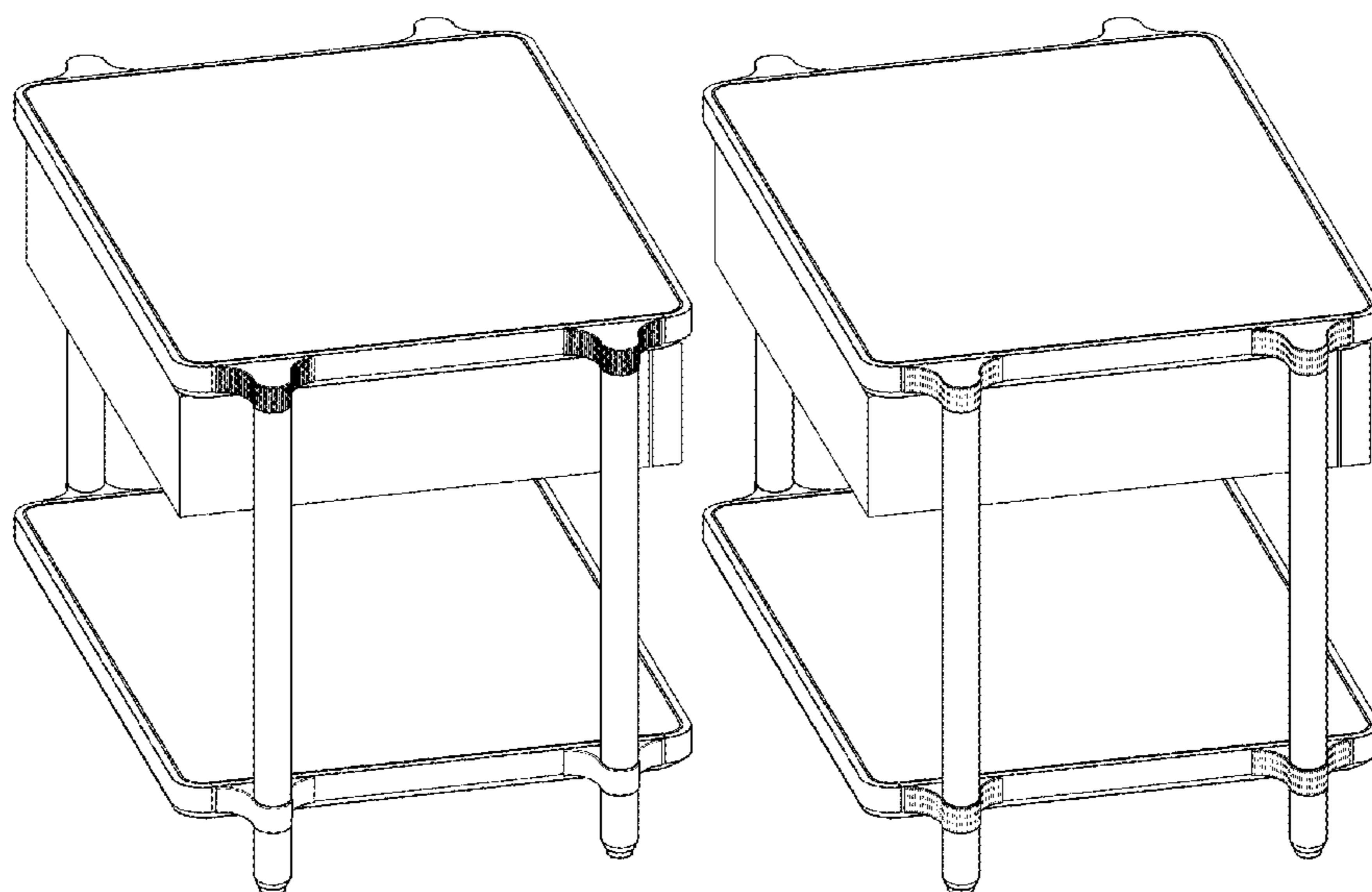
FIG. 12 is a left-side view of the table of FIG. 8.

FIG. 13 is a top plan view of the table of FIG. 8; and,

FIG. 14 is a bottom plan view of the table of FIG. 8.

The broken lines are provided for environment only and form no part of the claimed design.

1 Claim, 10 Drawing Sheets



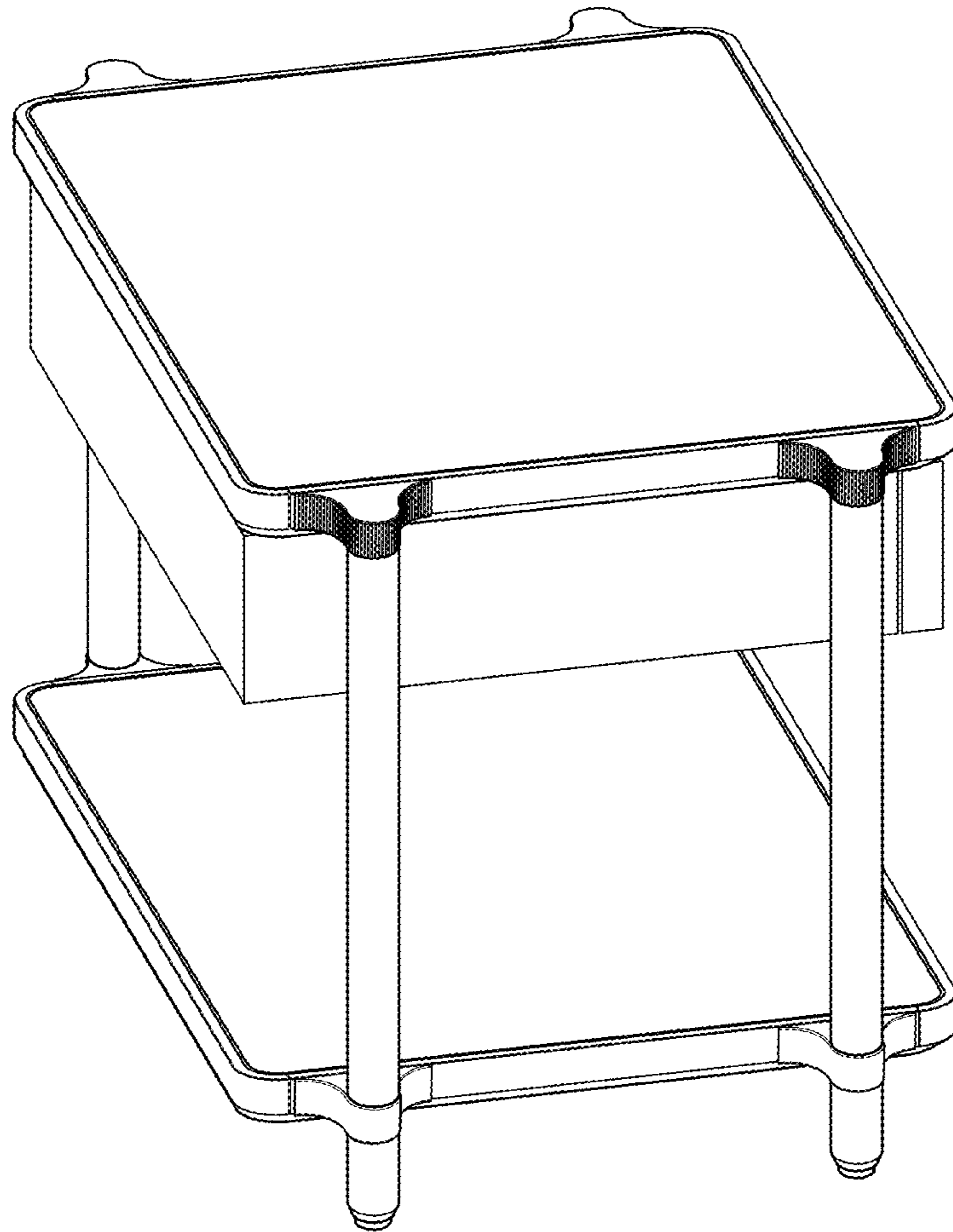


FIG. 1

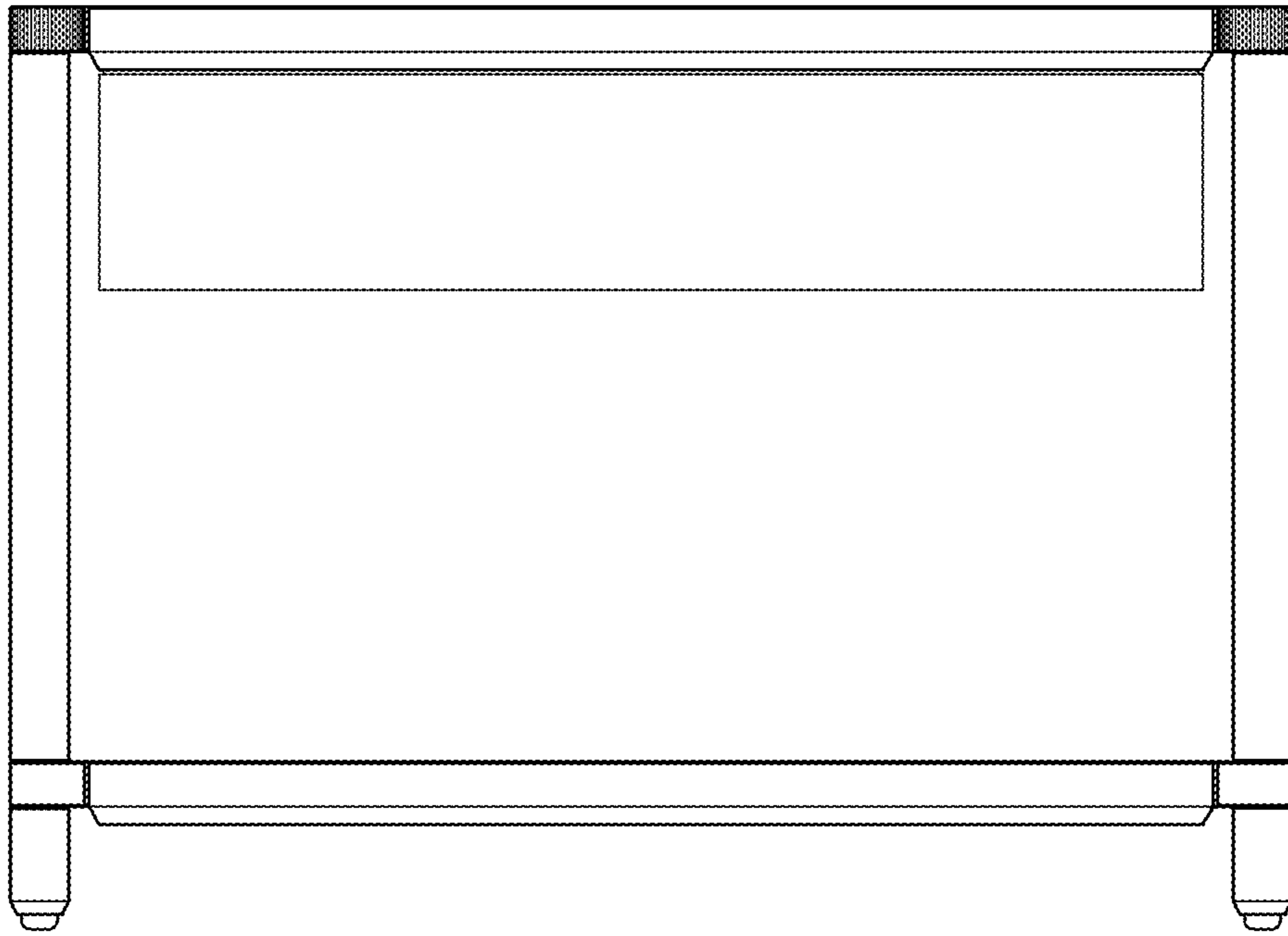


FIG. 2

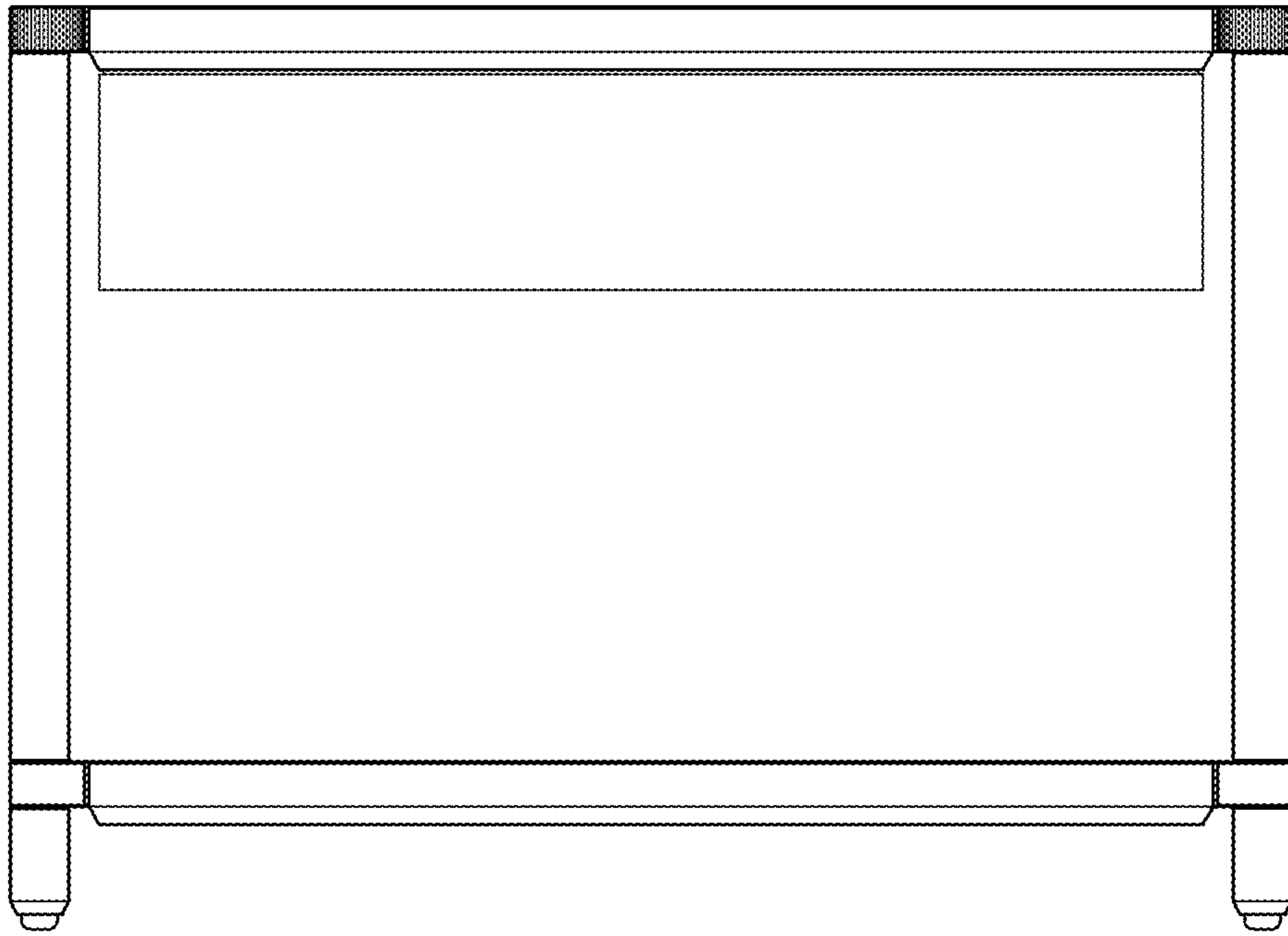


FIG. 3

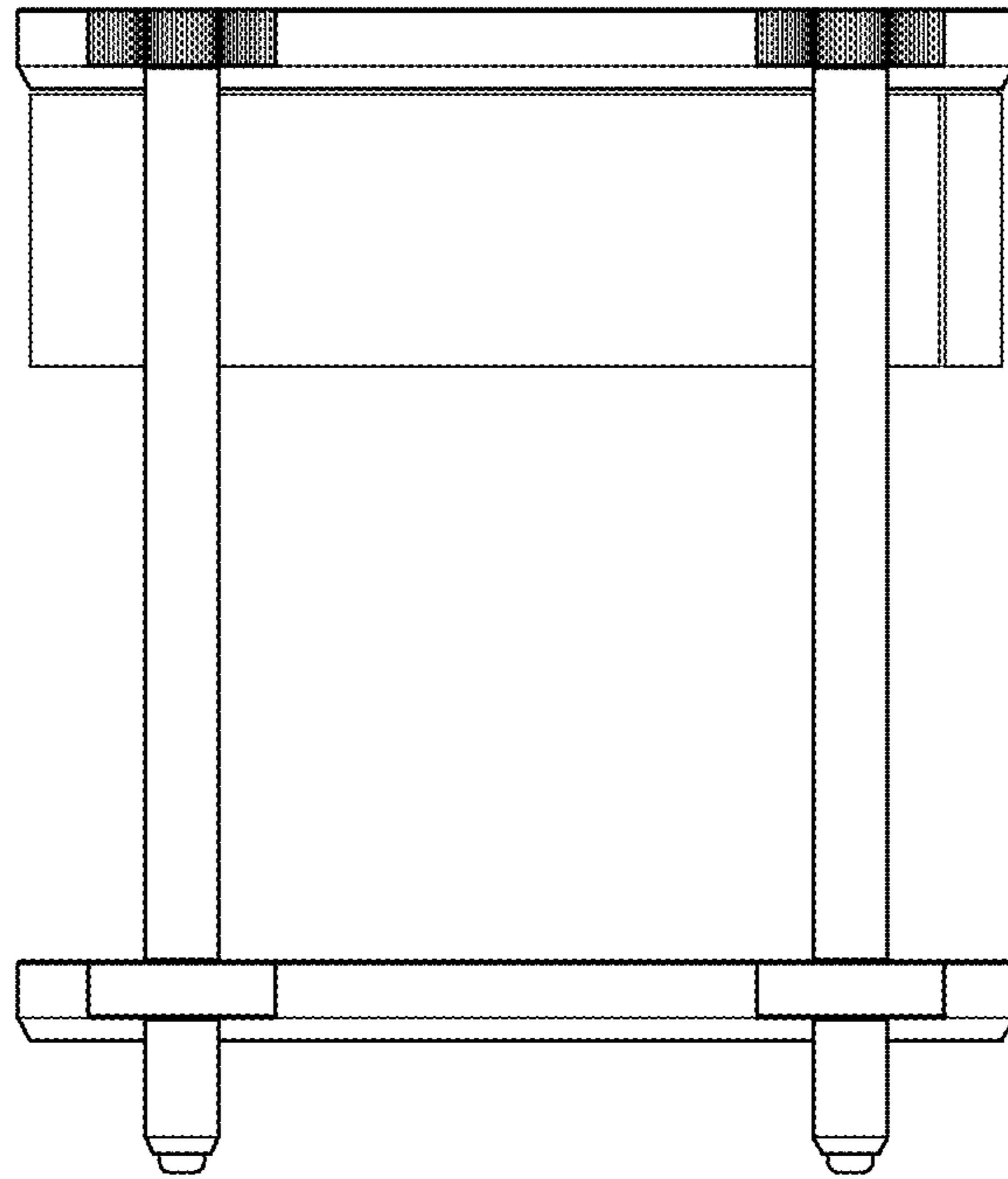


FIG. 4

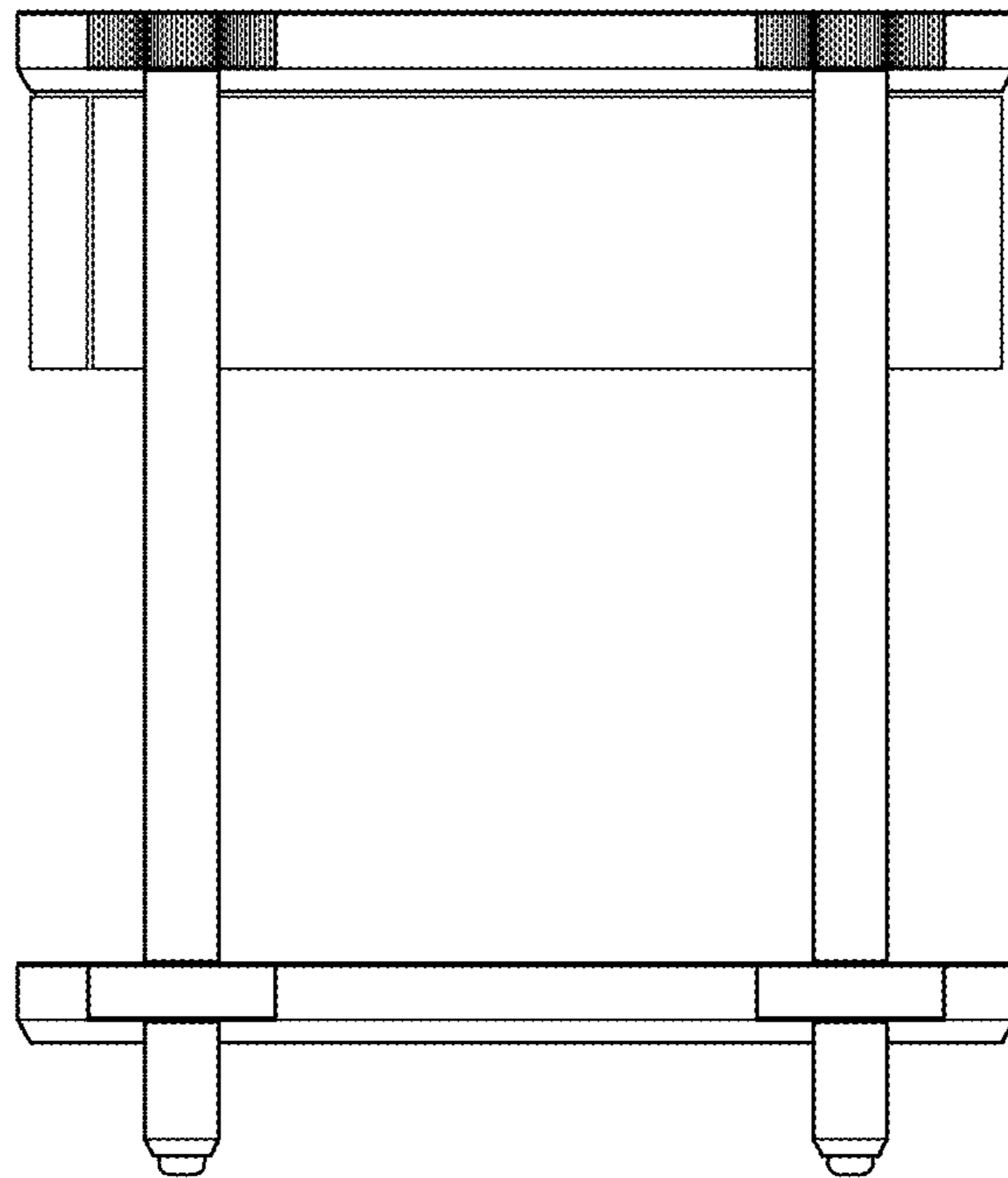


FIG. 5

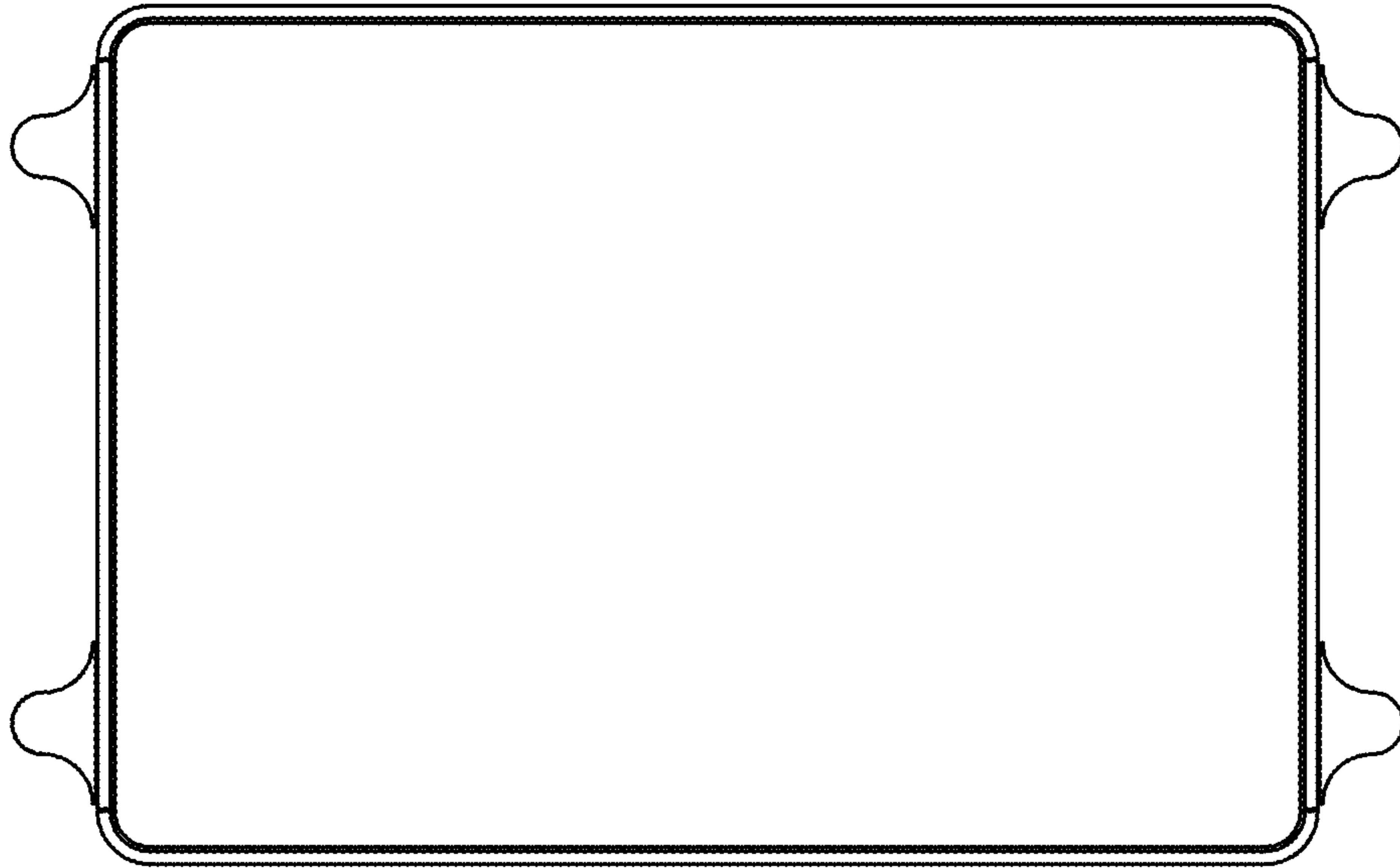


FIG. 6

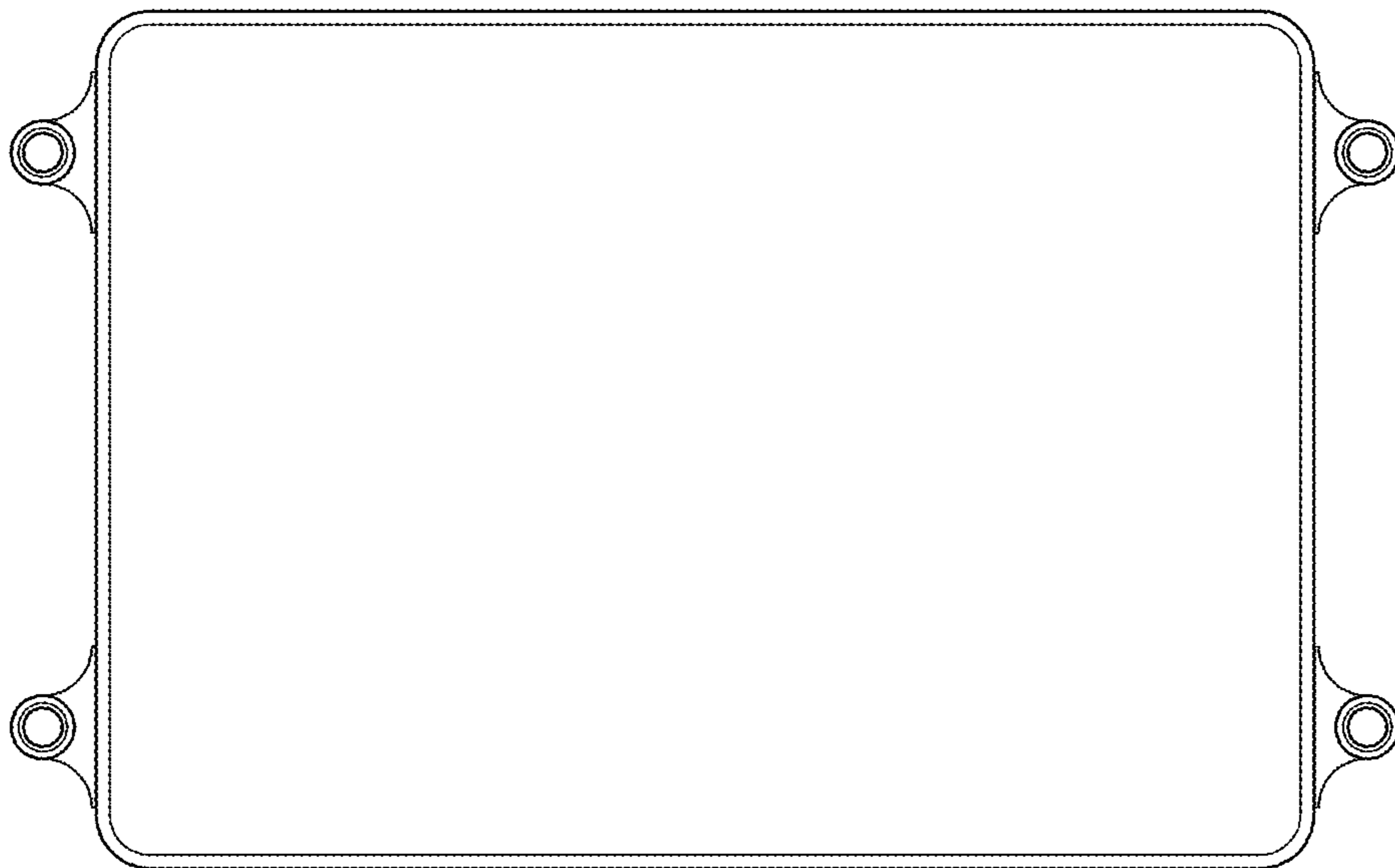


FIG. 7

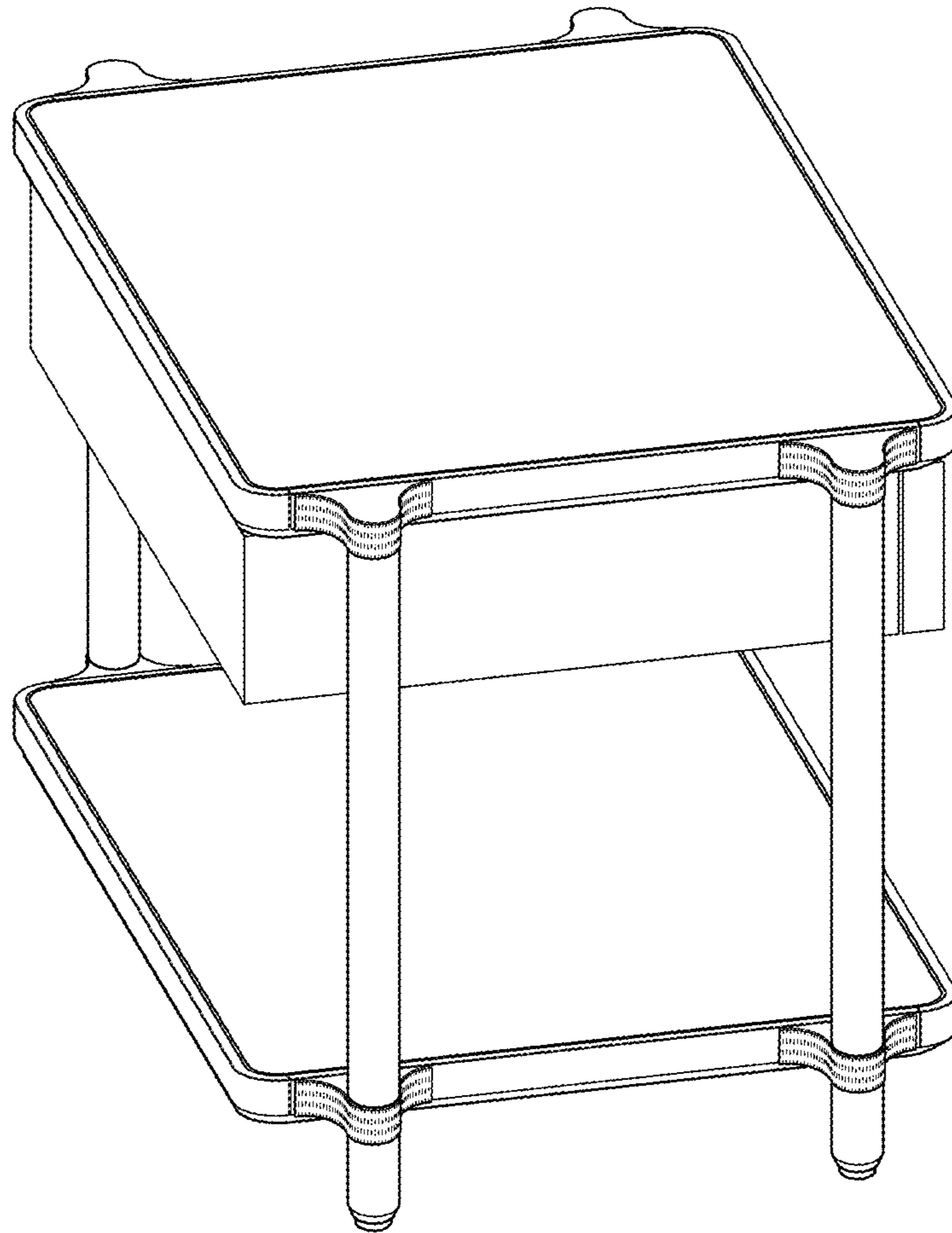


FIG. 8

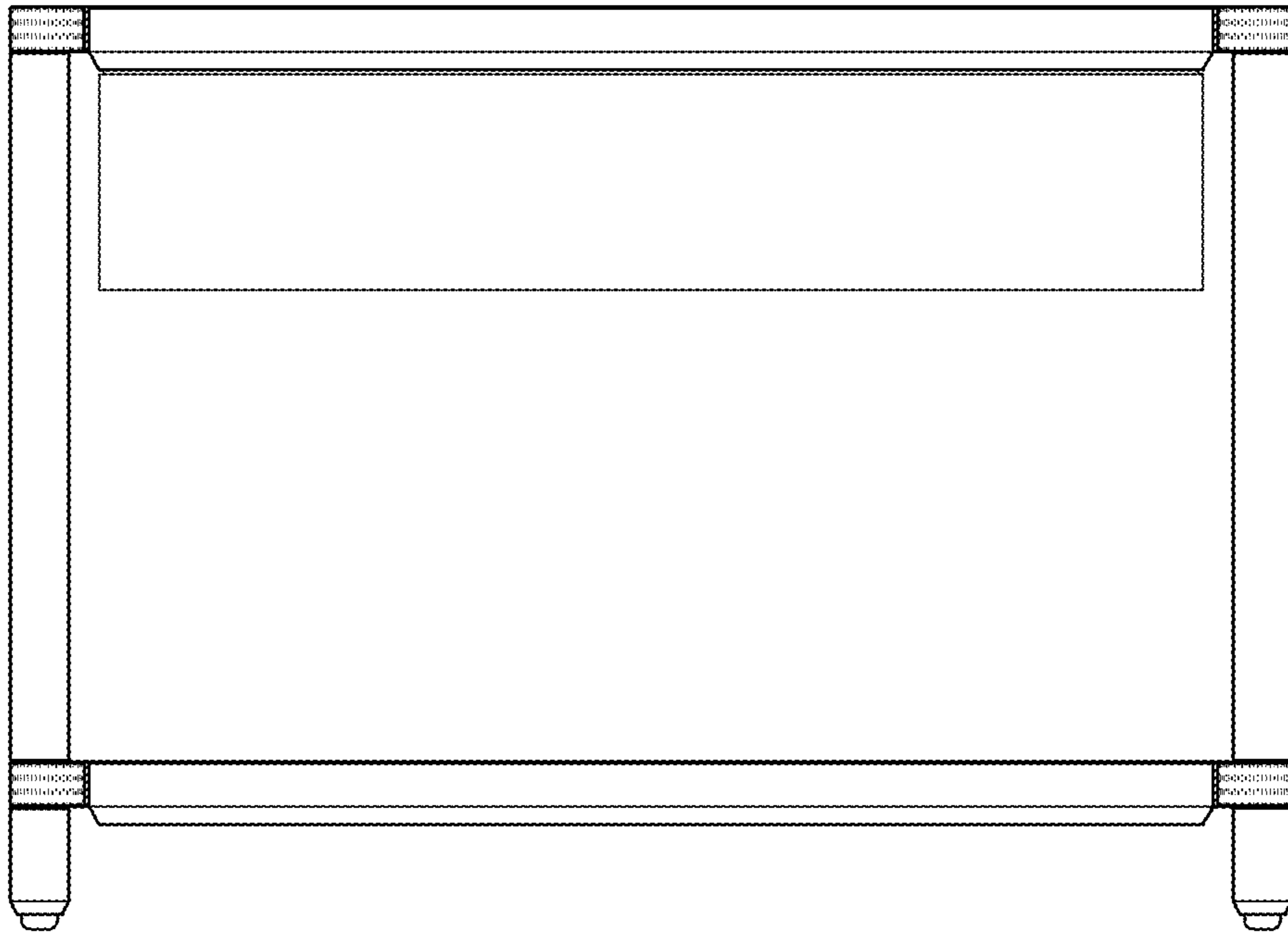


FIG. 9

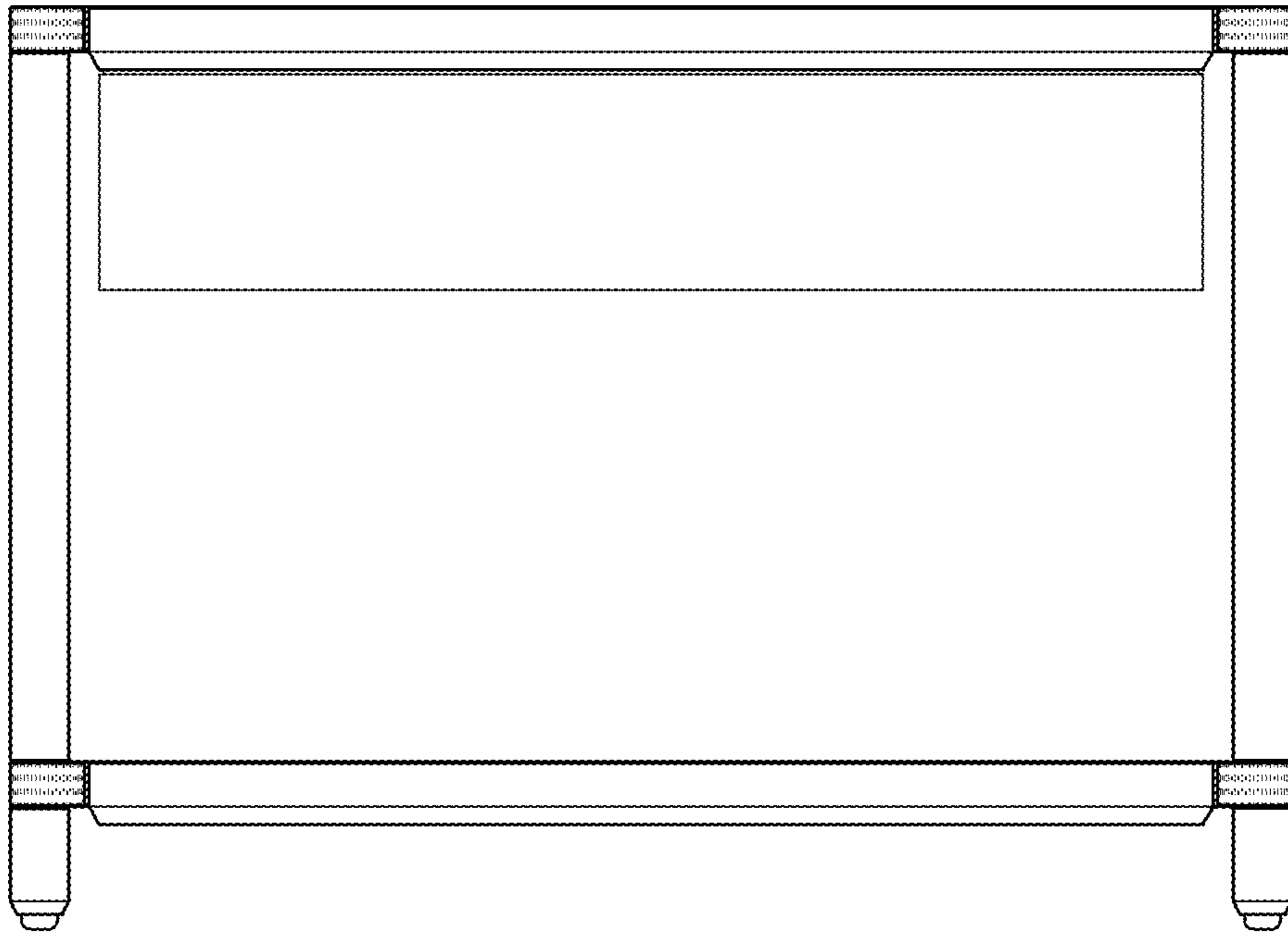


FIG. 10

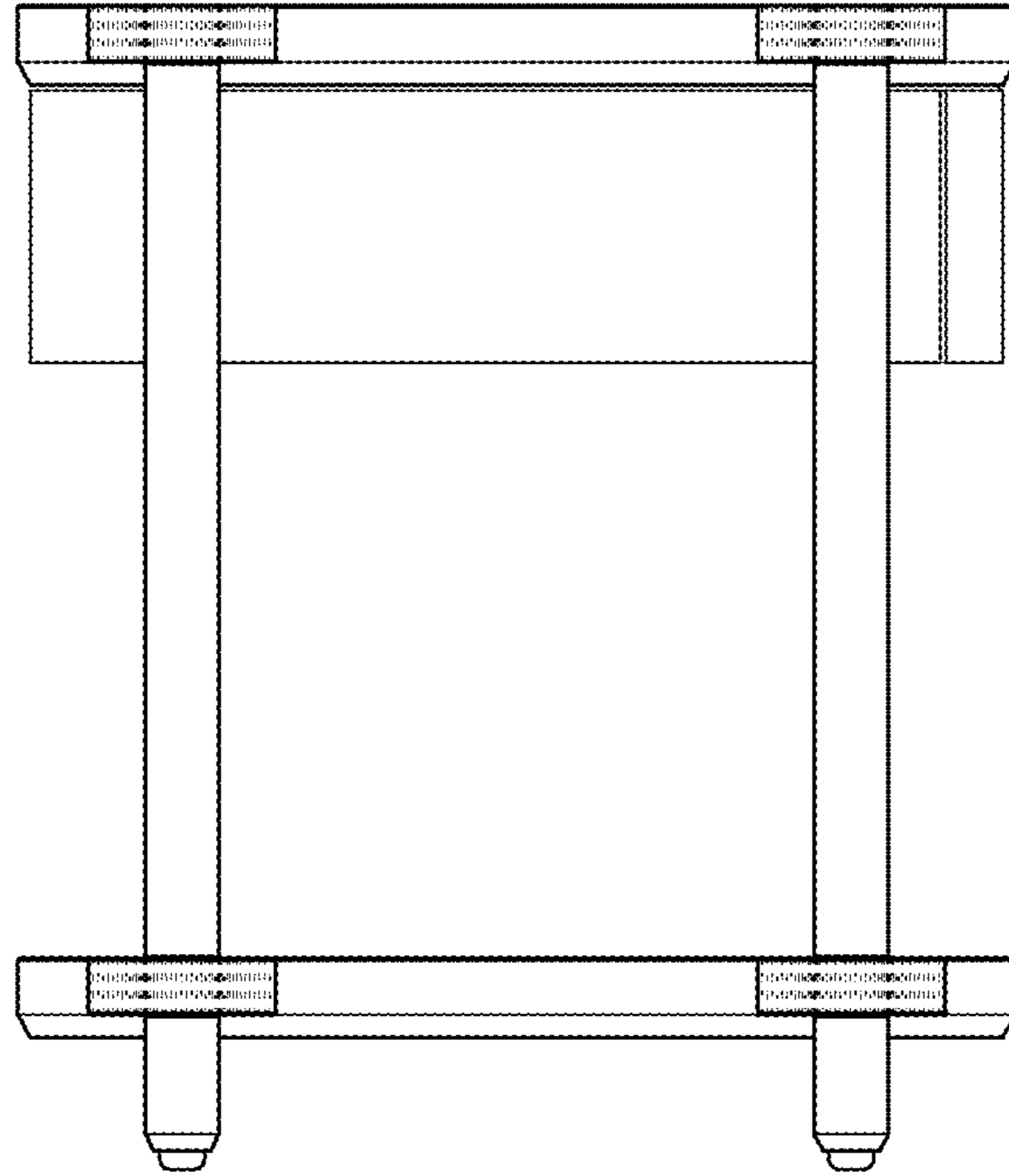


FIG. 11

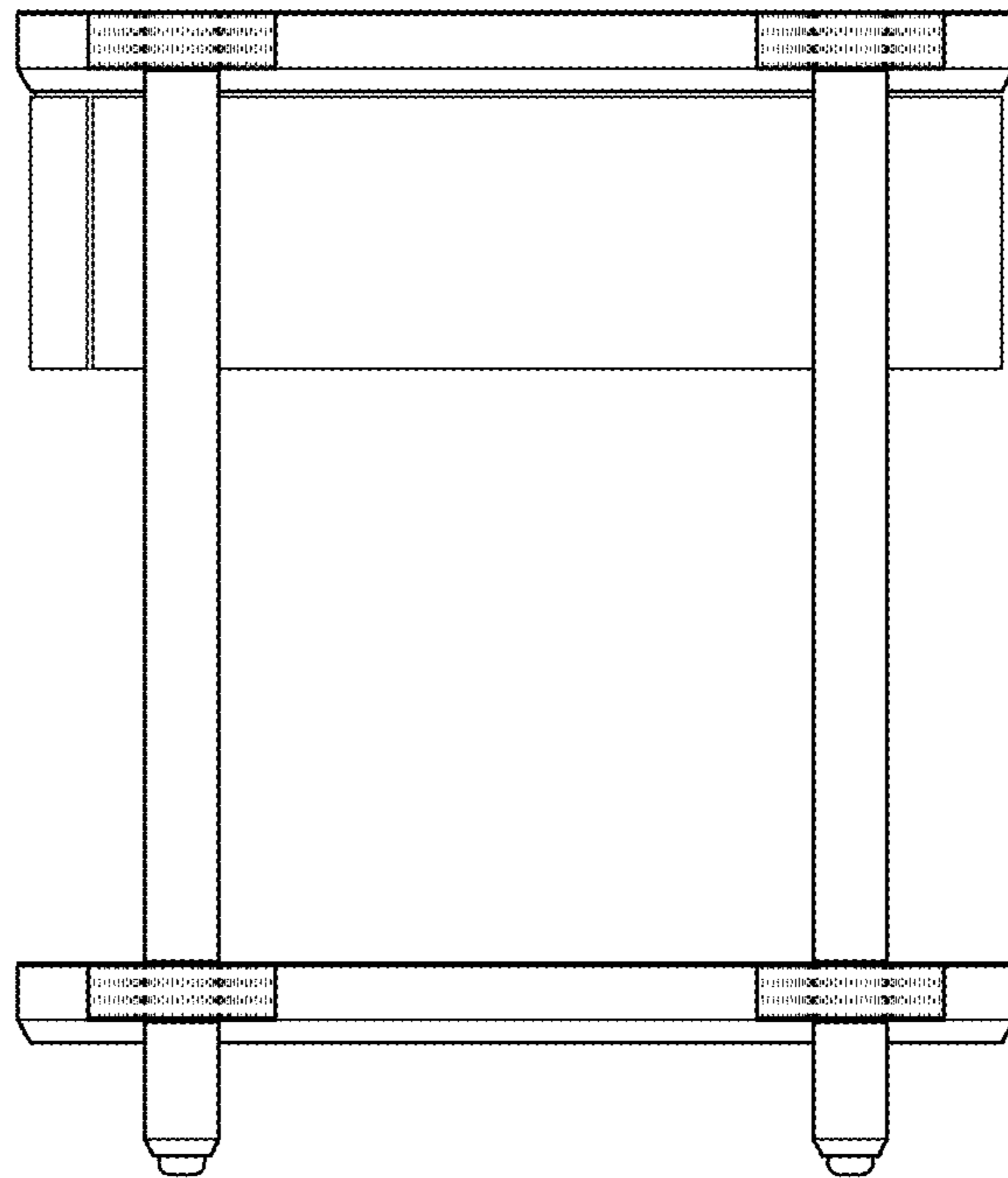


FIG. 12

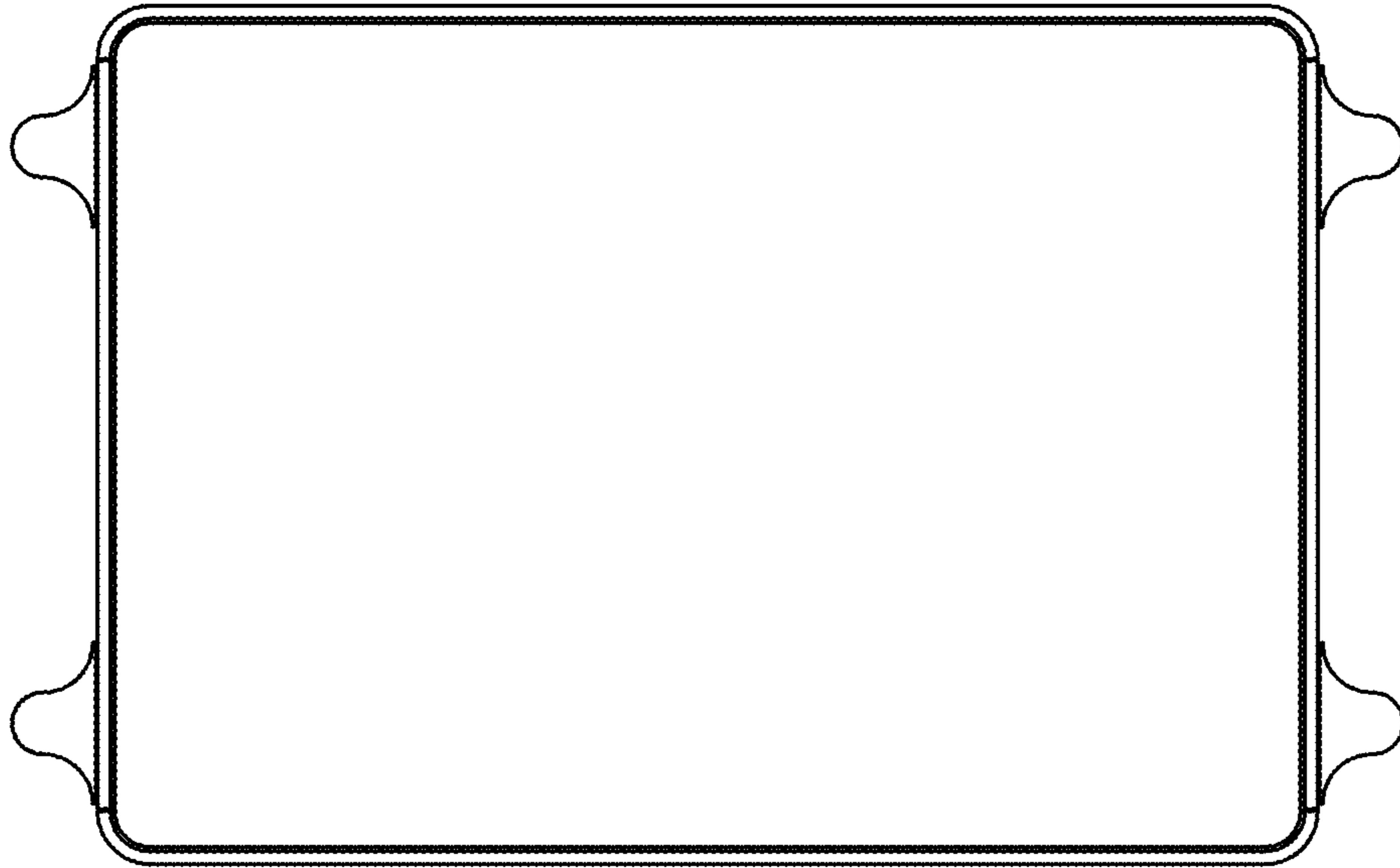


FIG. 13

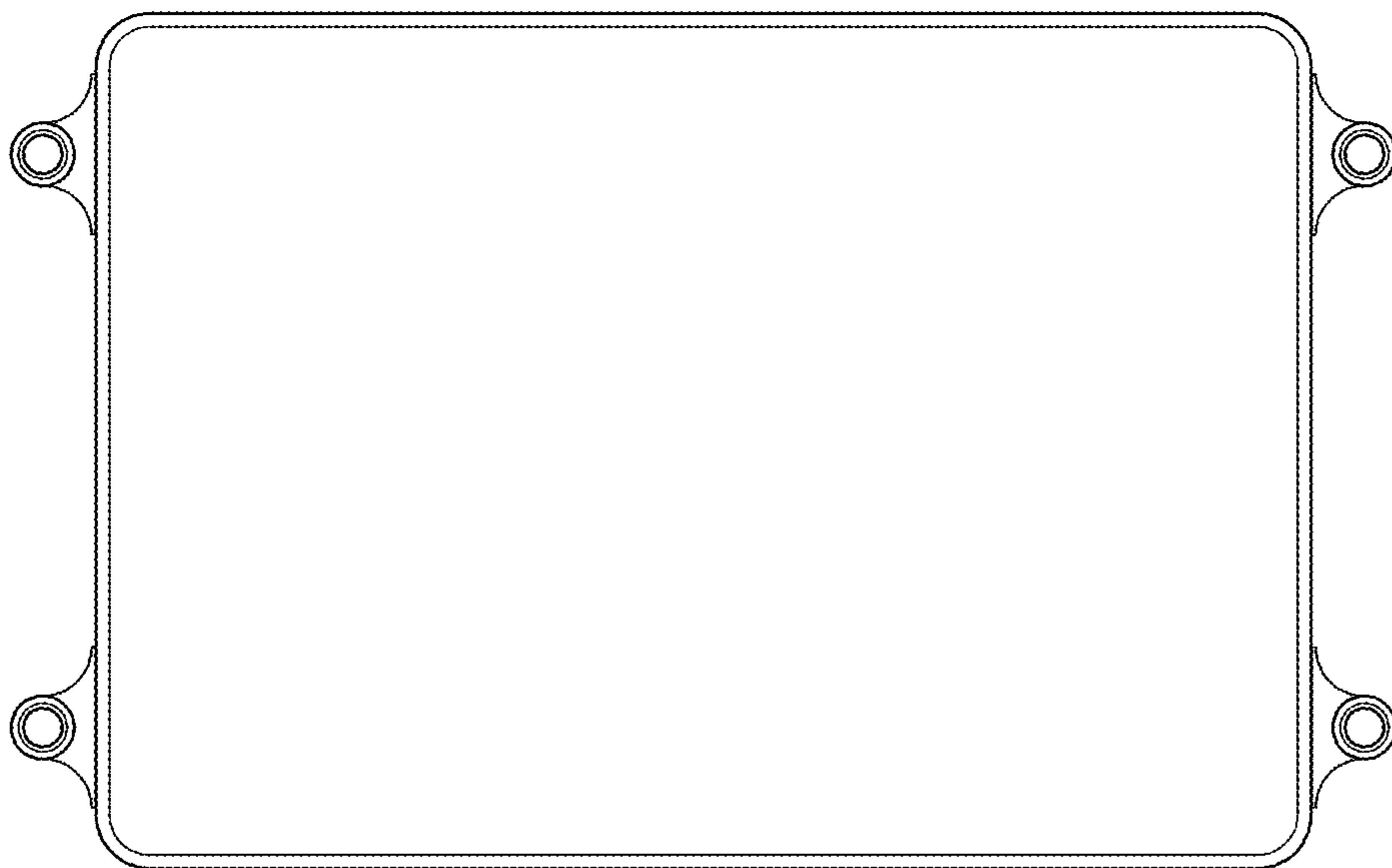


FIG. 14