



US00D891160S

(12) **United States Design Patent**
Karlsson

(10) **Patent No.:** **US D891,160 S**
(45) **Date of Patent:** **** Jul. 28, 2020**

(54) **TABLE**

(71) Applicant: **Inter IKEA Systems B.V.**, LN Delft (NL)

(72) Inventor: **Jon Karlsson**, Lund (SE)

(73) Assignee: **INTER IKEA SYSTEMS B.V.**, Delft (NL)

(**) Term: **15 Years**

(21) Appl. No.: **29/680,554**

(22) Filed: **Feb. 18, 2019**

(30) **Foreign Application Priority Data**

Aug. 21, 2018 (EM) 005616588

(51) **LOC (12) Cl.** **06-03**

(52) **U.S. Cl.**
USPC **D6/691.5; D6/656.16**

(58) **Field of Classification Search**
USPC D6/391, 392, 635, 641, 642, 644, 648.1,
D6/656, 656.1, 656.12, 656.13, 656.16,
D6/656.17, 691.5

CPC .. A47B 1/00; A47B 1/08; A47B 21/00; A47B
21/02; A47B 21/03; A47B 21/06; A47B
27/00; A47B 27/04; A47B 27/14; A47B
41/00; A47B 9/00; A47B 9/20

See application file for complete search history.

(56) **References Cited**

U.S. PATENT DOCUMENTS

D234,735 S * 4/1975 Podell D6/691.5
D293,181 S * 12/1987 Solaro D6/691.1
D367,379 S * 2/1996 Nicholson D6/691.5

D381,715 S * 7/1997 Reeder D21/691
9,609,945 B2 * 4/2017 Krusin A47B 3/0809
D808,204 S * 1/2018 Davis D6/691
D862,129 S * 10/2019 Hu D6/656.17
10,568,418 B2 * 2/2020 Applegate A47B 3/08
D877,544 S * 3/2020 Hu D6/656.16
D879,514 S * 3/2020 Goldberg D6/656.16
D881,611 S * 4/2020 Nightingale D6/656.17
2017/0135466 A1 * 5/2017 Randlov A47B 9/04

OTHER PUBLICATIONS

Idåsen Underframe for table top [online], [site visited Apr. 23, 2020]. Available from internet, URL:<<https://www.ikea.com/us/en/p/idasen-underframe-for-table-top-dark-gray-80397916/>> (Year: 2020).*

* cited by examiner

Primary Examiner — Cynthia Ramirez

Assistant Examiner — Xavier Marti-Santos

(74) *Attorney, Agent, or Firm* — Tucker Ellis LLP

(57) **CLAIM**

The ornamental design for a table, as shown and described.

DESCRIPTION

FIG. 1 is a front-left-bottom perspective view of a table showing my new design;

FIG. 2 is a rear-right-top perspective view thereof;

FIG. 3 is a front view thereof;

FIG. 4 is a rear view thereof;

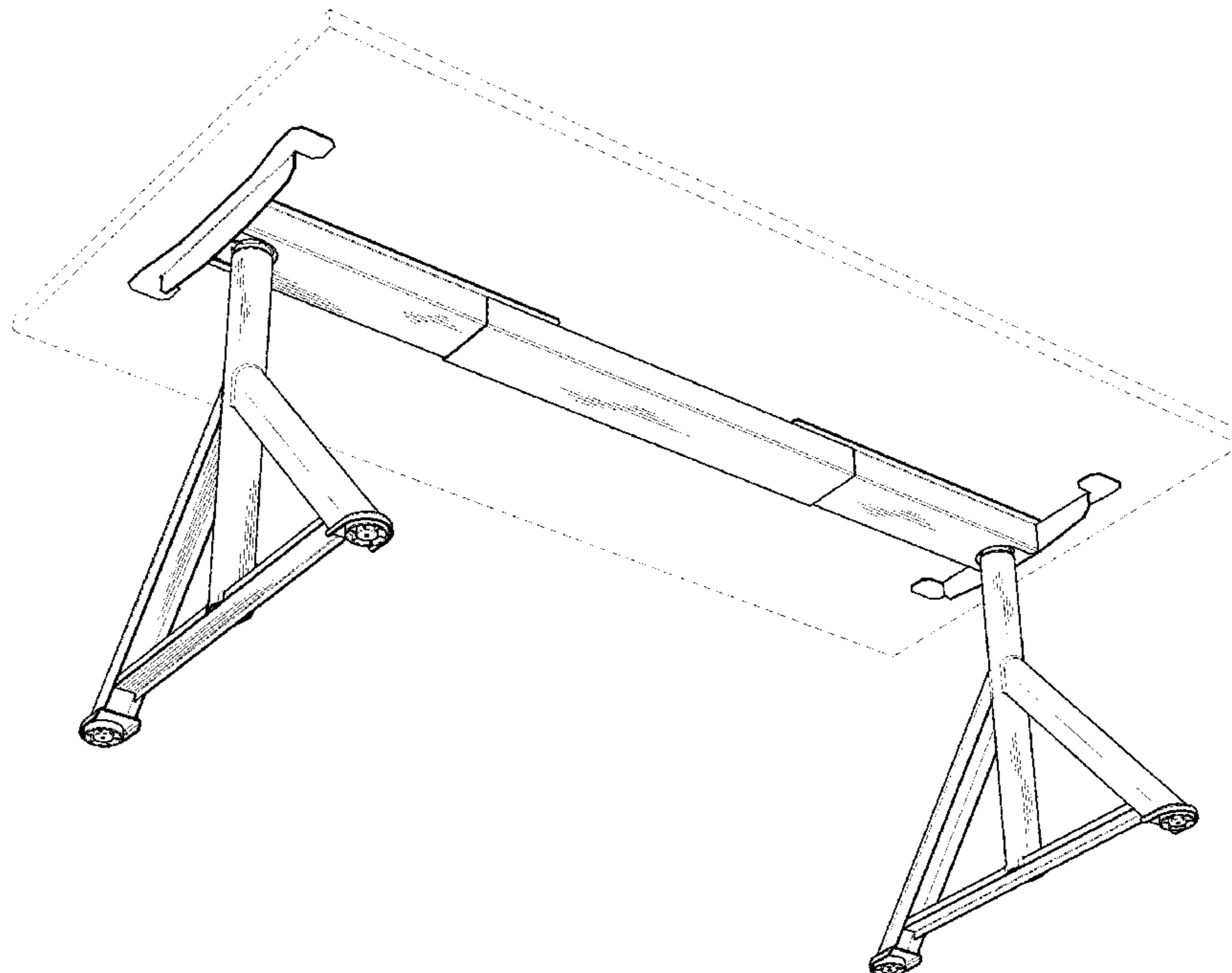
FIG. 5 is a left side view thereof;

FIG. 6 is a right side view thereof; and,

FIG. 7 is a bottom view thereof.

The broken lines are for the purpose of illustrating portions of the table and form no part of the claimed design.

1 Claim, 6 Drawing Sheets



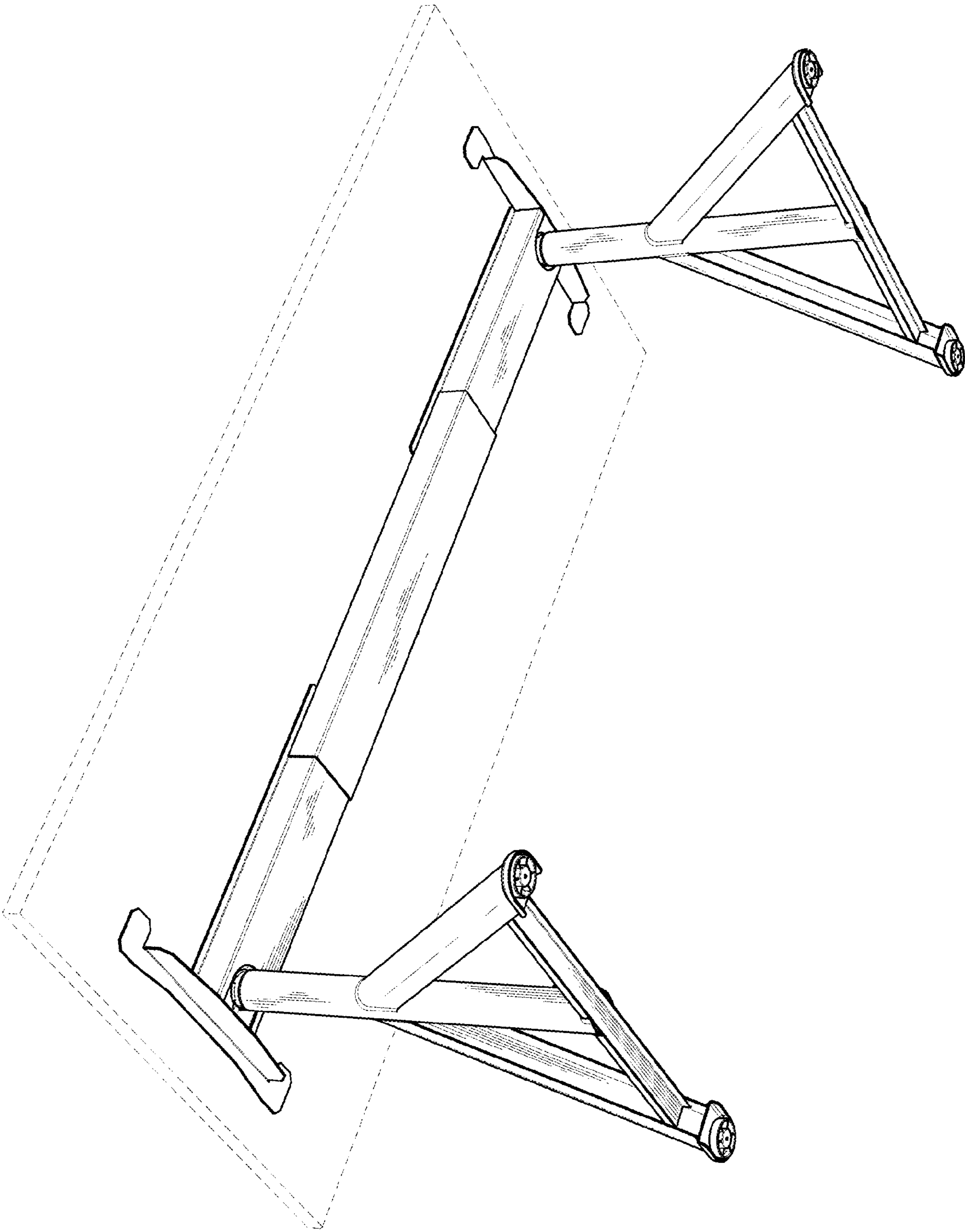


FIG. 1

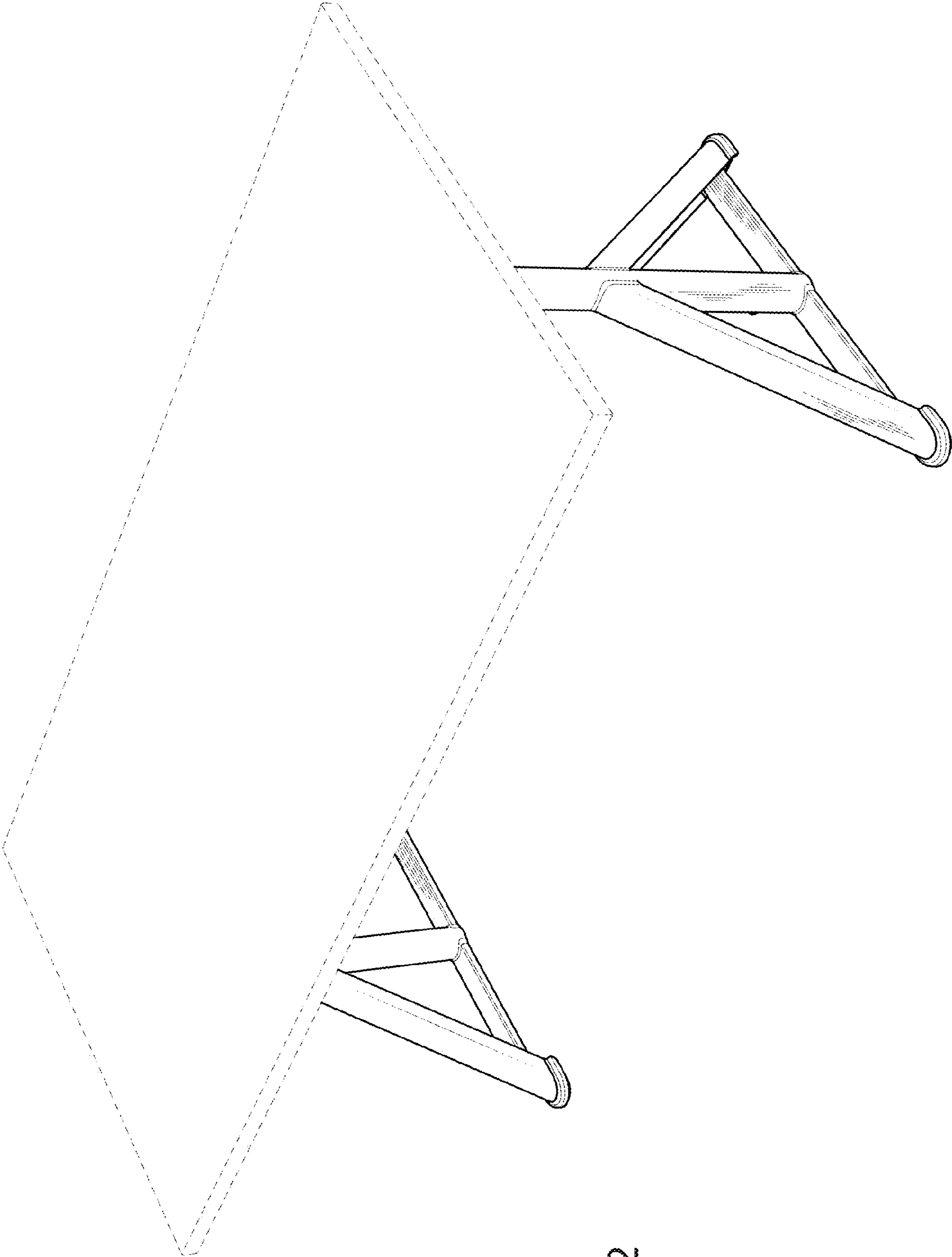


FIG. 2

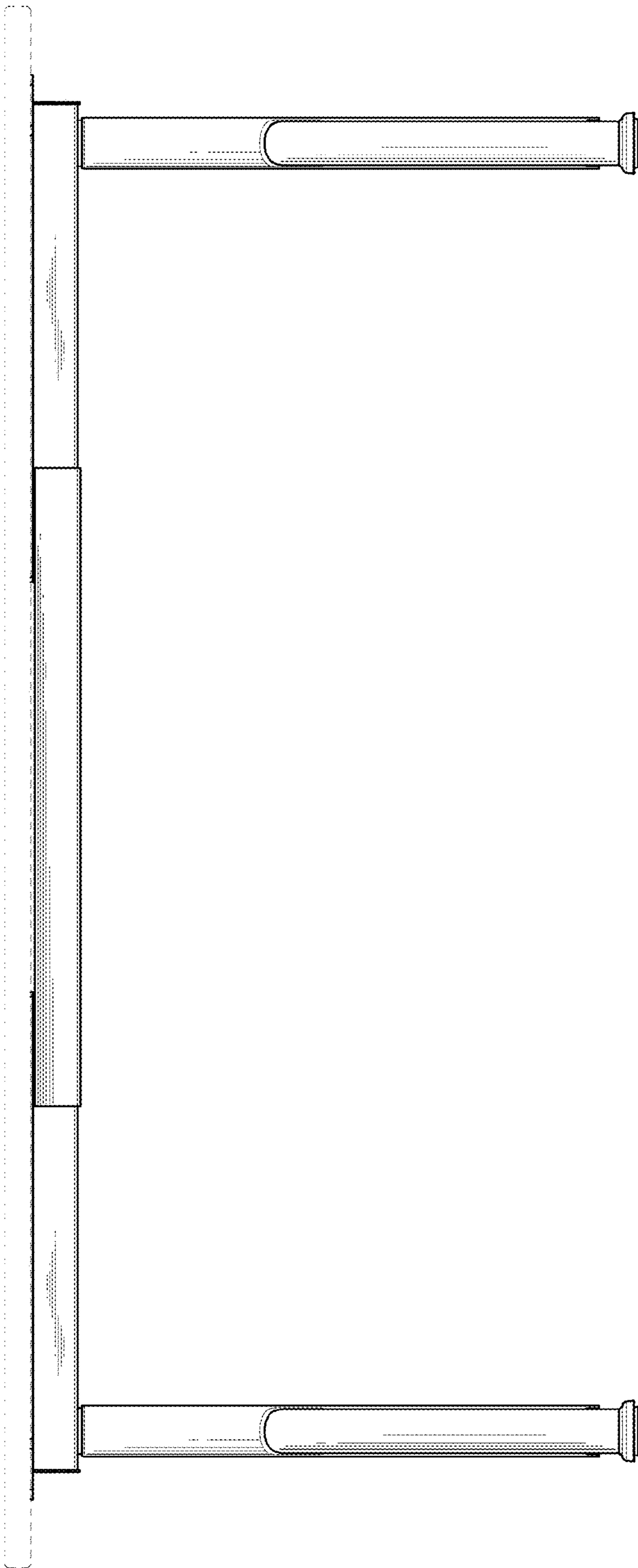


FIG. 3



FIG. 4

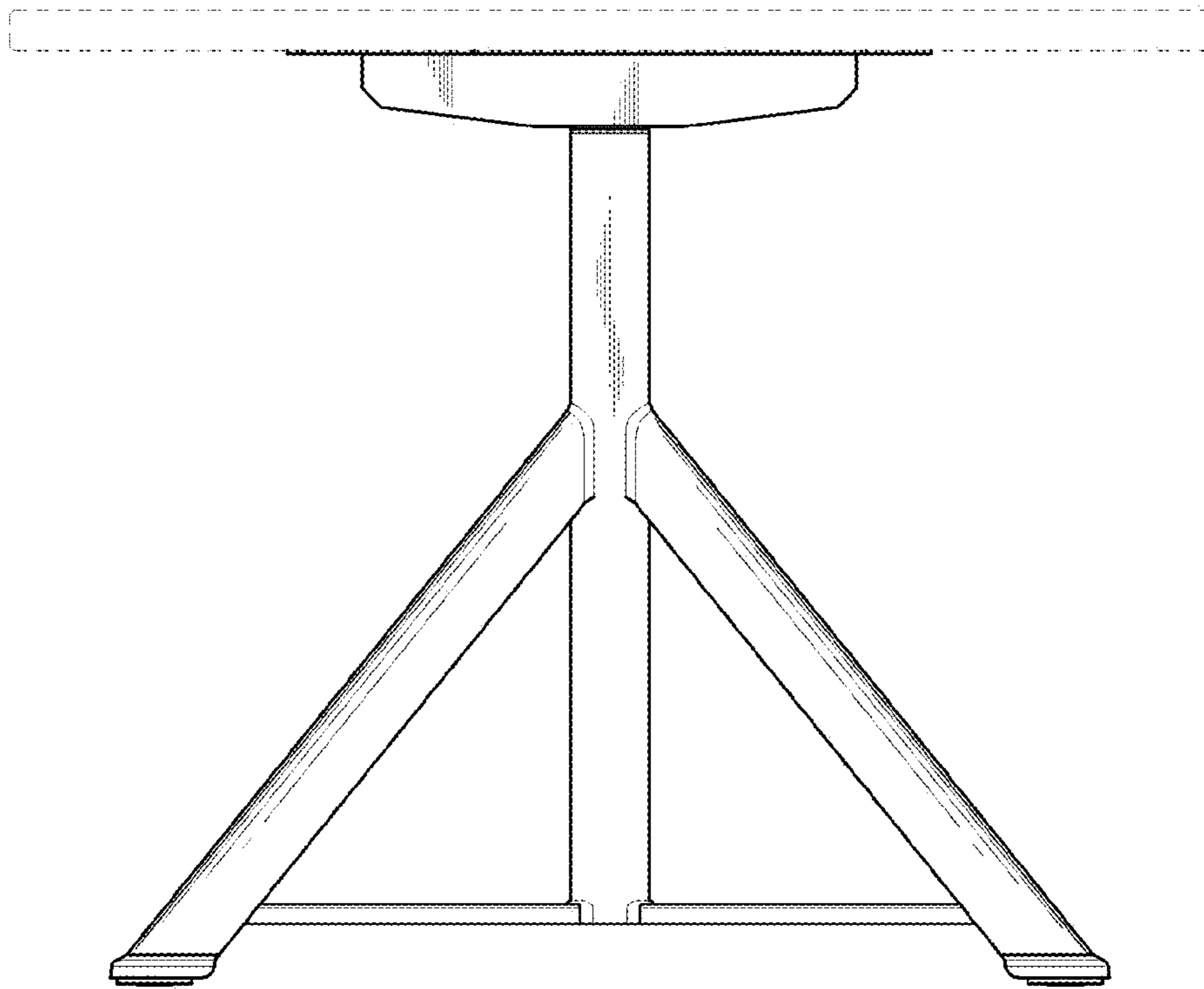


FIG. 5

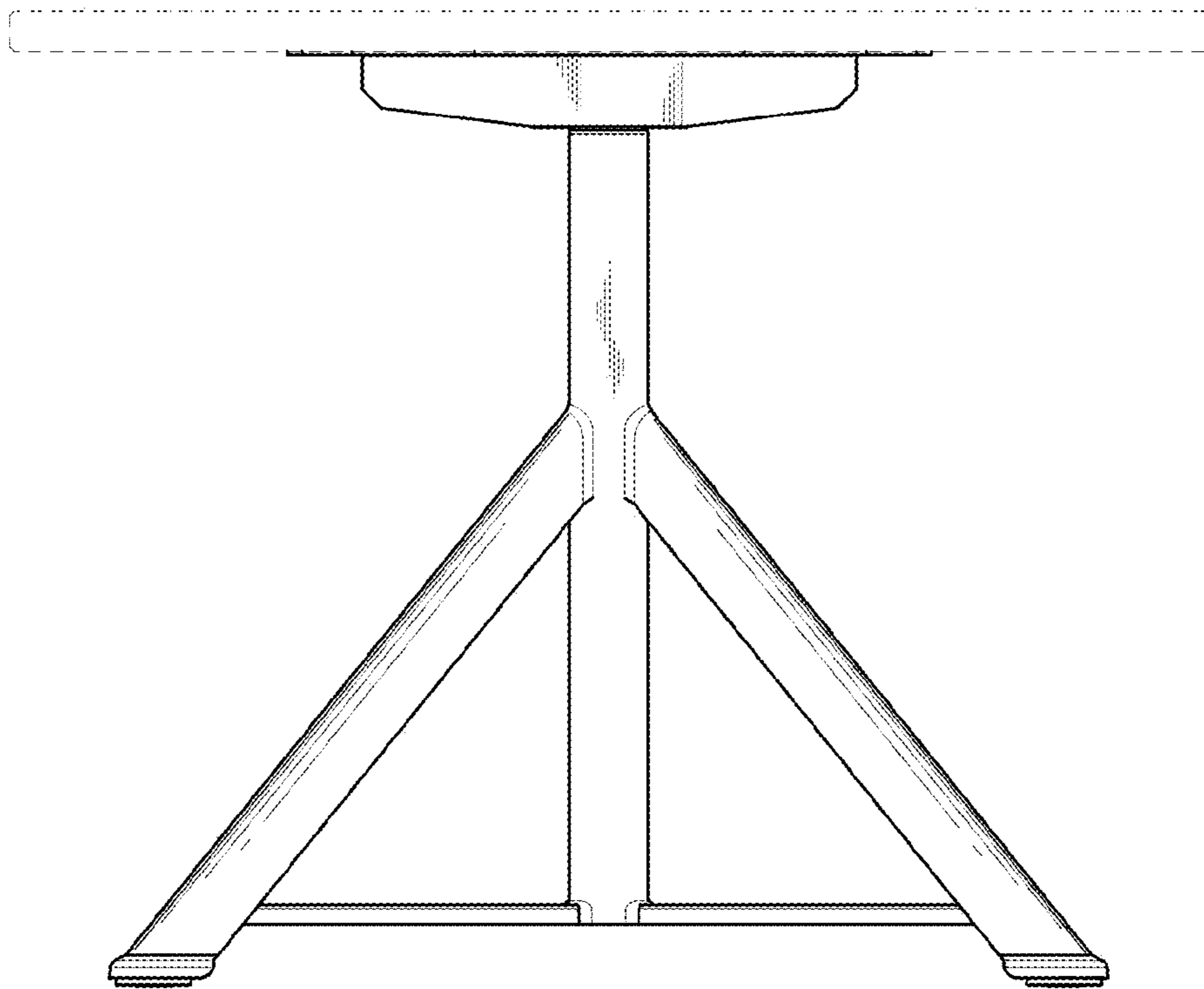


FIG. 6

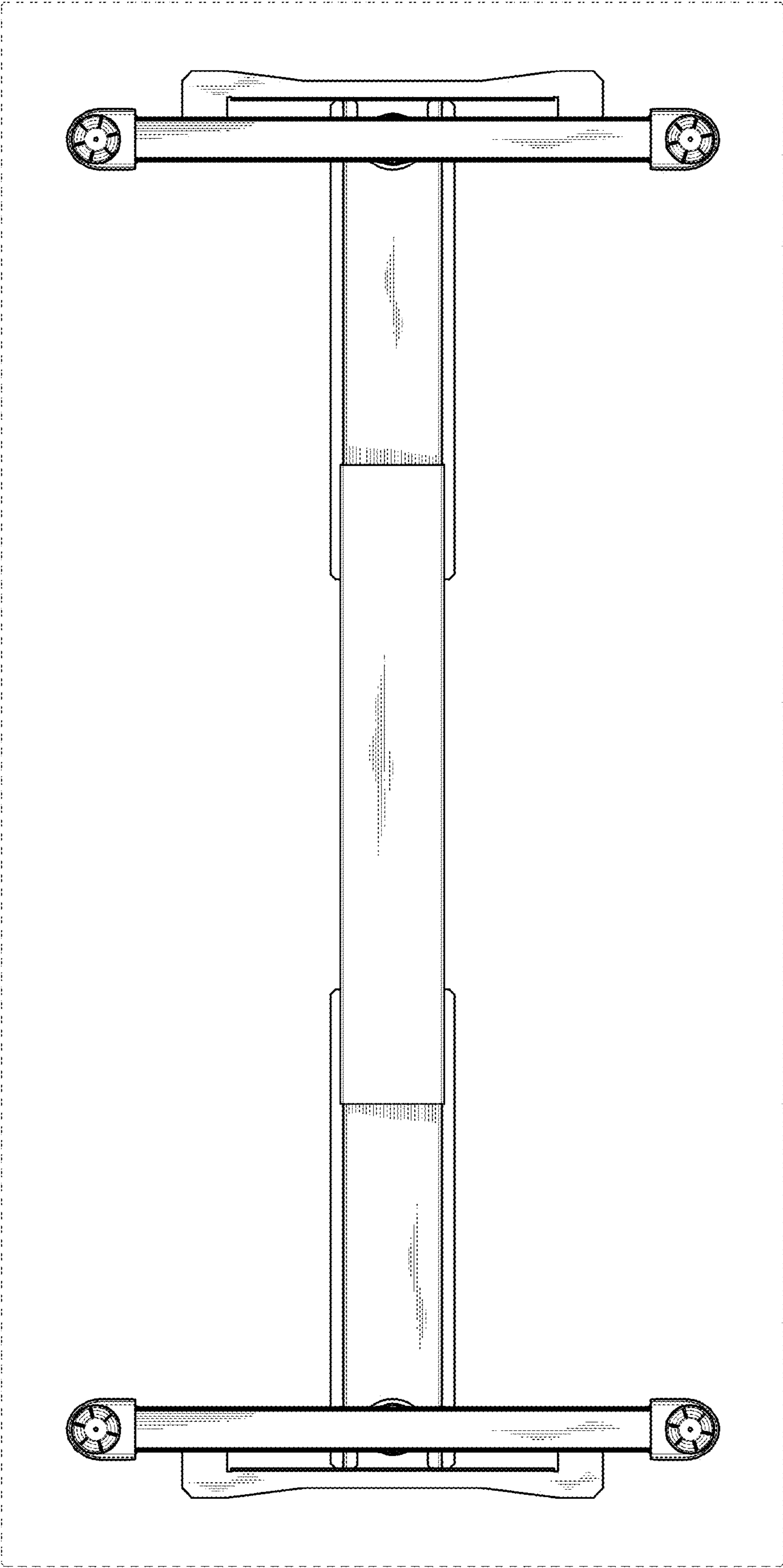


FIG. 7