



US00D891157S

(12) **United States Design Patent**
Theisen et al.

(10) **Patent No.:** **US D891,157 S**

(45) **Date of Patent:** **** Jul. 28, 2020**

(54) **DISPLAY UNIT**

(71) Applicant: **Target Brands, Inc.**, Minneapolis, MN (US)

(72) Inventors: **Jennifer A. Theisen**, Crystal, MN (US);
William Y. Stafford, Minnetrista, MN (US); **Benjamin Weshler**, New York, NY (US)

(73) Assignee: **Target Brands, Inc.**, Minneapolis, MN (US)

(**) Term: **15 Years**

(21) Appl. No.: **29/689,696**

(22) Filed: **May 1, 2019**

(51) **LOC (12) Cl.** **06-06**

(52) **U.S. Cl.**
USPC **D6/675**

(58) **Field of Classification Search**
USPC D6/672, 673, 675, 682, 682.1, 683;
D3/304, 314–315, 328; D19/86, 90, 91
CPC .. A47F 3/00; A47F 3/0456; A47F 5/11; A47F
3/004; A47F 3/14; B65D 3/24
See application file for complete search history.

(56) **References Cited**

U.S. PATENT DOCUMENTS

D164,779 S *	10/1951	Koenig	D34/21
2,915,193 A *	12/1959	Bromberg	A47F 5/005
				108/61
3,019,907 A *	2/1962	Belejack	A47F 5/01
				211/59.2
D325,849 S *	5/1992	Melcher	D6/682.2
D403,538 S *	1/1999	Habib	D6/675.3
D654,377 S *	2/2012	Cassidy	D6/682.4

D660,085 S *	5/2012	Boone	D7/553.2
D701,408 S *	3/2014	Mason	D6/705.7
8,925,745 B2	1/2015	Theisen et al.		
D770,029 S *	10/2016	Guillemi	D23/392
D799,252 S *	10/2017	Coretti, Jr.	D6/705
D831,393 S *	10/2018	Hodgson	D6/704
D842,628 S *	3/2019	Siminoff	D6/672
D854,446 S *	7/2019	LaRocque	D11/155
D864,570 S *	10/2019	Colburn	D3/314
D875,446 S *	2/2020	Marconi	D6/682.2
2003/0066811 A1 *	4/2003	Dimattio	A47F 5/005
				211/59.2
2004/0004420 A1 *	1/2004	Pine	A47B 88/90
				312/348.3
2012/0012590 A1 *	1/2012	Earp	F41C 33/06
				220/529
2015/0053631 A1 *	2/2015	Hardy	A47F 1/04
				211/59.3

* cited by examiner

Primary Examiner — Kelley A Donnelly

(74) *Attorney, Agent, or Firm* — Leanne Taveggia Farrell; Westman, Champlin & Koehler, P.A.

(57) **CLAIM**

The ornamental design for a display unit, as shown and described.

DESCRIPTION

FIG. 1 is a front perspective view of a display unit showing our new design;

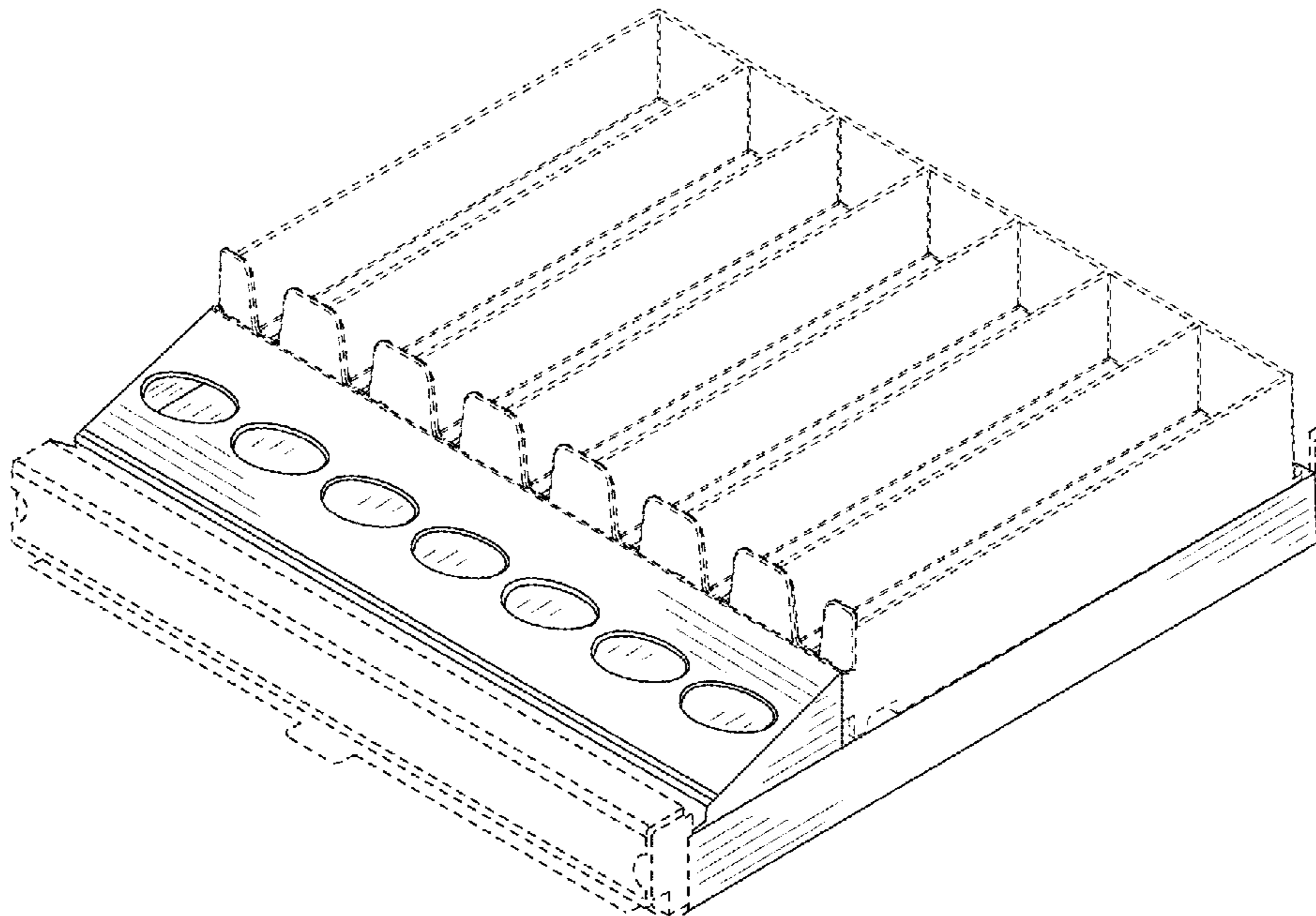
FIG. 2 is a front view thereof;

FIG. 3 is a top view thereof; and,

FIG. 4 is a right side view thereof, the left side being a mirror image.

The broken lines shown in the drawings are included for purposes of illustrating portions of the display unit and form no part of the claimed design.

1 Claim, 3 Drawing Sheets



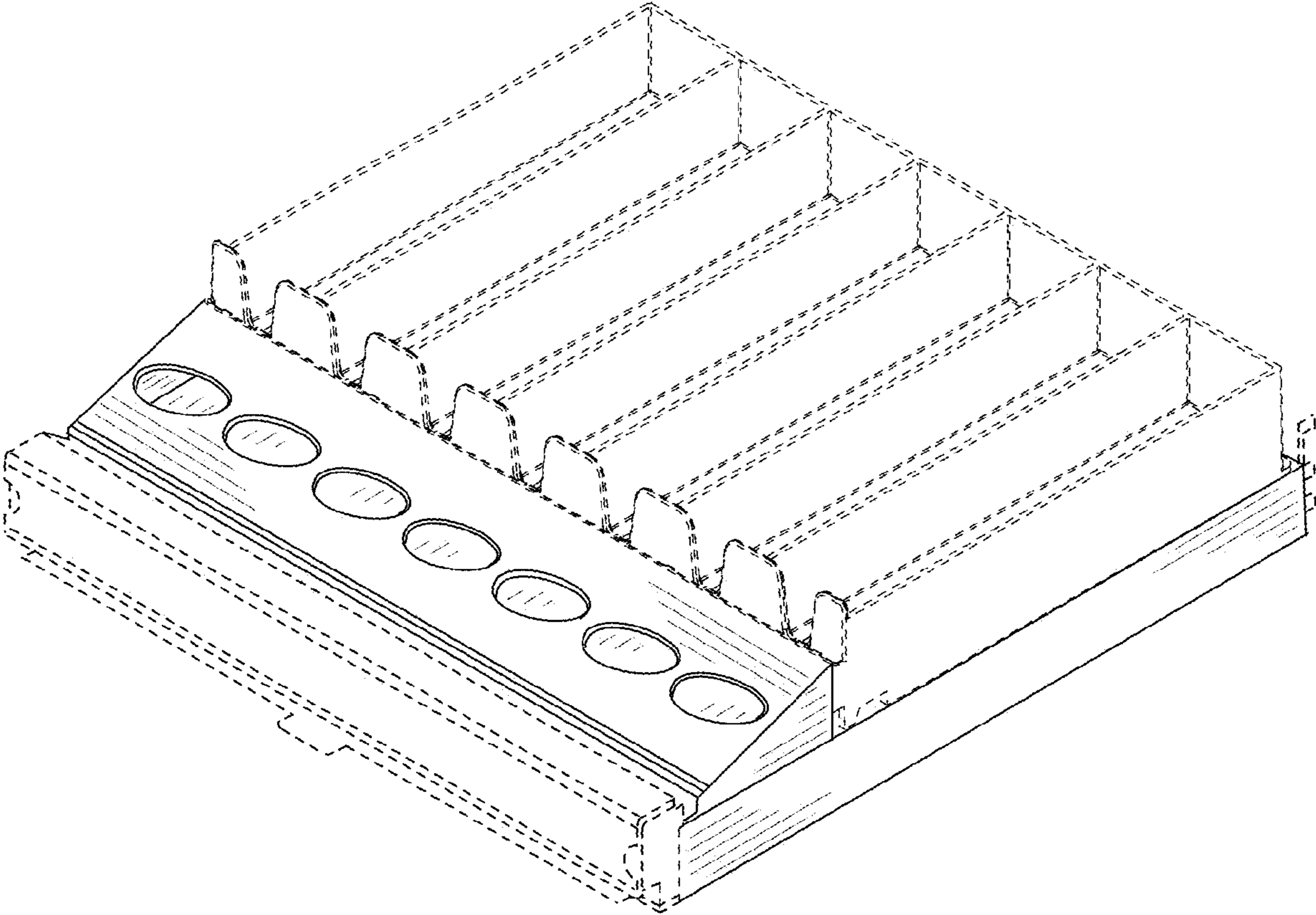


Fig. 1

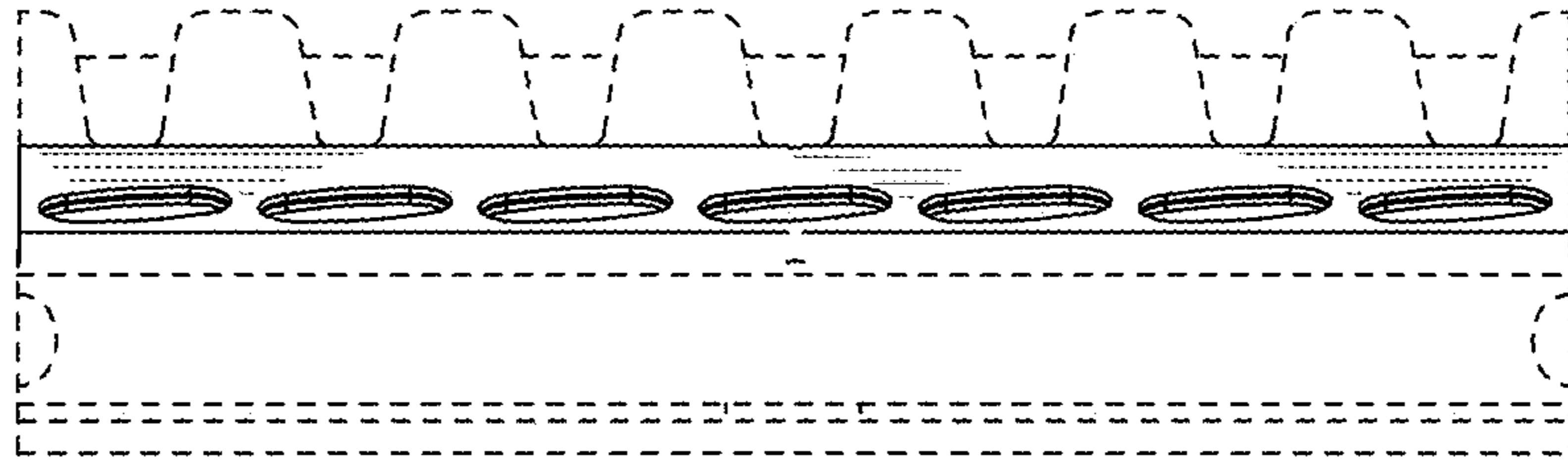


Fig. 2

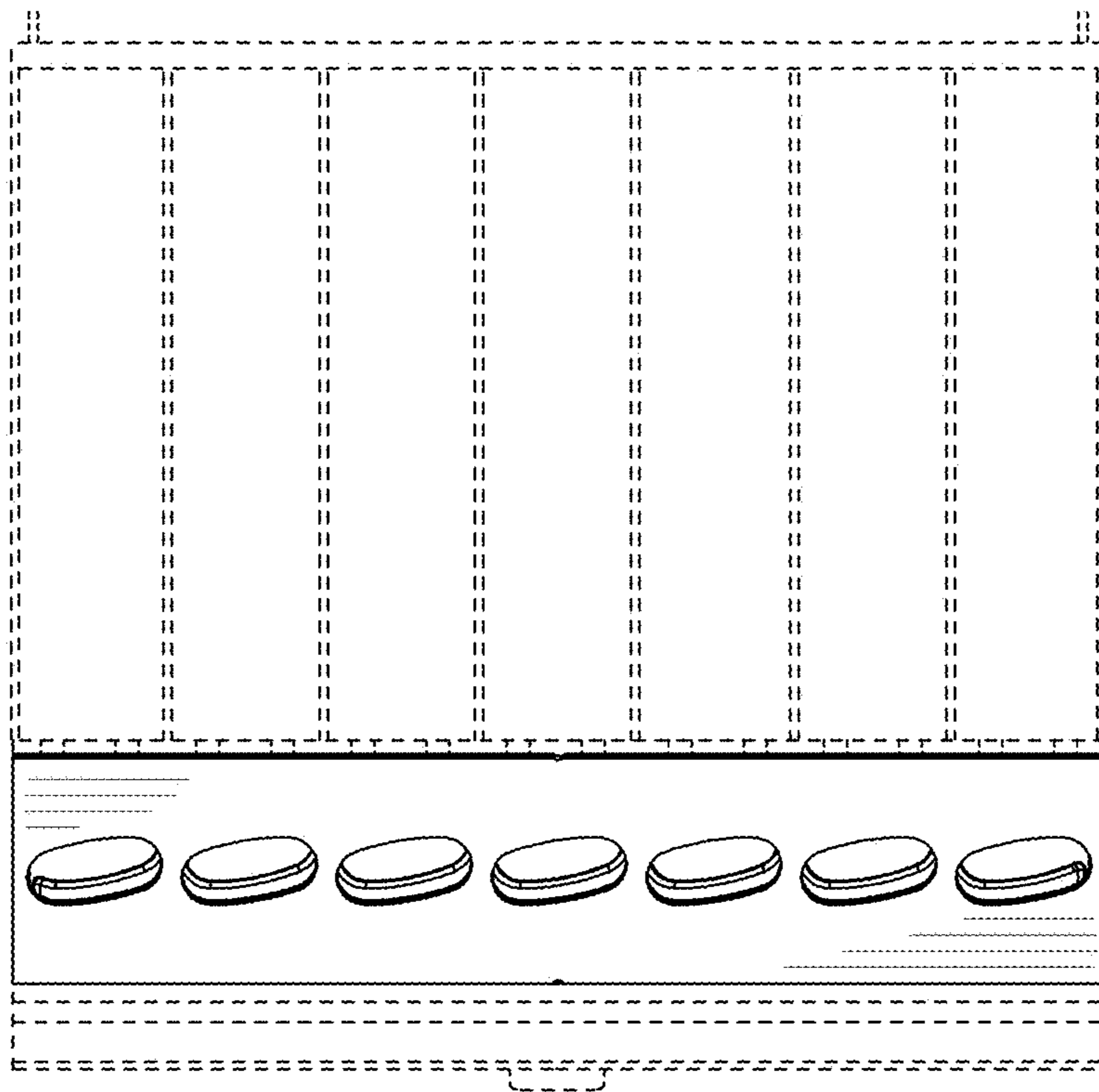


Fig. 3

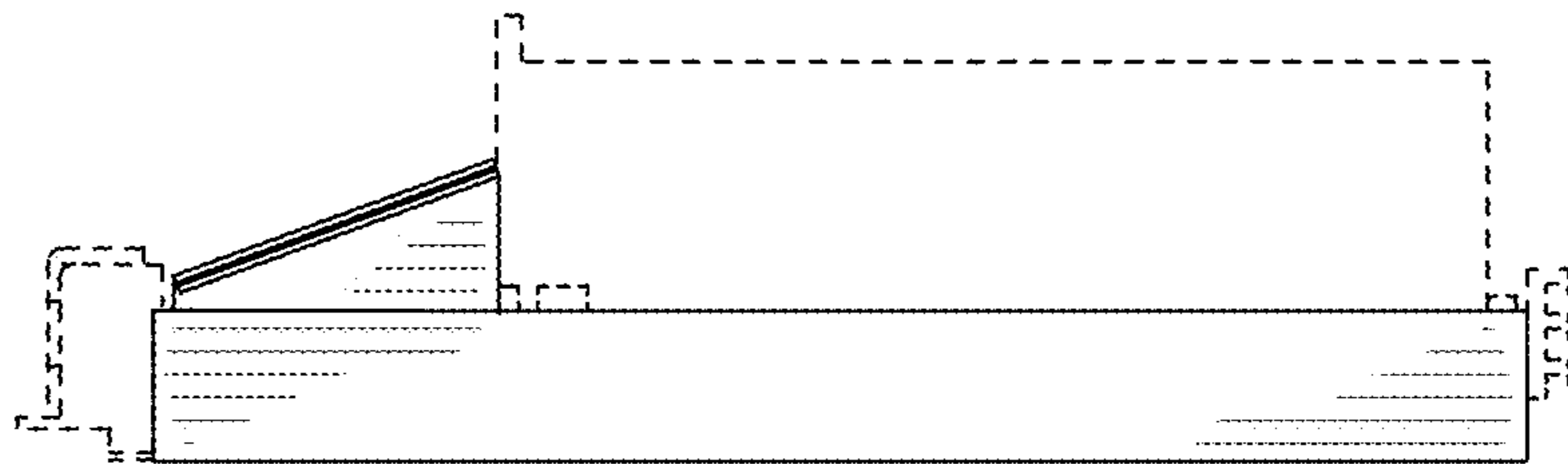


Fig. 4