



US00D891153S

(12) **United States Design Patent** (10) **Patent No.:** **US D891,153 S**
Sumlin (45) **Date of Patent:** **** Jul. 28, 2020**

(54) **DRESSER WITH MIRROR**
(71) Applicant: **Charles Neal Sumlin**, Aguadilla, PR (US)
(72) Inventor: **Charles Neal Sumlin**, Aguadilla, PR (US)
(73) Assignee: **AMINI INNOVATION CORPORATION**, Pico Rivera, CA (US)

(**) Term: **15 Years**

(21) Appl. No.: **29/678,505**

(22) Filed: **Jan. 29, 2019**

(51) **LOC (12) Cl.** **06-04**

(52) **U.S. Cl.**
USPC **D6/664.1**

(58) **Field of Classification Search**
USPC D6/300, 650, 652, 657, 661.3, 663, 665, D6/668, 668.2, 671, 671.1, 671.2
CPC A47B 46/00; A47B 47/00; A47B 47/022; A47B 47/02; A47B 47/04; A47B 55/00; A47B 67/02; A47B 67/04
See application file for complete search history.

(56) **References Cited**

U.S. PATENT DOCUMENTS

D189,040 S *	10/1960	Knudsen	D6/671.1
D216,709 S *	3/1970	Chapin	D6/668.2
D372,377 S *	8/1996	Rosebrock	D6/668.2
D452,088 S *	12/2001	Hokanson	D6/668.2
D473,400 S *	4/2003	O'Hare	D6/668.2
D483,962 S *	12/2003	Stanton	D6/668.2
D487,200 S *	3/2004	Wanek	D6/664.1
D508,794 S *	8/2005	Peterson	D6/668.2
D508,795 S *	8/2005	Mirchand	D6/668.2

D527,203 S *	8/2006	Schmitt	D6/668.2
D699,484 S *	2/2014	James	D6/668.2
D738,141 S *	9/2015	Glattstein	D6/668.2
D791,515 S *	7/2017	Everson	D6/668.2
D850,823 S *	6/2019	Park	D6/668.2
D860,688 S *	9/2019	Schmitt	D6/664.1
D878,800 S *	3/2020	Sumlin	D6/393

OTHER PUBLICATIONS

“YouTube—Michael Amini-Jane Seymour Living—Camden Court Walkthrough Part 2.” Found online Apr. 9, 2020 at www.youtube.com. Video published Sep. 27, 2018. Retrieved from URL: <https://www.youtube.com/watch?v=5njFfojdVbo> (Year: 2018).*

“Silver Chauncey 6 Drawer Double Dresser.” Found online Apr. 9, 2020 at www.wayfair.com. Product reviewed Nov. 30, 2016. Retrieved from URL: <https://www.wayfair.com/furniture/pdp/willa-arlo-interiors-chauncey-6-drawer-double-dresser-w002159085.html> (Year: 2016).*

(Continued)

Primary Examiner — Mary Ann Calabrese

Assistant Examiner — Katelin G Kloberg

(74) *Attorney, Agent, or Firm* — Cisló & Thomas, LLP

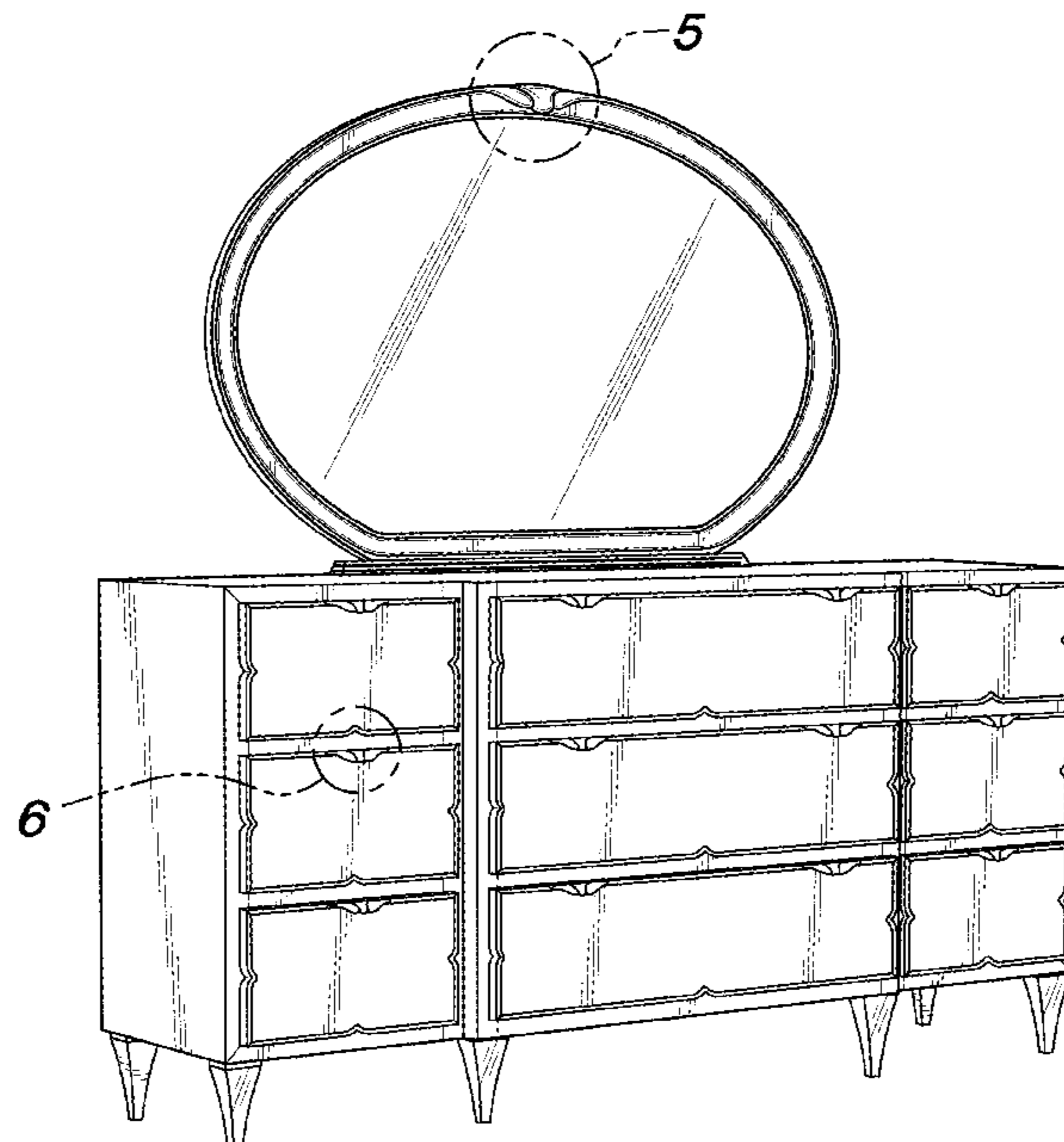
(57) **CLAIM**

I claim the ornamental design for a dresser with mirror, as shown and described.

DESCRIPTION

FIG. 1 is a perspective view of a dresser with mirror, showing my new design;
FIG. 2 is a front view thereof;
FIG. 3 is a right side view, the left side (not shown) is a mirror image thereof;
FIG. 4 is a top view thereof;
FIG. 5 is a close up view of the area designated as “5” in FIG. 1; and,
FIG. 6 is a close up view of the area designated as “6” in FIG. 1.

1 Claim, 4 Drawing Sheets



(56)

References Cited

OTHER PUBLICATIONS

“Gambrell Mirror 6 Drawer Standard Dresser.” Found Apr. 9, 2020 at www.wayfair.com. Product reviewed Jan. 22, 2019. Retrieved from URL: <https://www.wayfair.com/furniture/pdp/everly-quinn-gambrell-mirror-6-drawer-standard-dresserchest-w001953104.html> (Year: 2019).*

“Rima 9 Drawer Dresser.” Found online Apr. 9, 2020 at www.wayfair.com. Product reviewed Oct. 23, 2018. Retrieved from URL: <https://www.wayfair.com/furniture/pdp/house-of-hampton-rima-9-drawer-dresser-w001966771.html> (Year: 2018).*

* cited by examiner

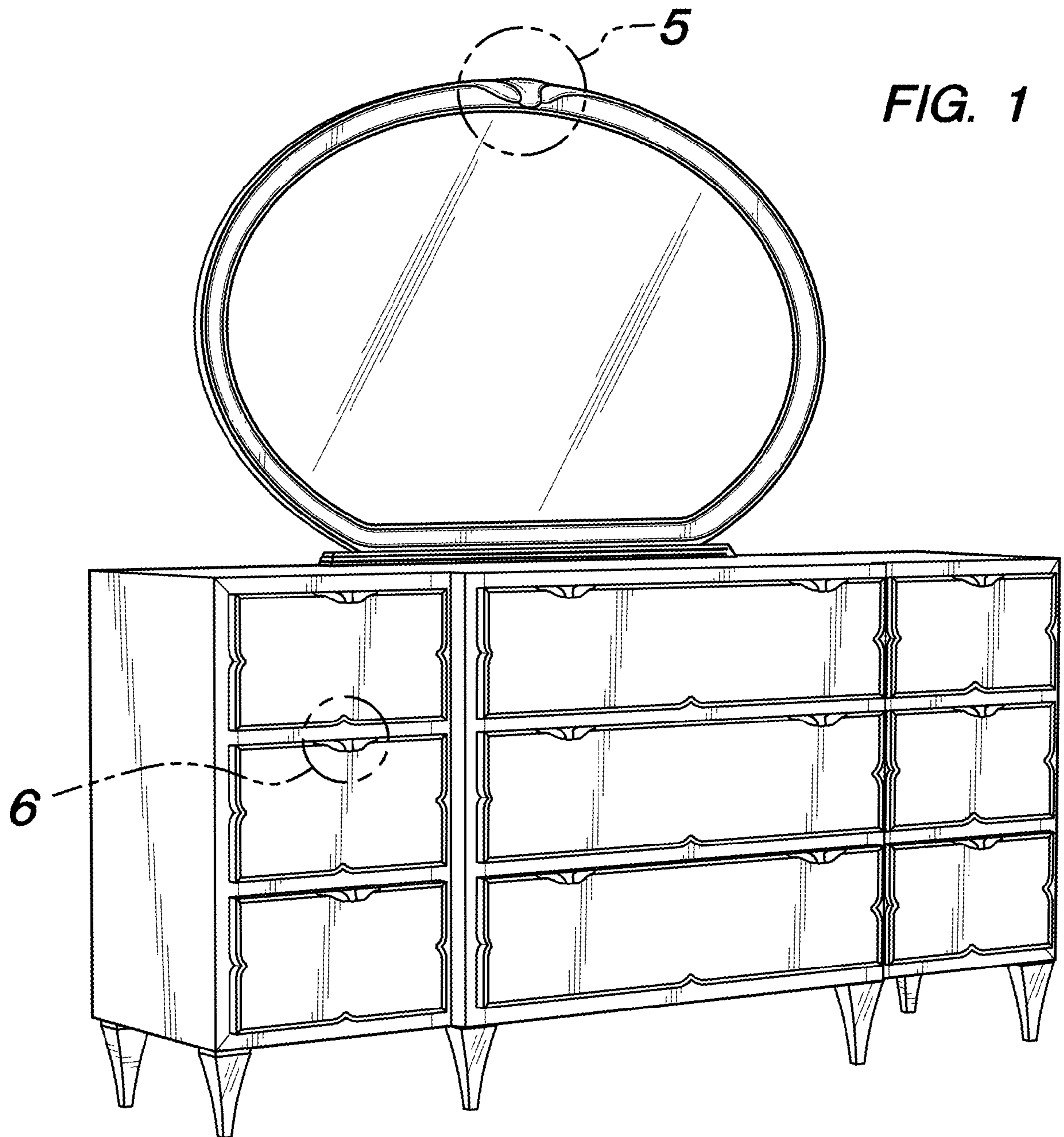


FIG. 2

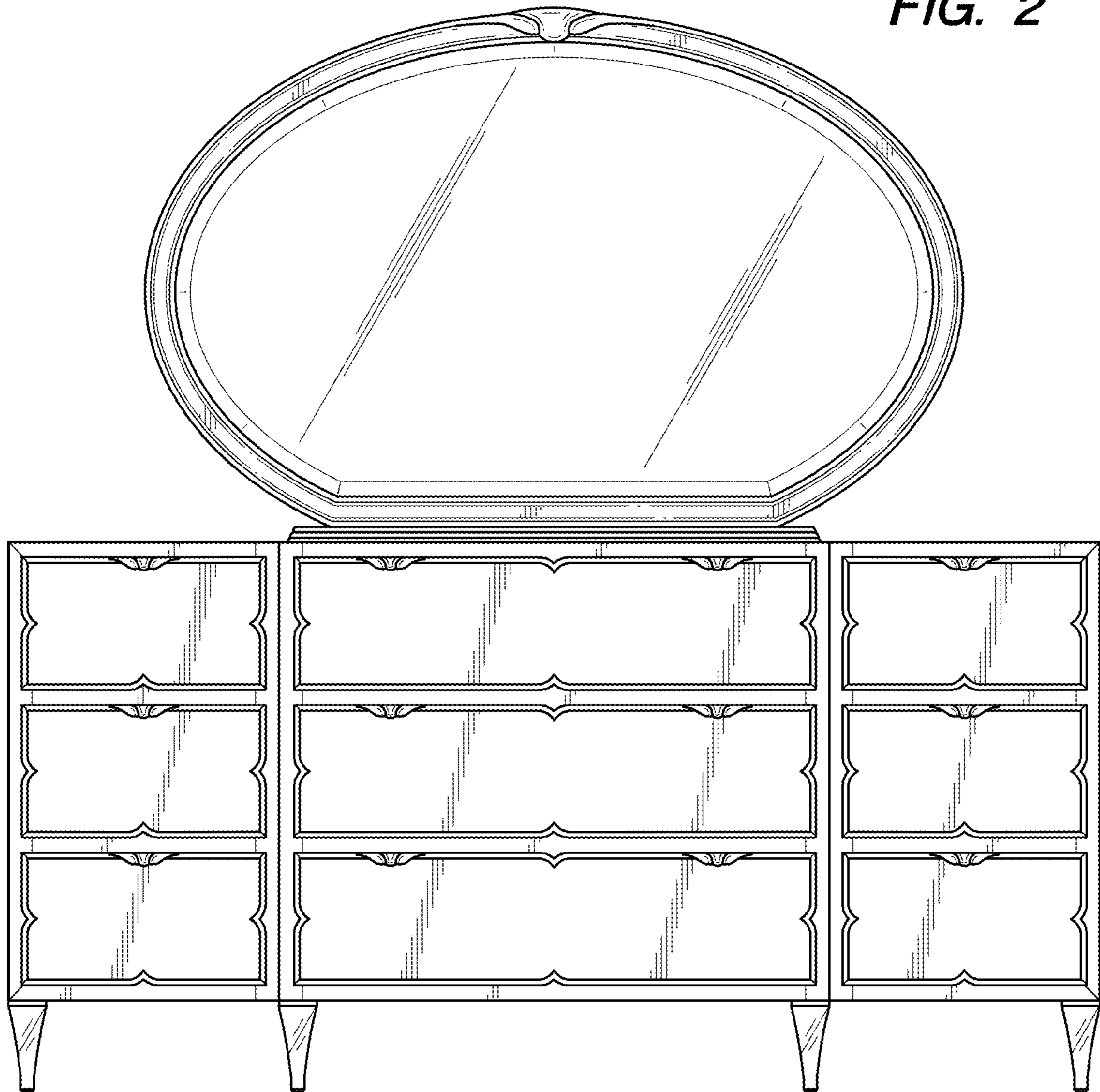
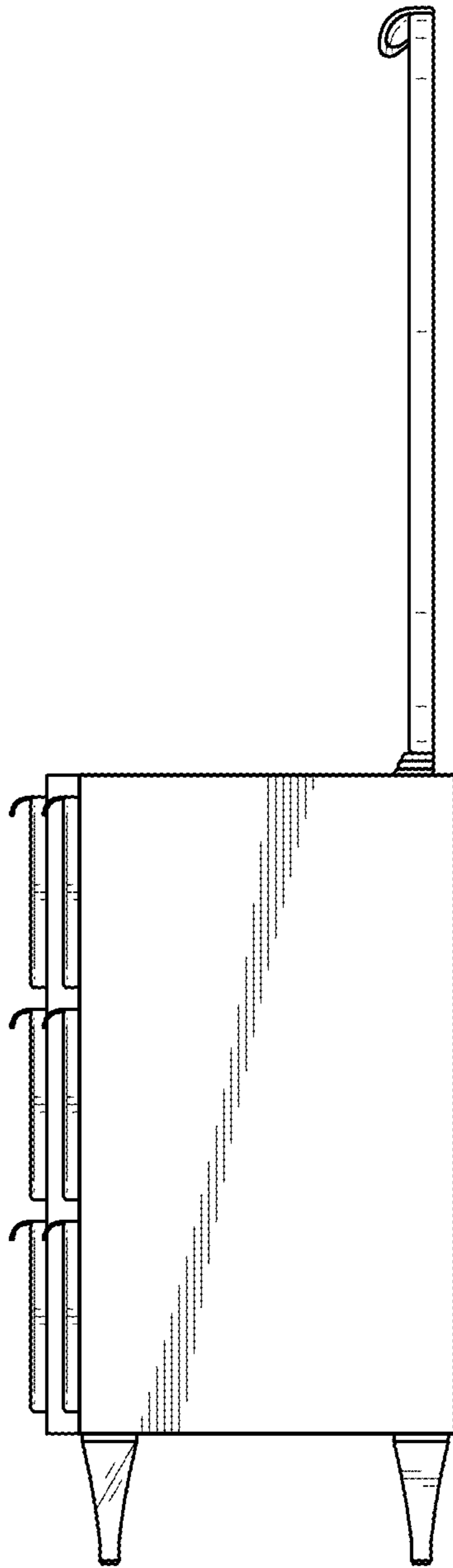


FIG. 3



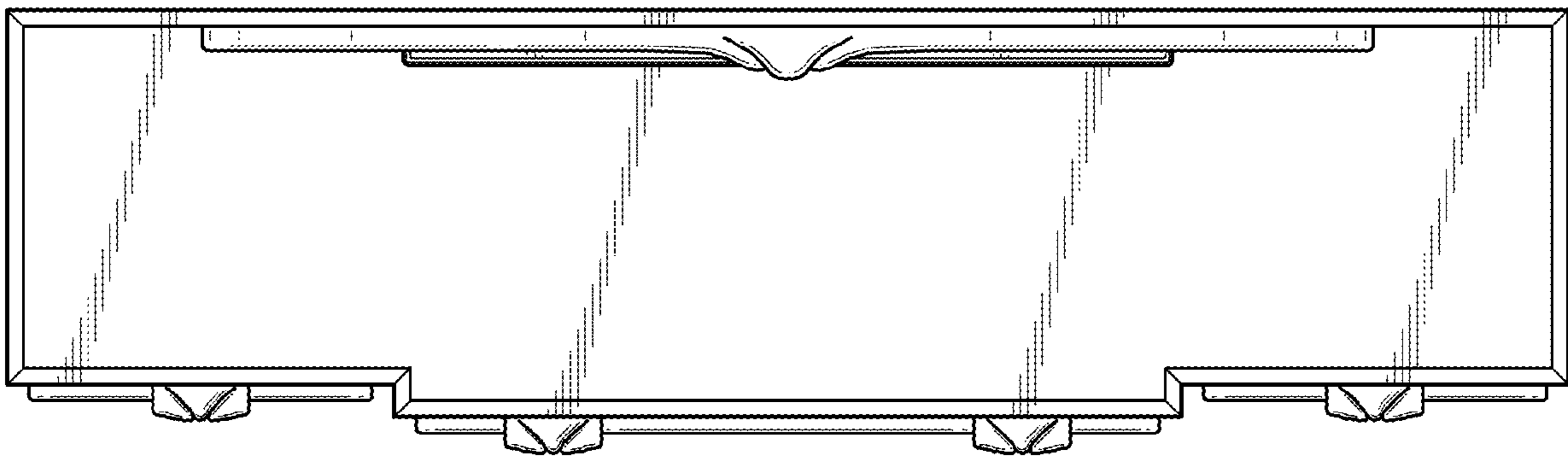


FIG. 4

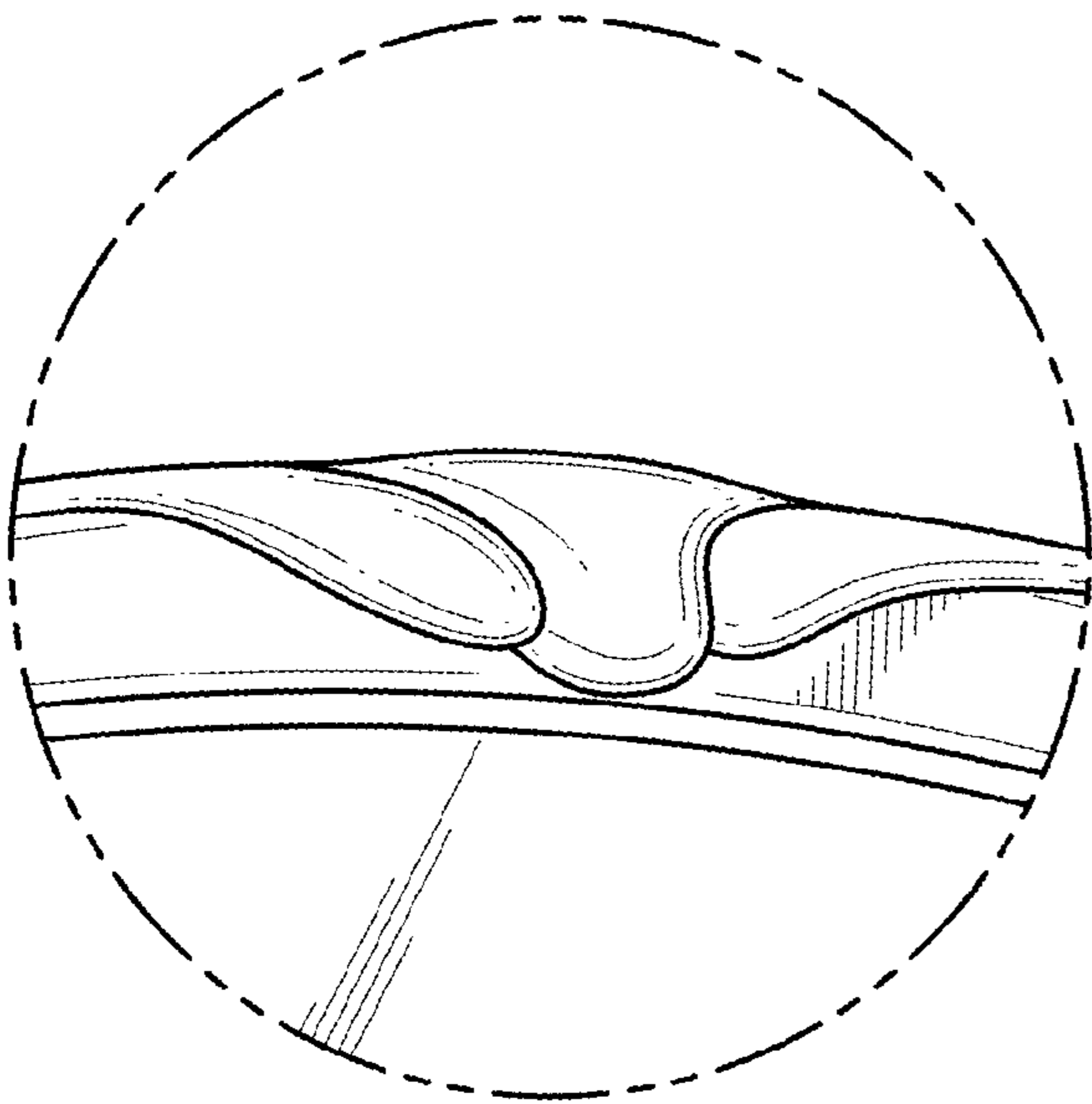


FIG. 5

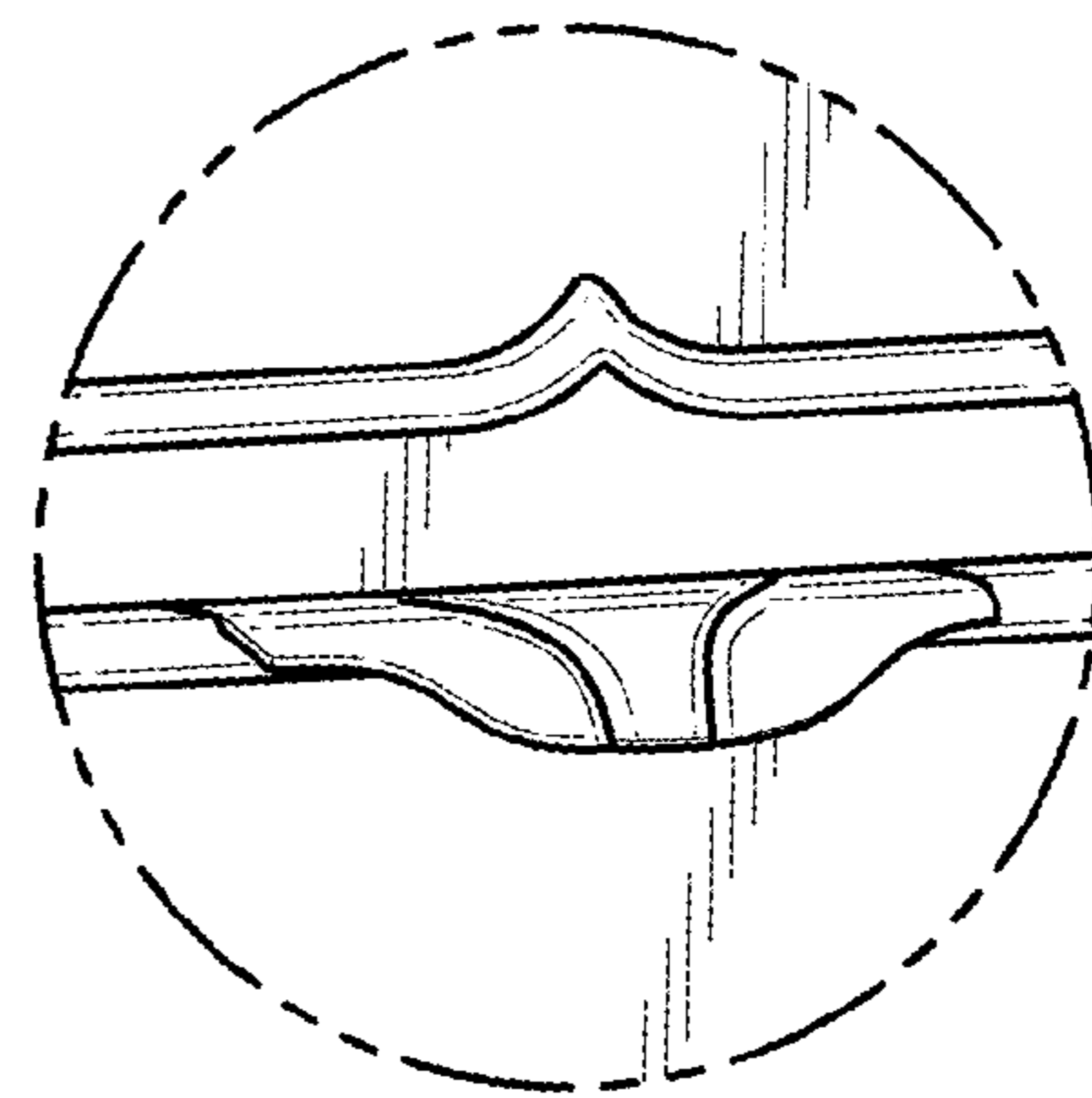


FIG. 6