



US00D891152S

(12) **United States Design Patent**
Papic et al.

(10) **Patent No.:** **US D891,152 S**
(45) **Date of Patent:** **** Jul. 28, 2020**

- (54) **SLATTED EQUIPMENT MOUNT**
- (71) Applicant: **Evans Consoles Corporation**, Calgary, Alberta (CA)
- (72) Inventors: **Matko Papic**, Calgary (CA); **Carlos Renderos**, Calgary (CA); **Richard Game**, Calgary (CA); **Randy Simington**, Calgary (CA)
- (73) Assignee: **Evas Consoles Corporation**, Calgary, Alberta (CA)
- (**) Term: **15 Years**
- (21) Appl. No.: **29/616,097**
- (22) Filed: **Sep. 1, 2017**
- (51) **LOC (12) Cl.** **06-03**
- (52) **U.S. Cl.**
USPC **D6/642**
- (58) **Field of Classification Search**
USPC D8/349, 354, 355, 363, 373-377;
D6/512, 513, 514, 552, 553, 558, 656,
D6/641, 642, 648, 648.1, 648.2, 648.3,
D6/648.4, 649, 653, 655, 655.11, 655.13,
D6/656.15, 699, 707.8, 707.18, 708,
D6/708.16, 708.17, 709, 709.2
CPC .. A47F 5/00; A47H 1/10; A47G 29/00; A47G
29/08; A47B 97/00; A47B 13/003; A47B
13/021; A47B 2013/006; A47B 21/02;
A47B 21/06; A47B 9/20; A47B 13/06;
A47B 2200/0051; A47B 2200/0052;
A47B 57/42; A47B 96/061; A47B
83/001; A47K 3/14; E04B 2002/7483
See application file for complete search history.

- (56) **References Cited**
U.S. PATENT DOCUMENTS
D19,172 S * 6/1889 Coffin D6/714
767,109 A * 8/1904 Green A47B 57/42
108/108

- 4,360,991 A * 11/1982 West E04B 2/7416
312/286
- 4,429,934 A * 2/1984 VandenHoek H02G 3/288
439/207
- 5,004,302 A * 4/1991 Stocking A47B 57/42
108/107
- 5,044,595 A * 9/1991 Carr A47B 97/00
248/460
- 5,088,607 A * 2/1992 Risafi A47B 57/42
211/187
- D334,053 S * 3/1993 Cook D23/370
- 5,269,112 A * 12/1993 Weinrub G09F 15/0068
211/189
- 5,330,058 A * 7/1994 Rice A47F 5/01
211/189
- 5,423,504 A * 6/1995 Shenkar A47B 96/061
211/88.03
- 5,499,868 A * 3/1996 Schainholz A47B 83/001
312/236

(Continued)

Primary Examiner — Mark A Goodwin
Assistant Examiner — Benjamin M Weeks
(74) *Attorney, Agent, or Firm* — Notaro, Michalos & Zaccaria P.C.

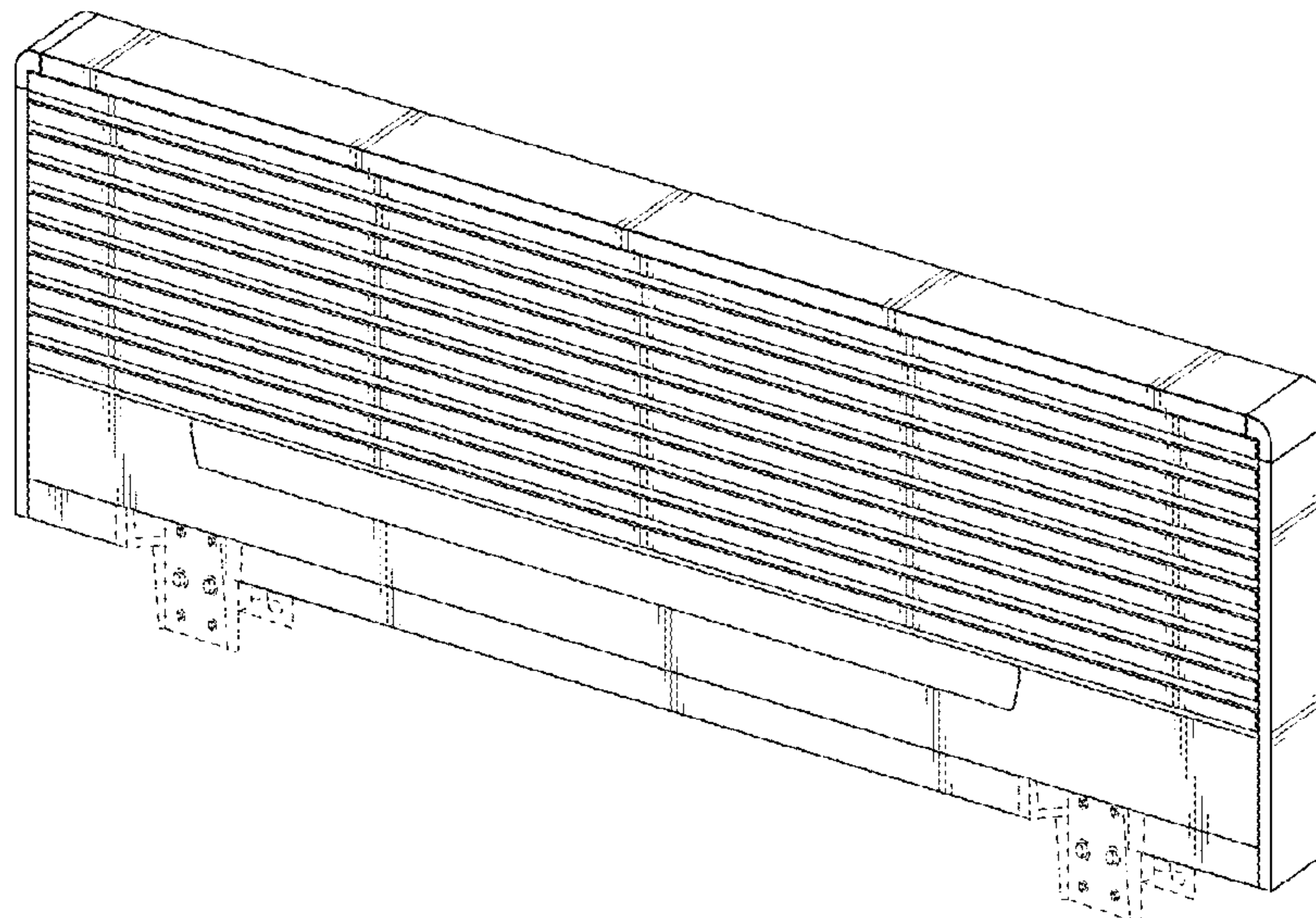
(57) **CLAIM**

The ornamental design for a slatted equipment mount, as shown and described.

DESCRIPTION

FIG. 1 is a front view of a slatted equipment mount as shown and described;
FIG. 2 is a front elevational view thereof;
FIG. 3 is a rear elevational view thereof;
FIG. 4 is a top plan view thereof;
FIG. 5 is a right side elevational view thereof; and,
FIG. 6 is a left side elevational view thereof.
The broken lines are to illustrate the environment only and form no part of the claimed design.

1 Claim, 3 Drawing Sheets



(56)

References Cited

U.S. PATENT DOCUMENTS

5,580,018	A *	12/1996	Remmers	A47B 55/02	108/152
5,803,146	A *	9/1998	Boon	E04B 2/7416	160/135
D401,451	S *	11/1998	Sherman	D6/682.4	
5,836,121	A *	11/1998	Hofman	E04B 2/7425	52/241
5,857,577	A *	1/1999	Thomas	A47B 57/26	211/94.01
5,918,432	A *	7/1999	Mahone	A47B 47/00	52/220.2
5,921,414	A *	7/1999	Burke	A47B 57/42	211/187
5,924,663	A *	7/1999	Gatto	A47F 5/101	248/231.71
5,938,302	A *	8/1999	Anderson	A47B 96/145	312/198
5,988,076	A *	11/1999	Vander Park	A47B 21/06	108/50.02
6,021,909	A *	2/2000	Tang	H02B 1/36	211/183
6,101,859	A *	8/2000	Shieh	A47B 83/001	29/896.6
6,102,219	A *	8/2000	Wang	A47B 87/00	211/194
6,397,534	B1 *	6/2002	Hager	A47F 5/0846	160/351
6,425,219	B1 *	7/2002	Barmak	E04B 2/7425	52/238.1
6,726,035	B2 *	4/2004	Zadak	A47B 57/42	211/106
D559,565	S *	1/2008	Bakker	D6/332	
D594,255	S *	6/2009	Iwamuro	D6/642	
7,997,213	B1 *	8/2011	Gauthier	B65D 88/129	108/53.1
D648,568	S *	11/2011	Cortivo	D6/648	
8,076,574	B2 *	12/2011	Irmer	H02B 1/50	174/17 R
8,172,098	B2 *	5/2012	Eustace	A47B 47/021	211/189
8,186,281	B2 *	5/2012	Bastian	A47B 21/06	108/50.02
D673,402	S *	1/2013	Kuzyk	D6/703	
D694,393	S *	11/2013	Funnell, II	D23/372	
8,646,624	B2 *	2/2014	Fernandez	A47B 45/00	108/108
8,677,912	B1 *	3/2014	Tsai	F16C 11/10	108/132
8,727,293	B2 *	5/2014	Tait	A47F 5/00	248/309.1
D724,356	S *	3/2015	Weatherly	D6/661	
D733,476	S *	7/2015	Papic	D6/655.16	
9,119,471	B2 *	9/2015	Gonzalez	A47B 96/1408	
9,161,622	B1 *	10/2015	Dressendorfer	A47B 83/001	
9,277,814	B2 *	3/2016	Winker	A47B 87/005	
9,386,854	B1 *	7/2016	Wosoba	A47B 96/061	
9,635,931	B2 *	5/2017	Mandon	A47B 21/06	
D790,882	S *	7/2017	Arthur	D6/648	
9,706,839	B2 *	7/2017	Dilmaghani	A47B 87/002	
D817,053	S *	5/2018	Arthur	D6/714	
D817,054	S *	5/2018	Hannoosh	D6/714	
9,999,295	B1 *	6/2018	Game	F16M 11/28	
10,021,972	B1 *	7/2018	Robinson	A47B 57/487	
10,041,624	B2 *	8/2018	Christen	A47C 3/40	
10,058,172	B2 *	8/2018	Staib	A47B 96/1441	
D832,014	S *	10/2018	Cheng	D6/707.18	
10,098,460	B1 *	10/2018	Brinton, Jr.	A47B 96/145	
D841,367	S *	2/2019	Tarkiainen	D6/648.1	
D842,449	S *	3/2019	Chang	D23/412	
10,264,879	B2 *	4/2019	Game	A47B 87/002	
10,306,981	B2 *	6/2019	Buck	A47F 1/126	
10,424,949	B2 *	9/2019	Chen	A47B 81/00	
10,512,327	B2 *	12/2019	Pappas	H05K 7/20172	
10,513,886	B2 *	12/2019	Leng	F16B 12/50	
D872,249	S *	1/2020	Schanzenbach	D23/371	
D874,189	S *	2/2020	Papic	D6/656	
D874,190	S *	2/2020	Papic	D6/656	
2002/0017839	A1 *	2/2002	Wei	A63F 9/00	312/265.1
2008/0010935	A1 *	1/2008	Nagel	A47B 9/00	52/474
2010/0213803	A1 *	8/2010	Schell	H02B 1/301	312/326
2010/0288168	A1 *	11/2010	Rheault	A47B 13/10	108/28
2010/0308703	A1 *	12/2010	Schell	H02B 1/21	312/265.1
2012/0187814	A1 *	7/2012	Fryling	A47B 17/003	312/265.1
2012/0229007	A1 *	9/2012	Fan	H05K 7/1489	312/223.1
2014/0124468	A1 *	5/2014	Lundrigan	A47B 87/0284	211/182
2015/0096472	A1 *	4/2015	Papic	A47B 13/003	108/28
2015/0136336	A1 *	5/2015	Huang	E06B 9/322	160/170
2016/0123073	A1 *	5/2016	Chen	E06B 9/34	160/170

* cited by examiner

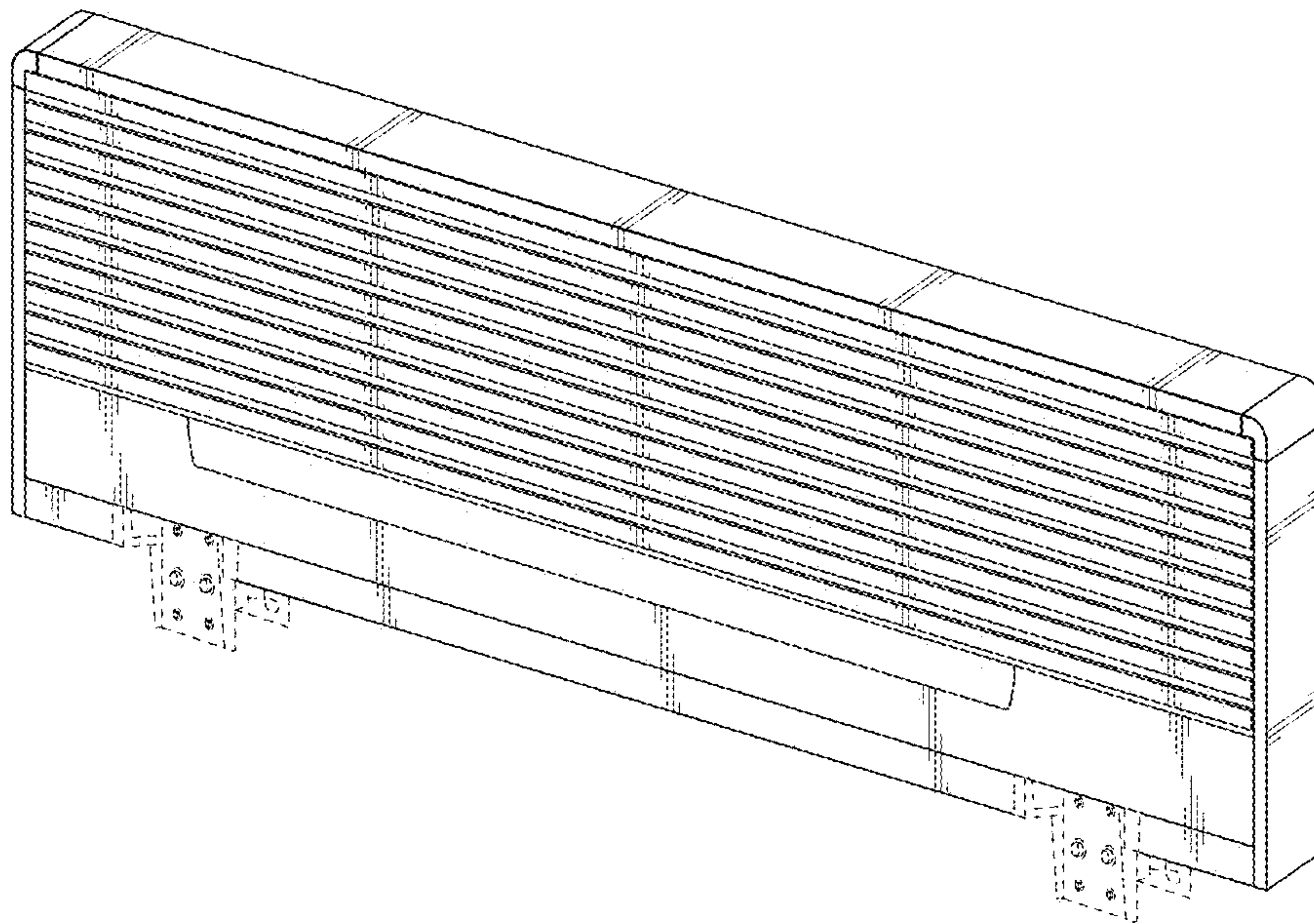


FIG. 1

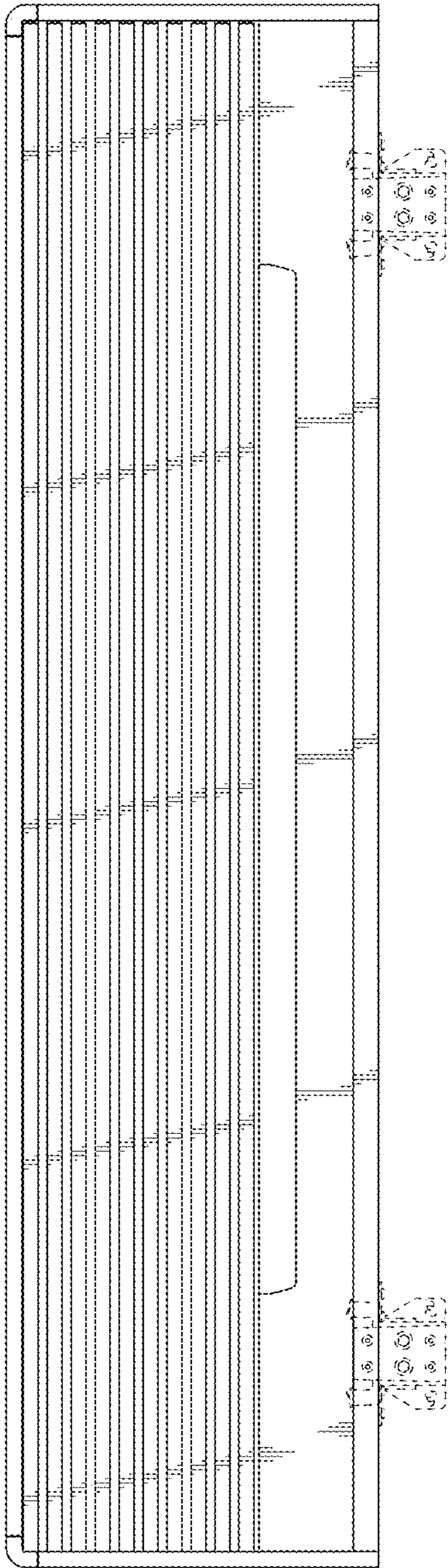


FIG. 2

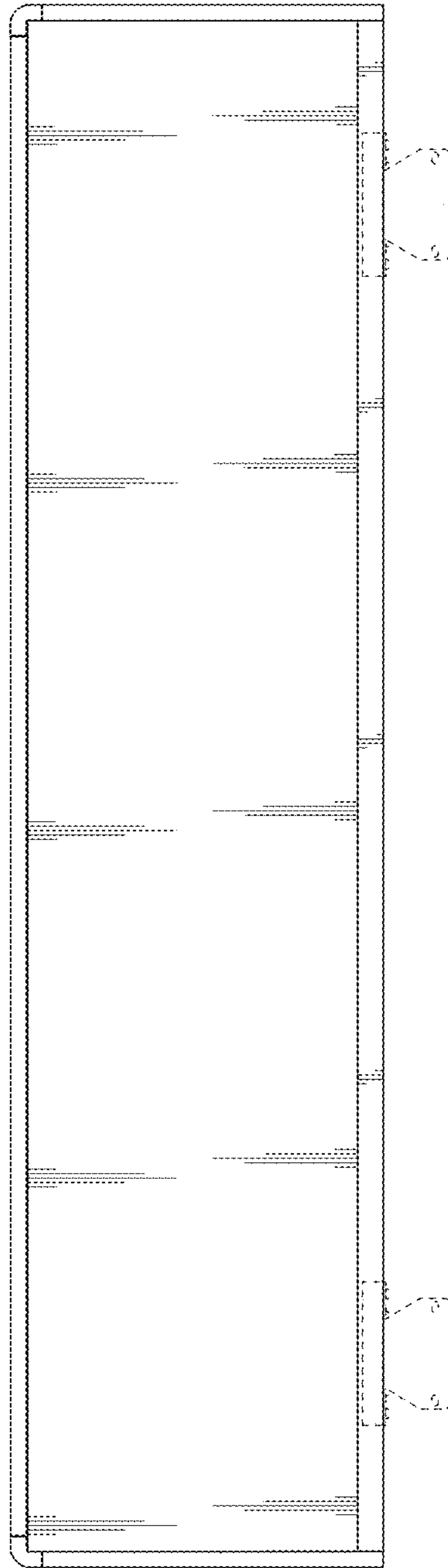


FIG. 3

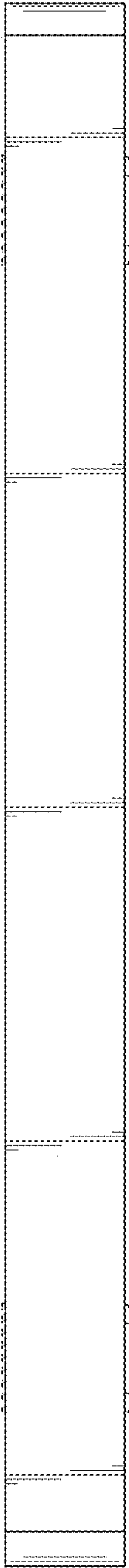


FIG. 4

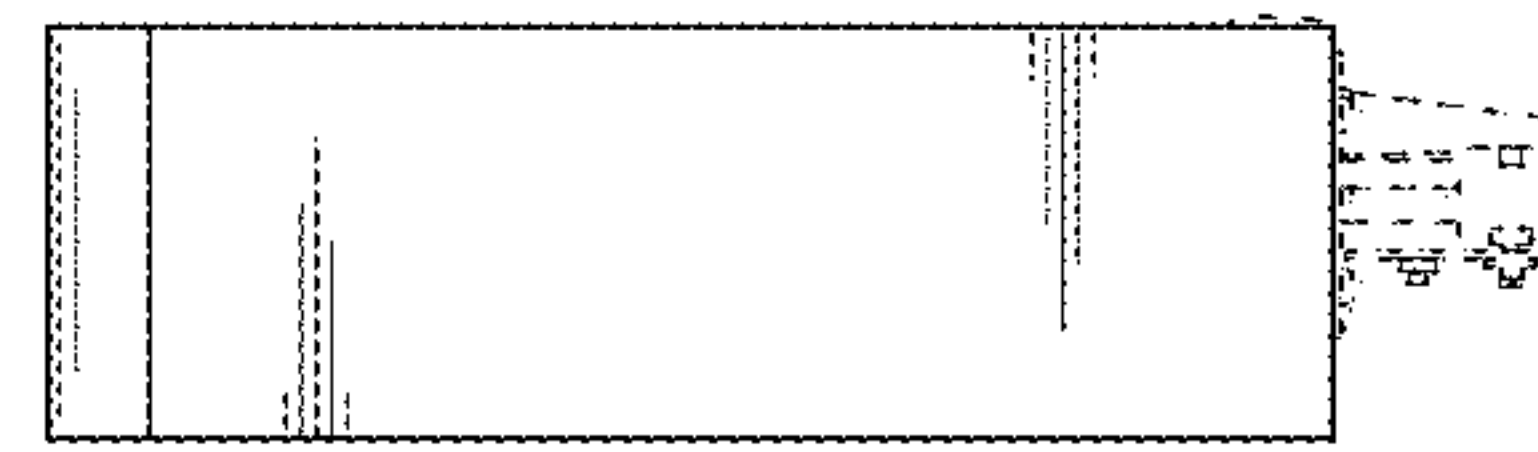


FIG. 5



FIG. 6