



US00D891151S

(12) **United States Design Patent** (10) **Patent No.:** **US D891,151 S**
Owers (45) **Date of Patent:** **** Jul. 28, 2020**

(54) **OUTDOOR FURNITURE COVER**
(71) Applicant: **Harlie Holdings Pty Ltd**, Surry Hills (AU)
(72) Inventor: **Felicia Anne Owers**, Frenches Forest (AU)
(73) Assignee: **Harlie Holdings Pty Ltd**, Surry Hills (AU)
(**) Term: **15 Years**
(21) Appl. No.: **29/712,195**
(22) Filed: **Nov. 6, 2019**
(51) **LOC (12) Cl.** **06-13**
(52) **U.S. Cl.**
USPC **D6/617**
(58) **Field of Classification Search**
USPC D5/55, 56, 59, 63; D6/583, 594, 603, D6/610, 612, 613, 616, 617, 618; D12/401
CPC A47B 13/086; A47B 13/10; A47G 11/003; A47G 11/004; A47G 11/006; A47G 2021/002; A47G 27/02; A47G 9/0246; D05B 77/00
See application file for complete search history.

(56) **References Cited**
U.S. PATENT DOCUMENTS
3,156,280 A * 11/1964 Affholter A47G 11/004 108/90
D674,646 S * 1/2013 Valenta D6/610
D699,054 S * 2/2014 Forlin A47G 11/004 D6/610
D749,877 S * 2/2016 Rosenberg D6/612
D838,997 S * 1/2019 Zdralic D5/7
D867,789 S * 11/2019 Fu D6/610
2010/0132595 A1 * 6/2010 Gledhill A47G 11/003 108/90

2010/0158413 A1 * 6/2010 Alveraz A47G 11/004 383/4
2010/0224104 A1 * 9/2010 Swistun A47G 11/004 108/90
2011/0120360 A1 * 5/2011 Birdwell A47G 11/004 112/475.08
(Continued)

OTHER PUBLICATIONS

Outdoor Premium Waterproof Furniture Rectangular Patio Set [online], [site visited Jun. 4, 2020]. Available from internet, URL:<https://www.ebay.com/itm/Outdoor-Premium-Waterproof-Furniture-Rectangular-Patio-Set-Table-Chair-Cover-XL/153897362964?epid=20009578625&hash=item23d4ff6614:g:LtMAAOSwswdelUgC> (Year: 2020).*

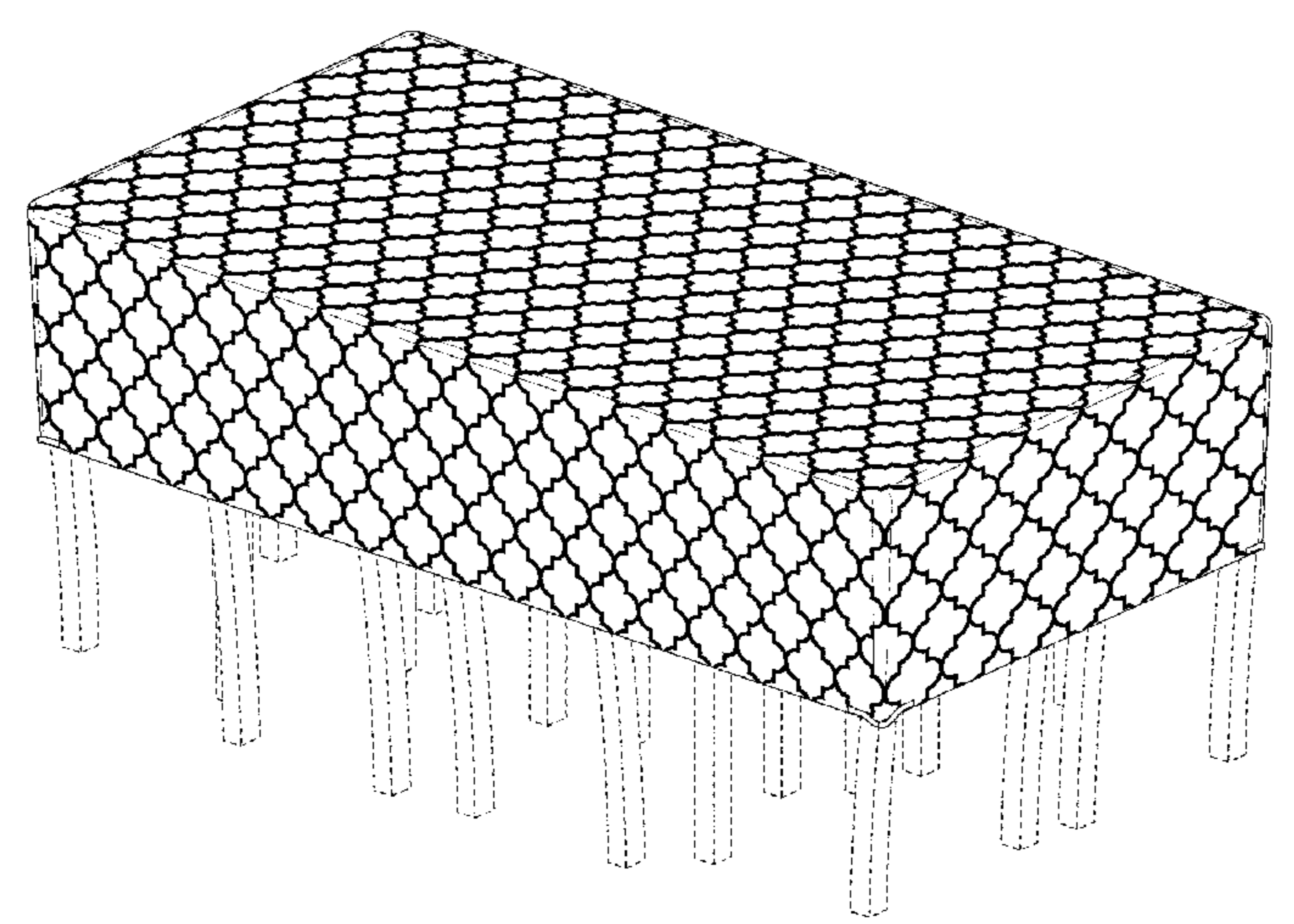
(Continued)

Primary Examiner — Cynthia Ramirez
Assistant Examiner — Xavier Marti-Santos
(74) *Attorney, Agent, or Firm* — Eric Karich; Karich & Associates

(57) **CLAIM**
The ornamental design for an outdoor furniture cover, as shown and described.

DESCRIPTION

FIG. 1 is a perspective view of an outdoor furniture cover showing my new design;
FIG. 2 is a front elevational view of the outdoor furniture cover;
FIG. 3 is a rear elevational view thereof;
FIG. 4 is a left side elevational view thereof
FIG. 5 is a right side elevational view thereof;
FIG. 6 is a top plan view thereof; and,
FIG. 7 is a bottom plan view thereof.
The cross-hatching shading in the Figures is fragmentarily shown for convenience of illustration, it being understood that the cross-hatching is uniformly continued over the surface on which it appears.
(Continued)



The broken lines shown in the drawings are to show environment and form no part of the claimed design.

1 Claim, 3 Drawing Sheets

(56)

References Cited

U.S. PATENT DOCUMENTS

2017/0347817 A1* 12/2017 Dessaint Kimura
A47G 11/004
2018/0303256 A1* 10/2018 Sturgeon A47C 21/028
2018/0344061 A1* 12/2018 Simmons-Ellis A47G 21/167

OTHER PUBLICATIONS

Tektrum cover [online], [site visited Jun. 4, 2020]. Available from internet, URL: <<https://www.walmart.com/ip/Banquet-Proof-Stain-Spill-Rectangular-Dinner-Grey-X-Table-Quatrefoil-Light-Moroccan-Free-Resistant-Waterproof-Wrinkle-Tektrum-Great-Microfiber-Cover-/584503199?wmlspartner=wlp&selectedSellerId=3746>> (Year: 2020).*

* cited by examiner

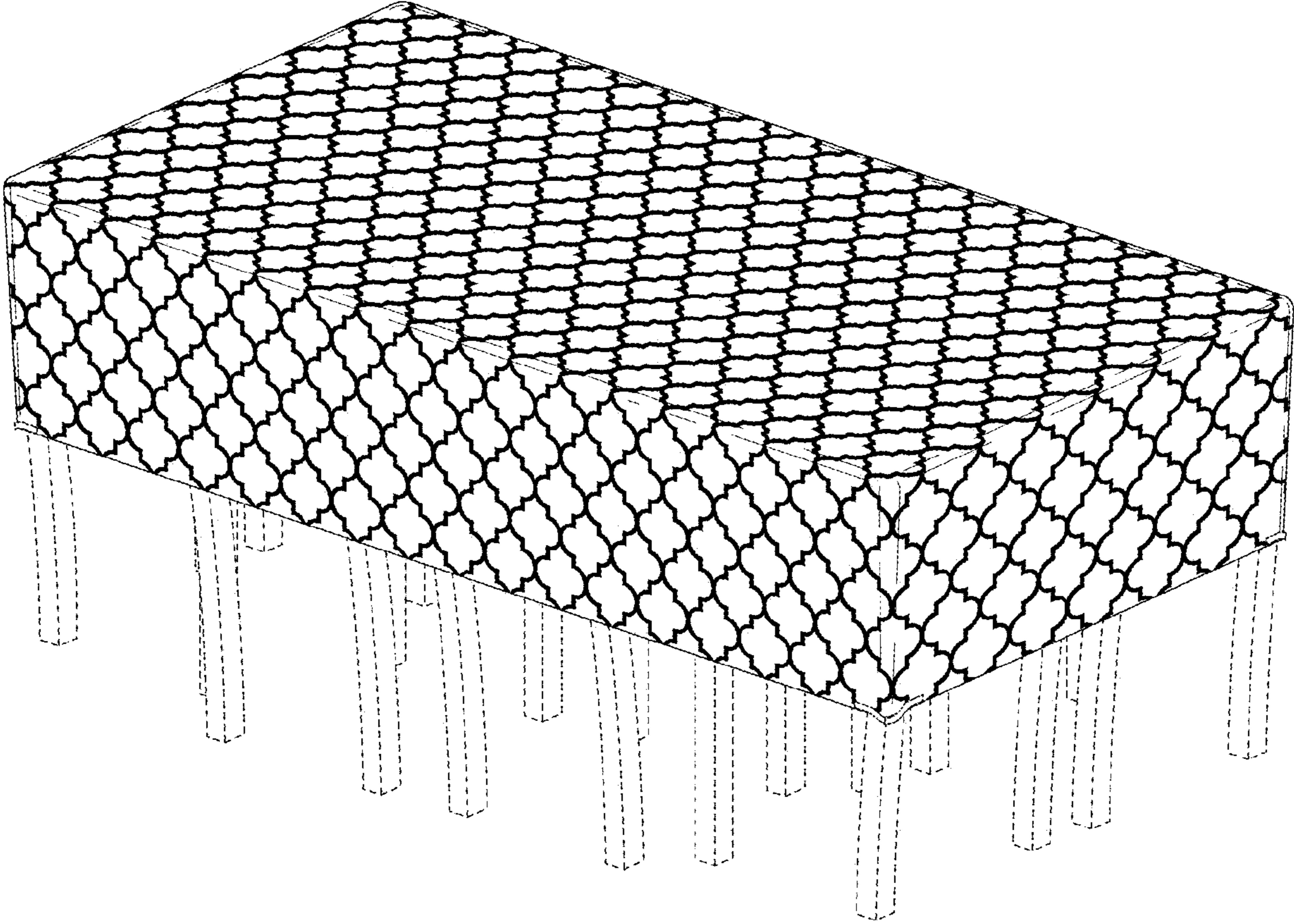


Fig. 1

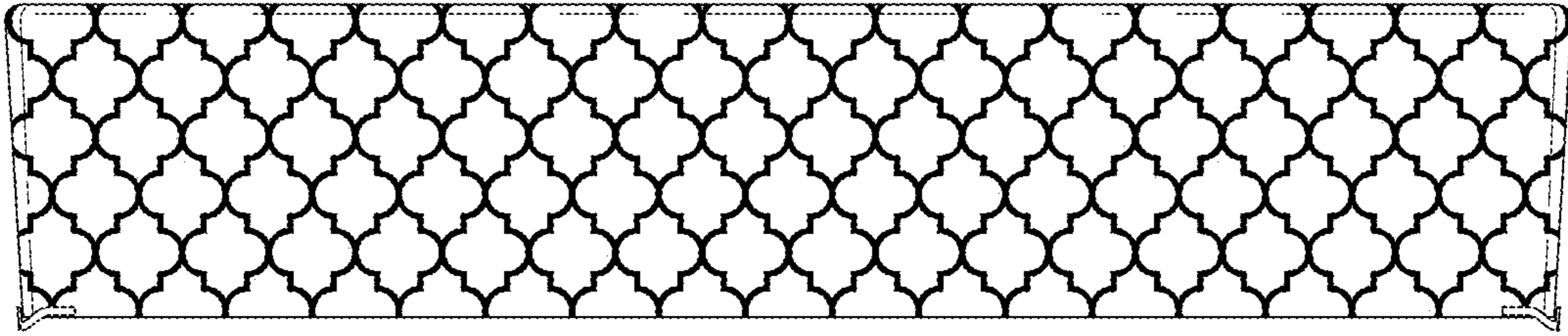


Fig. 2

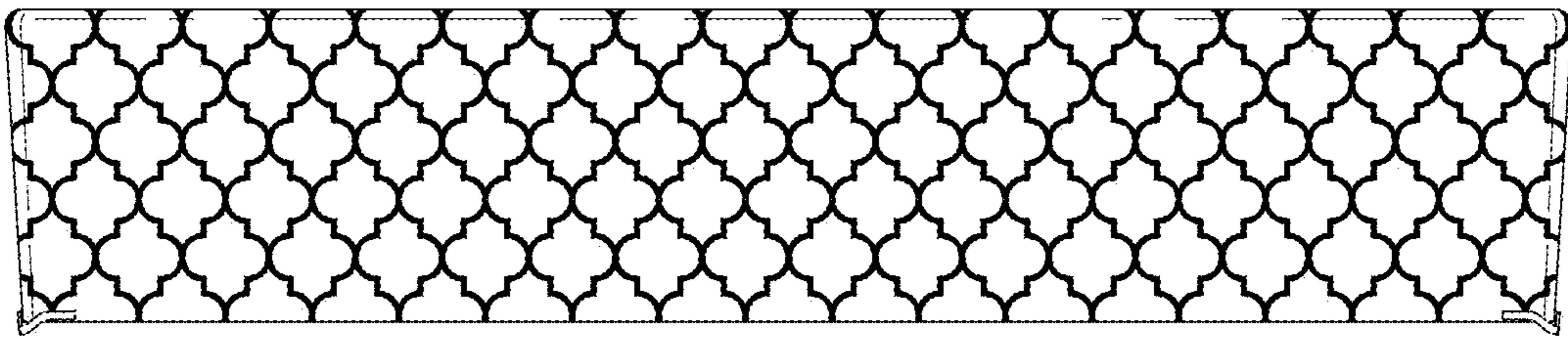


Fig. 3

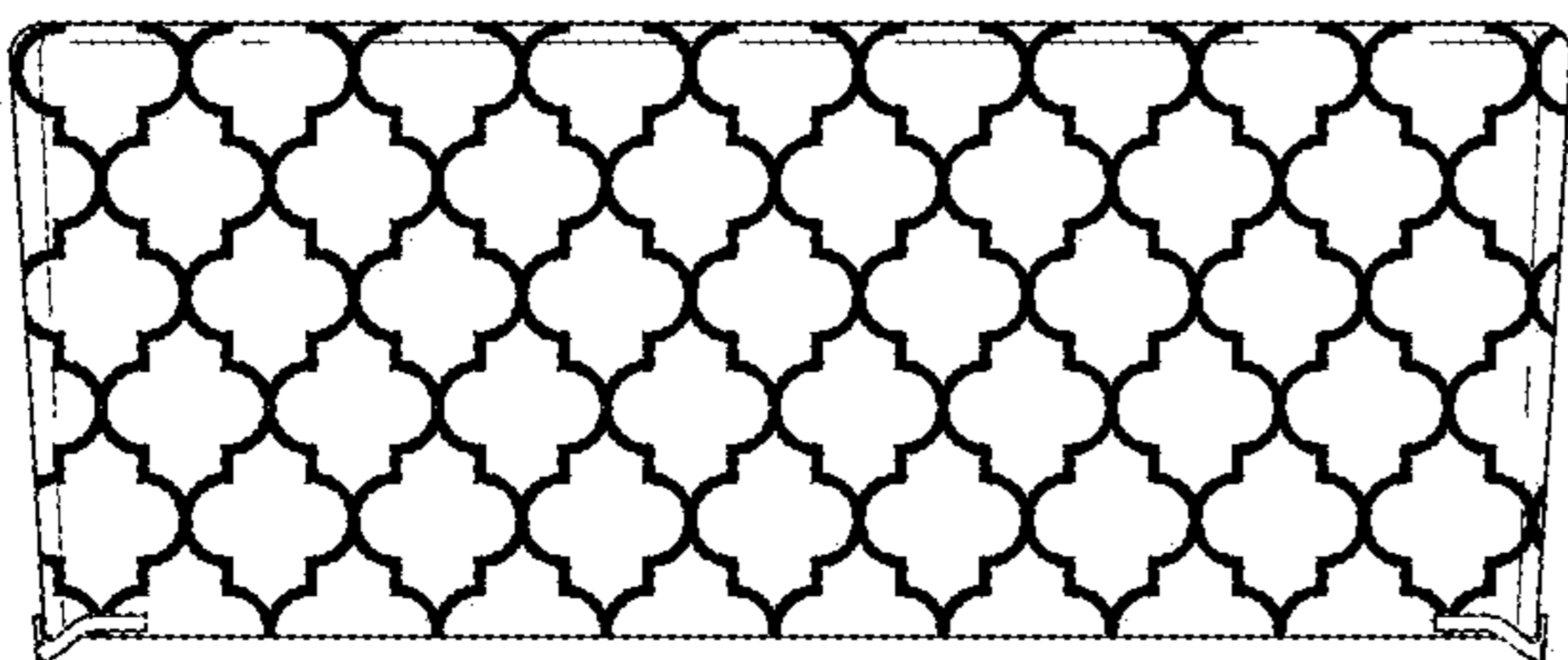


Fig. 4

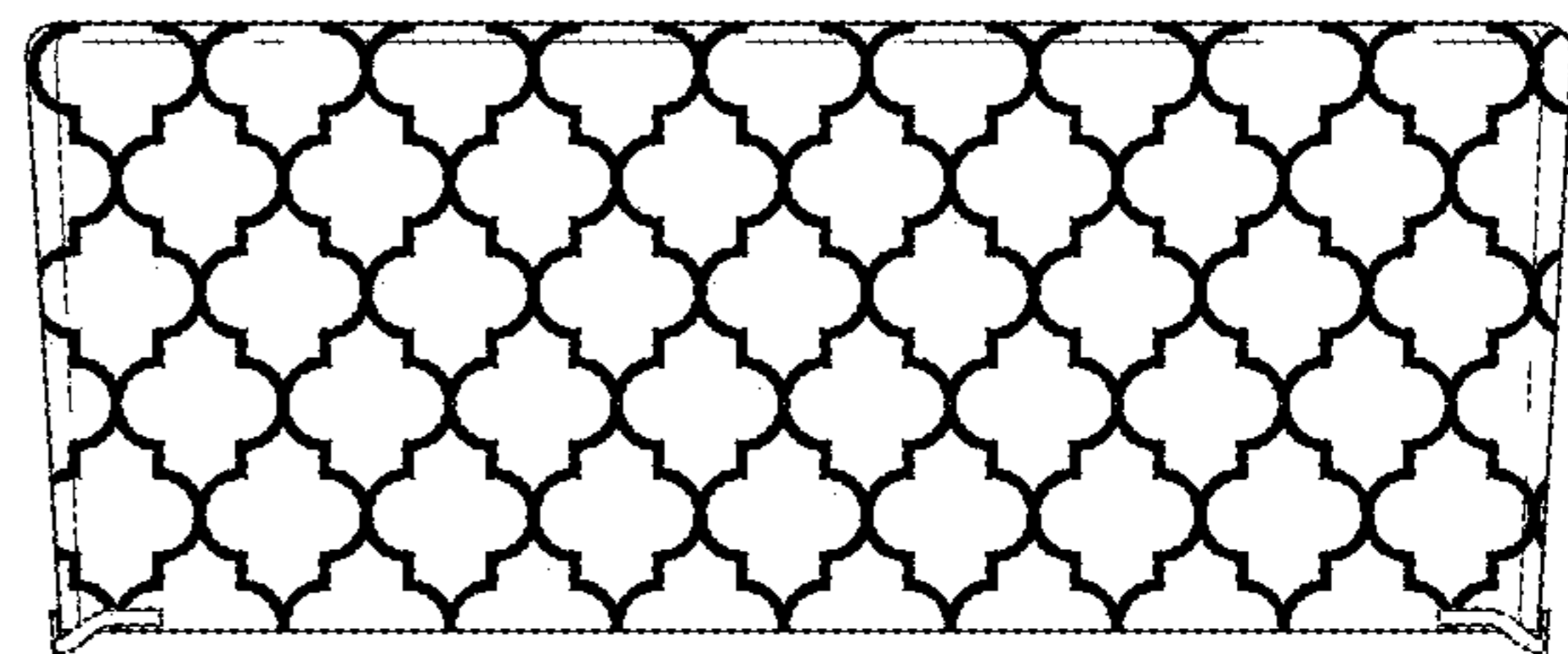


Fig. 5

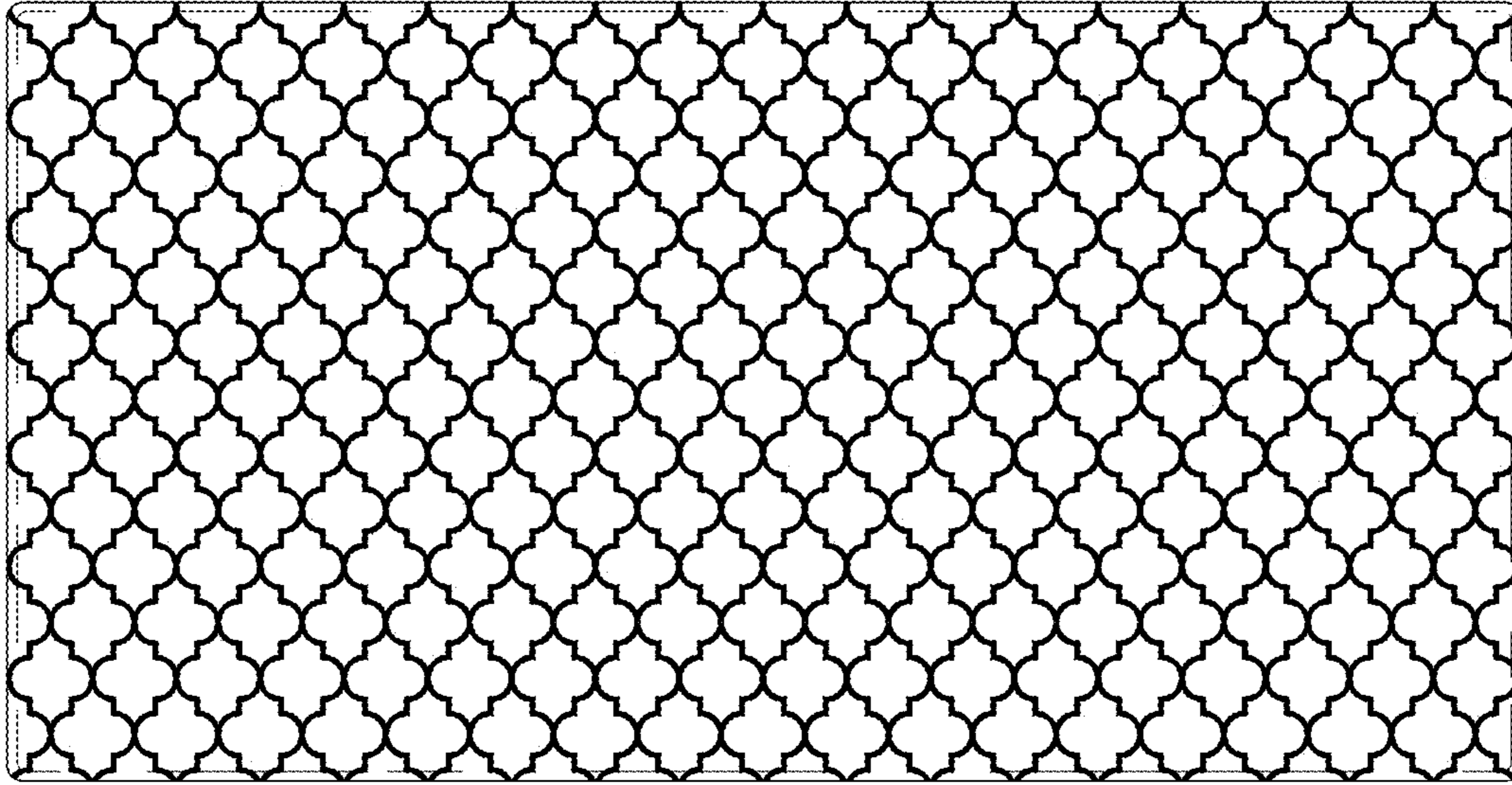


Fig. 6

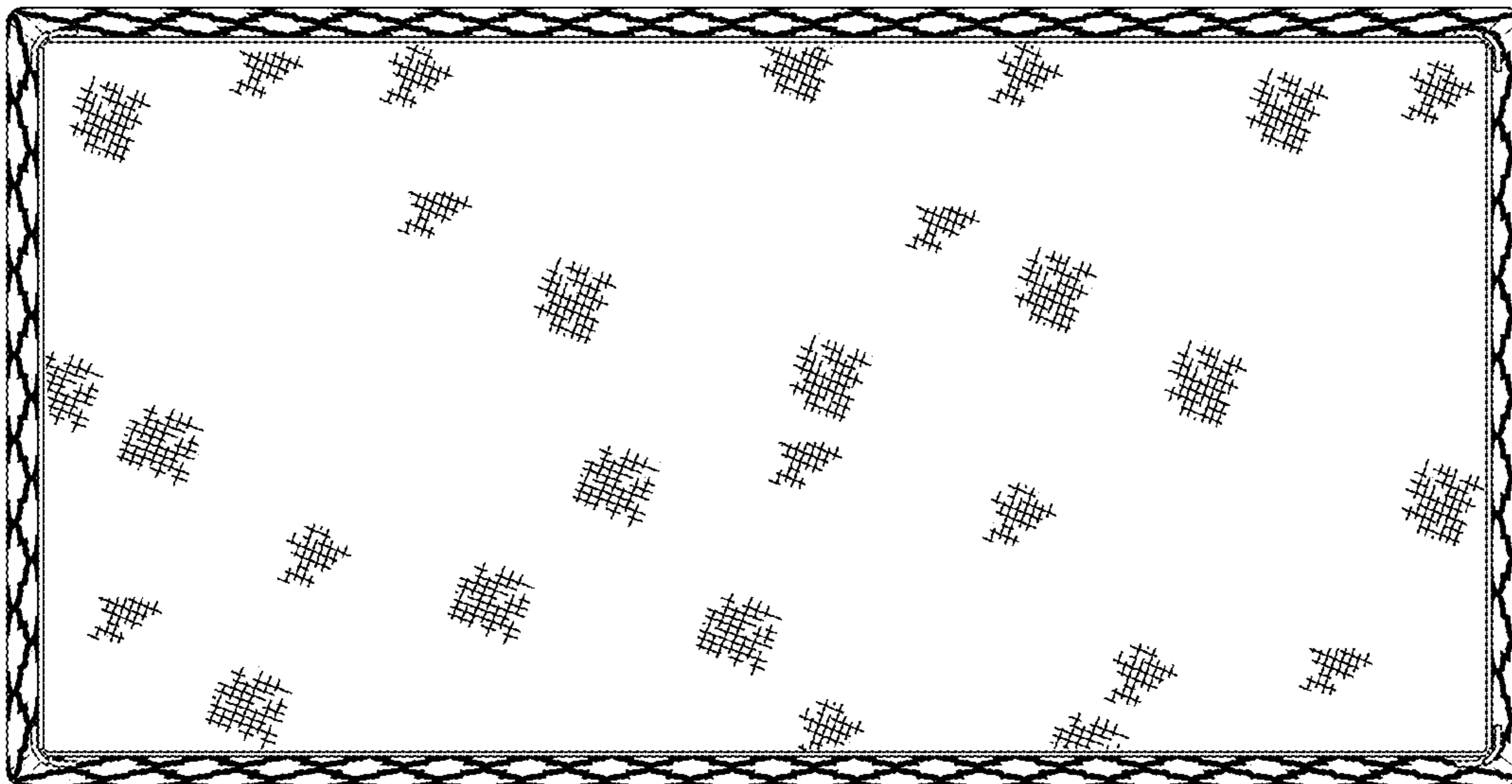


Fig. 7