

US00D891150S

(12) **United States Design Patent**
Prashar

(10) **Patent No.:** **US D891,150 S**

(45) **Date of Patent:** **** Jul. 28, 2020**

(54) **ADJUSTABLE FEET WARMING BLANKET**

(71) Applicant: **Veenu Prashar**, Menlo Park, CA (US)

(72) Inventor: **Veenu Prashar**, Menlo Park, CA (US)

(**) Term: **15 Years**

(21) Appl. No.: **29/640,502**

(22) Filed: **Mar. 15, 2018**

(51) **LOC (12) Cl.** **06-13**

(52) **U.S. Cl.**
USPC **D6/603**

(58) **Field of Classification Search**

USPC D6/333, 349, 355, 375, 388, 512, 563,
D6/564, 595, 596, 601, 602, 603, 604,
D6/605, 606, 607, 608, 707, 715, 716,
D6/716.1; 5/636, 490, 491, 495;
D24/183-184

CPC A47C 17/021; A47C 17/13; A47C 17/132;
A47C 17/136; A47C 17/1655; A47C
17/207; A47G 9/10; A47G 9/1027; A47G
9/1081; A47G 9/1036; A47G 9/1063;
A47G 2009/1018; A47G 9/0238; A47G
9/0246; A47G 9/0253

See application file for complete search history.

(56) **References Cited**

U.S. PATENT DOCUMENTS

| | | | |
|---------------|--------|-------------------|--------------|
| D137,638 S * | 4/1944 | Spiro, Jr. | D6/610 |
| 2,537,652 A * | 1/1951 | Churchill | A47C 27/005 |
| | | | 5/499 |
| 2,705,325 A * | 4/1955 | Bogenberger | A41D 13/0015 |
| | | | 2/69 |
| 2,850,617 A * | 9/1958 | Coldren | A61F 7/02 |
| | | | 219/529 |
| 3,605,143 A * | 9/1971 | Smith | A47C 31/105 |
| | | | 5/499 |

(Continued)

OTHER PUBLICATIONS

Sunbeam Cozy Toes Heated Footwarmer, announced Aug. 2, 2012, [online], [site visited Aug. 8, 2019]. Available from Internet, URL: <https://www.walmart.com/ip/Sunbeam-Cozy-Toes-Heated-Footwarmer/48931286> (Year: 2012).*

Primary Examiner — Michelle E. Wilson

Assistant Examiner — Sanjeev Paul

(74) *Attorney, Agent, or Firm* — Ashok Tankha

(57) **CLAIM**

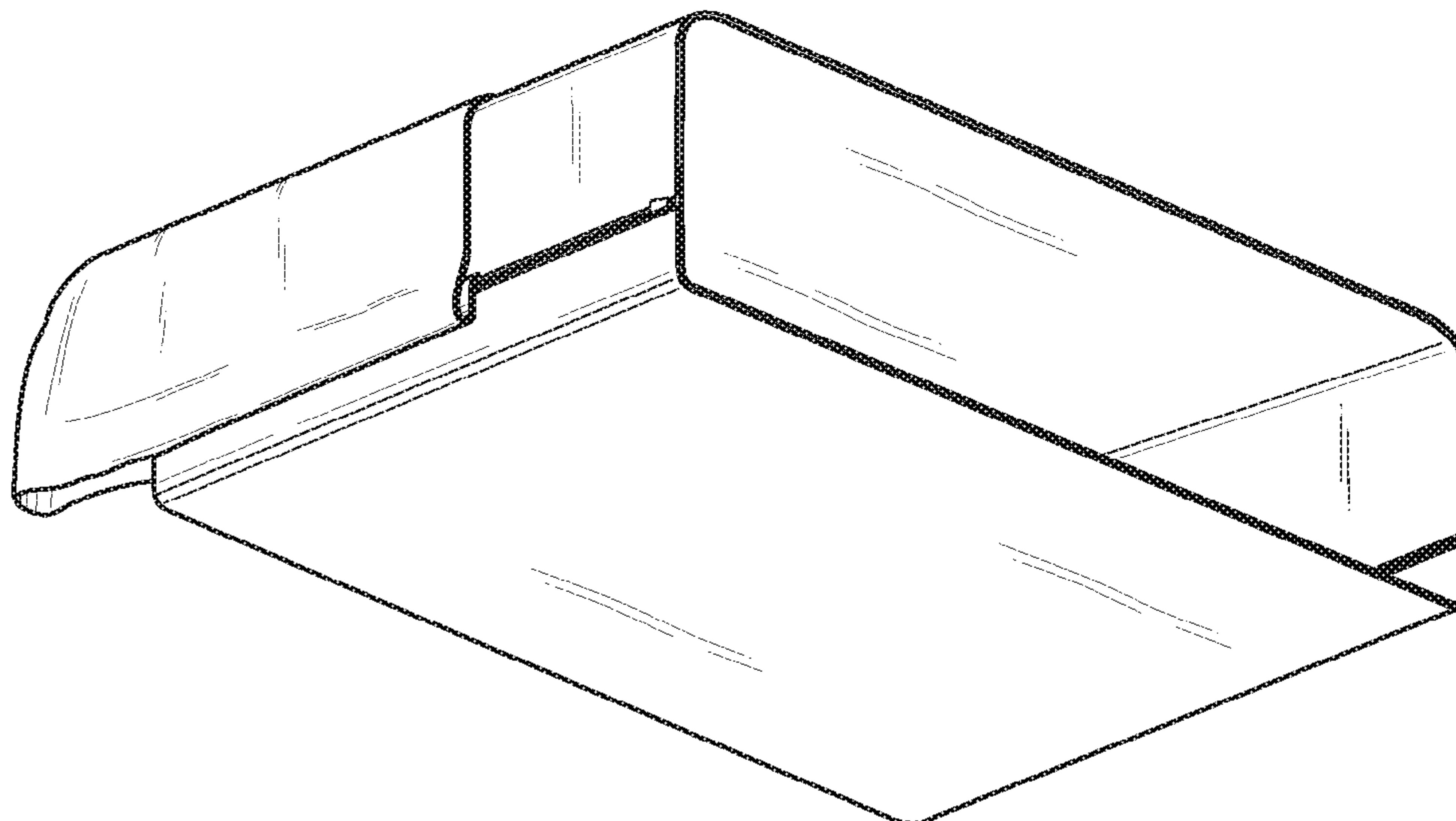
The ornamental design for an adjustable feet warming blanket, as shown and described.

DESCRIPTION

FIG. 1 is a top, front perspective view of an ornamental design for an adjustable feet warming blanket comprising an upper cover and two lower pieces attached using a zipper; FIG. 2 is a bottom, rear perspective view thereof; FIG. 3 is an exploded view thereof, showing the upper cover of the adjustable feet warming blanket spread open, and the two lower pieces attachable using the zipper; FIG. 4 is an exploded view thereof, showing the upper cover of the adjustable feet warming blanket folded to be positioned on a mattress; FIG. 5 is a front elevation view thereof; FIG. 6 is a rear elevation view thereof; FIG. 7 is a right side elevation view thereof; FIG. 8 is a left side elevation view thereof; FIG. 9 is a top plan view thereof; FIG. 10 is a bottom view thereof; and, FIG. 11 is a top, front perspective view thereof, showing the adjustable feet warming blanket wrapped around the mattress of a bed and a user's feet positioned within a pocket created by the upper cover and one of the lower pieces of the adjustable feet warming blanket.

The broken line showing of the bed, the mattress, and the user in FIG. 11 is for the purpose of illustrating environment and forms no part of the claimed design.

1 Claim, 9 Drawing Sheets



(56)

References Cited

U.S. PATENT DOCUMENTS

3,654,646 A * 4/1972 McMahon, Jr. A47C 21/024
5/497
D242,490 S * 11/1976 Belkin D6/602
4,097,944 A * 7/1978 Yulish A47G 9/062
5/419
D317,841 S * 7/1991 Mendyk D6/602
5,497,521 A * 3/1996 Waits A47C 21/048
2/69.5
D383,634 S * 9/1997 Selph D6/596
5,901,389 A * 5/1999 Manner A47G 9/02
5/482
6,067,677 A * 5/2000 Reen A47G 9/0246
5/496
6,845,532 B1 * 1/2005 Rosenblum A47C 27/008
40/661
D527,562 S * 9/2006 Manning D6/603
D587,952 S * 3/2009 Skipper D6/595
D623,884 S * 9/2010 Reilly D6/603
D674,645 S * 1/2013 Hengel D6/602
D679,930 S * 4/2013 Thomas D6/603

D681,996 S * 5/2013 Jimenez-Hernandez D6/602
D685,579 S * 7/2013 Phillips D3/303
8,544,135 B2 * 10/2013 Scott A47L 13/18
15/104.93
D698,587 S * 2/2014 Caines D6/602
D699,983 S * 2/2014 Polesuk D6/602
D707,466 S * 6/2014 Lancaster D6/603
D713,655 S * 9/2014 Blatt D6/596
D742,533 S * 11/2015 Kang D24/207
D744,263 S * 12/2015 Quinones D2/719
D776,459 S * 1/2017 Ibarra D6/603
D778,638 S * 2/2017 Williams D6/602
D821,781 S * 7/2018 Rivera-Huerta D6/602
D829,022 S * 9/2018 McAfee D6/603
D837,571 S * 1/2019 Keever D6/606
D850,819 S * 6/2019 Lloyd-Caldwell D6/603
D871,110 S * 12/2019 Atkinson D6/606
D871,798 S * 1/2020 Simmons D6/602
2008/0005837 A1 * 1/2008 Sylvia A47G 9/0207
5/504.1
2013/0117933 A1 * 5/2013 Mickle A47G 9/02
5/413 R

* cited by examiner

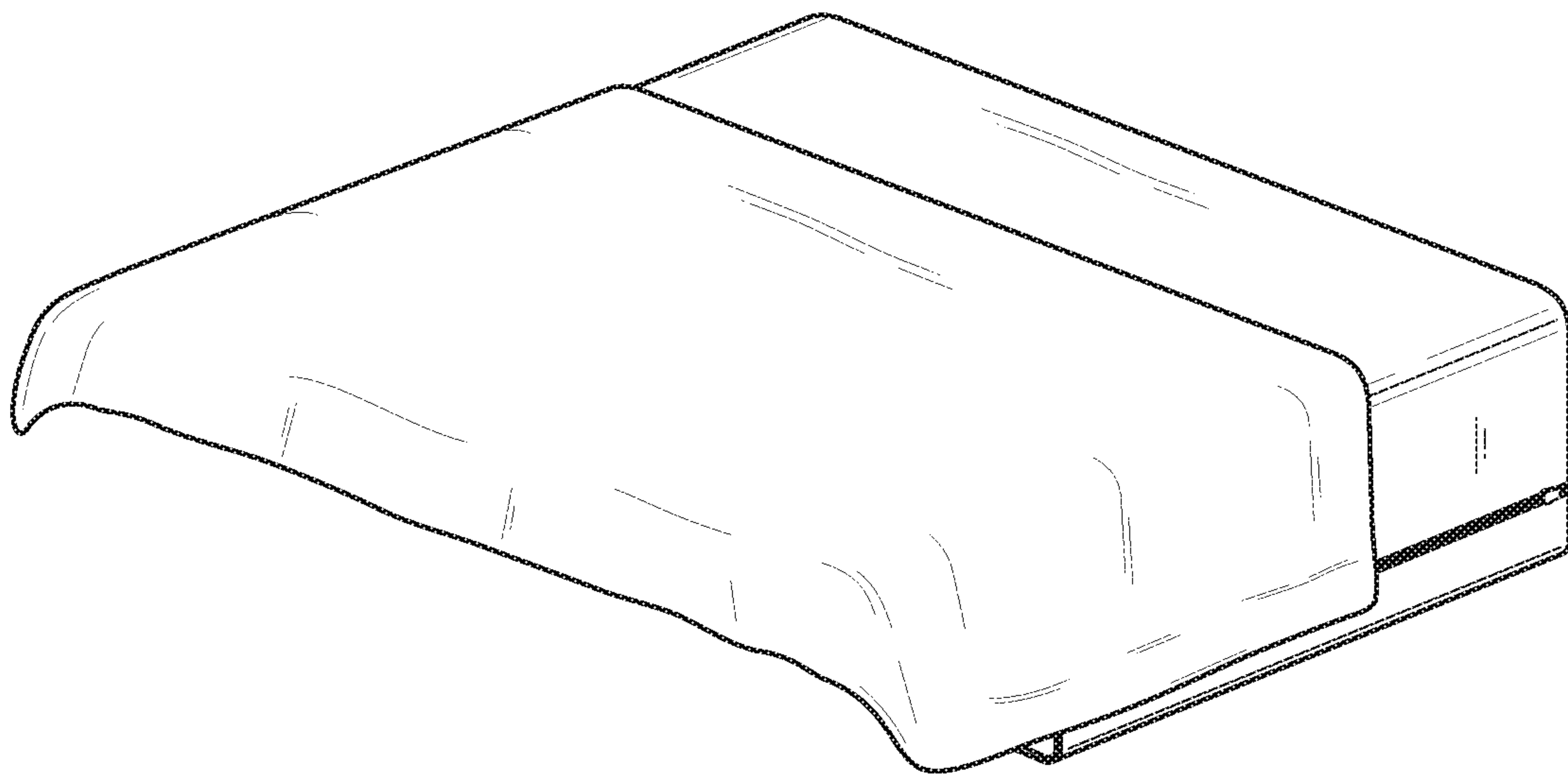


FIG. 1

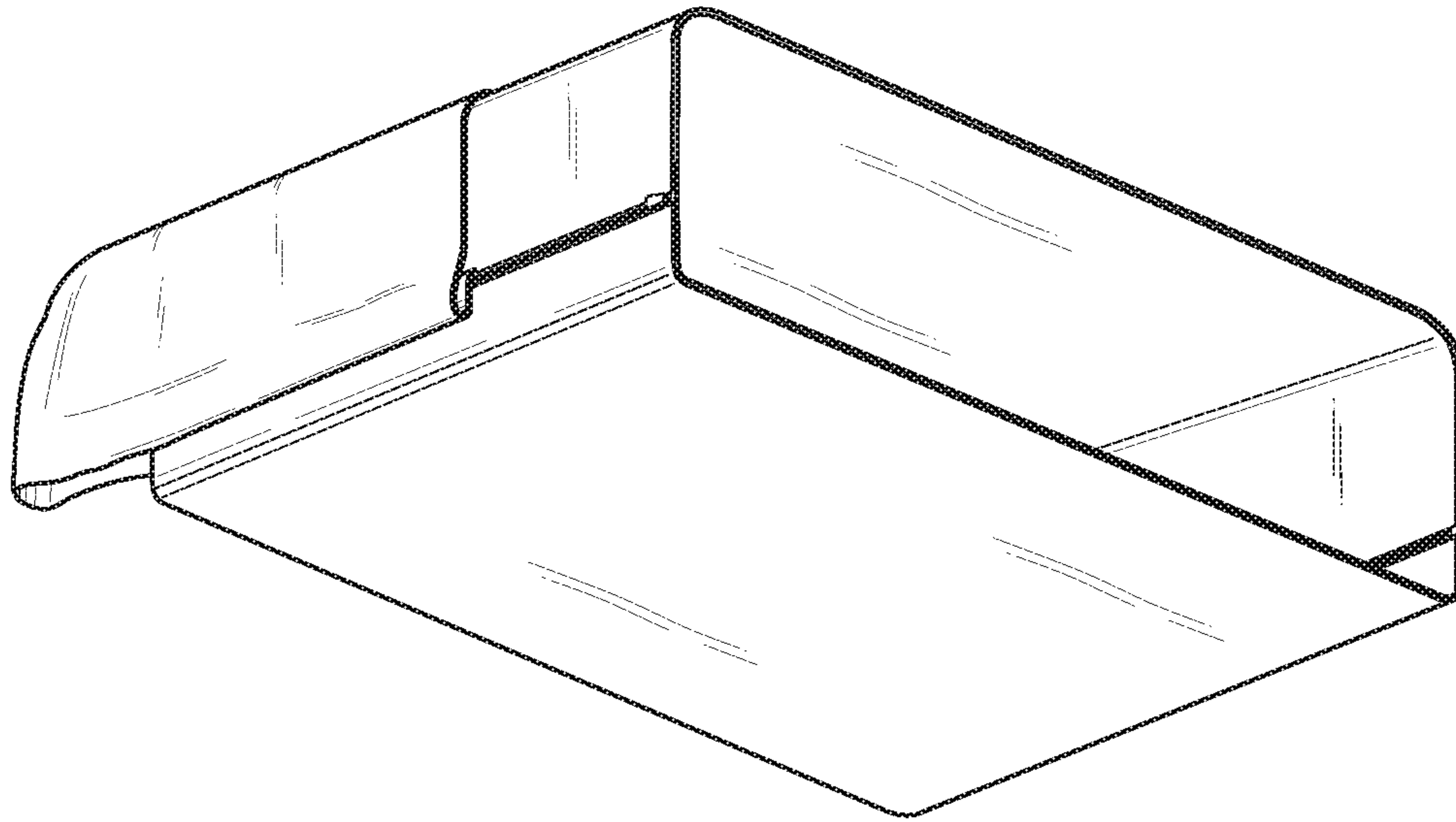


FIG. 2

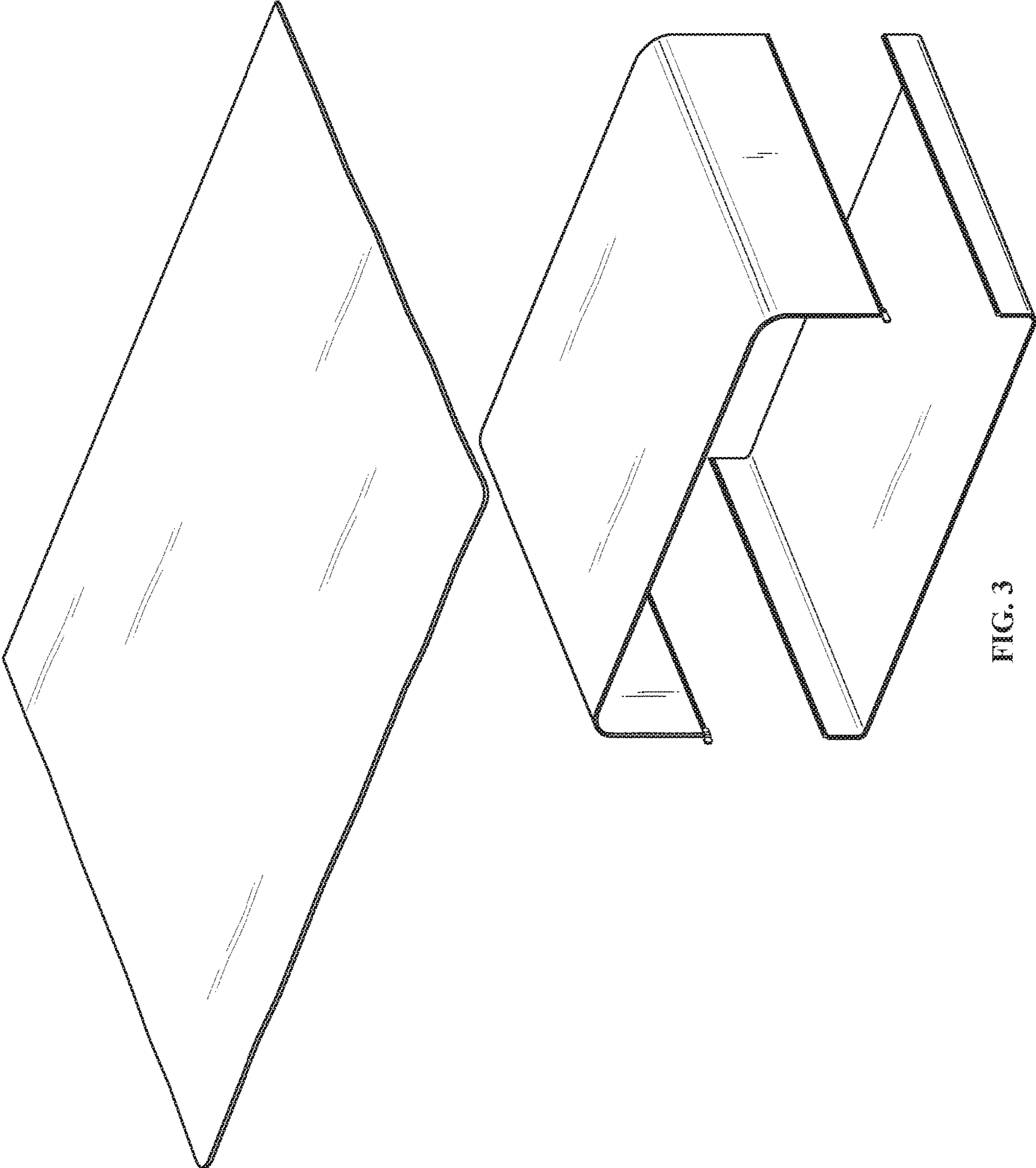


FIG. 3

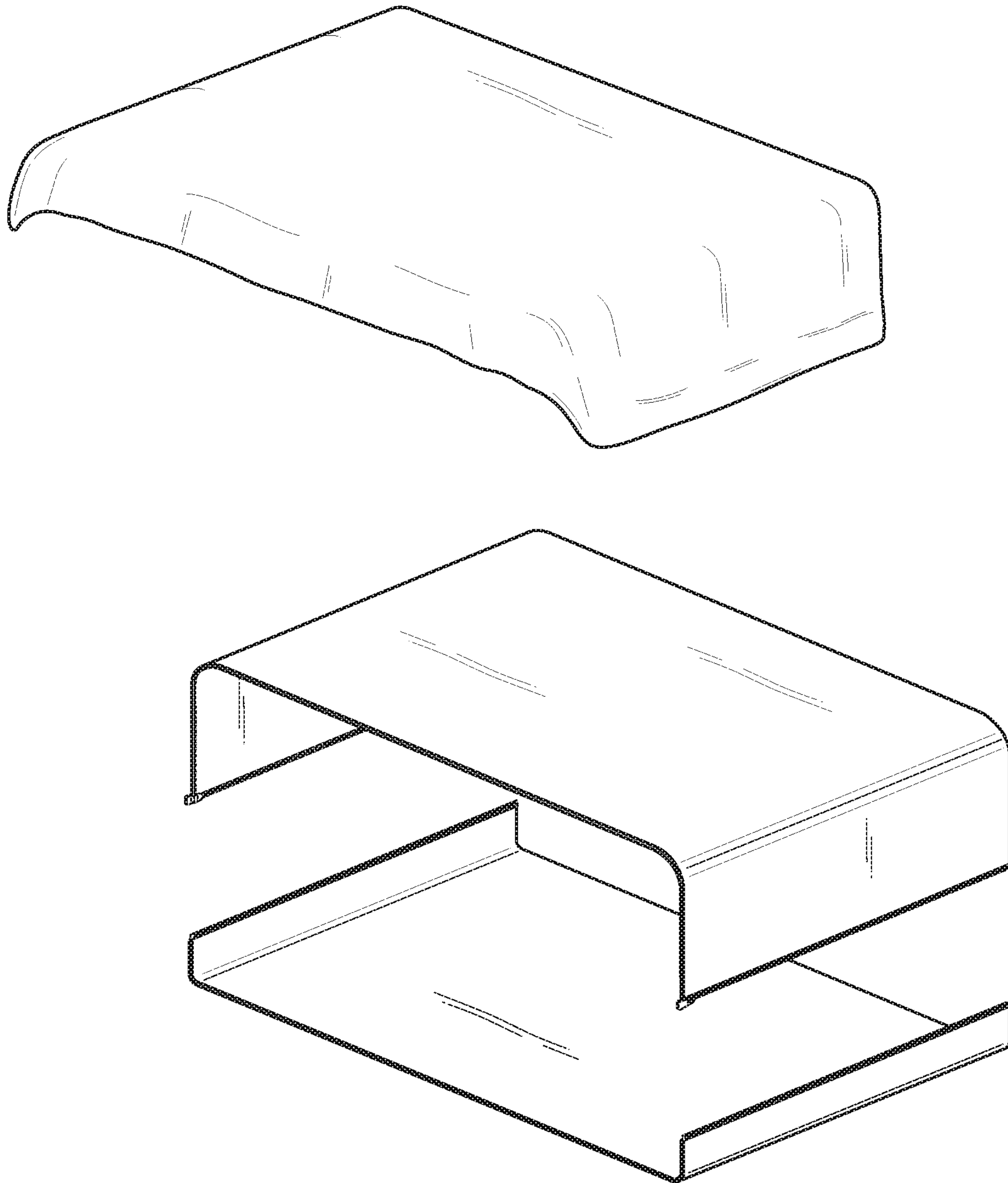


FIG. 4

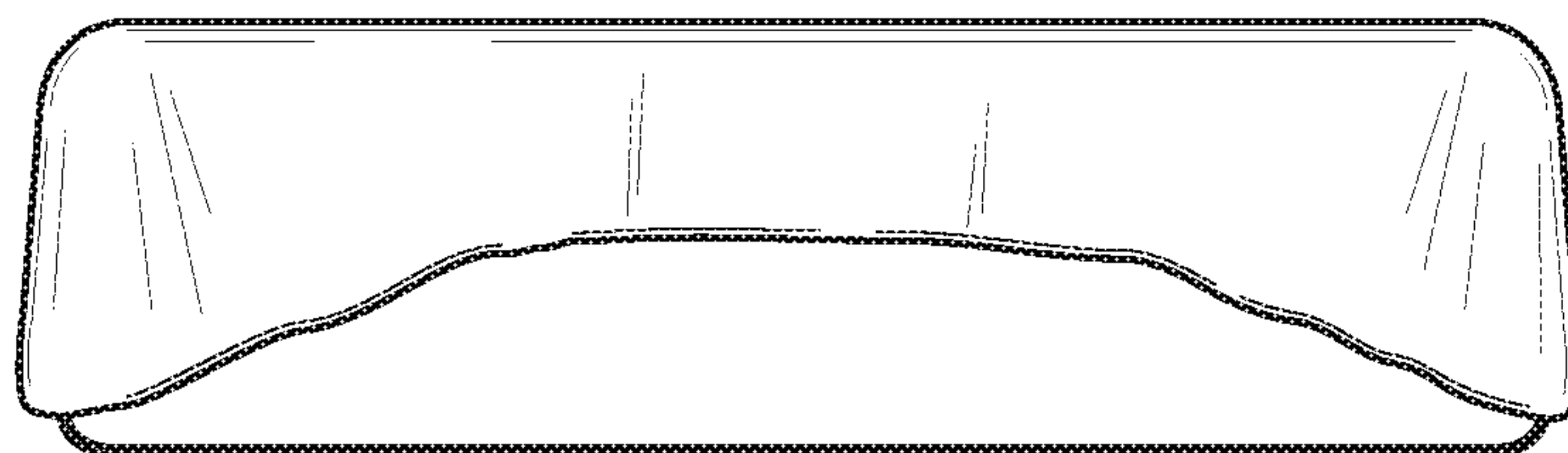


FIG. 5

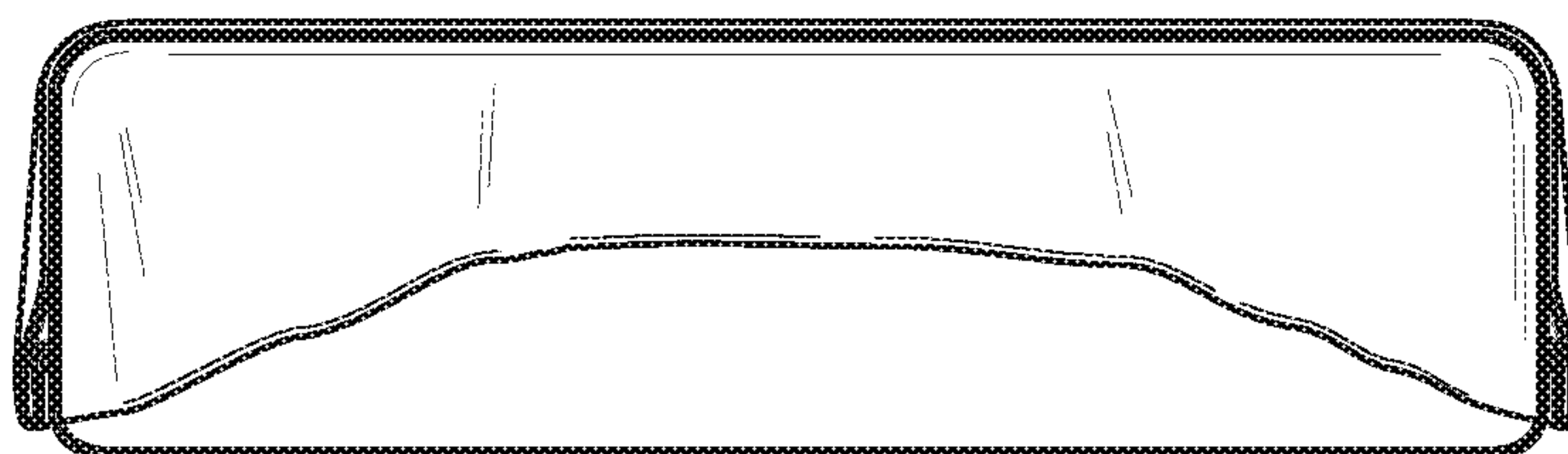


FIG. 6

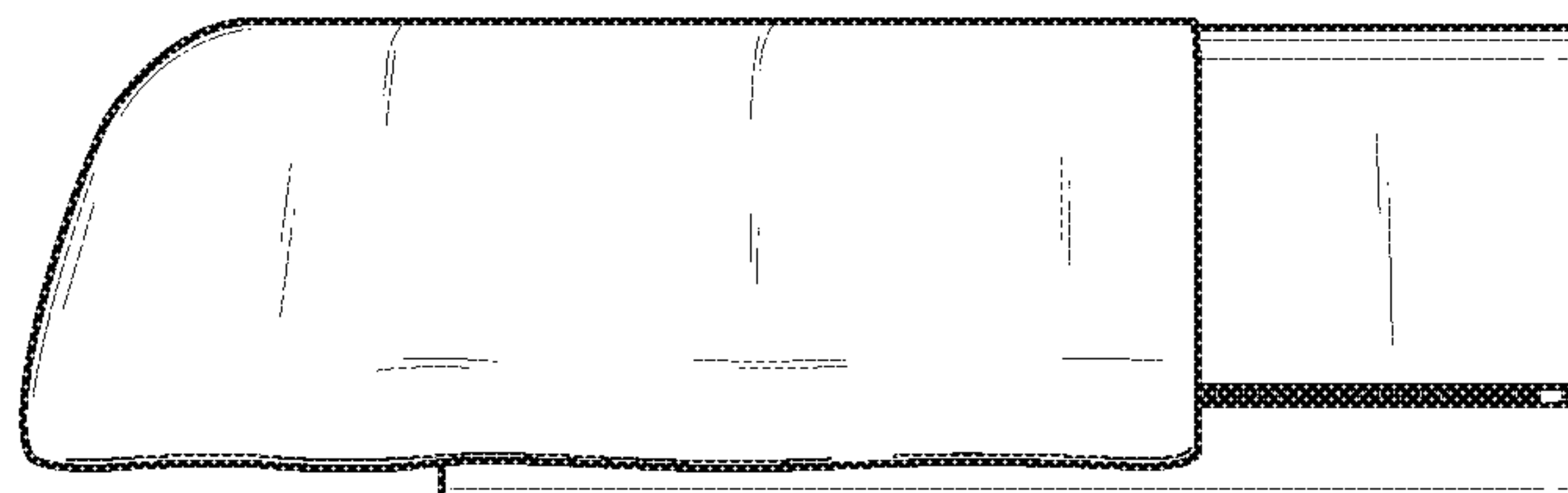


FIG. 7

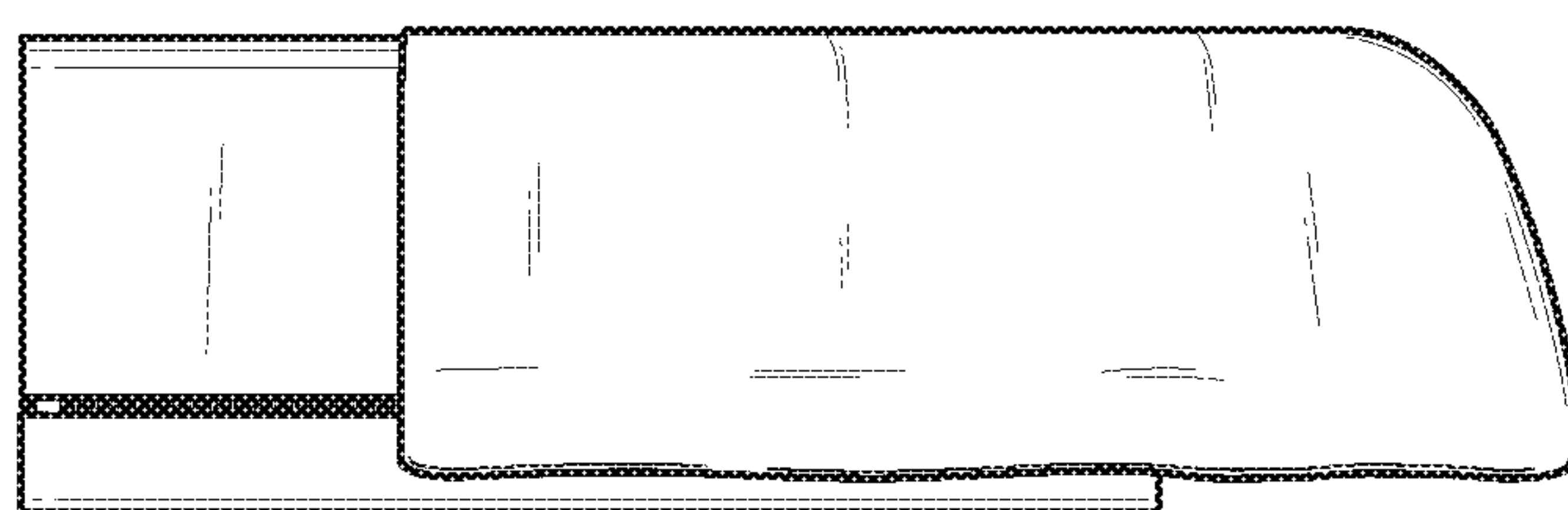


FIG. 8

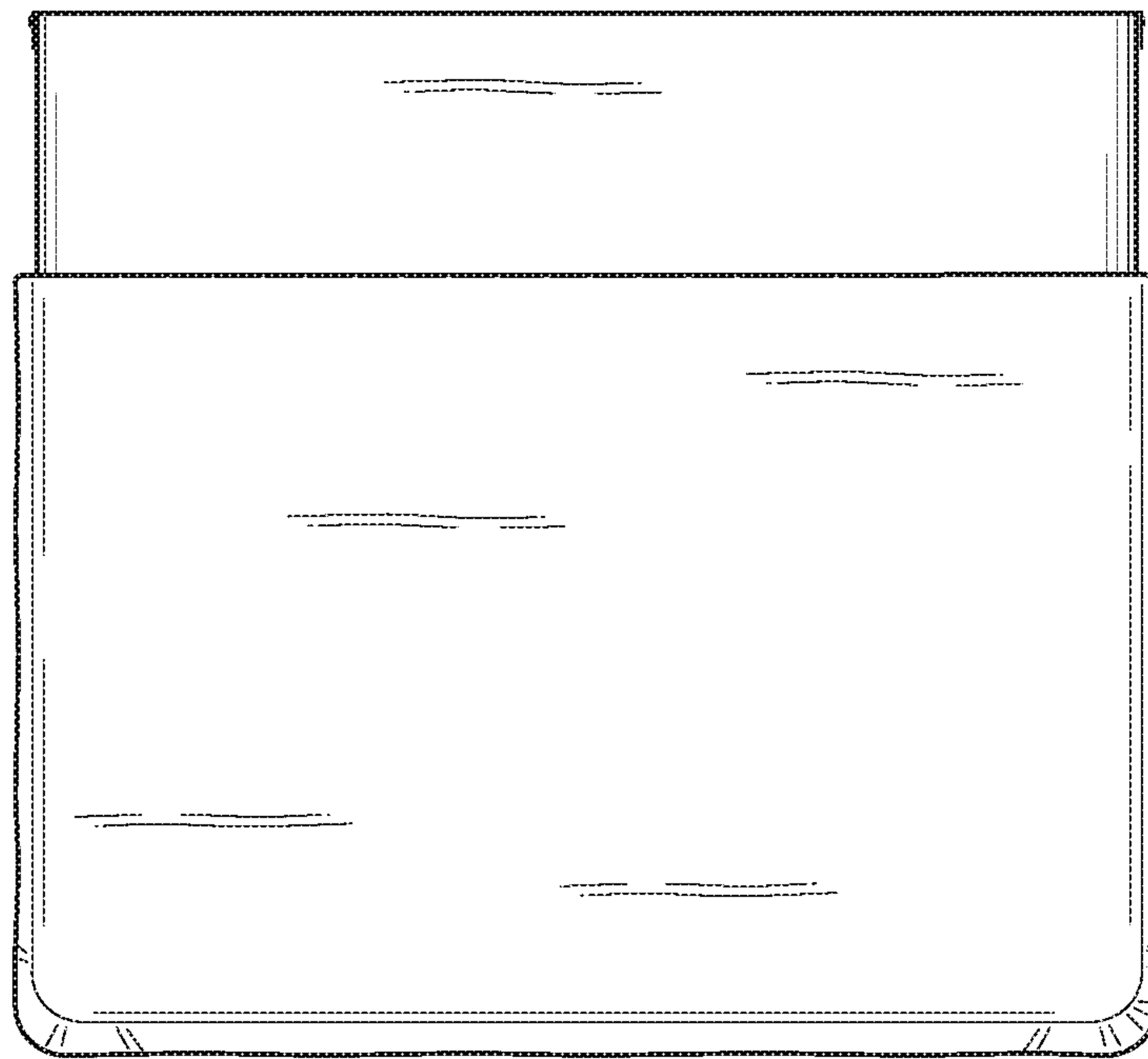


FIG. 9

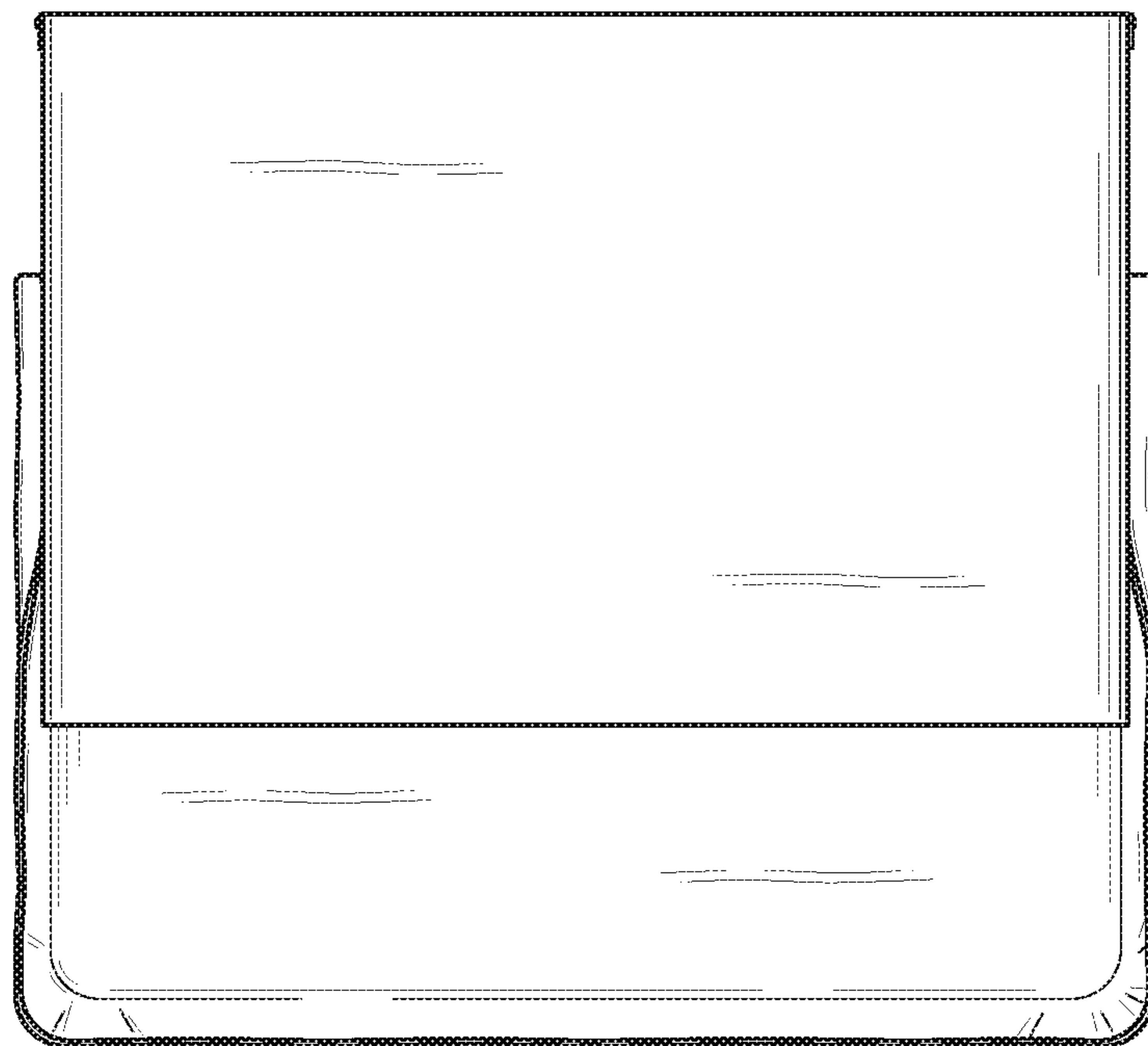


FIG. 10

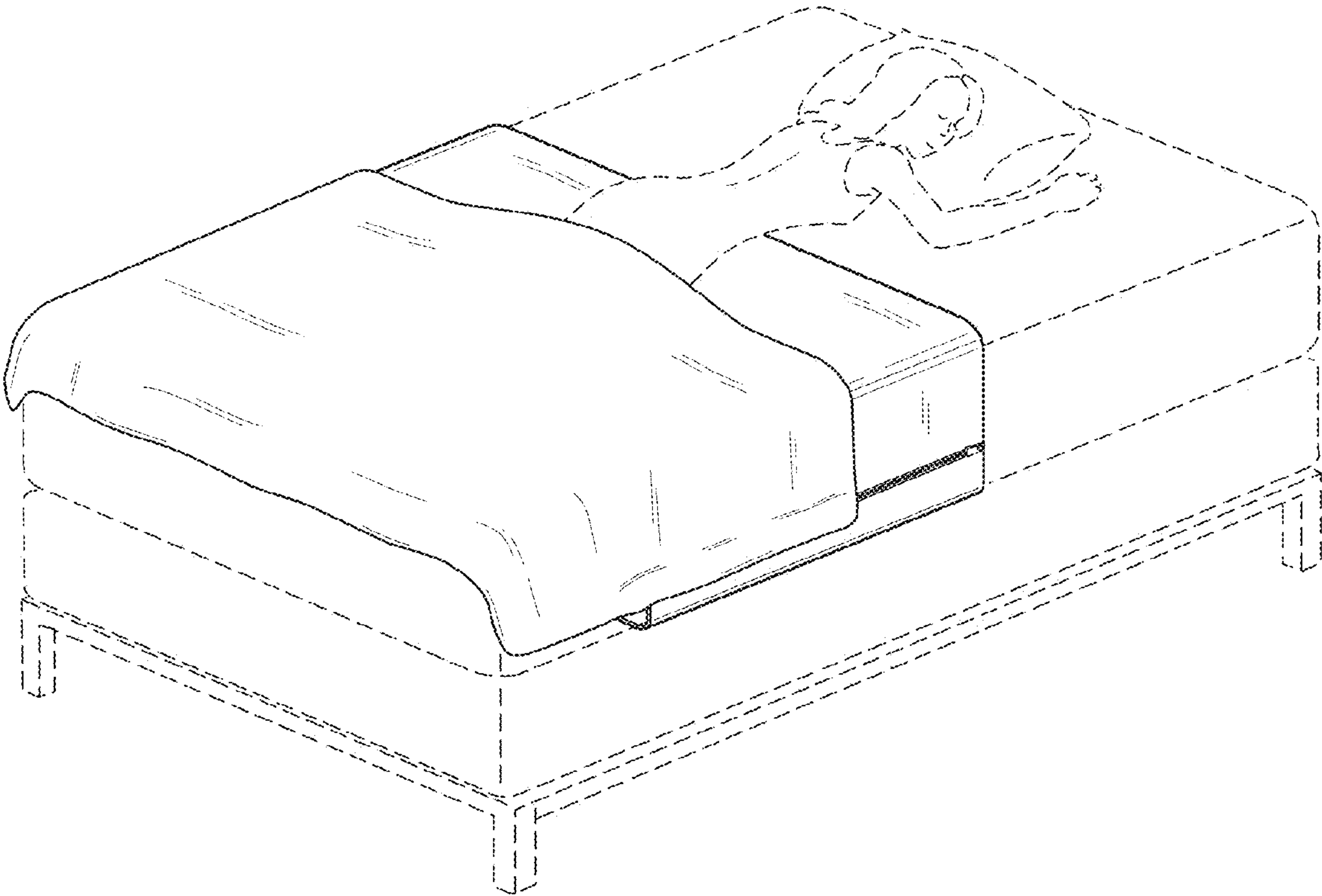


FIG. 11