



US00D891149S

(12) **United States Design Patent** (10) **Patent No.:** **US D891,149 S**
Larsen (45) **Date of Patent:** **** Jul. 28, 2020**

(54) **MATERNITY PILLOW**
(71) Applicant: **Katherine Janette Larsen**, San Ramon, CA (US)
(72) Inventor: **Katherine Janette Larsen**, San Ramon, CA (US)
(**) Term: **15 Years**
(21) Appl. No.: **29/688,370**
(22) Filed: **Apr. 19, 2019**
(51) **LOC (12) Cl.** **06-09**
(52) **U.S. Cl.**
USPC **D6/601**
(58) **Field of Classification Search**
USPC D6/595-597, 601, 604-606
CPC A47C 27/00; A47C 27/08; A47C 27/12; A47C 27/14; A47C 7/18; A47C 7/185; A47C 7/20; A47C 23/00; A47C 27/001; A47C 27/05; A47C 27/053; A47C 27/056; A47C 27/06; A47C 27/142; A47C 21/00; A47C 21/026; A47G 9/00; A47G 9/06; A47G 9/08; A47G 9/086; A47G 9/1009; A47G 9/10; A47G 9/1027; A47G 9/1054; A47G 9/1063; A47G 9/1072; A47G 9/1045; A47G 9/1081; A47G 9/109; A47G 2009/1018; A47G 2009/003
See application file for complete search history.

9,943,179 B1 * 4/2018 May A47C 7/383
D830,733 S * 10/2018 Mi D6/601
D835,431 S * 12/2018 Bice D6/601
D848,764 S * 5/2019 Wilson D6/601
2019/0167020 A1 * 6/2019 Bice A47C 7/425

FOREIGN PATENT DOCUMENTS

CA 2187040 A1 * 5/1998 A47G 9/1027

* cited by examiner

Primary Examiner — R. Johnson

(74) *Attorney, Agent, or Firm* — Adibi IP Group, PC; Amir V. Adibi; Andrew C. Palmer

(57) **CLAIM**

The ornamental design for a maternity pillow, as shown and described.

DESCRIPTION

FIG. 1 is a front, oblique, perspective view of a maternity pillow showing my new design, which has a wedge pillow and a leg pillow connected by an adjustable connector.

FIG. 2 is a top plan view thereof.

FIG. 3 is a left side elevation view thereof.

FIG. 4 is a right side elevation view thereof.

FIG. 5 is a front elevation view thereof.

FIG. 6 is a back elevation view thereof.

FIG. 7 is a bottom plan view thereof; and,

FIG. 8 is a front, oblique, perspective view of the maternity pillow illustrated in use to support the stomach and legs of a pregnant woman shown in broken lines.

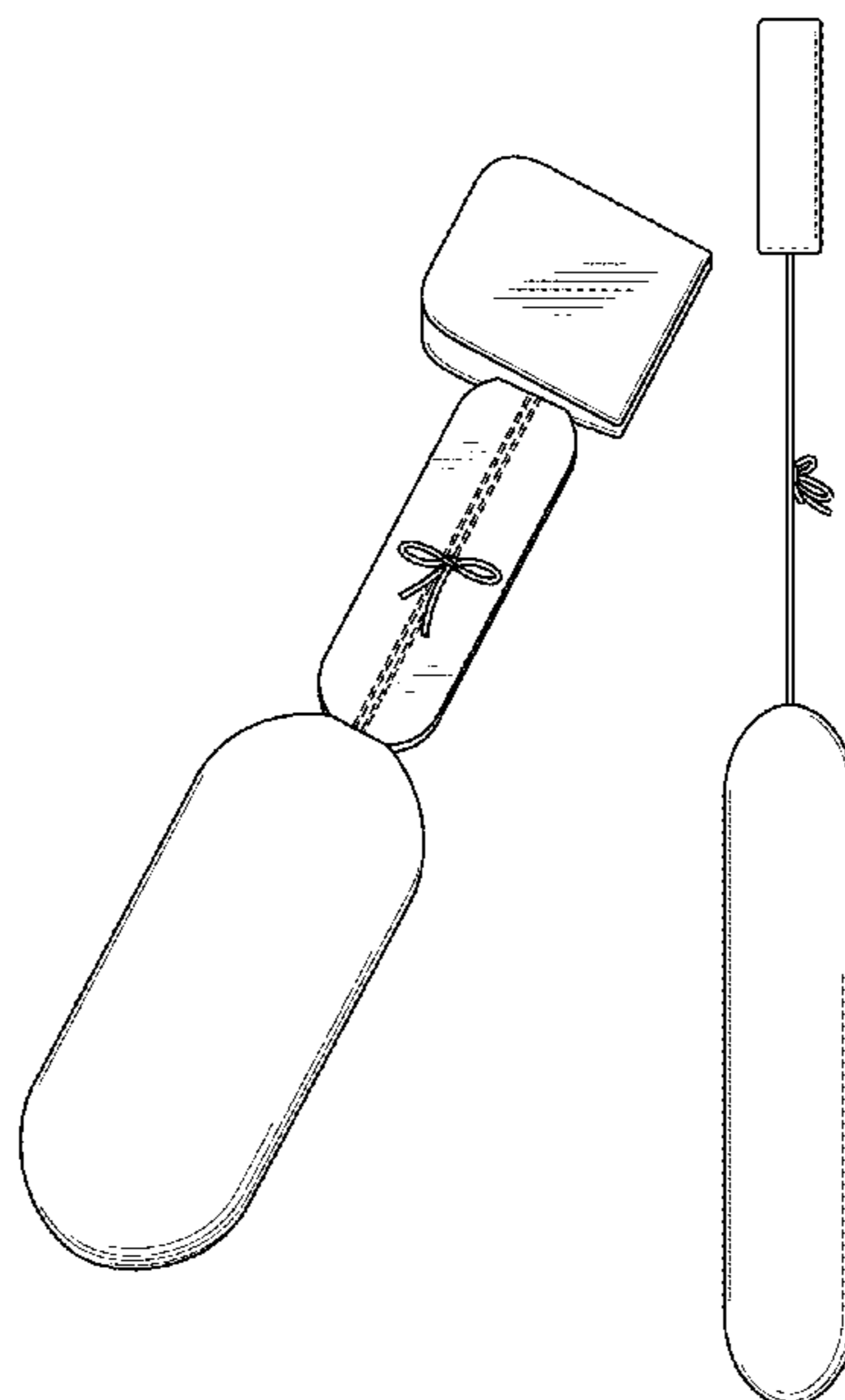
The broken lines in FIGS. 1 and 2 illustrate a drawstring mechanism that is used to adjust a length of the maternity pillow that forms no part of the claimed design. The broken lines in FIG. 8 illustrate a head pillow and pregnant woman that form no part of the claimed design. Views of the maternity pillow not shown in the figures form no part of the claimed design.

(56) **References Cited**

U.S. PATENT DOCUMENTS

2,765,480 A * 10/1956 Mueller A47G 9/10
5/640
2,952,856 A * 9/1960 Ruff A47G 9/10
5/640
6,795,990 B1 * 9/2004 Hutchinson A47C 20/021
5/490

1 Claim, 6 Drawing Sheets



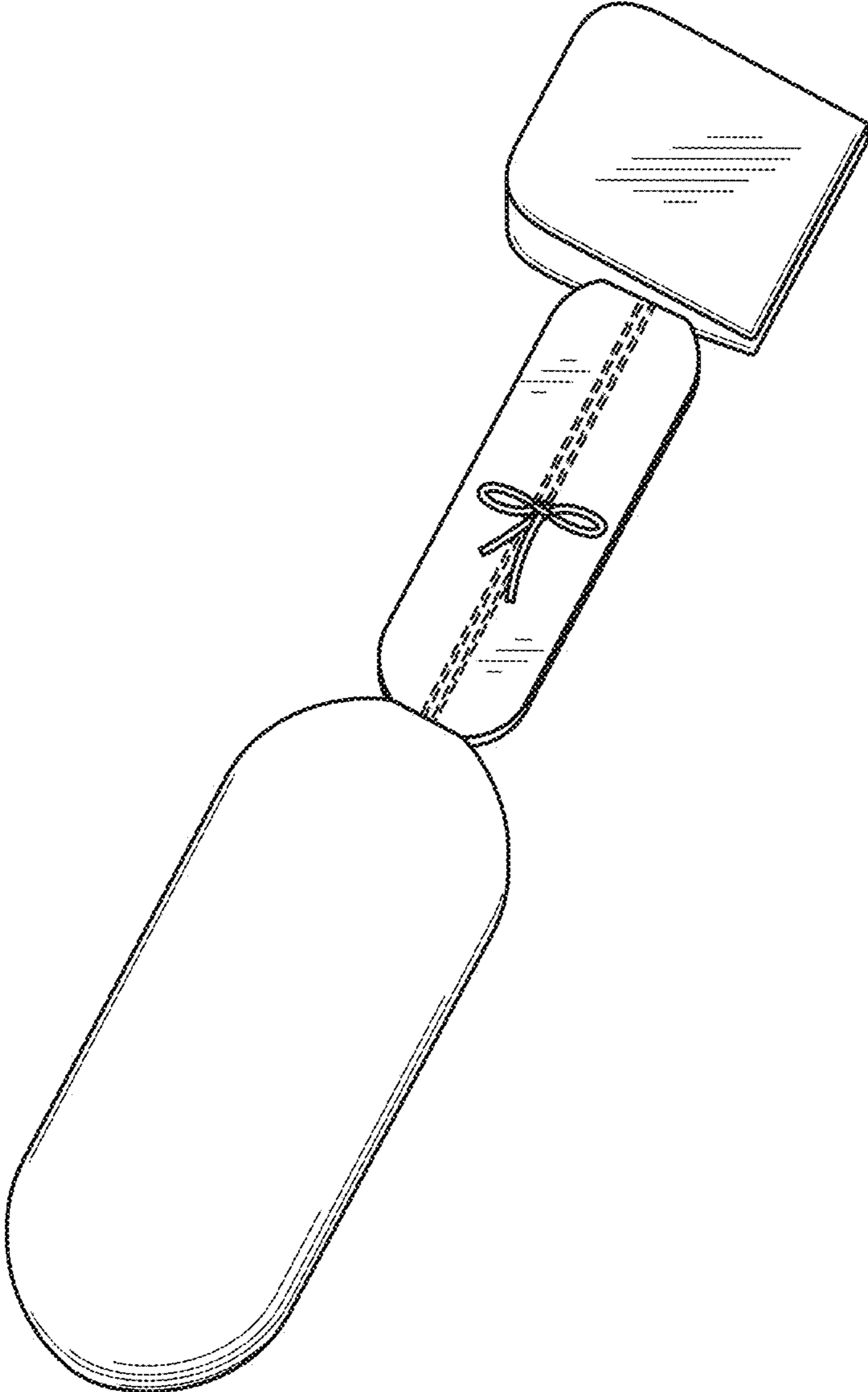


FIG. 1

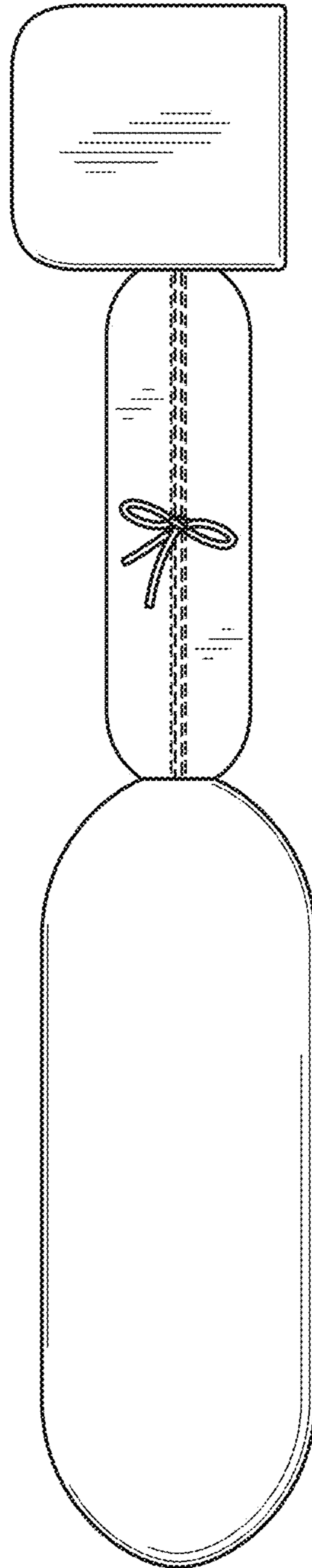


FIG. 2

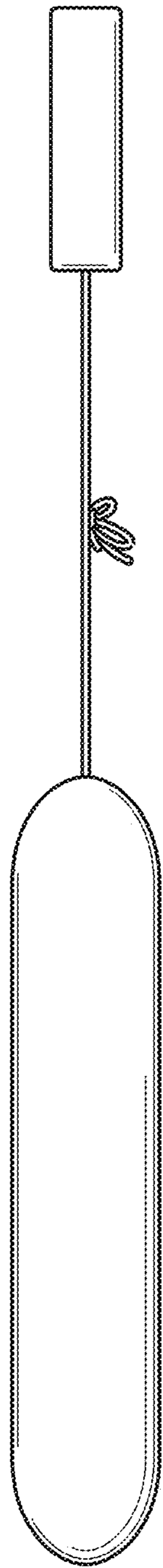


FIG. 3

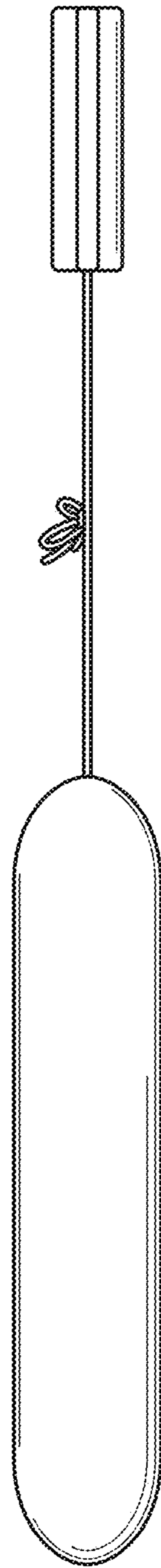


FIG. 4

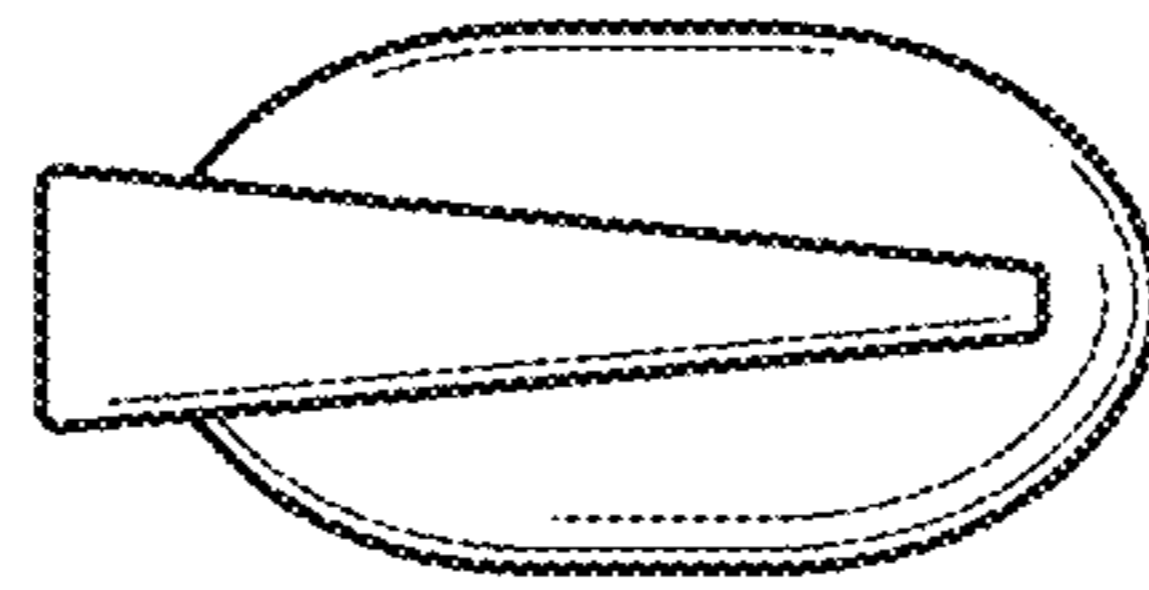


FIG. 5

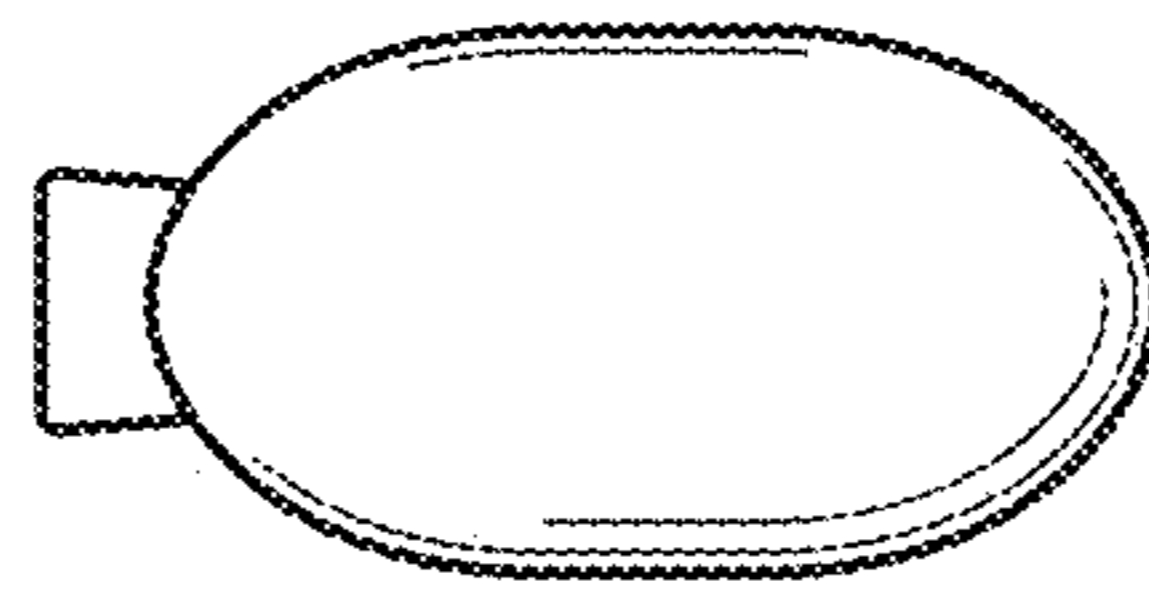


FIG. 6

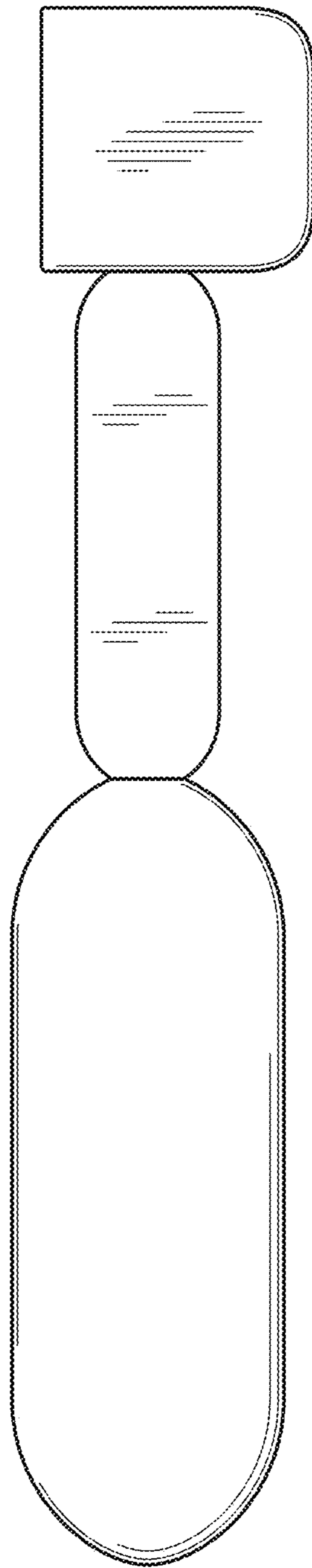


FIG. 7

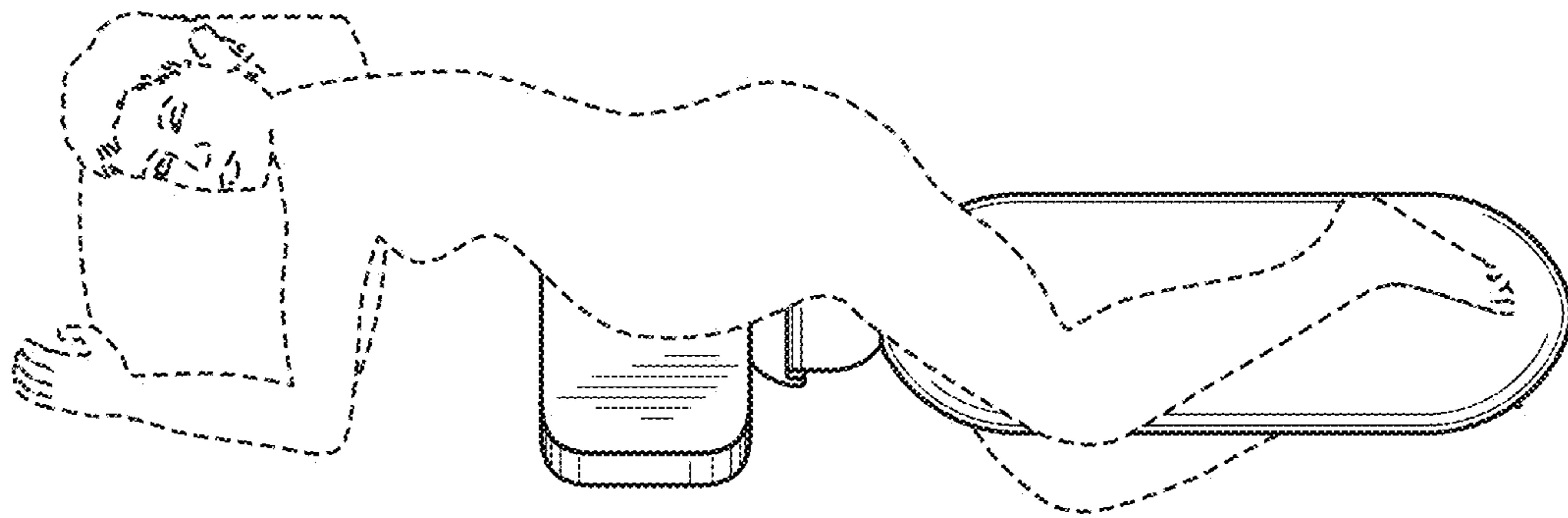


FIG. 8