



US00D891147S

(12) **United States Design Patent**
Denby et al.

(10) **Patent No.:** **US D891,147 S**
(45) **Date of Patent:** **** Jul. 28, 2020**

- (54) **PEG HOOK**
- (71) Applicant: **Target Brands, Inc.**, Minneapolis, MN (US)
- (72) Inventors: **Scott E. Denby**, Minneapolis, MN (US); **Sara L. Pedersen**, Minneapolis, MN (US)
- (73) Assignee: **Target Brands, Inc.**, Minneapolis, MN (US)

D742,726 S * 11/2015 Glass D8/367
 D804,219 S * 12/2017 Hucks D6/553
 D845,750 S * 4/2019 Denby D8/381
 D850,244 S * 6/2019 Goodman D8/367

* cited by examiner

Primary Examiner — Wan Laymon
Assistant Examiner — Mark Booker

(74) *Attorney, Agent, or Firm* — Leanne Taveggia Farrell; Westman, Champlin & Koehler, P.A.

(**) Term: **15 Years**

(57) **CLAIM**

(21) Appl. No.: **29/661,619**

The ornamental design for a peg hook, as shown and described.

(22) Filed: **Aug. 29, 2018**

DESCRIPTION

(51) **LOC (12) Cl.** **06-04**

(52) **U.S. Cl.**
USPC **D6/553**

(58) **Field of Classification Search**
USPC D6/553, 566, 571, 572; 211/87.01, 211/90.04, 59.1; 248/220.31, 205.3, 248/220.21, 301-304, 339; D8/21-28, D8/367, 354, 349, 373, 323, 356
CPC .. A47K 1/09; F16B 2/06; F16B 21/02; F16M 13/02; F16M 11/041; F16M 13/00; A47G 1/00; A47G 25/00

FIG. 1 is a perspective view of a first embodiment of a peg hook showing our new design;
FIG. 2 is a front view thereof;
FIG. 3 is a right side view thereof, the left side view being a mirror image;
FIG. 4 is a top view thereof;
FIG. 5 is a perspective view of a second embodiment thereof;
FIG. 6 is a front view of FIG. 5;
FIG. 7 is a right side view of FIG. 5, the left side view being a mirror image; and
FIG. 8 is a top view of FIG. 5.

See application file for complete search history.

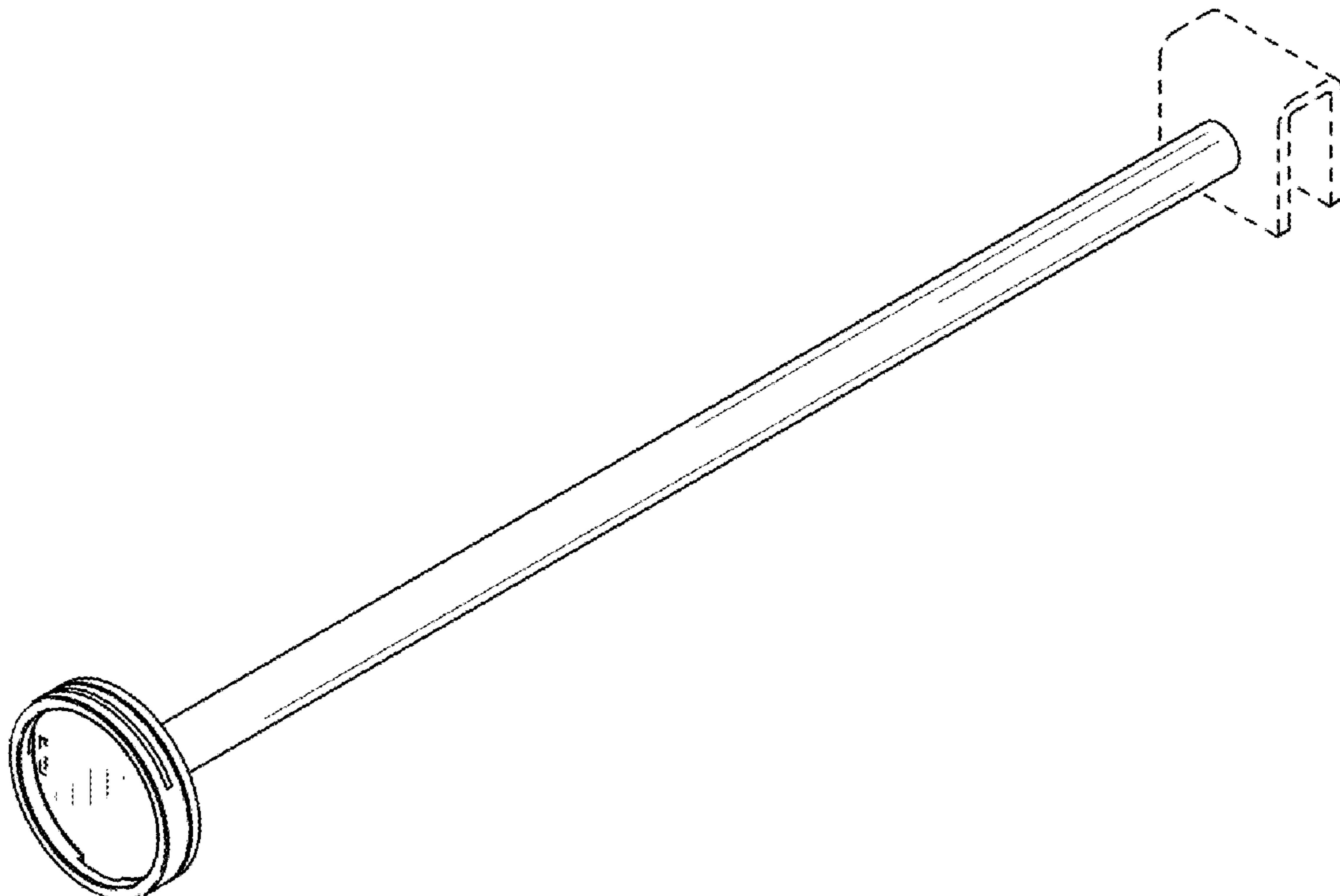
The broken lines shown in the drawings are included for purposes of illustrating portions of the peg hook and form no part of the claimed design.

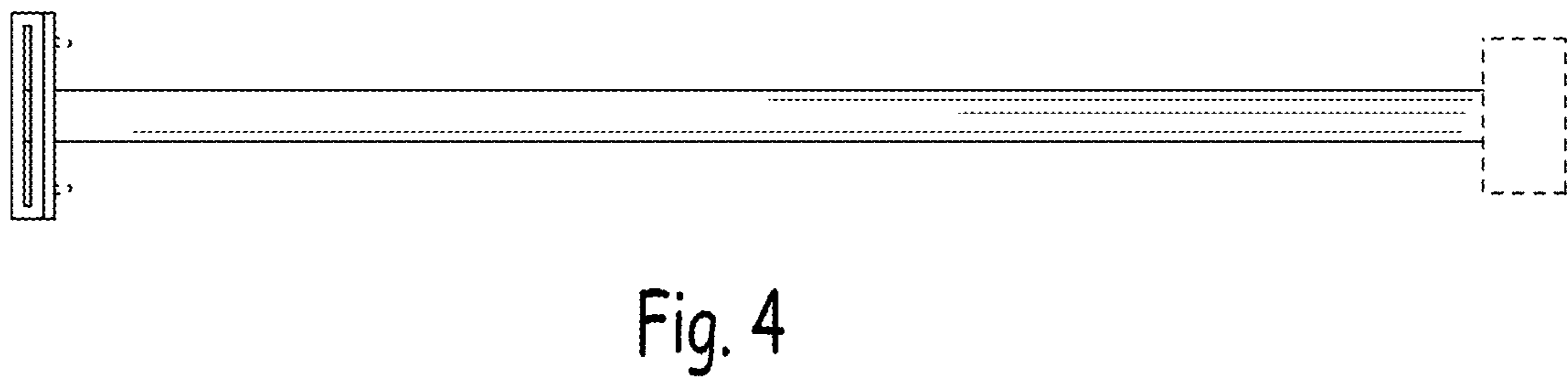
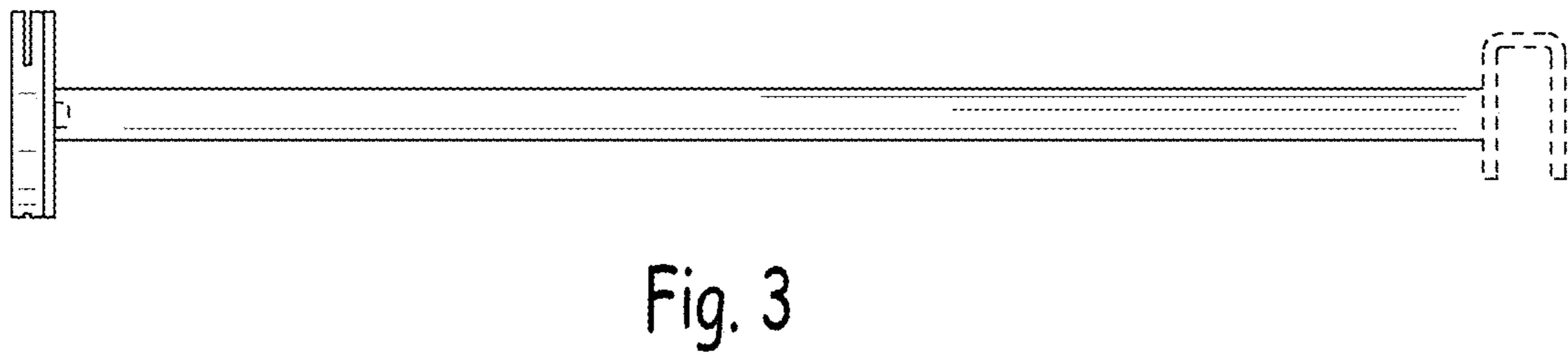
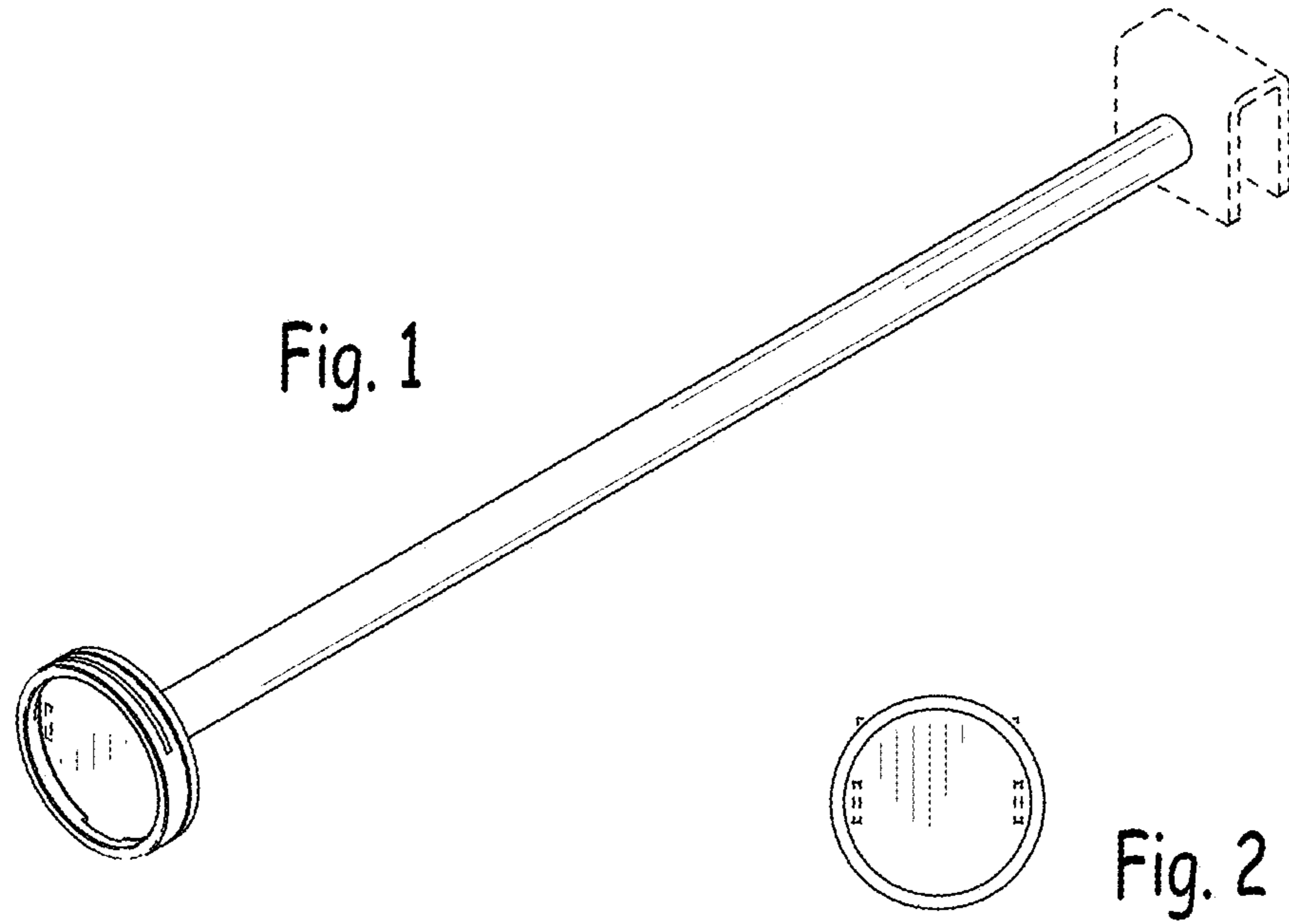
(56) **References Cited**

U.S. PATENT DOCUMENTS

D354,675 S * 1/1995 Bannister D8/367
D420,557 S * 2/2000 Paris D8/28

1 Claim, 2 Drawing Sheets





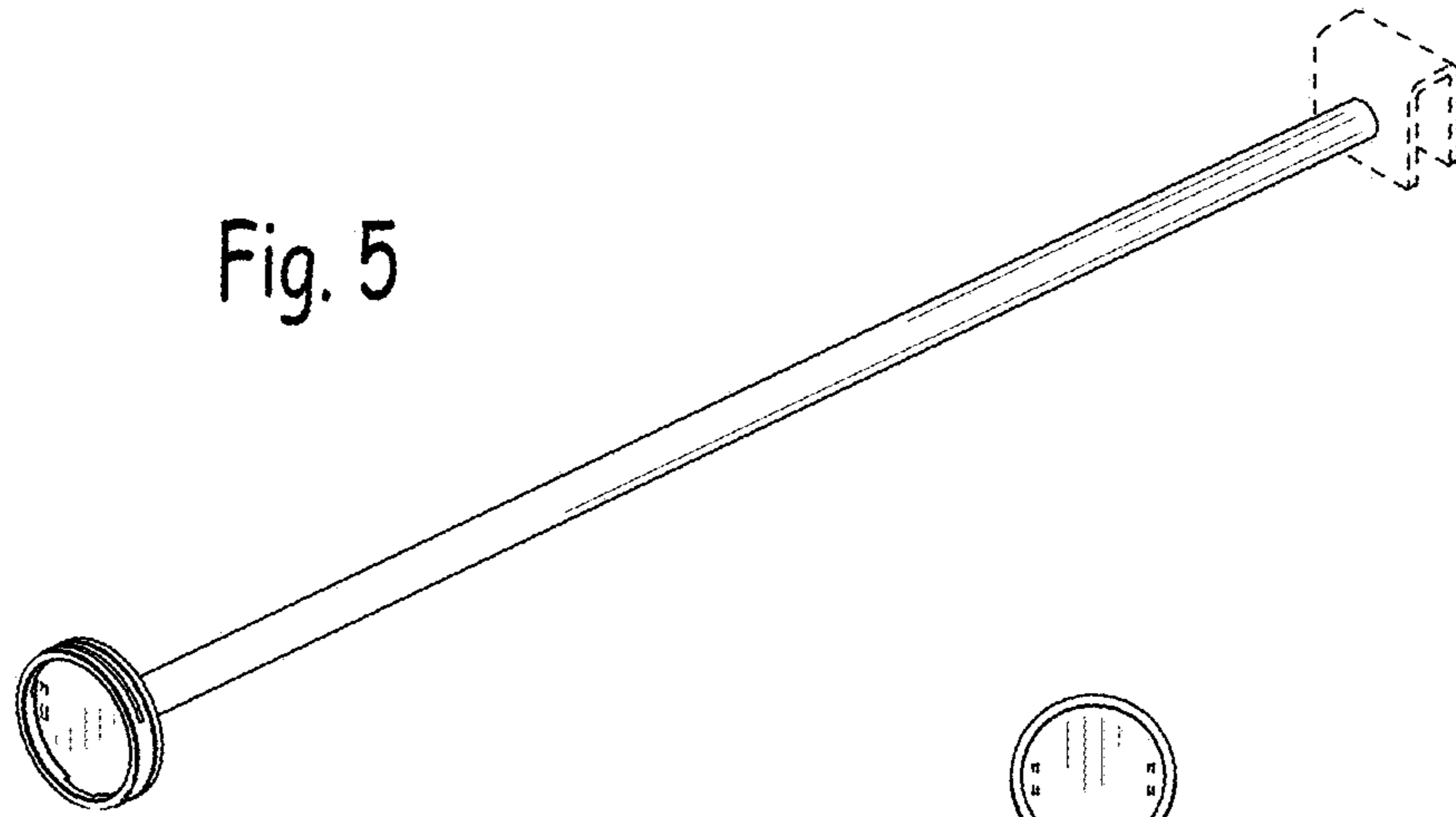


Fig. 5

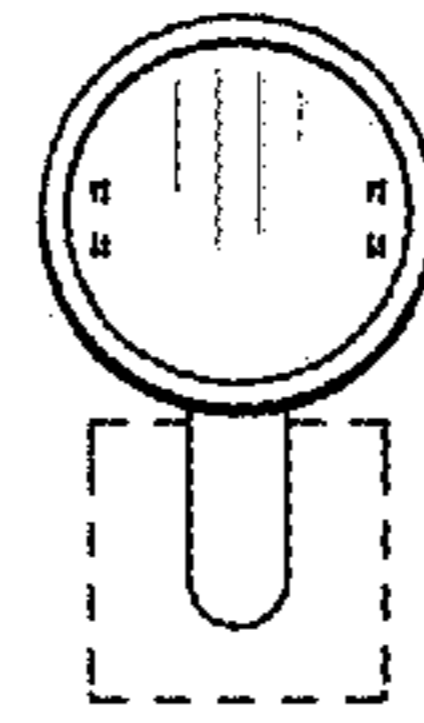


Fig. 6

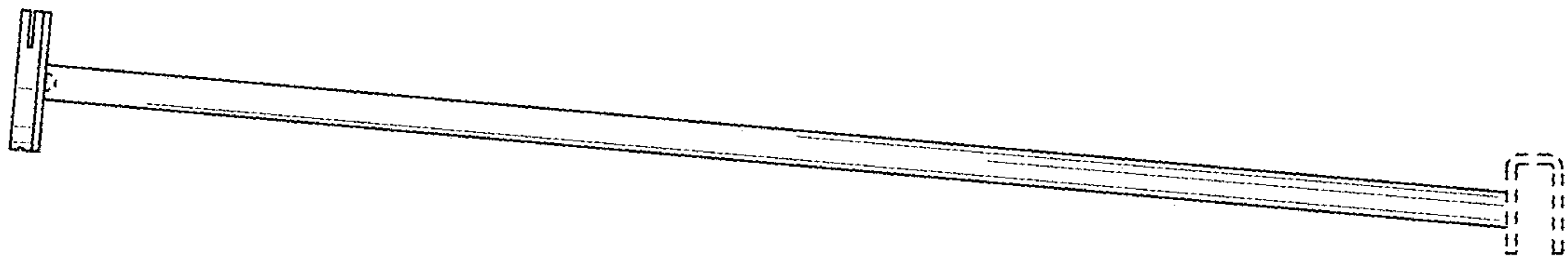


Fig. 7

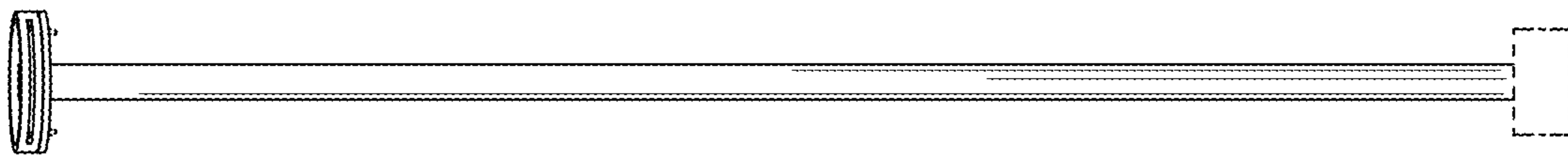


Fig. 8