



US00D891145S

(12) **United States Design Patent** (10) **Patent No.:** **US D891,145 S**
Park (45) **Date of Patent:** **** Jul. 28, 2020**

(54) **DISPENSER**
(71) Applicant: **Bio Hazard, Inc.**, Commerce, CA (US)
(72) Inventor: **Kitae Park**, La Palma, CA (US)
(73) Assignee: **BIO HAZARD, INC.**, Commerce, CA (US)
(**) Term: **15 Years**
(21) Appl. No.: **29/594,134**
(22) Filed: **Feb. 15, 2017**
(51) **LOC (12) Cl.** **20-02**
(52) **U.S. Cl.**
USPC **D6/515**
(58) **Field of Classification Search**
USPC D6/515, 516, 517, 553, 567, 408;
D7/705, 589; 211/13.1, 49.1, 59.3, 119,
211/131, 132, 185.1, 50, 74; 221/26, 33,
221/45, 196, 282; 312/45, 34.4
CPC A47G 21/12; A47G 21/00; B65D 83/02
See application file for complete search history.

6,056,233 A * 5/2000 Von Schenk A47K 10/40
242/594.5
6,977,588 B2 * 12/2005 Schotz A47K 10/36
242/570
D657,984 S * 4/2012 Hansen D6/523
D667,245 S * 9/2012 Hansen D6/523
D675,851 S * 2/2013 Wilson D6/518
D681,987 S * 5/2013 Cittadino D6/518
D711,663 S * 8/2014 Walters D6/518
D772,597 S * 11/2016 Anich, Jr. D6/515
D773,202 S * 12/2016 Madsen D6/518
D785,362 S * 5/2017 Trunsky D6/518
D793,118 S * 8/2017 Li D6/518
D802,960 S * 11/2017 van der Windt D6/518
2004/0050993 A1 * 3/2004 Green A47K 10/38
242/580
2006/0283873 A1 * 12/2006 Bostic A47K 10/32
221/33

- (56) **References Cited**
- U.S. PATENT DOCUMENTS
- 2,850,345 A * 9/1958 Marcuse A47K 10/44
221/282
2,923,437 A * 2/1960 Miller A47G 21/12
221/266
2,950,841 A * 8/1960 Cornwell B65D 83/02
221/154
D189,459 S * 12/1960 Mayer D7/589
D254,530 S * 3/1980 Armstrong 312/45
D263,354 S * 3/1982 Jones D6/515
D290,074 S * 6/1987 Braun D6/515
D309,552 S * 7/1990 Spring D7/589
D335,242 S * 5/1993 Saunders D7/589
D342,852 S * 1/1994 Welch D6/520
D349,001 S * 7/1994 Cibener D6/515
D363,628 S * 10/1995 McCanless D6/518

OTHER PUBLICATIONS

Biohard inc website, BIOSTIX Chillum Display Kit—50 Units, 1-6-18, <http://biohazardinc.com/bio-stix/biostix-chillum-display-kit-50-units.html>.*

* cited by examiner

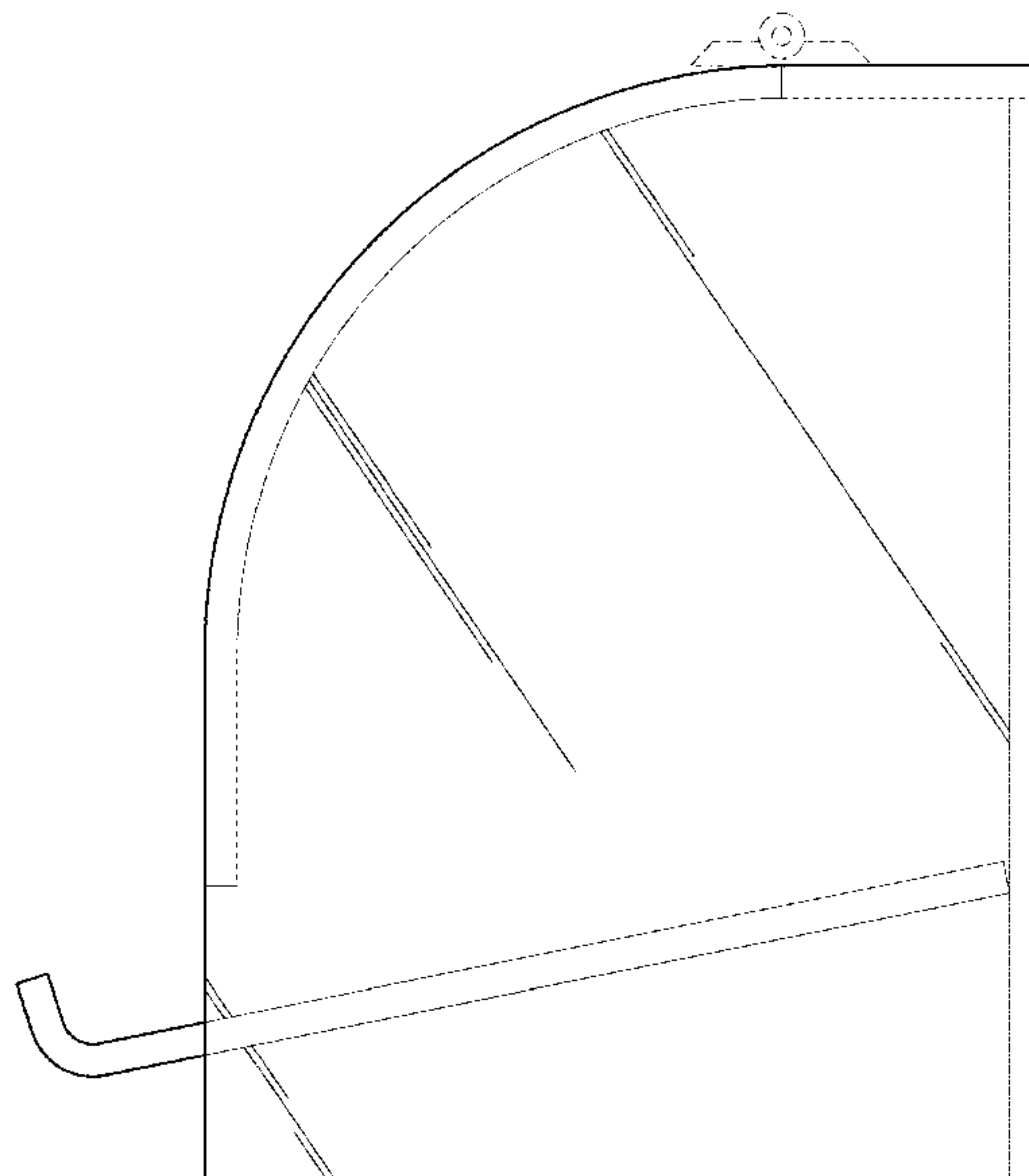
Primary Examiner — Nathan M Johnston
(74) *Attorney, Agent, or Firm* — Womble Bond Dickinson (US) LLP

(57) **CLAIM**
The ornamental design of a dispenser, as shown and described.

DESCRIPTION

FIG. 1 is a side elevation view of the dispenser showing the new design; and,
FIG. 2 is a front elevation view thereof.
The broken lines show portions of the design that form no part of the claimed design.

1 Claim, 2 Drawing Sheets



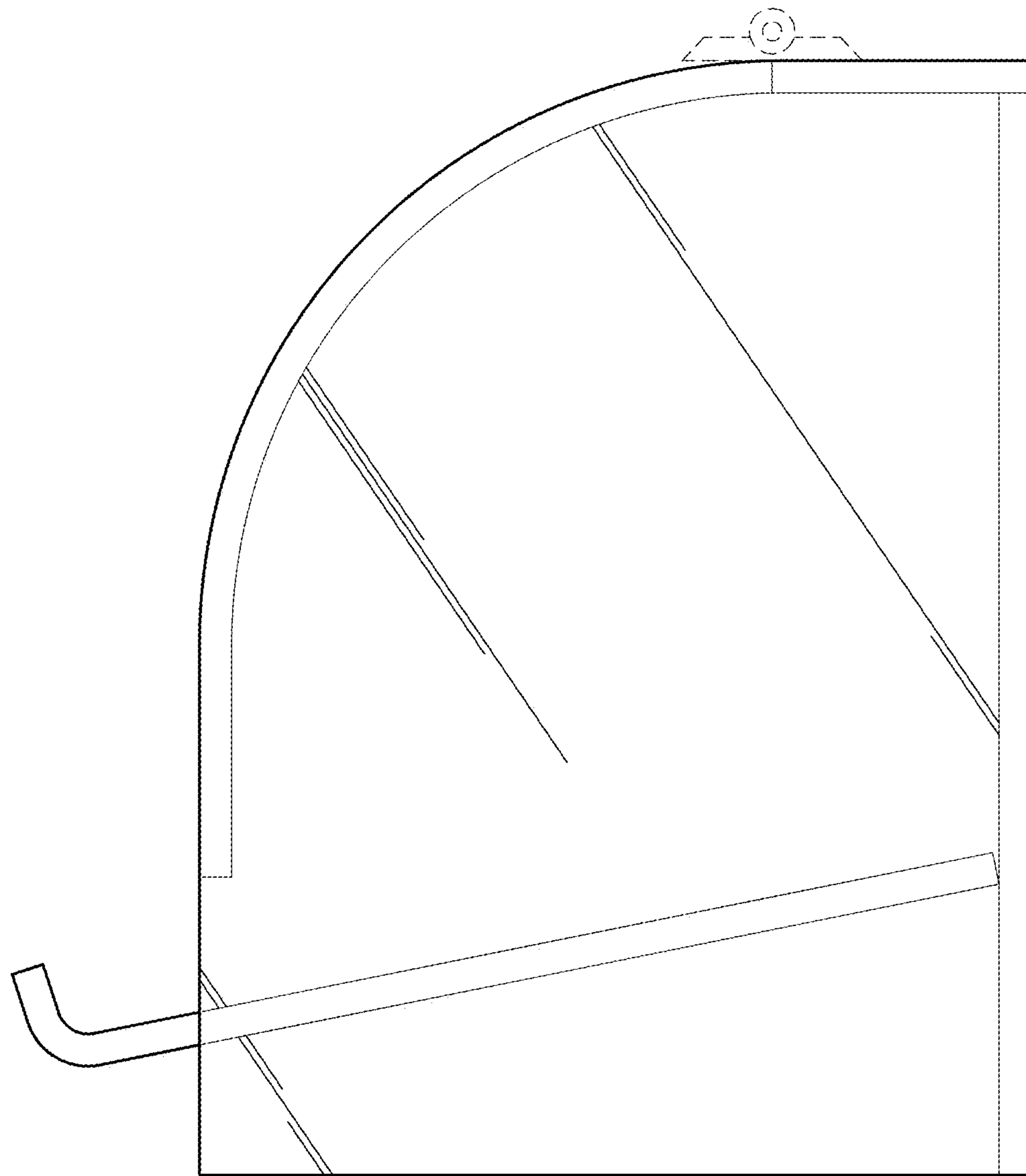


FIG. 1

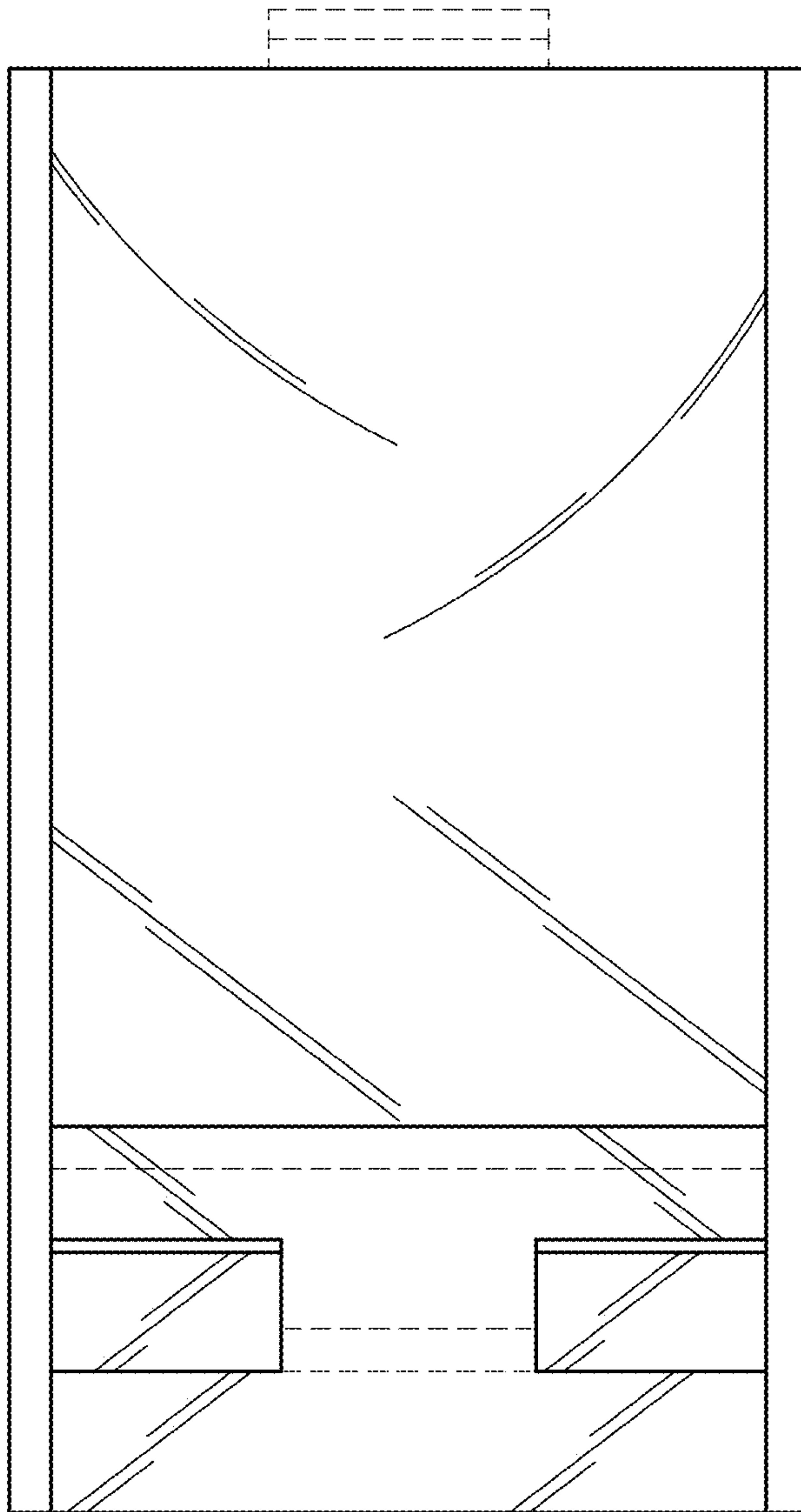


FIG. 2