



US00D891144S

(12) **United States Design Patent** (10) **Patent No.:** **US D891,144 S**
Felsenthal et al. (45) **Date of Patent:** **** Jul. 28, 2020**

(54) **IRON AND BOARD CADDY**
(71) Applicant: **Whitmor, Inc.**, Southaven, MS (US)
(72) Inventors: **Sandy Felsenthal**, Memphis, TN (US);
Gil Gaska, Germantown, TN (US)
(73) Assignee: **Whitmor, Inc.**, Southaven, MS (US)
(**) Term: **15 Years**
(21) Appl. No.: **29/639,062**
(22) Filed: **Mar. 2, 2018**
(51) **LOC (12) Cl.** **06-06**
(52) **U.S. Cl.**
USPC **D6/514**
(58) **Field of Classification Search**
USPC D6/514, 512-513, 552, 553, 524, 525,
D6/566, 570; 211/13.1, 106, 70.6, 134,
211/70.7, 71.01, 86.01, 90.01, 90.03,
211/126.1, 181.1; 248/302, 214, 215,
248/304, 307, 316.8, 324, 339, 340, 34
CPC A47K 17/00; A47K 3/28; A47K 3/001;
A47B 57/265; A47B 57/565; A47B
57/26; D06F 81/00; B23P 17/00
See application file for complete search history.

(56) **References Cited**
U.S. PATENT DOCUMENTS
D547,098 S * 7/2007 Goodman D6/514
D564,167 S * 3/2008 Rosen D32/73
D570,633 S * 6/2008 Goodman D6/566
D677,956 S * 3/2013 Tawil D6/525

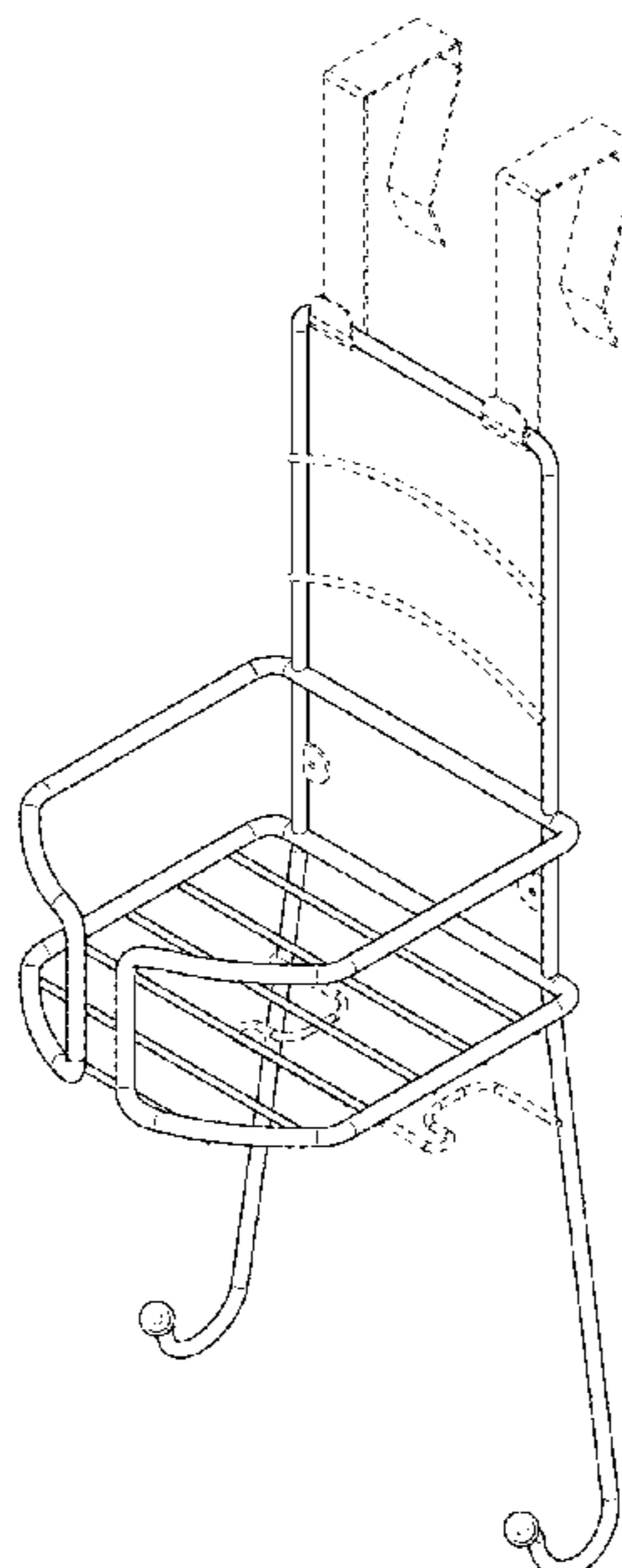
* cited by examiner
Primary Examiner — Wan Laymon
Assistant Examiner — Mark Booker

(74) *Attorney, Agent, or Firm* — Stites & Harbison
PLLC; Richard S. Myers, Jr.

(57) **CLAIM**
The ornamental design for an iron and board caddy, as
shown and described.

DESCRIPTION
FIG. 1 is a front perspective view of the design of an iron and
board caddy of the present invention;
FIG. 2 is a front elevation view of the iron and board caddy
shown in FIG. 1;
FIG. 3 is a rear elevation view of the iron and board caddy
shown in FIG. 1;
FIG. 4 is a right side elevation view of the iron and board
caddy shown in FIG. 1;
FIG. 5 is a top plan view of the iron and board caddy shown
in FIG. 1;
FIG. 6 is a bottom plan view of the iron and board caddy
shown in FIG. 1;
FIG. 7 is a front perspective view of the design of an iron and
board caddy of the present invention;
FIG. 8 is a front elevation view of the iron and board caddy
shown in FIG. 7;
FIG. 9 is a rear elevation view of the iron and board caddy
shown in FIG. 7;
FIG. 10 is a right side elevation view of the iron and board
caddy shown in FIG. 7;
FIG. 11 is a top plan view of the iron and board caddy shown
in FIG. 7; and,
FIG. 12 is a bottom plan view of the iron and board caddy
shown in FIG. 7.
The broken line showing in the figures is included for the
purpose of illustrating portions of the iron and board caddy
and form no part of the claimed design.

1 Claim, 10 Drawing Sheets



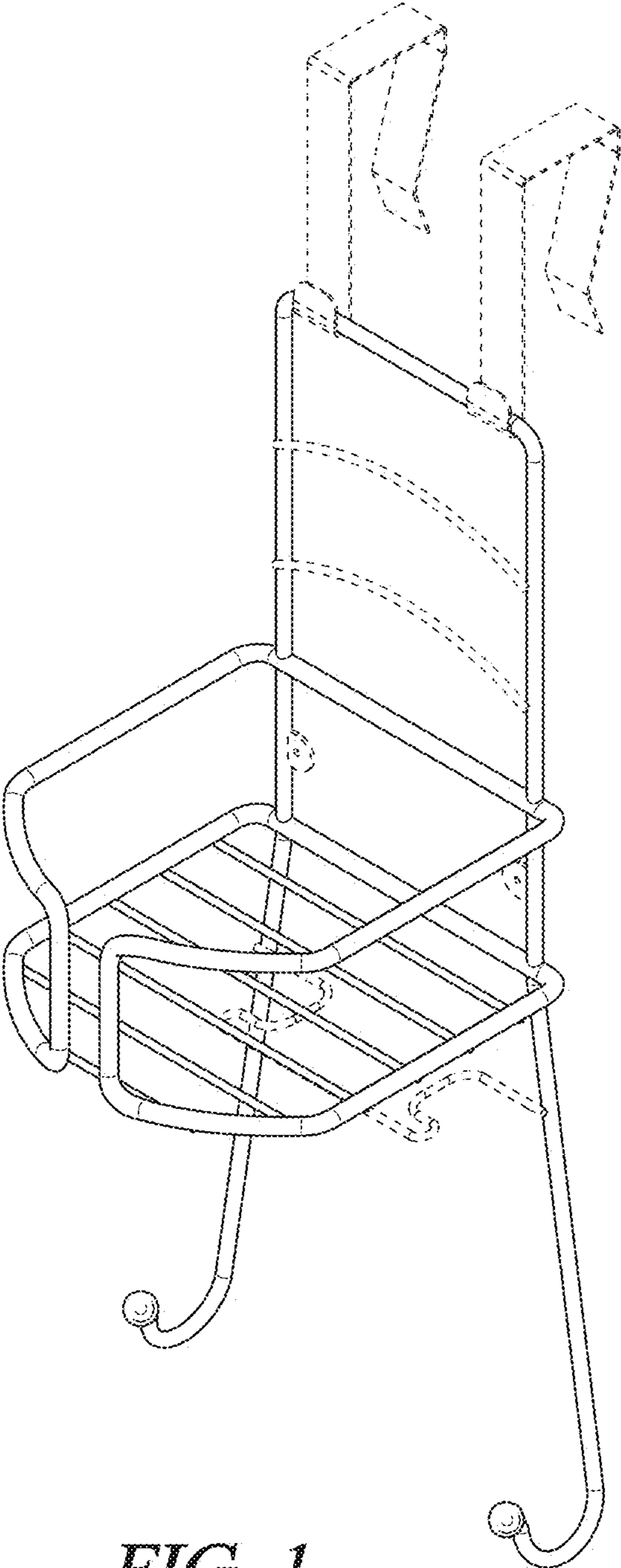


FIG. 1

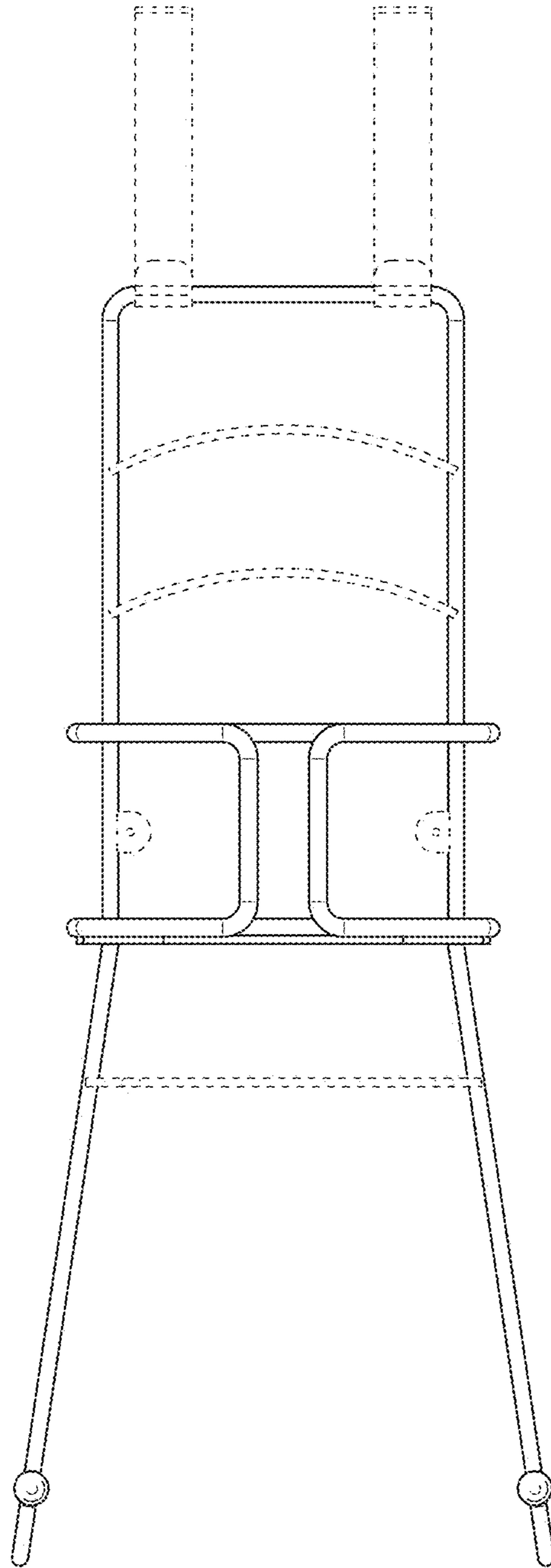


FIG. 2

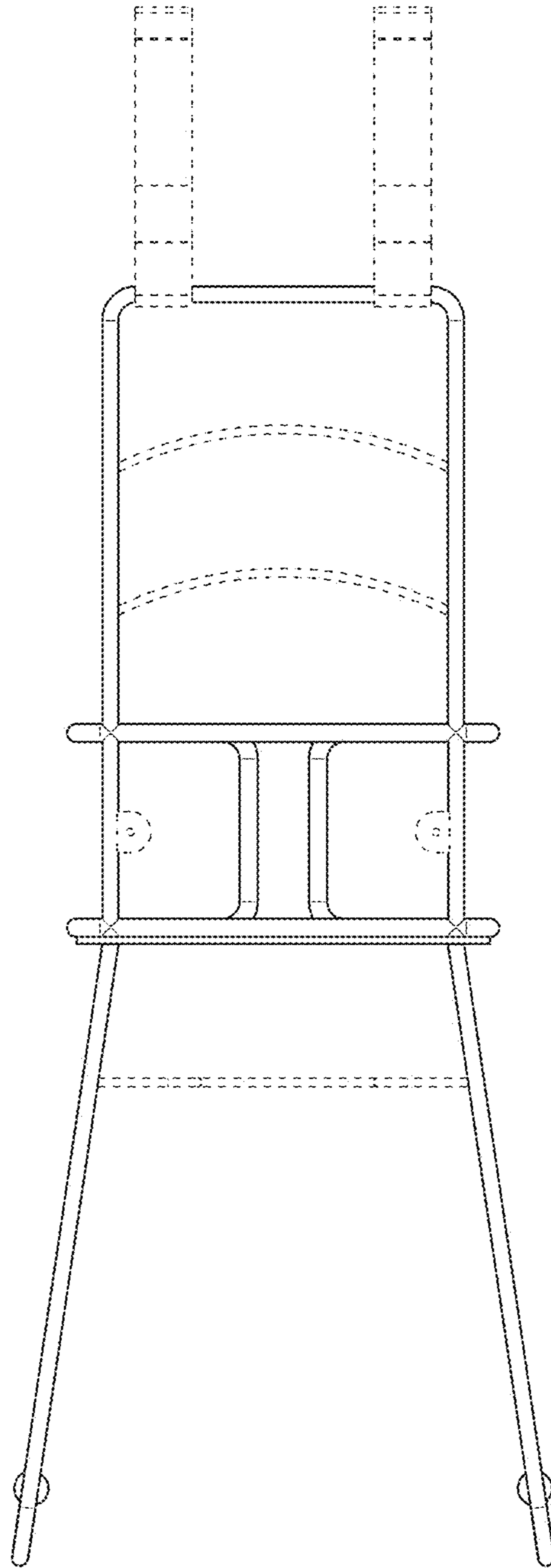


FIG. 3

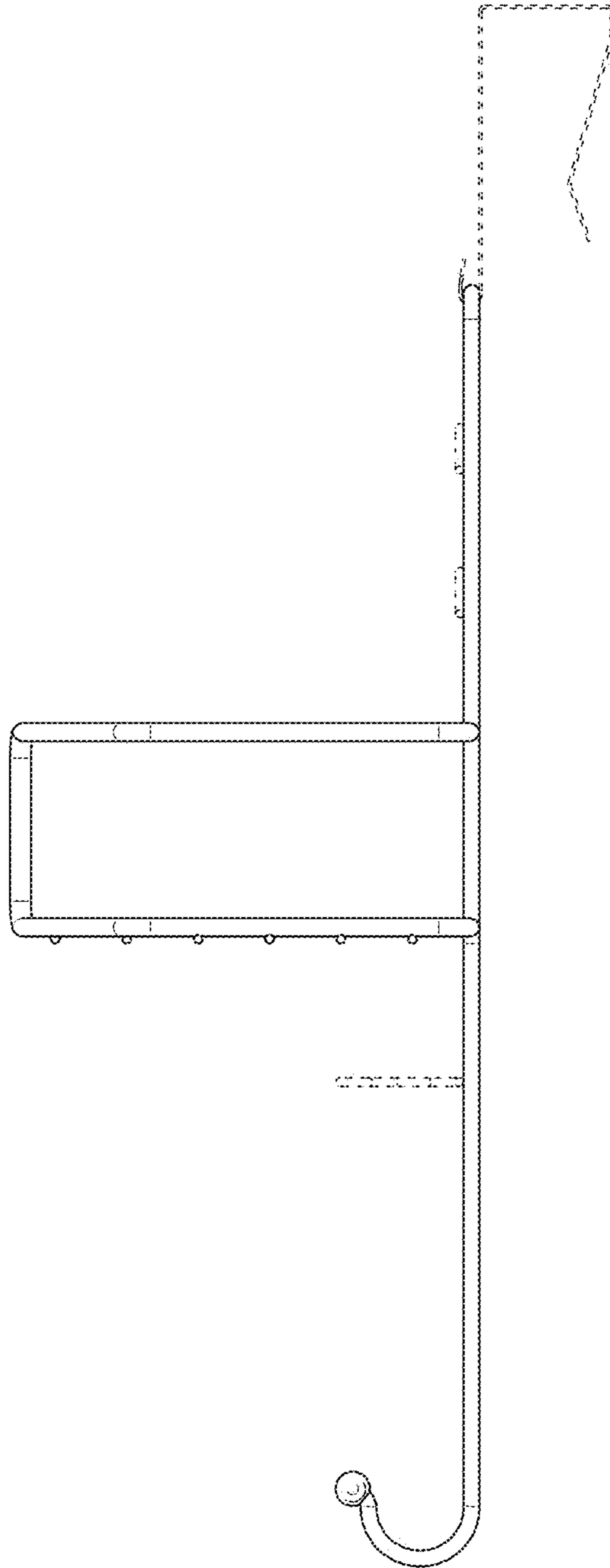


FIG. 4

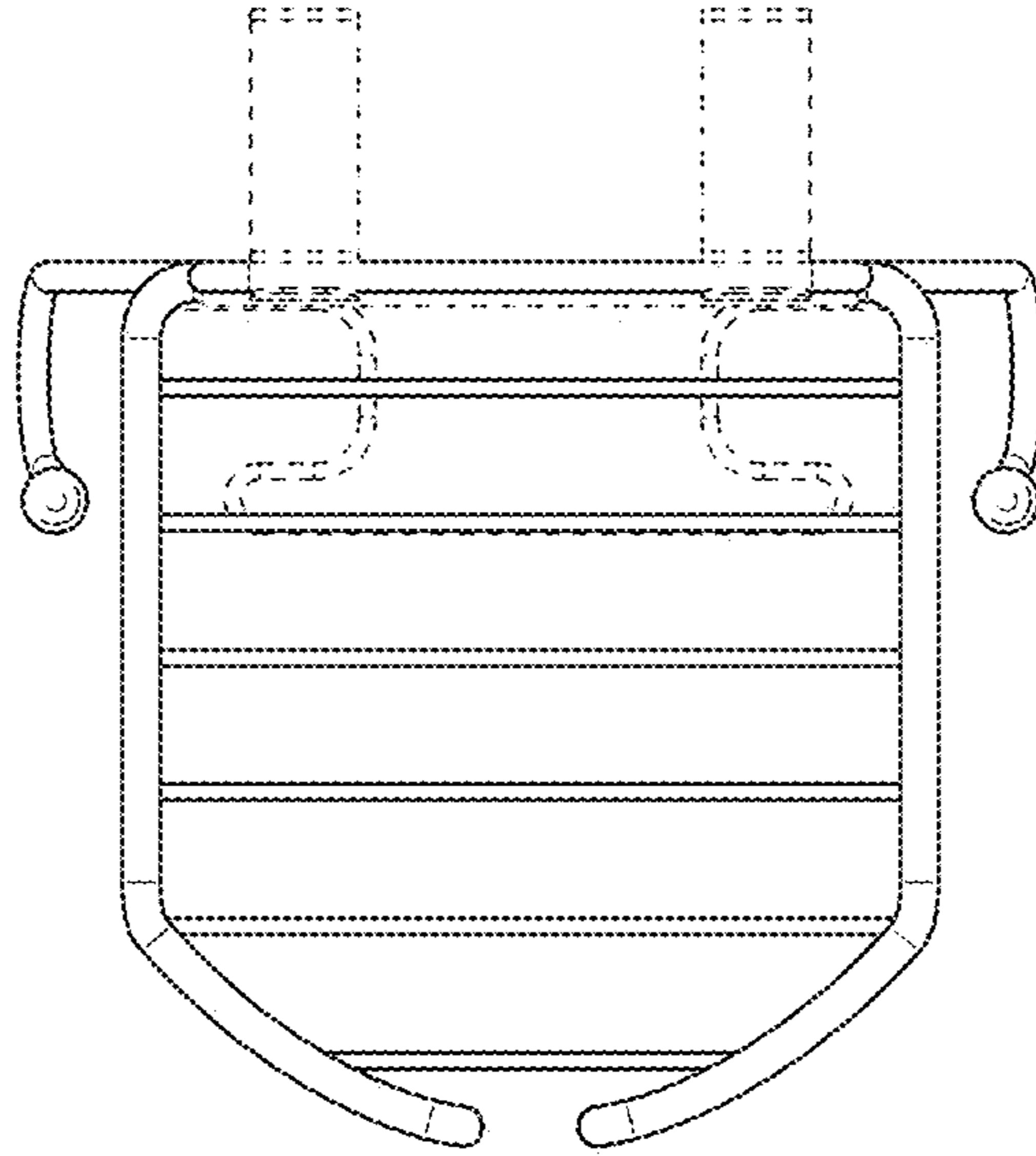


FIG. 5

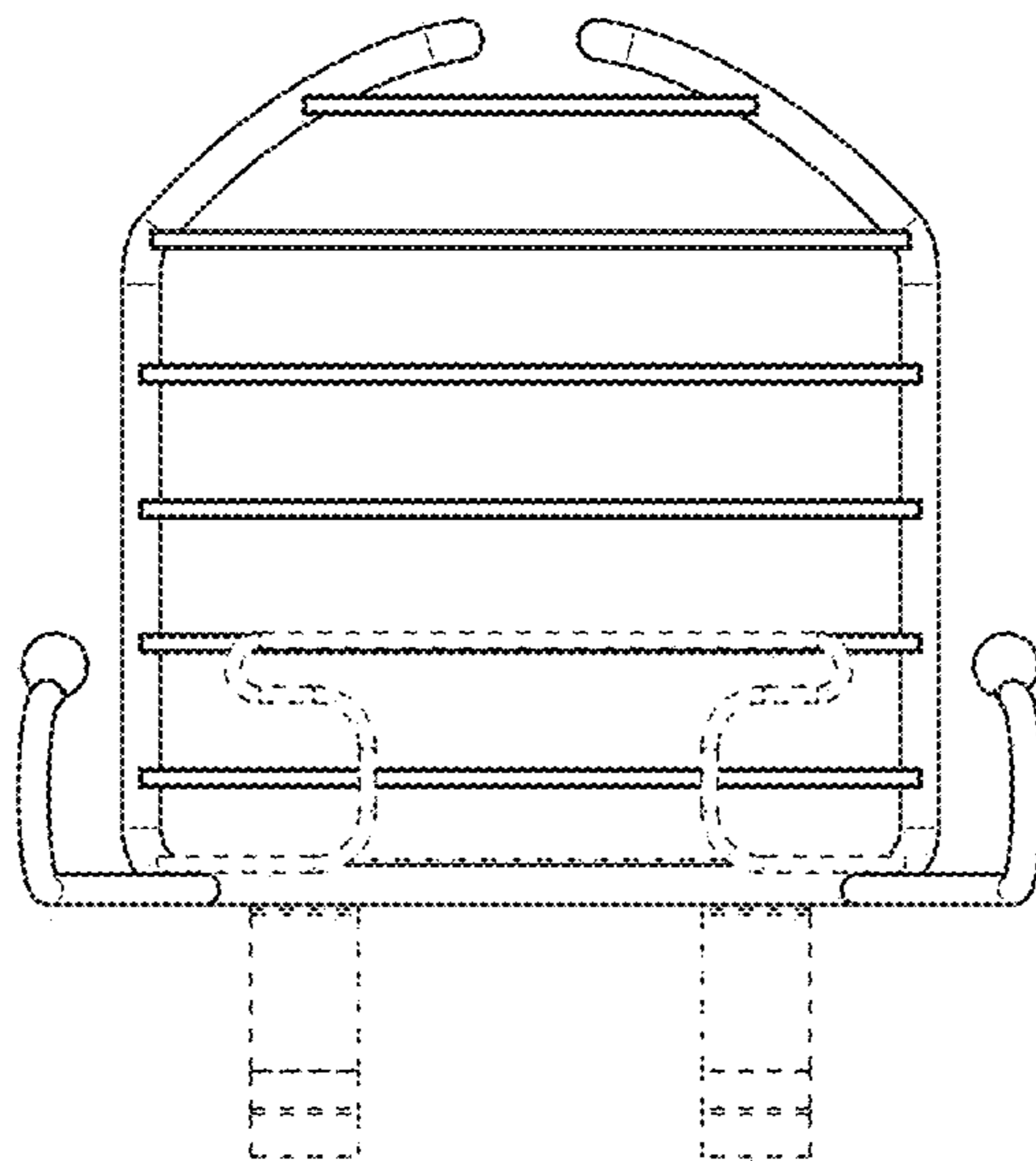


FIG. 6

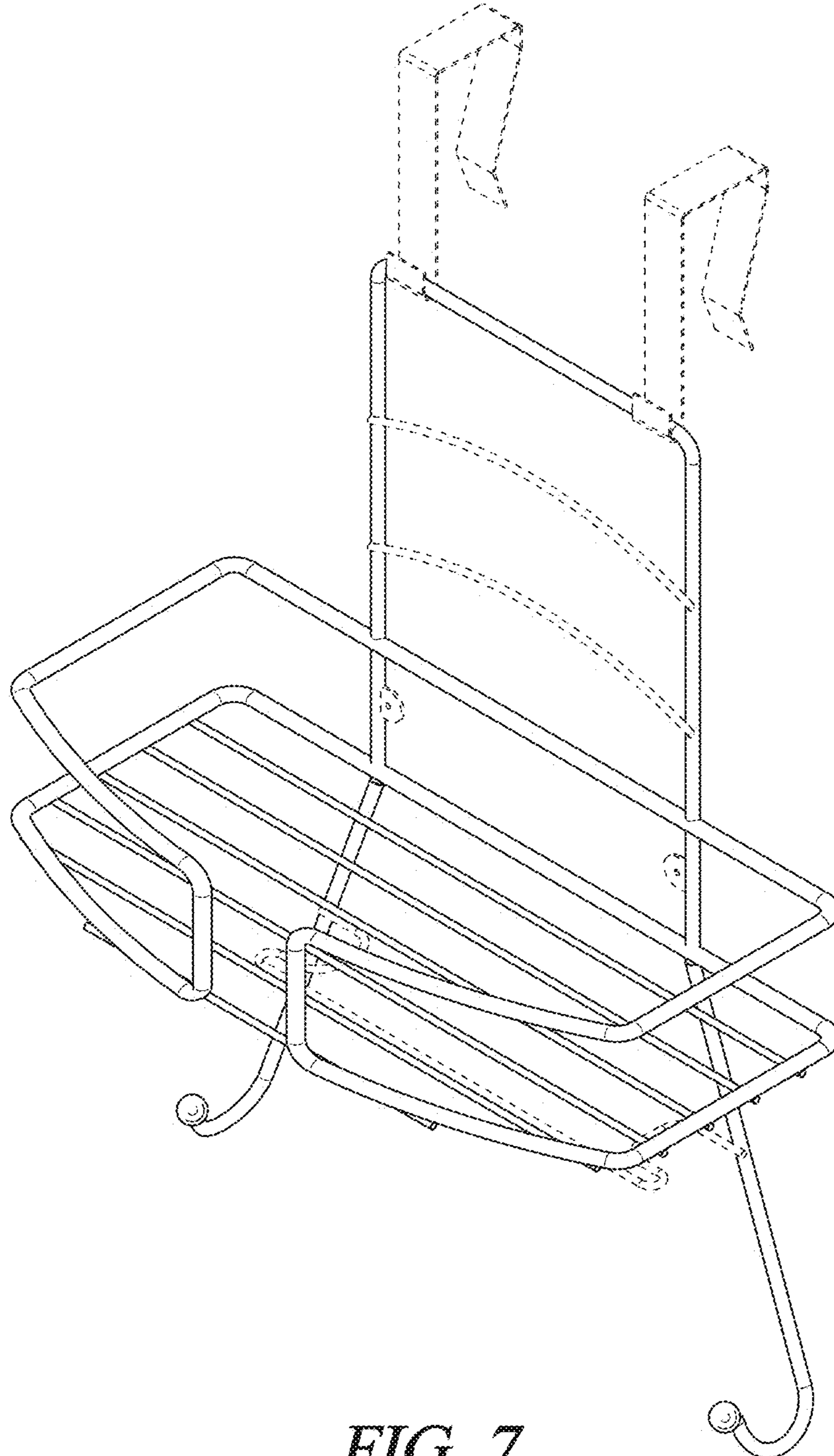


FIG. 7

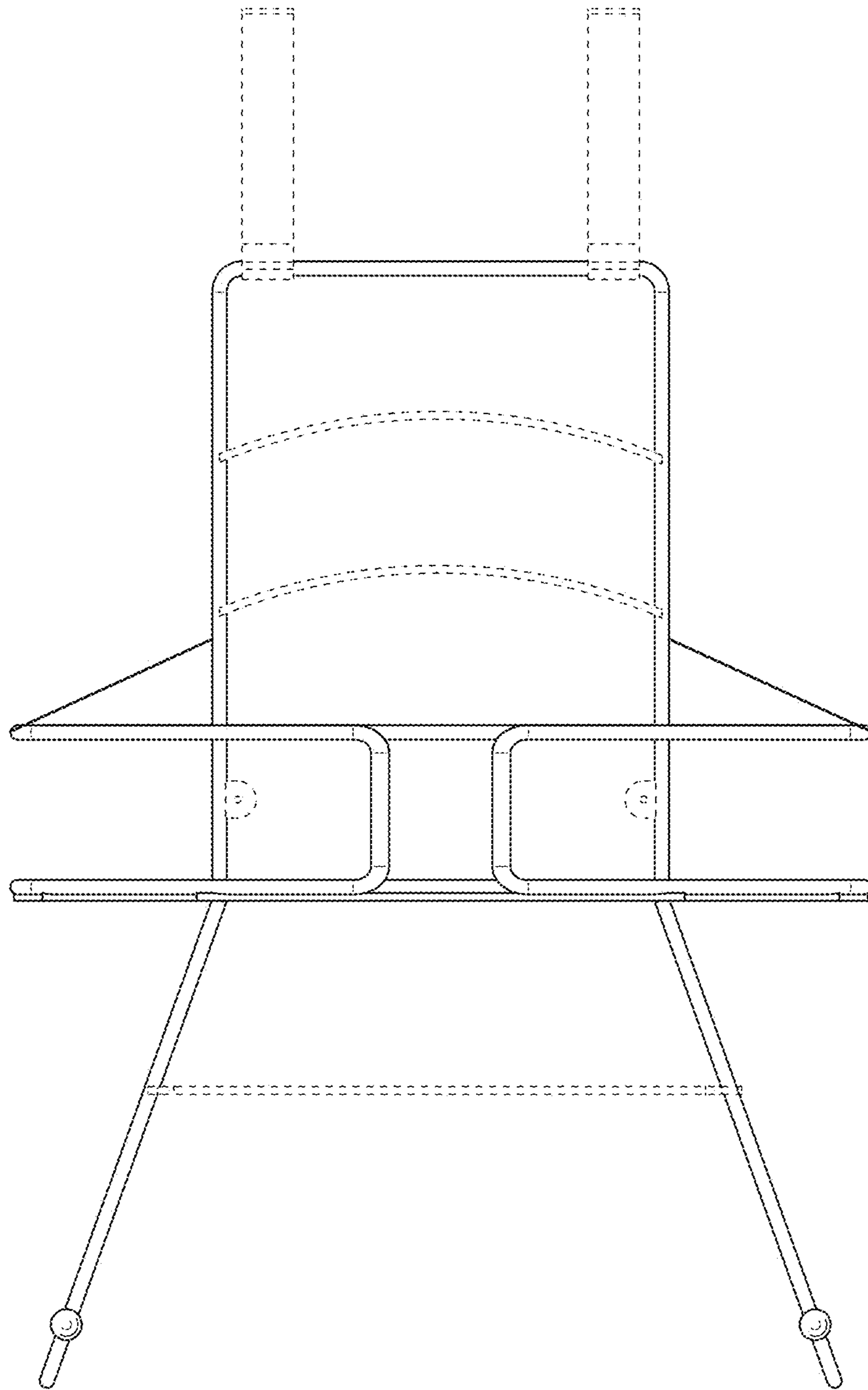


FIG. 8

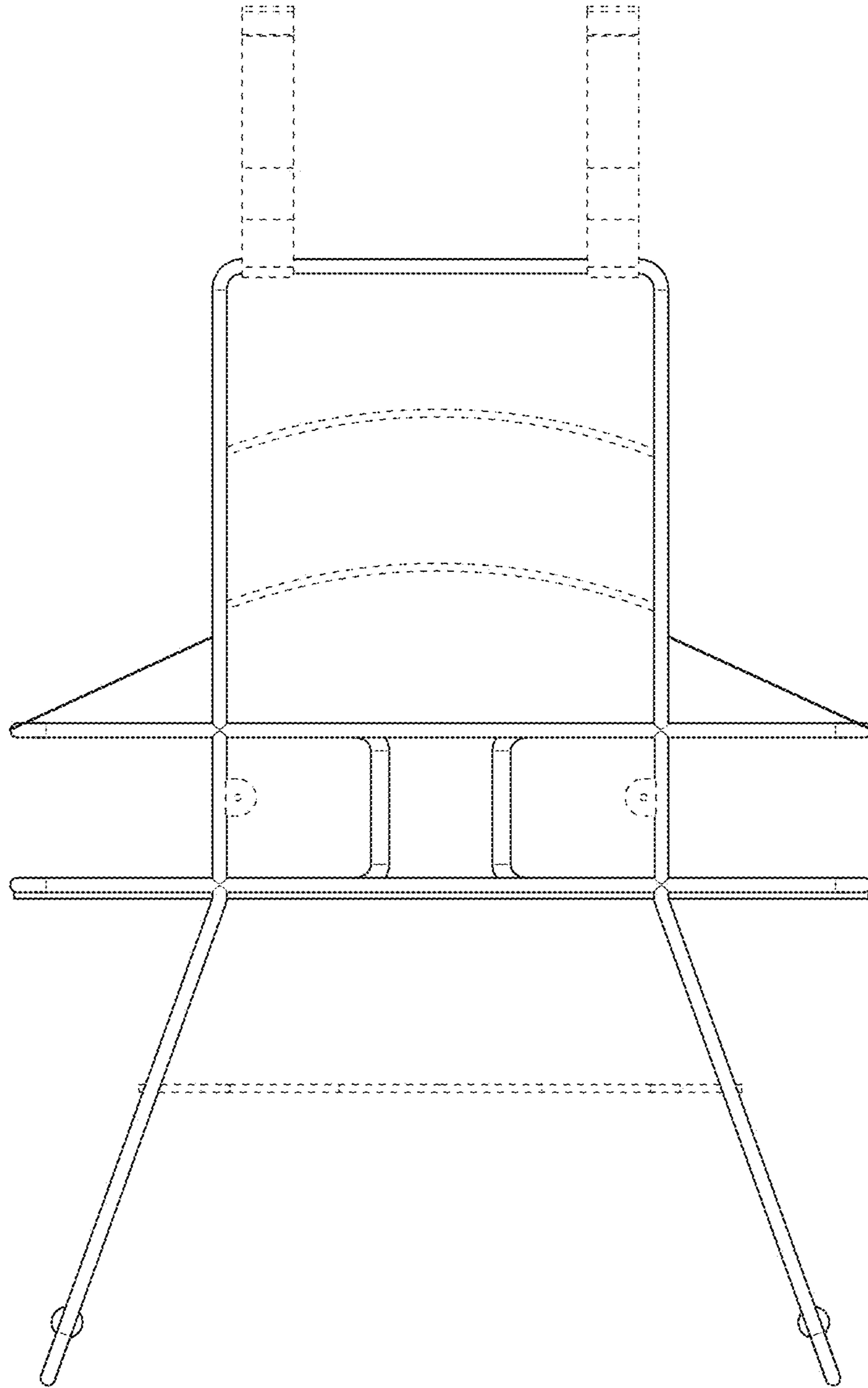


FIG. 9

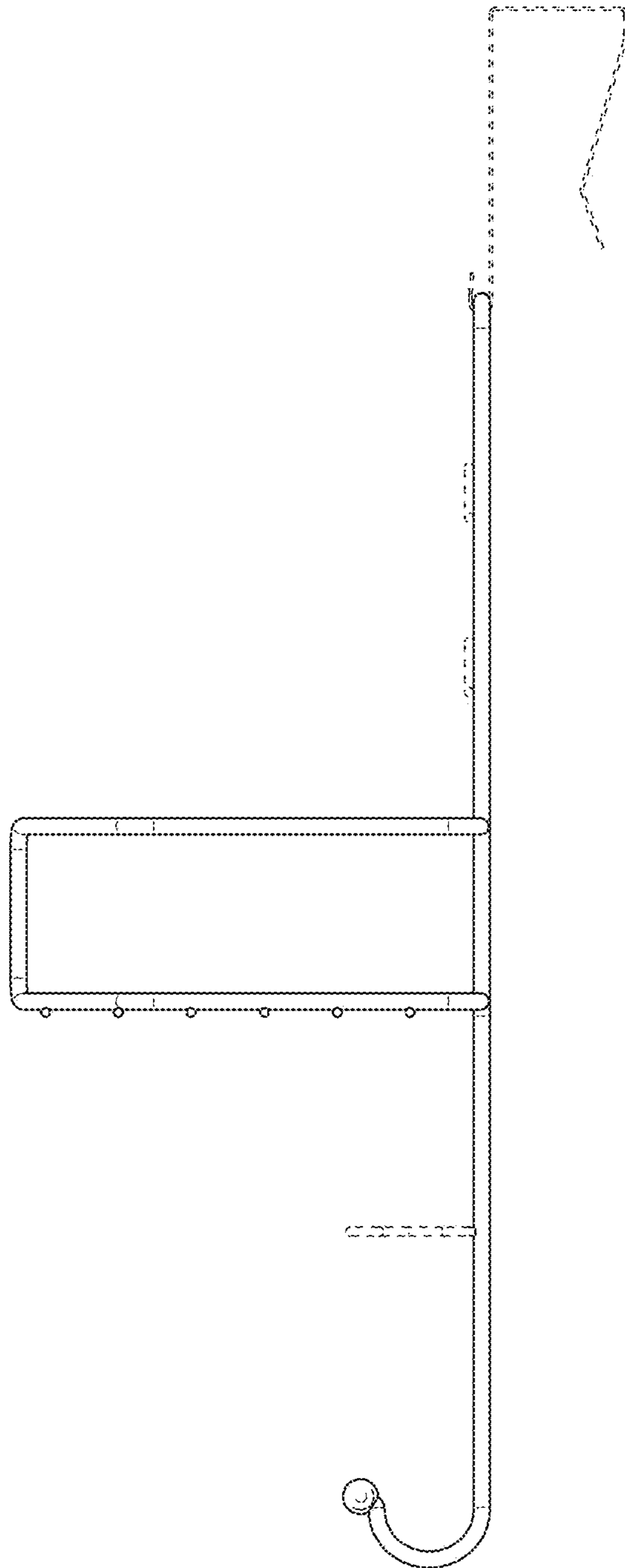


FIG. 10

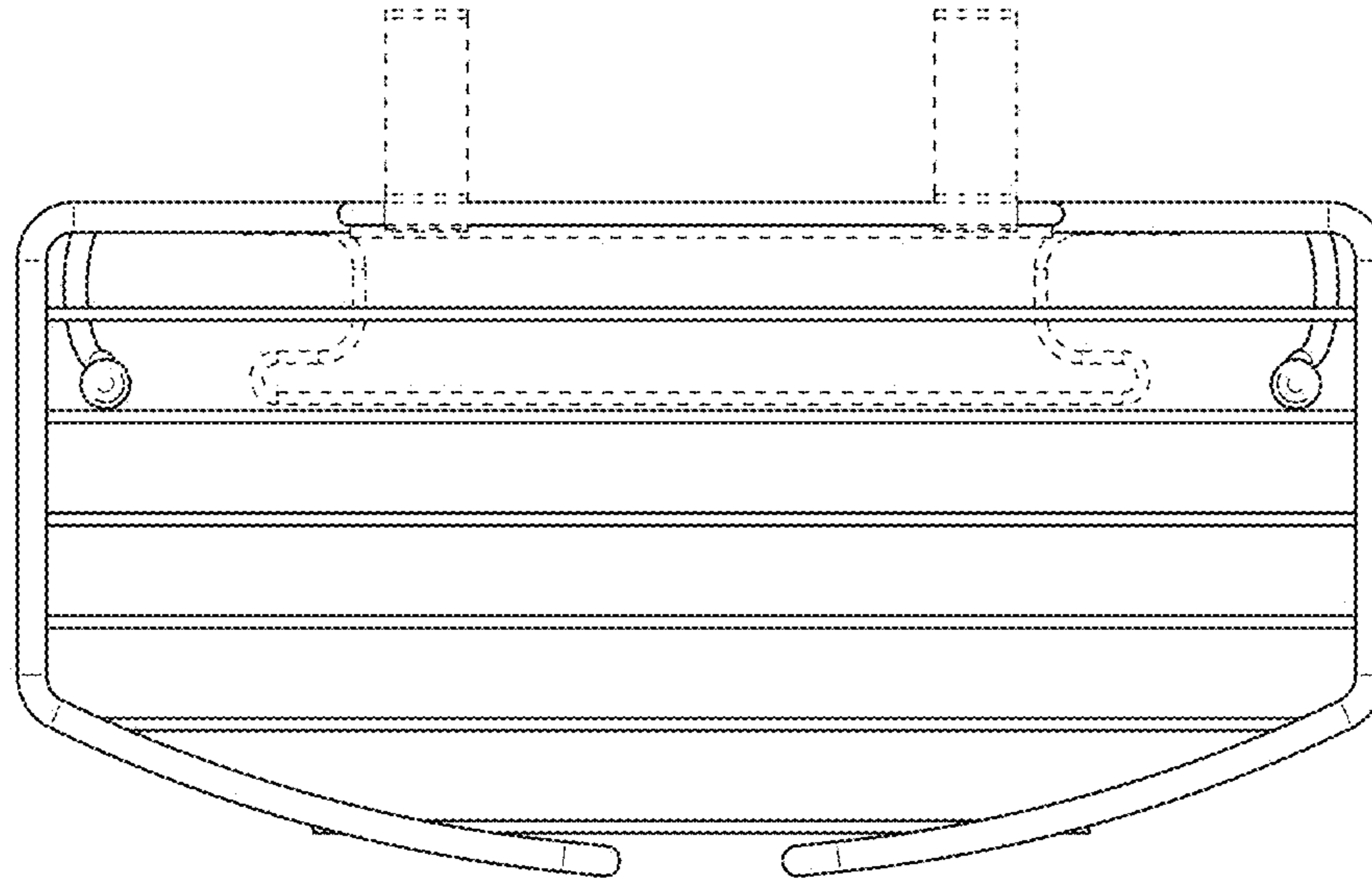


FIG. 11

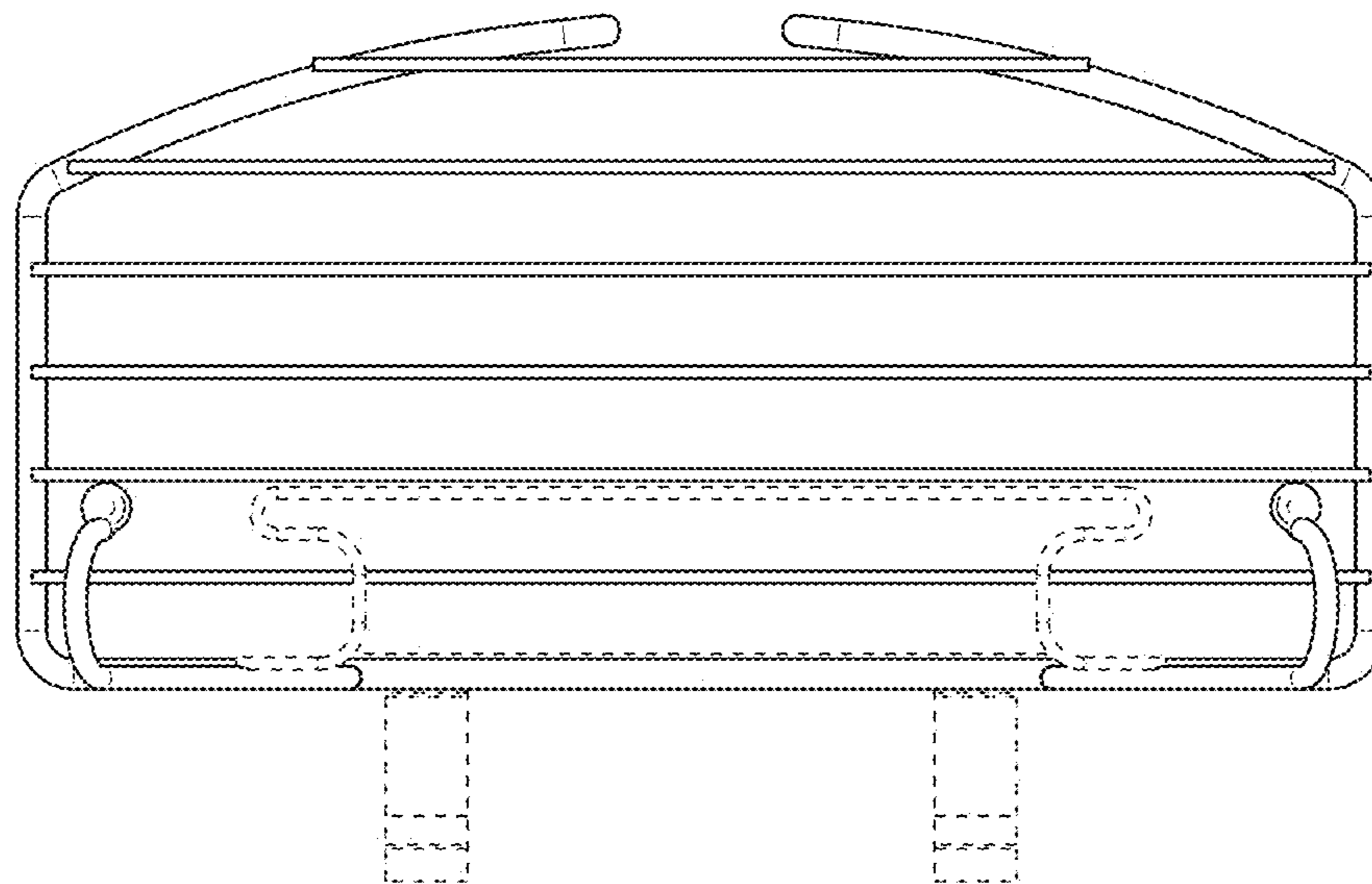


FIG. 12