



US00D891142S

(12) **United States Design Patent**
Shibata

(10) **Patent No.:** **US D891,142 S**

(45) **Date of Patent:** **** Jul. 28, 2020**

(54) **CHAIR**

(71) Applicant: **TAKANO CO., LTD.**, Nagano (JP)

(72) Inventor: **Masashi Shibata**, Nagano (JP)

(73) Assignee: **TAKANO CO., LTD.**, Nagano (JP)

(**) Term: **15 Years**

(21) Appl. No.: **29/678,305**

(22) Filed: **Jan. 28, 2019**

(30) **Foreign Application Priority Data**

Sep. 28, 2018 (JP) 2018-021369

(51) **LOC (12) Cl.** **06-01**

(52) **U.S. Cl.**
USPC **D6/380; D6/379**

(58) **Field of Classification Search**
USPC D6/366, 367, 368, 369, 716.7, 708.16,
D6/708.23, 372, 334, 361, 364, 375, 716,
D6/360, 373, 348, 379, 358, 716.4,
D6/707.16, 362, 339, 329, 374, 342, 330,
D6/332, 320, 315, 380, 376, 708.18,
D6/709.2

CPC .. A47C 4/028; A47C 4/02; A47C 7/18; A47C
7/40; A47C 7/383; A47C 7/506; A47C
9/007; A47C 13/023; A47C 1/124; A47C
1/04; A47C 1/16; A47C 7/16; A47C 3/04;
A47C 3/00; B60N 2/0715; B60N 2/22;
B60N 2/48; B60N 2/449; B60N 2/4882;
A47D 1/00; B29L 2031/771

See application file for complete search history.

(56) **References Cited**

U.S. PATENT DOCUMENTS

4,648,653 A * 3/1987 Rowland A47C 3/04
297/239
D655,102 S * 3/2012 Yetman D6/373

D656,334 S * 3/2012 Kumazawa D6/373
D656,335 S * 3/2012 Kumazawa D6/373
D685,208 S * 7/2013 Kumazawa D6/716.2
D694,034 S * 11/2013 Takano et al. D6/373
D778,631 S 2/2017 Tanaka et al.
D802,321 S * 11/2017 Martinez D6/373
D876,115 S * 2/2020 Urquiola D6/373

(Continued)

FOREIGN PATENT DOCUMENTS

CN 305001085 * 9/2018
GB 6009560 * 3/2017

(Continued)

OTHER PUBLICATIONS

Office Source ,OfficeSourceStackable Reception Chair, Multi-Purpose Arm Chair,[online]retrieved Apr. 2, 2020, available from internet, www.amazon.com (Year: 2020).*

(Continued)

Primary Examiner — Keli L Hill

Assistant Examiner — Sara S Sahneh

(74) *Attorney, Agent, or Firm* — Notaro, Michalos & Zaccaria P.C.

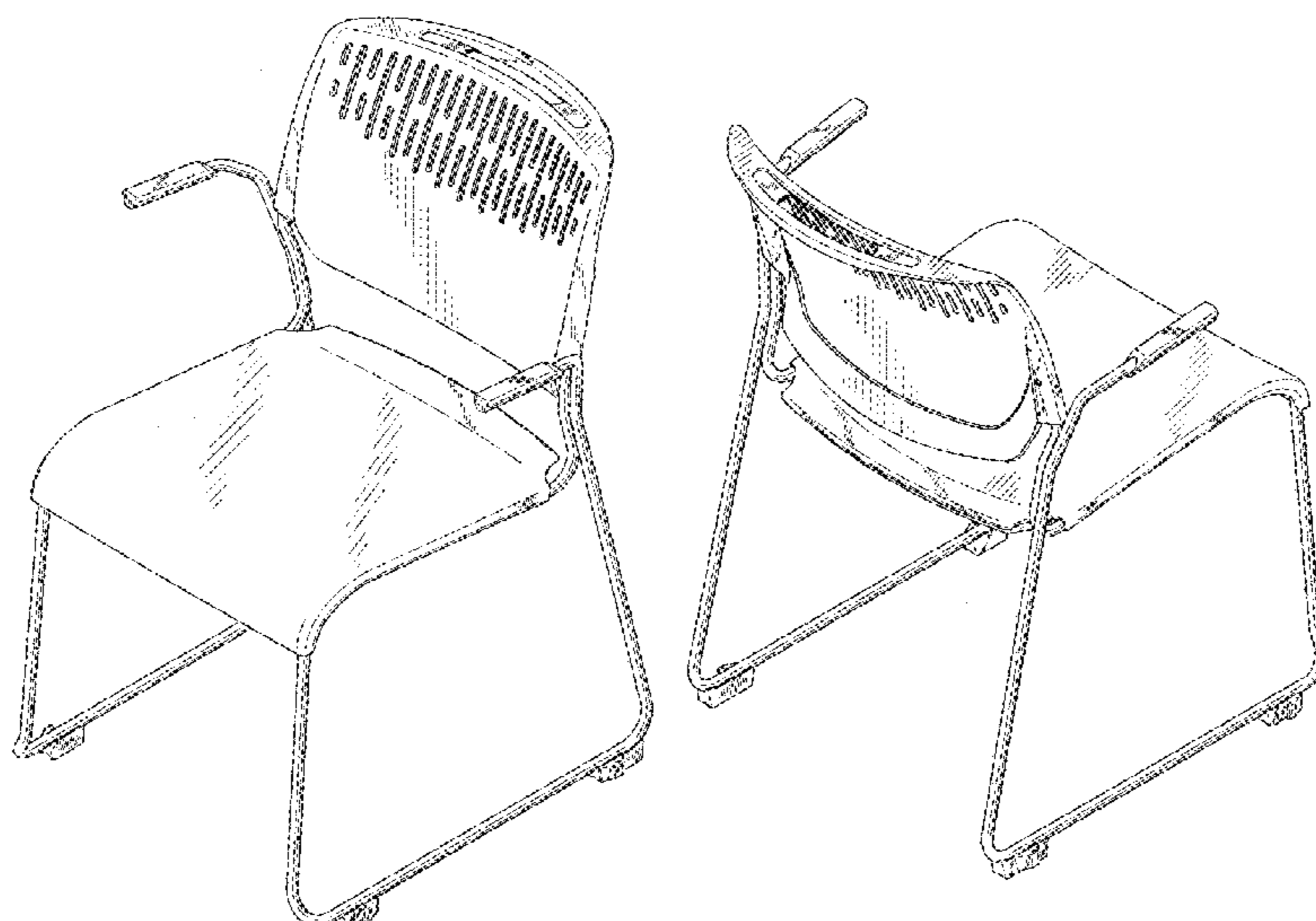
(57) **CLAIM**

The ornamental design for a chair, as shown and described.

DESCRIPTION

FIG. 1 is a front perspective view of a chair, showing our new design therefor;
FIG. 2 is a rear perspective view thereof;
FIG. 3 is a front elevation view thereof;
FIG. 4 is a rear elevation view thereof;
FIG. 5 is a top plan view thereof;
FIG. 6 is a bottom plan view thereof;
FIG. 7 is a right side elevation view thereof; and,
FIG. 8 is a left side elevation view thereof.

1 Claim, 8 Drawing Sheets



(56)

References Cited

U.S. PATENT DOCUMENTS

2010/0176646 A1* 7/2010 Rowland A47C 5/06
297/452.56
2014/0361588 A1* 12/2014 Romero A47C 1/03294
297/248
2015/0164231 A1* 6/2015 Piretti A47C 7/445
297/354.1
2015/0173514 A1* 6/2015 Kikuchi A47C 3/00
297/451.9

FOREIGN PATENT DOCUMENTS

IN 227763-0001 * 3/2010
KR 300674084.0000 * 2/2012
KR 300742225.0000 * 6/2013
KR 300816553.0000 * 2/2015

OTHER PUBLICATIONS

Total Office 360,9to5 Seating Kelley 1070, [online]retrieved Apr. 2, 2020, available from internet,<https://totaloffice360.com/> (Year: 2020).*
Safco, Safco Products Sassy Stack Chair, Date first available Jul. 22, 2009, [online]retrieved Apr. 2, 2020, available from internet, www.amazon.com (Year: 2019).*

* cited by examiner

Fig. 1

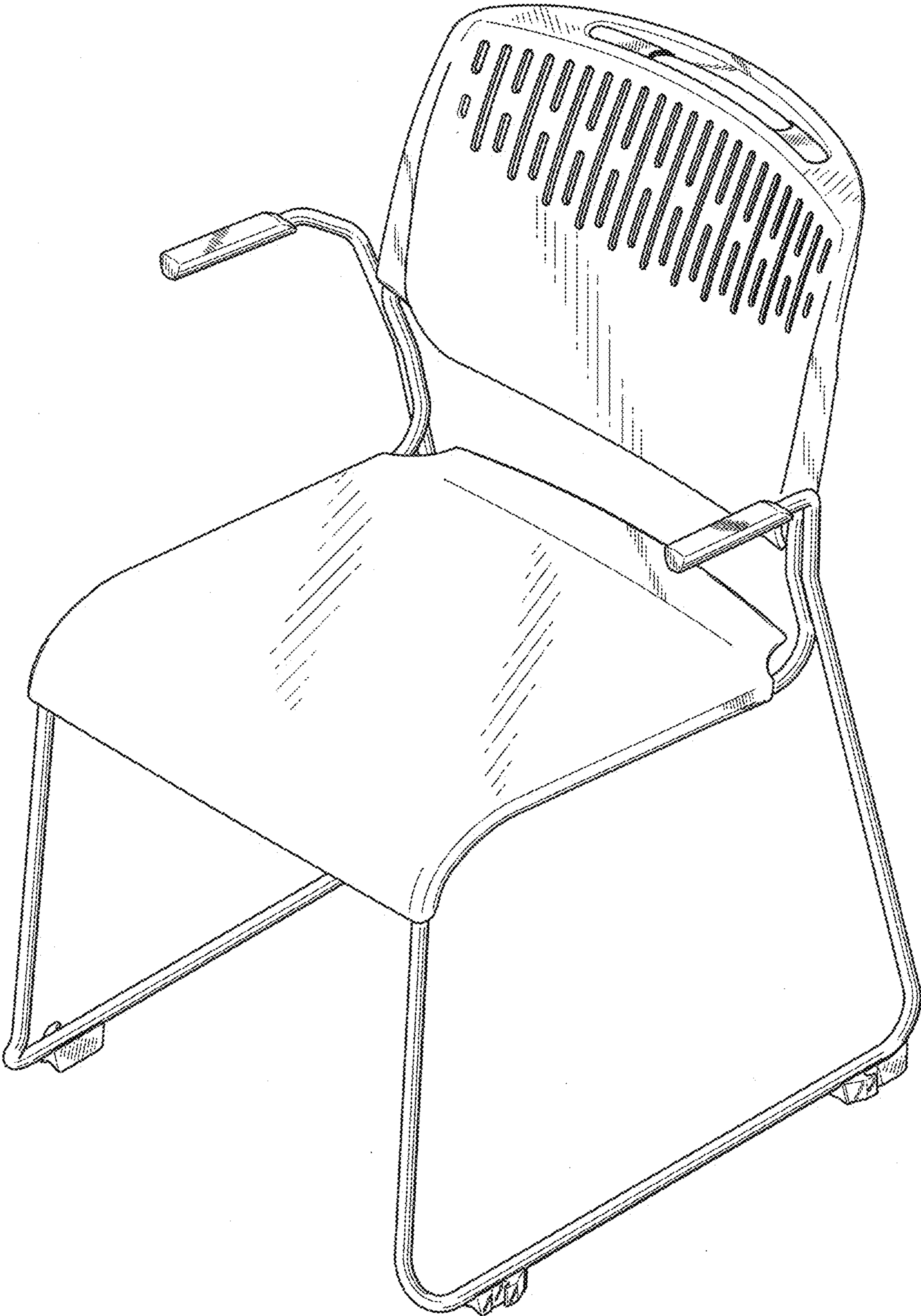


Fig. 2

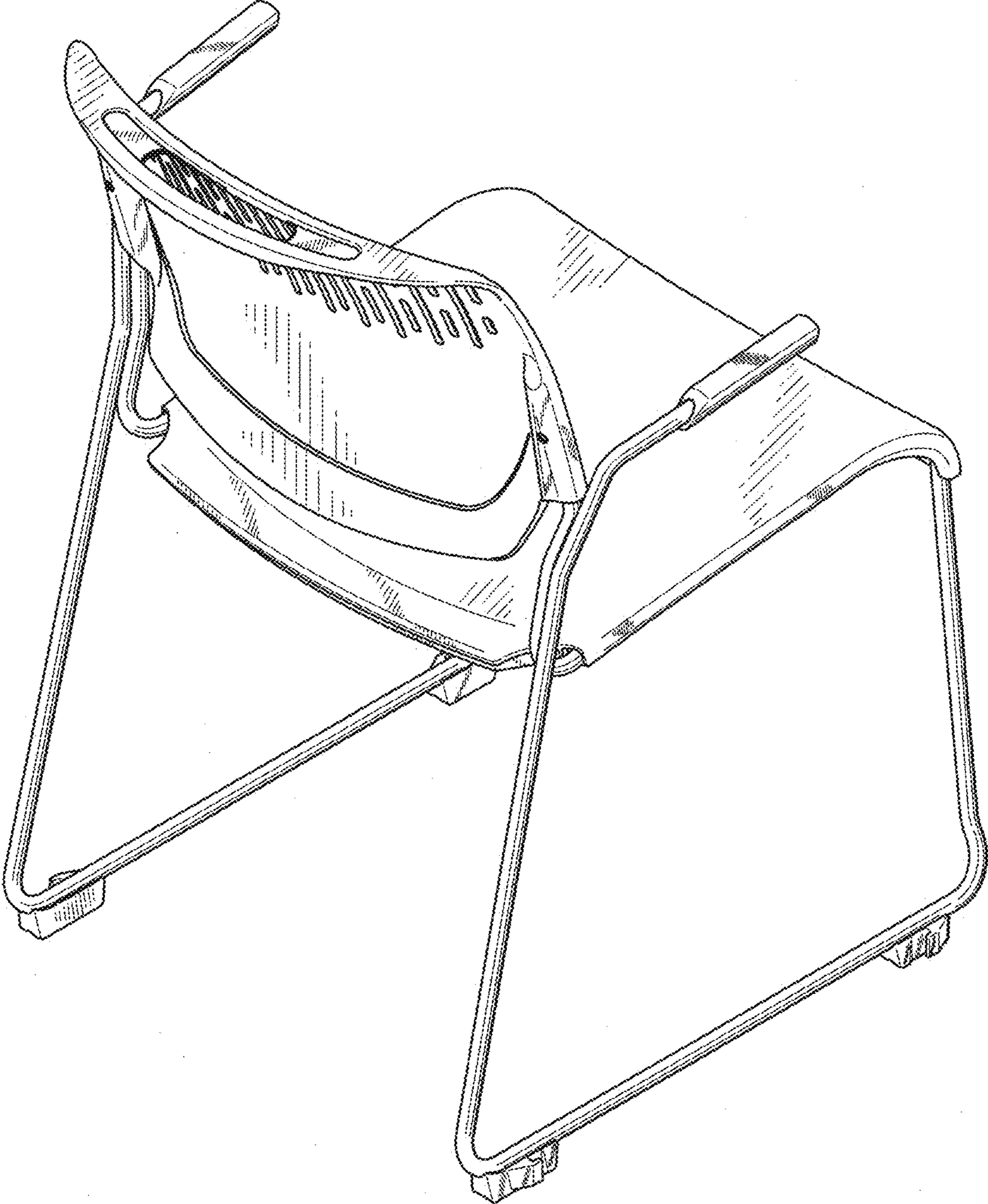


Fig. 3

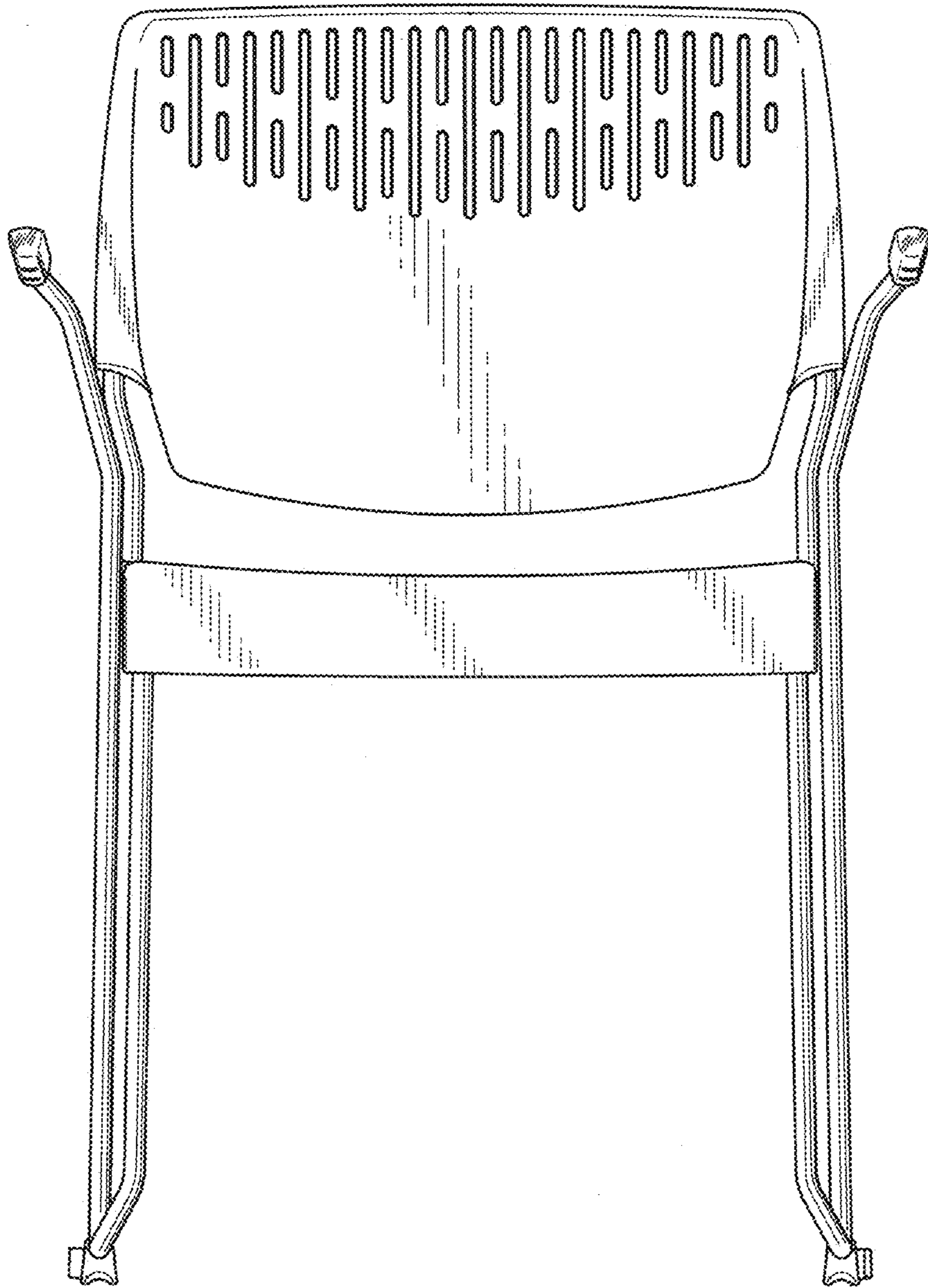


Fig. 4

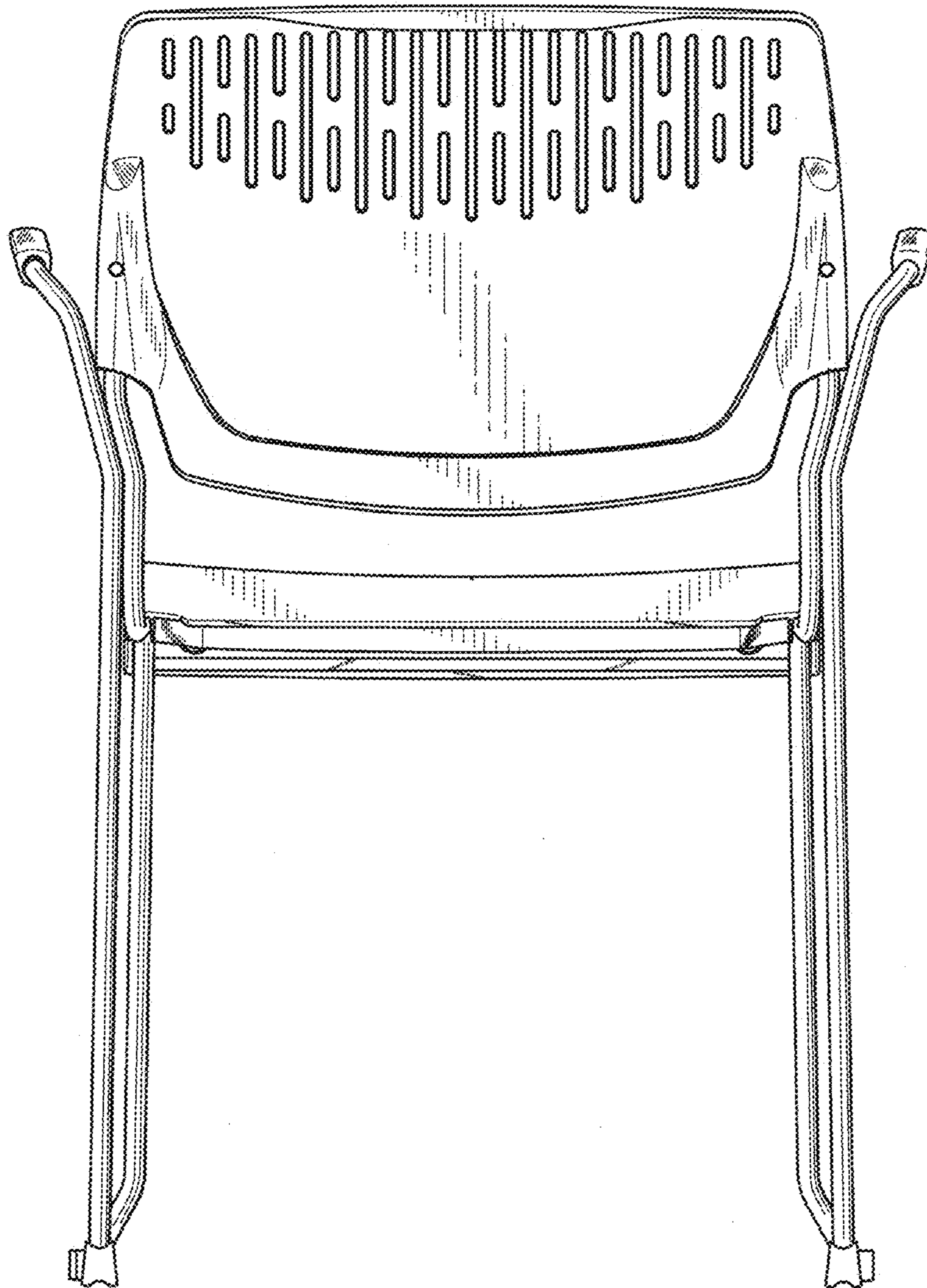


Fig. 5

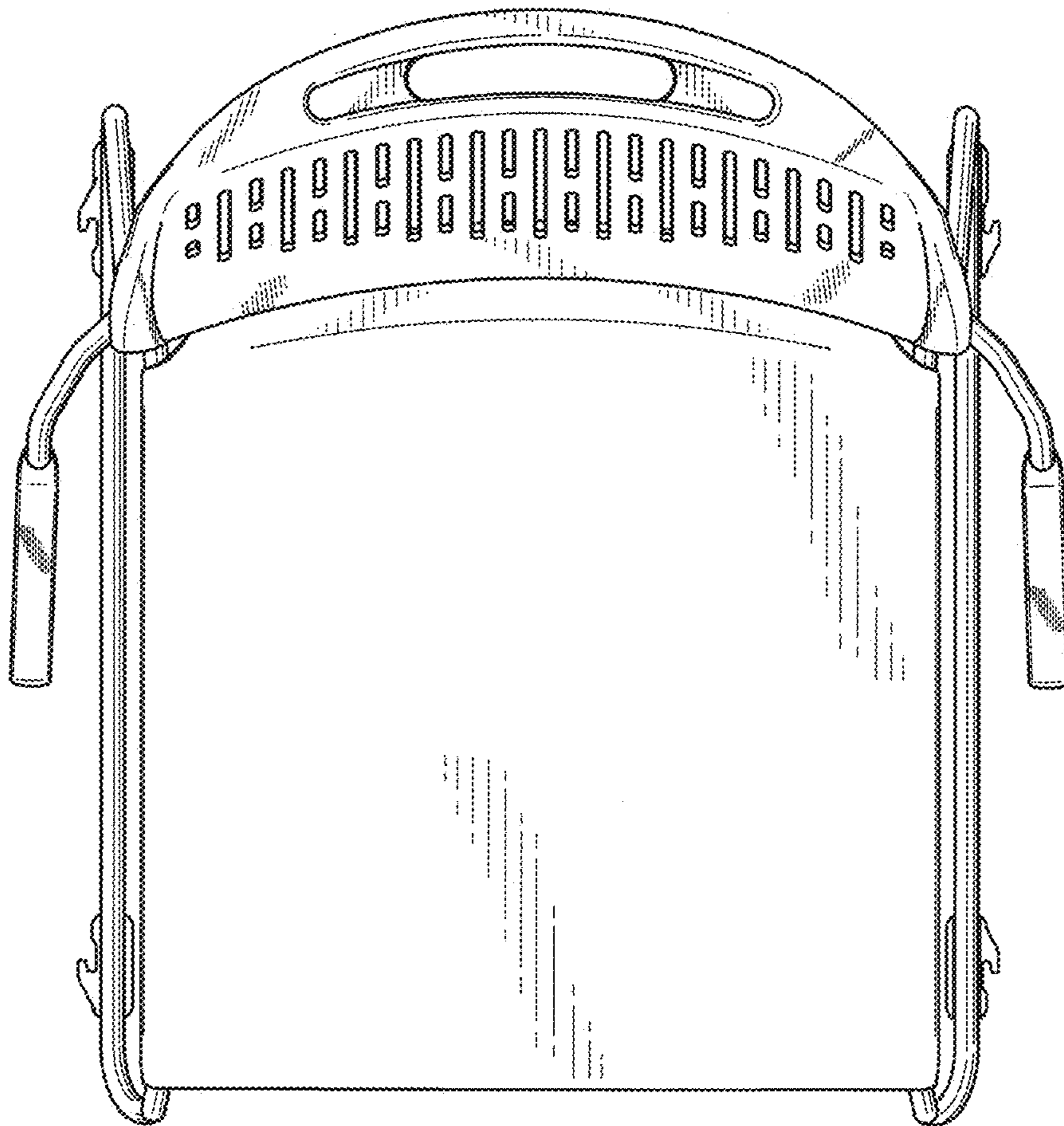


Fig. 6

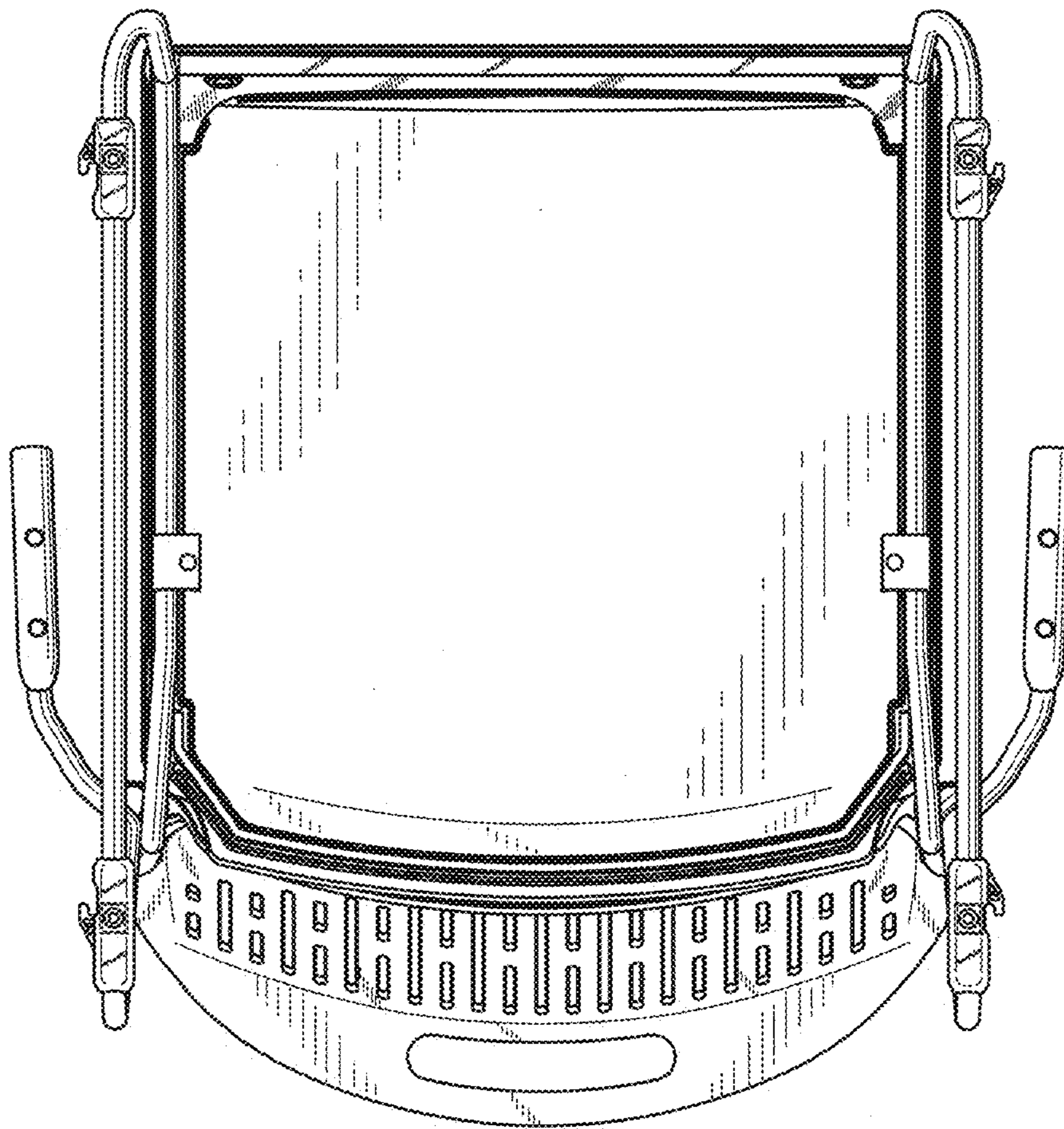


Fig. 7

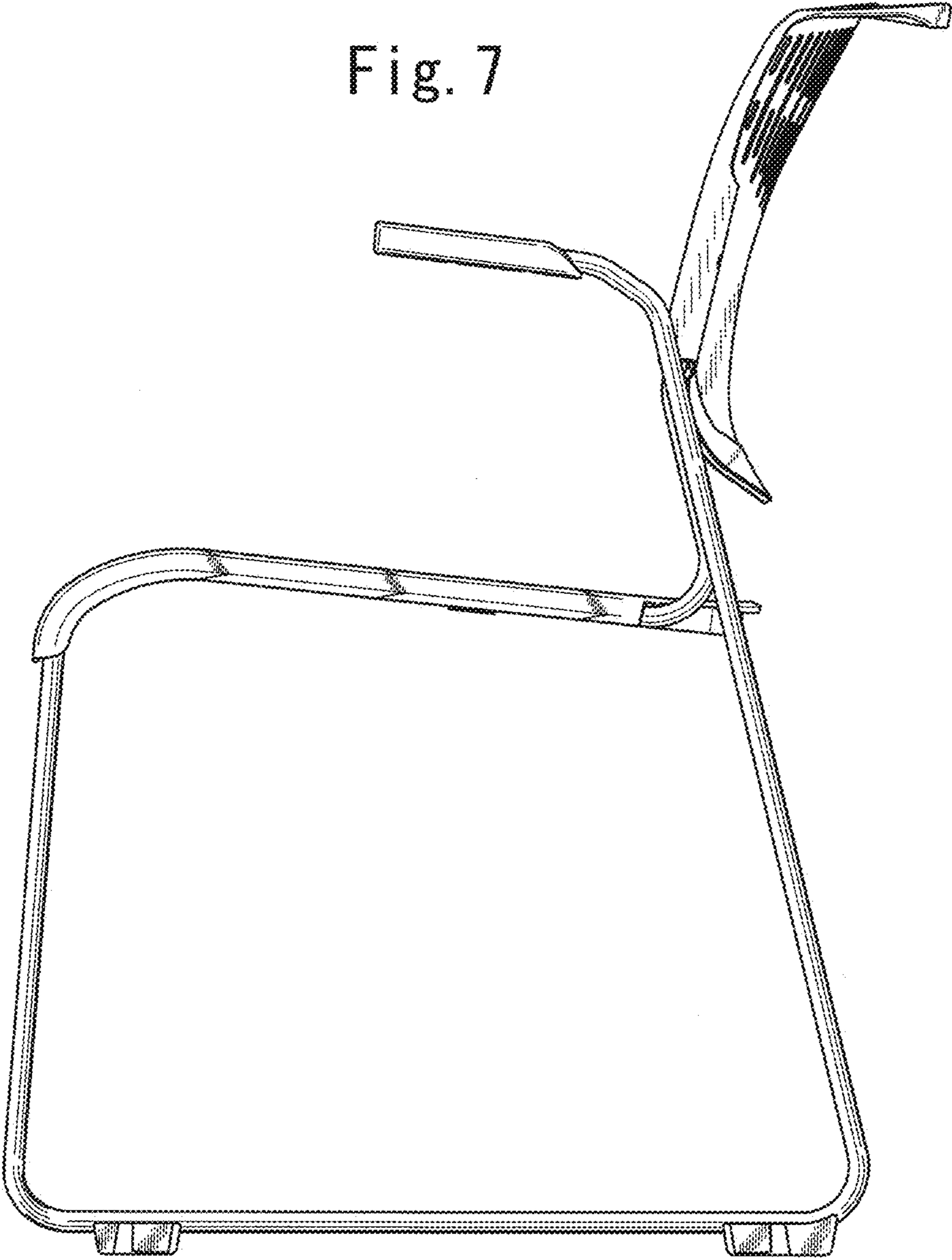


Fig. 8

