



US00D891135S

(12) **United States Design Patent**
Chen

(10) **Patent No.:** **US D891,135 S**

(45) **Date of Patent:** **** Jul. 28, 2020**

(54) **FOLDING EASY CARRY STADIUM SEAT FOR BLEACHERS**

(71) Applicant: **Qibing Chen**, Fujian (CN)

(72) Inventor: **Qibing Chen**, Fujian (CN)

(**) Term: **15 Years**

(21) Appl. No.: **29/649,168**

(22) Filed: **May 27, 2018**

(51) **LOC (12) Cl.** **06-01**

(52) **U.S. Cl.**
USPC **D6/362; D6/368**

(58) **Field of Classification Search**
USPC D6/334-336, 362, 368, 371, 372, 373,
D6/374, 379, 380, 716, 716.1, 716.2,
D6/716.4
CPC A47C 1/16; A47C 1/121; A47C 1/146;
A47C 3/16; A47C 7/021; A47C 4/045;
A47C 4/283; A47C 4/30

See application file for complete search history.

(56) **References Cited**

U.S. PATENT DOCUMENTS

D121,266 S *	7/1940	Archer	D6/368
3,560,047 A *	2/1971	Davis	A47C 1/16 297/188.08
4,715,652 A *	12/1987	Ward	A47C 1/16 297/188.11
5,421,637 A *	6/1995	Lemburg	A47C 7/021 297/129
6,352,306 B1 *	3/2002	Dreiling	A47C 1/16 297/252

D494,770 S *	8/2004	Hillard	D6/368
6,848,746 B2 *	2/2005	Gentry	A47C 7/021 297/380
7,316,452 B2 *	1/2008	Vestweber	A47C 1/16 297/252
D610,821 S *	3/2010	Dreiling	D6/362
D634,951 S *	3/2011	Dreiling	D6/362
D771,400 S *	11/2016	DoVale	D6/368
D773,841 S *	12/2016	Lyles	D6/362
D814,820 S *	4/2018	Meoli, Jr.	D6/368

* cited by examiner

Primary Examiner — Mimoso De

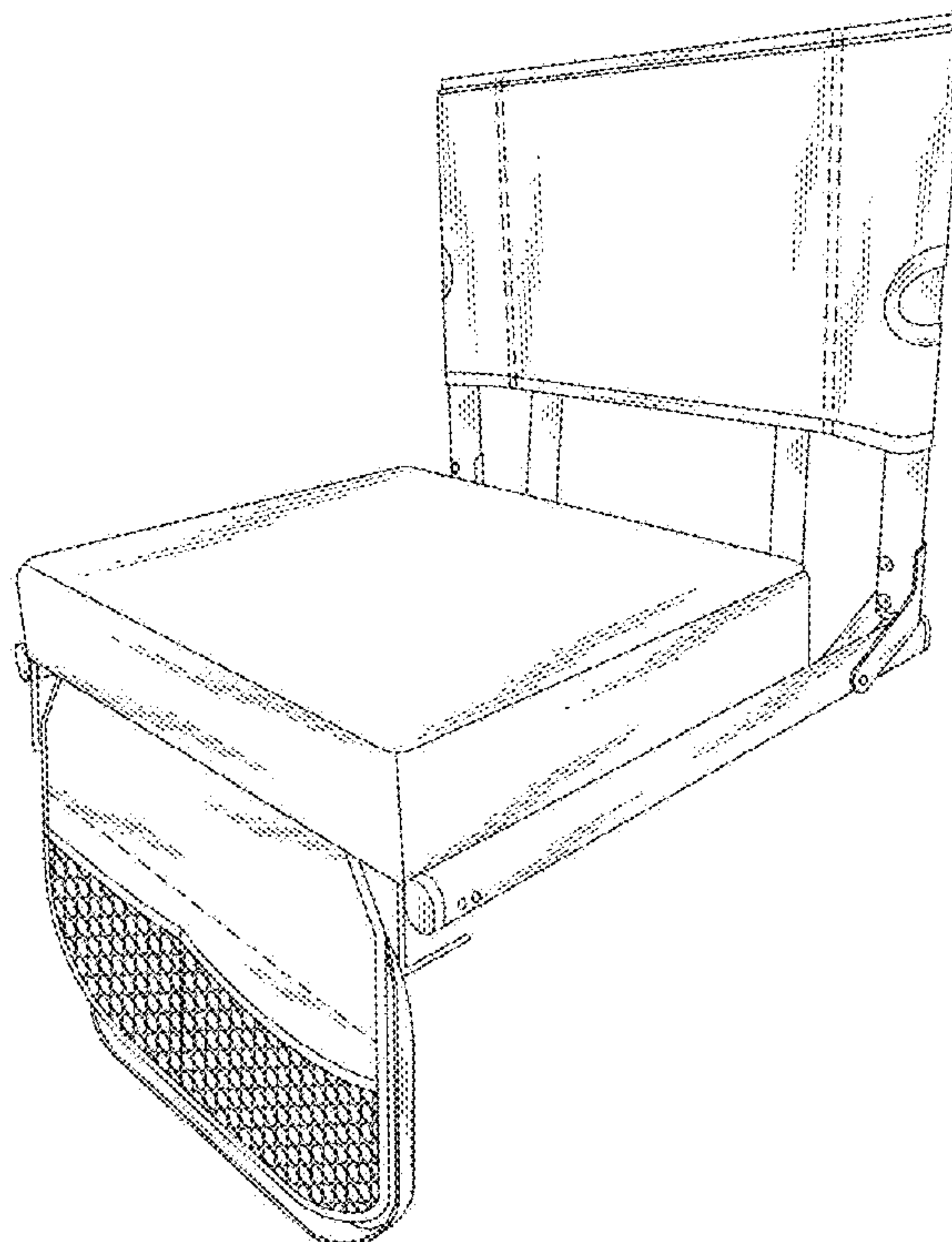
(57) **CLAIM**

The ornamental design for a folding easy carry stadium seat for bleachers, as shown and described.

DESCRIPTION

FIG. 1 is a front elevational view of a folding easy carry stadium seat for bleachers showing my new design; FIG. 2 is a rear elevational view thereof; FIG. 3 is a left side elevational view thereof; FIG. 4 is a right side elevational view thereof; FIG. 5 is a top plan view thereof; FIG. 6 is a bottom plan view thereof; and, FIG. 7 is a perspective view thereof. The broken lines shown in drawings are for the purpose of illustrating stitching on the folding easy carry stadium seat for bleachers and form part of the claimed design.

1 Claim, 7 Drawing Sheets



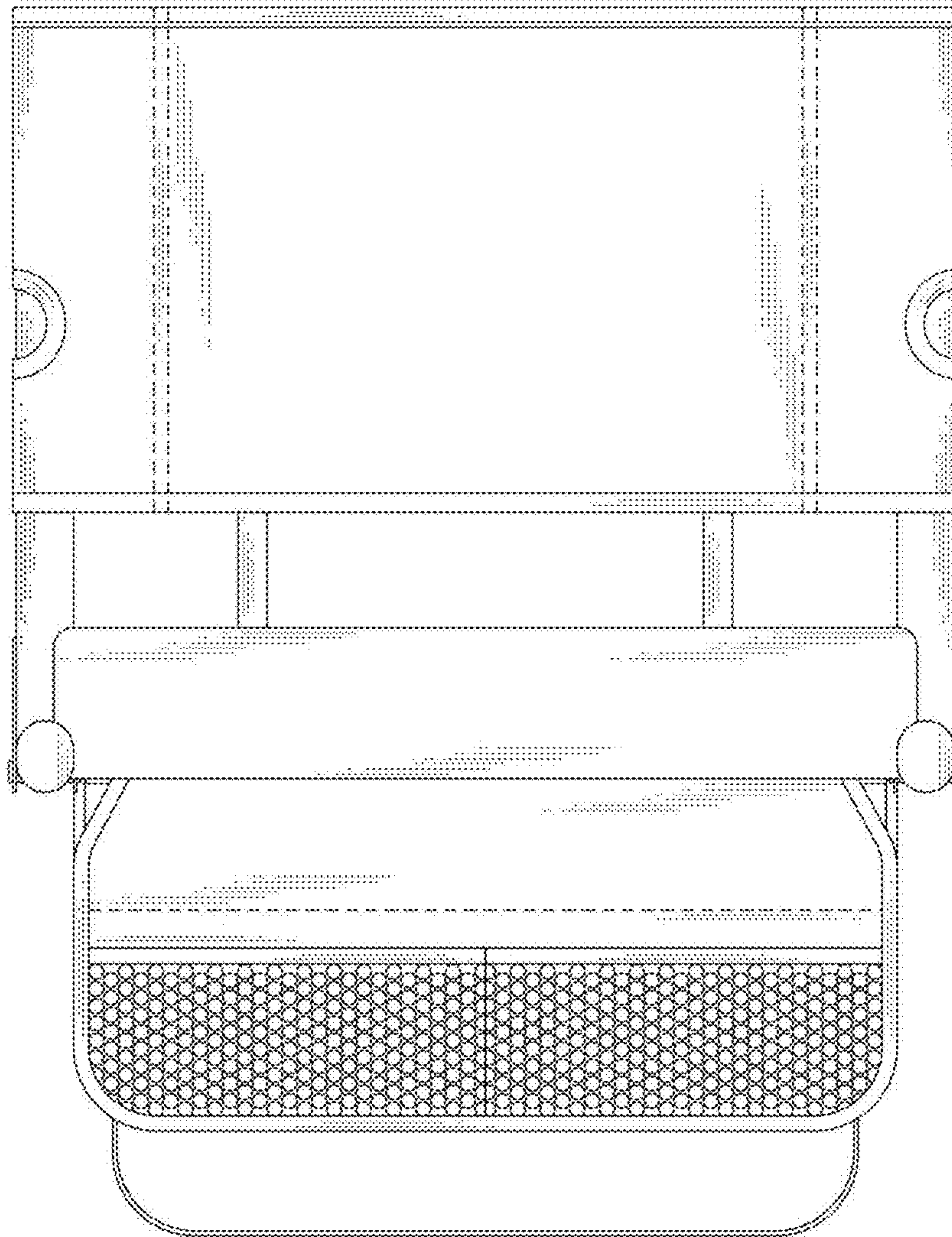


FIG.1

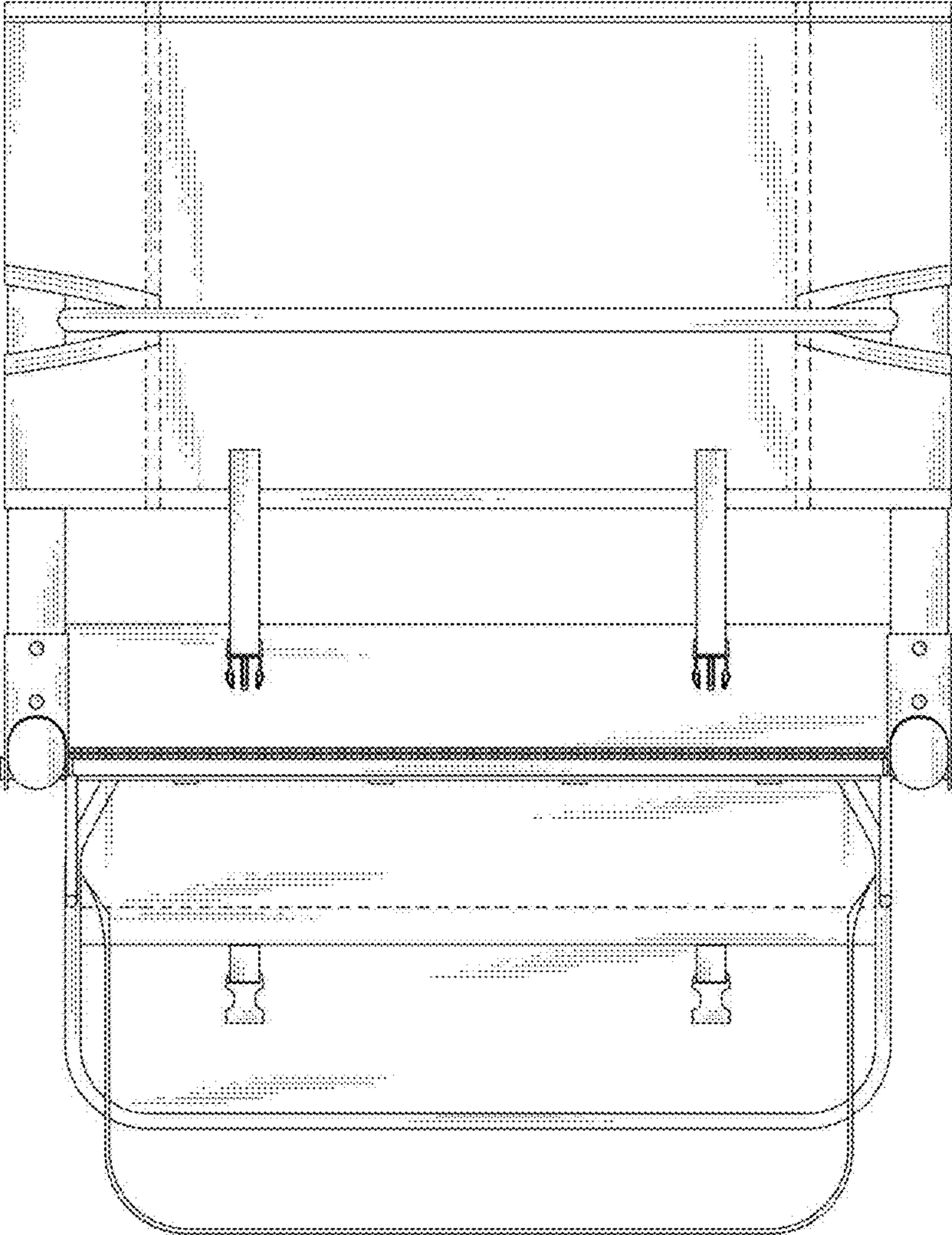


FIG.2

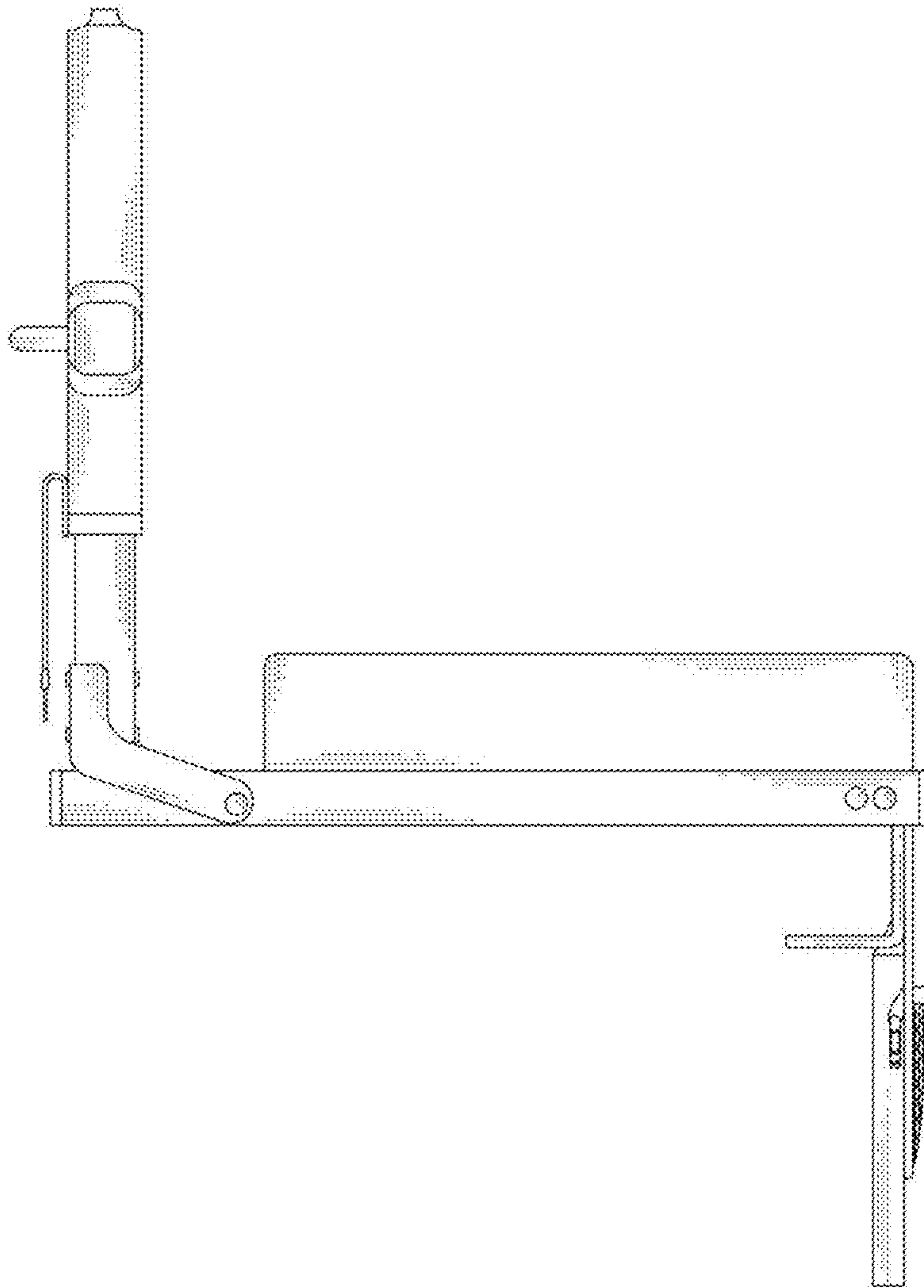


FIG.3

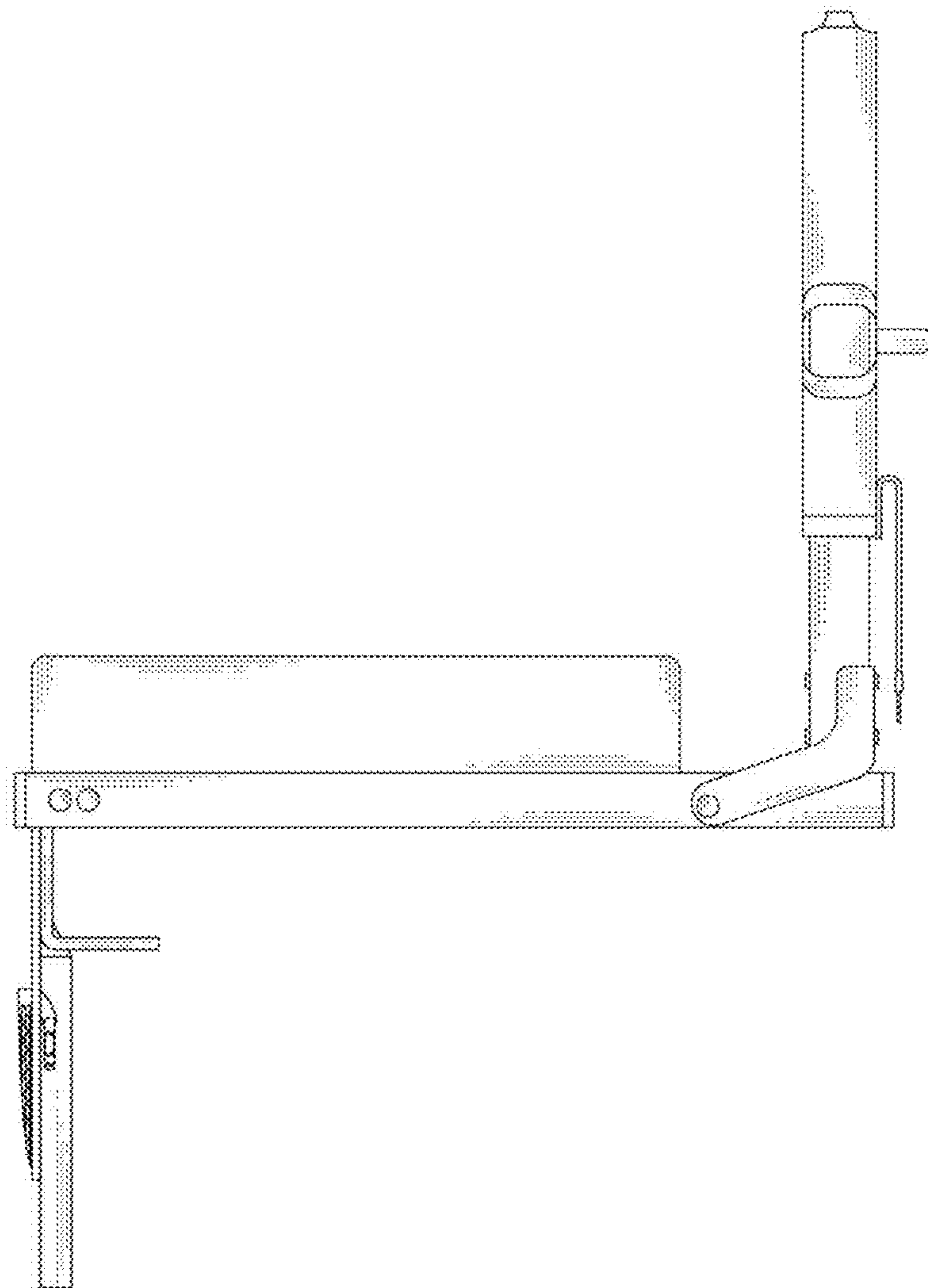


FIG.4

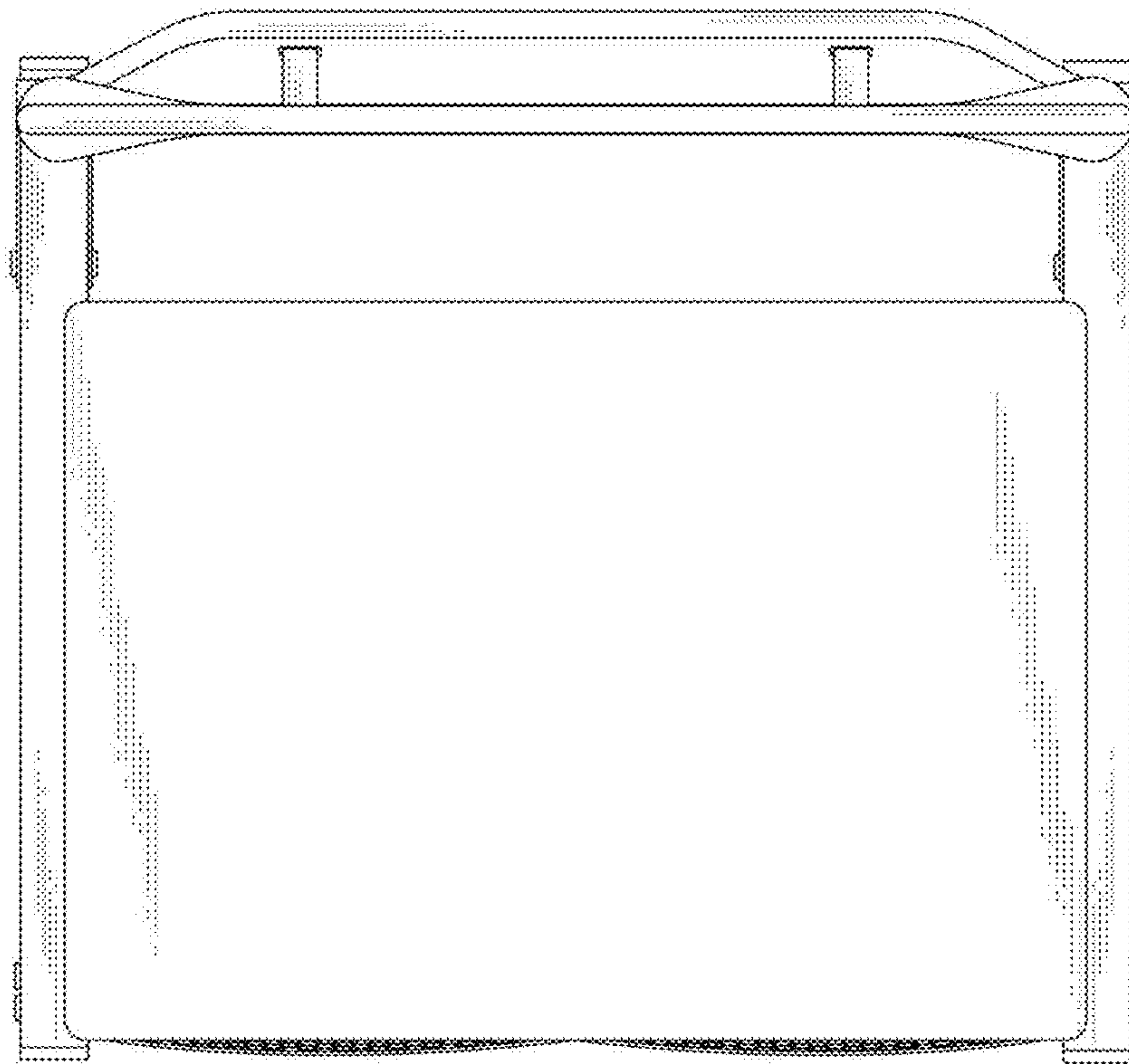


FIG.5

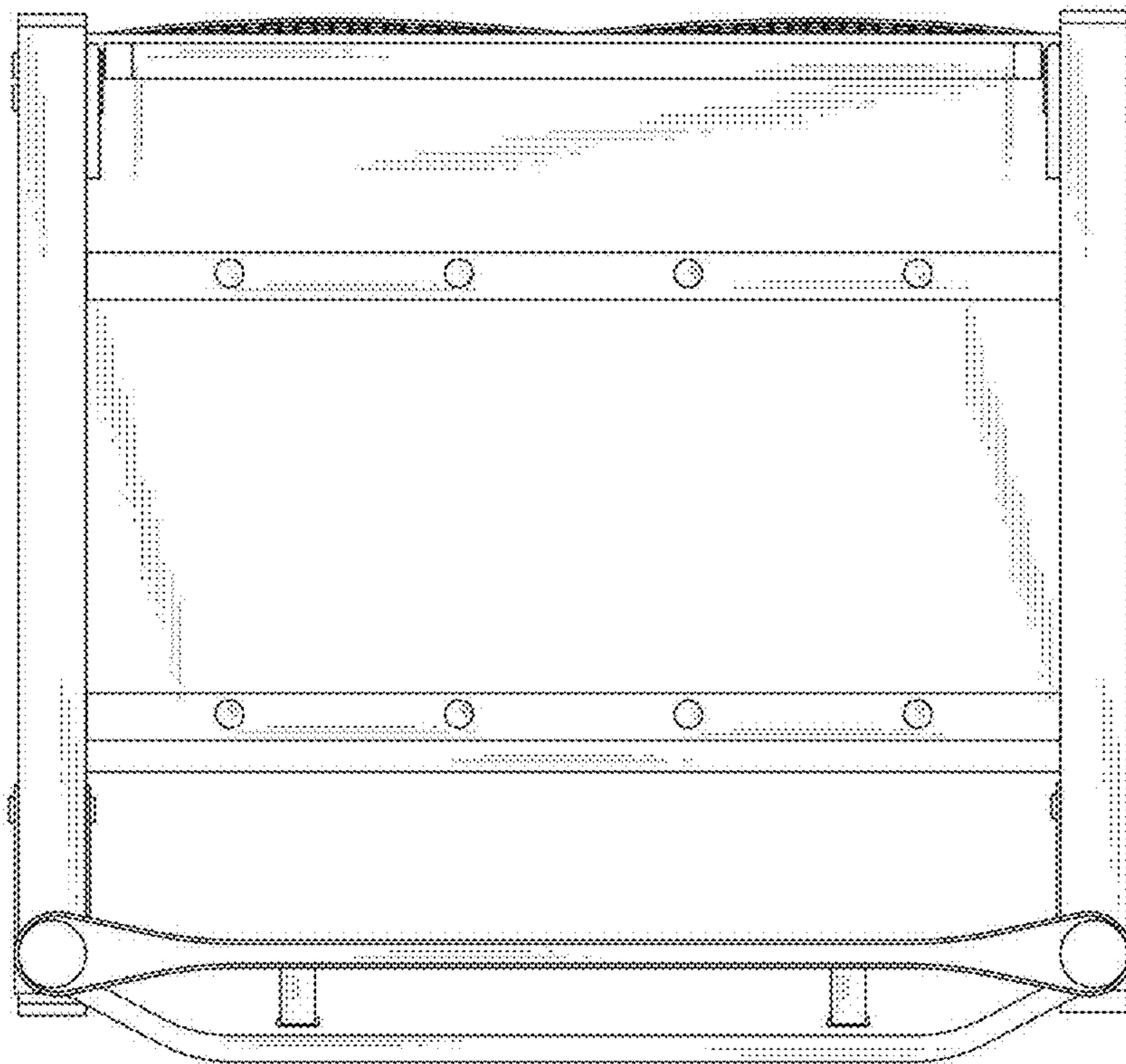


FIG.6

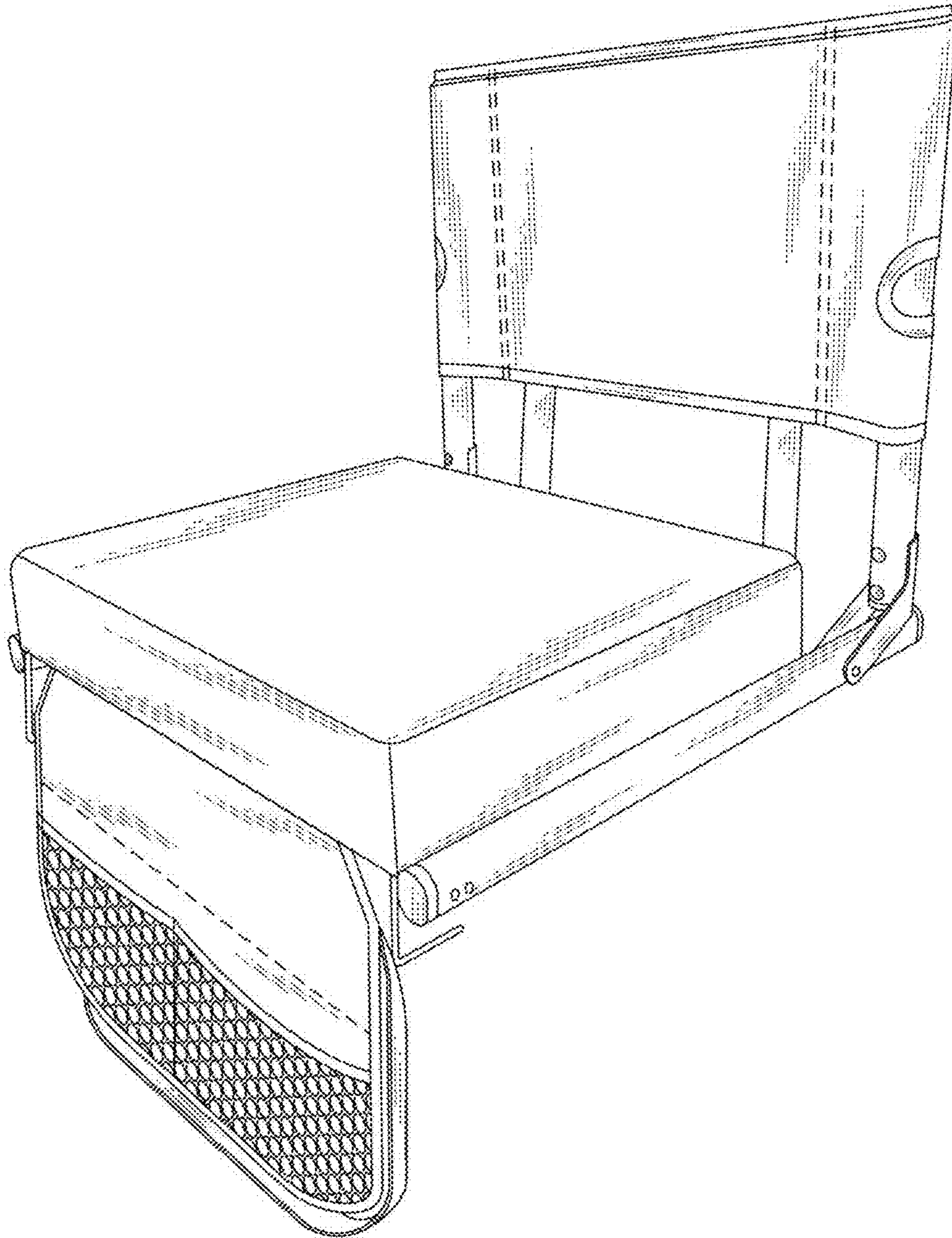


FIG. 7