



US00D891132S

(12) **United States Design Patent**
Conn et al.

(10) **Patent No.:** **US D891,132 S**
(45) **Date of Patent:** **** Jul. 28, 2020**

(54) **STREET FURNITURE SET**

(71) Applicant: **VESTRE AS**, Oslo (NO)

(72) Inventors: **Ashley Conn**, Trollåsen (NO); **Johan Verde**, Oslo (NO); **Hong Ngo-Aandal**, Oslo (NO)

(73) Assignee: **VESTRE AS**, Oslo (NO)

(**) Term: **15 Years**

(21) Appl. No.: **29/657,482**

(22) Filed: **Jul. 23, 2018**

(51) **LOC (12) Cl.** **06-01**

(52) **U.S. Cl.**
USPC **D6/337**

(58) **Field of Classification Search**
USPC D6/329, 334–338; D25/35, 39
CPC A47C 1/031; A47B 83/00; A47B 83/02;
A47B 83/04; A47B 39/00; A47B 3/06
See application file for complete search history.

(56) **References Cited**

U.S. PATENT DOCUMENTS

4,647,107	A *	3/1987	Hoover	A47B 83/02 297/124
8,550,547	B1 *	10/2013	Liu	A47C 7/70 297/121
D694,912	S *	12/2013	Eckert et al.	D25/35
8,740,299	B1 *	6/2014	Hall	A47B 3/14 297/158.5
9,243,396	B2 *	1/2016	Klassen	E04B 1/003
9,282,818	B2 *	3/2016	Sock	A47B 83/04

D815,441	S *	4/2018	Hiyoshi	D6/337
D854,839	S *	7/2019	Hiyoshi	D6/337
2009/0249983	A1 *	10/2009	He	A47B 83/02 108/50.11
2016/0007746	A1 *	1/2016	Sock	A47B 83/04 297/163

OTHER PUBLICATIONS

Parklet, “Victoria mini-park to be built in parking spots of Fort Street” Bill Cleverley, Times Colonist, May 12, 2015, available online at <https://www.timescolonist.com/news/local/victoria-mini-park-to-be-built-in-parking-spots-on-fort-street-1.1933105> (Year: 2015).*

* cited by examiner

Primary Examiner — Cathron C Brooks

(74) *Attorney, Agent, or Firm* — Kolisch Hartwell, P.C.

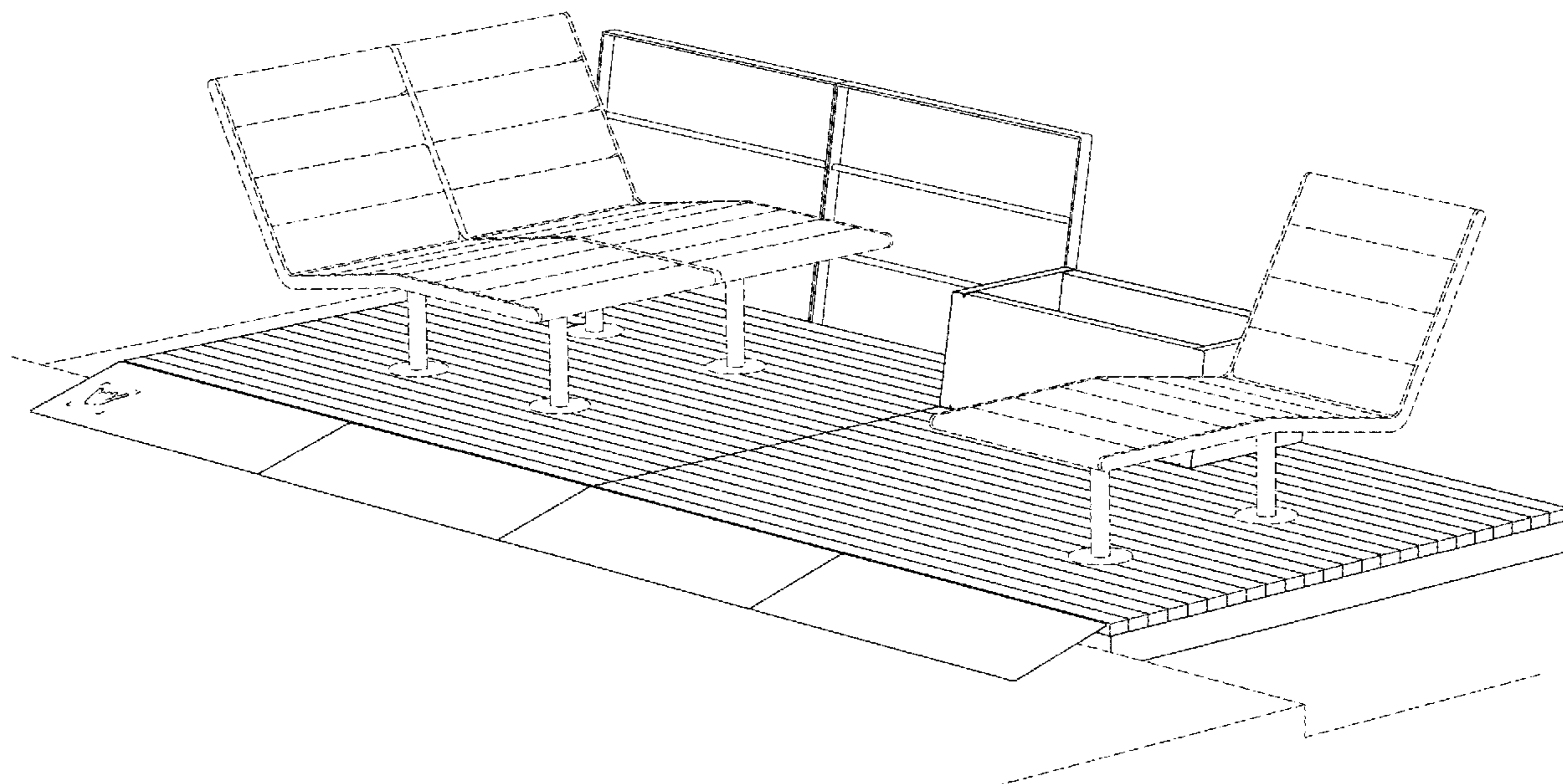
(57) **CLAIM**

The ornamental design for a street furniture set, as shown and described.

DESCRIPTION

FIG. 1 is an upper, front, right perspective view of a street furniture set showing the new design;
FIG. 2 is an upper, rear, left perspective view thereof;
FIG. 3 is a front elevation view thereof;
FIG. 4 is a rear elevation view thereof;
FIG. 5 is a right side elevation view thereof;
FIG. 6 is a left side elevation view thereof; and,
FIG. 7 is a top plan view thereof.
The dashed lines and structures they depict form no part of the claimed design.

1 Claim, 6 Drawing Sheets



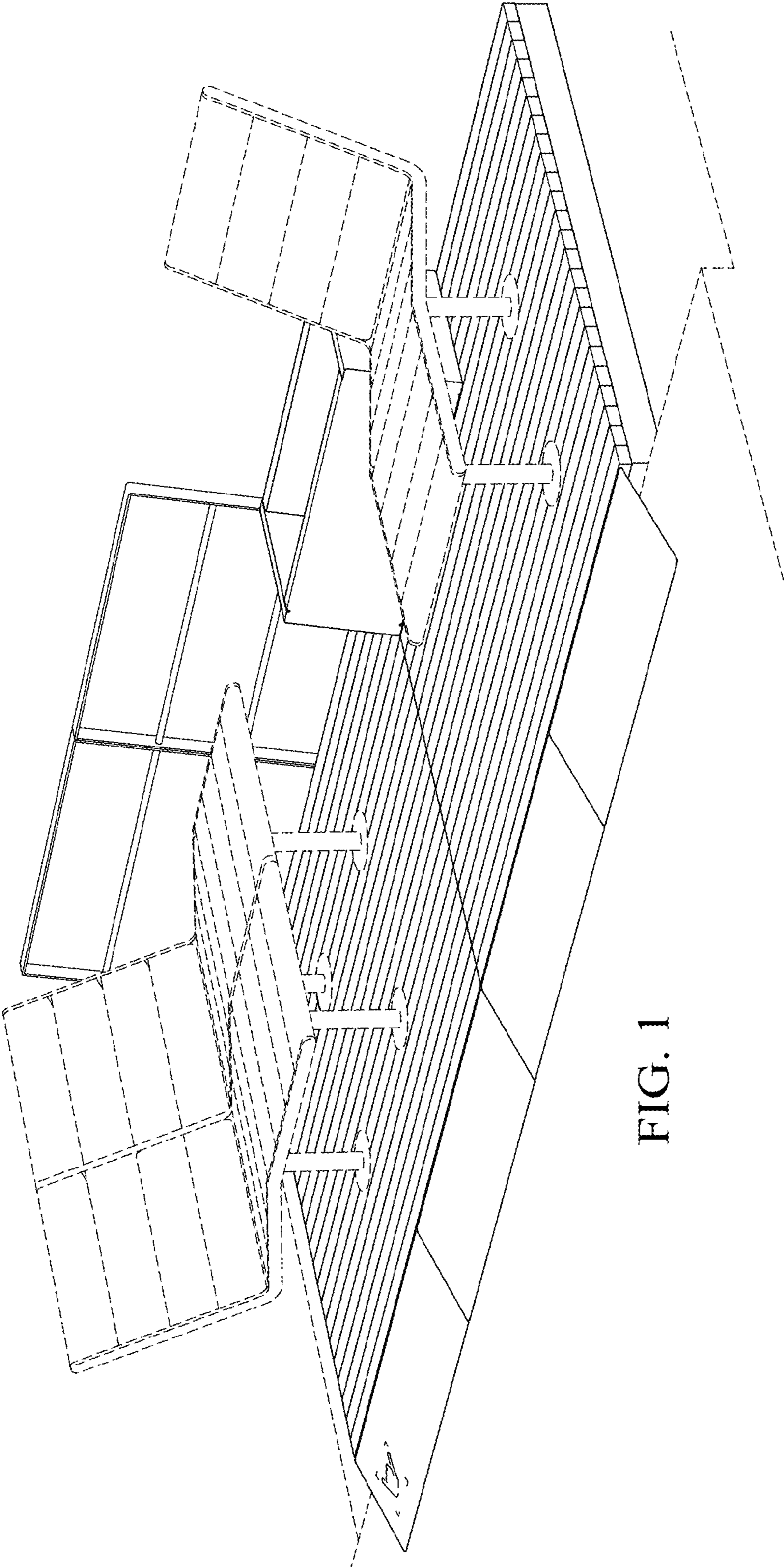


FIG. 1

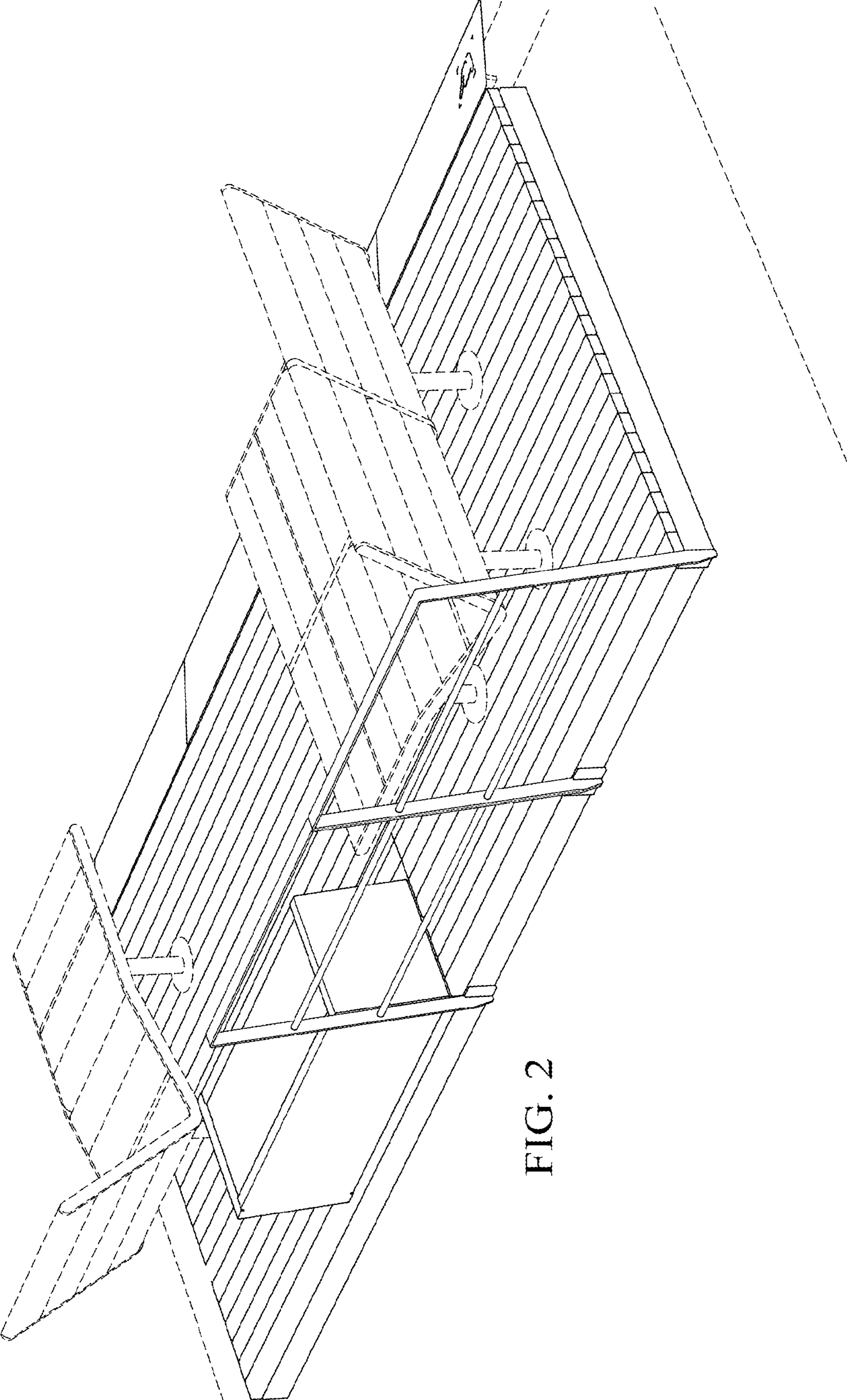


FIG. 2

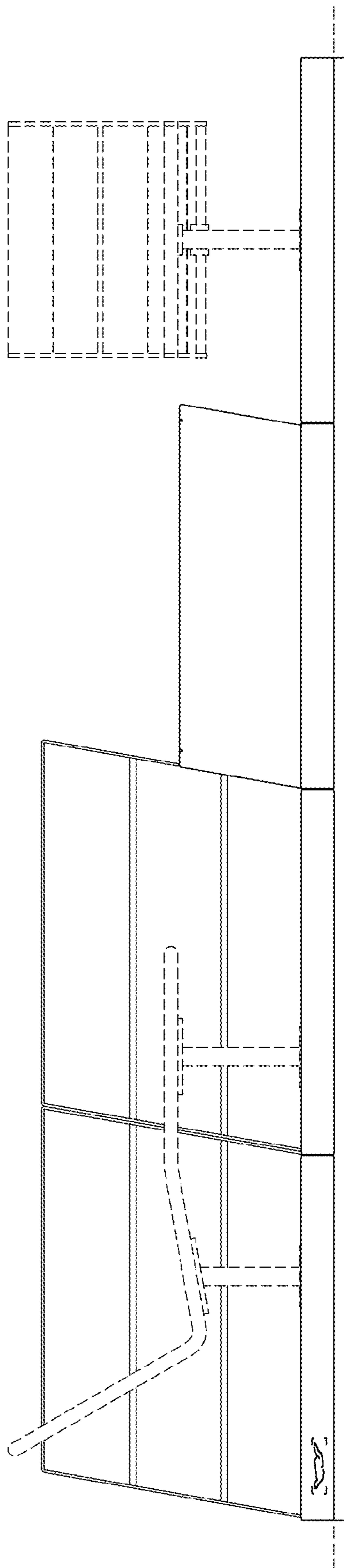


FIG. 3

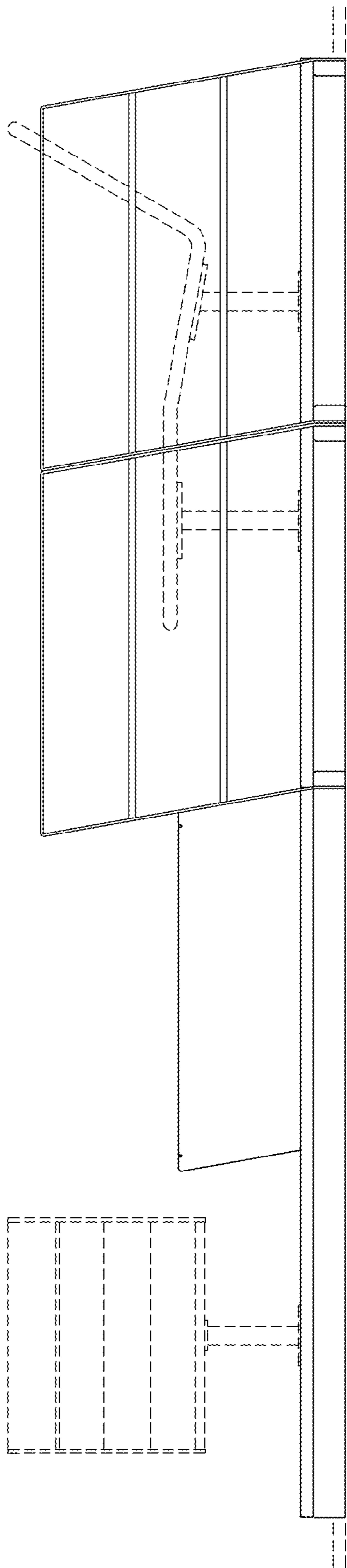


FIG. 4

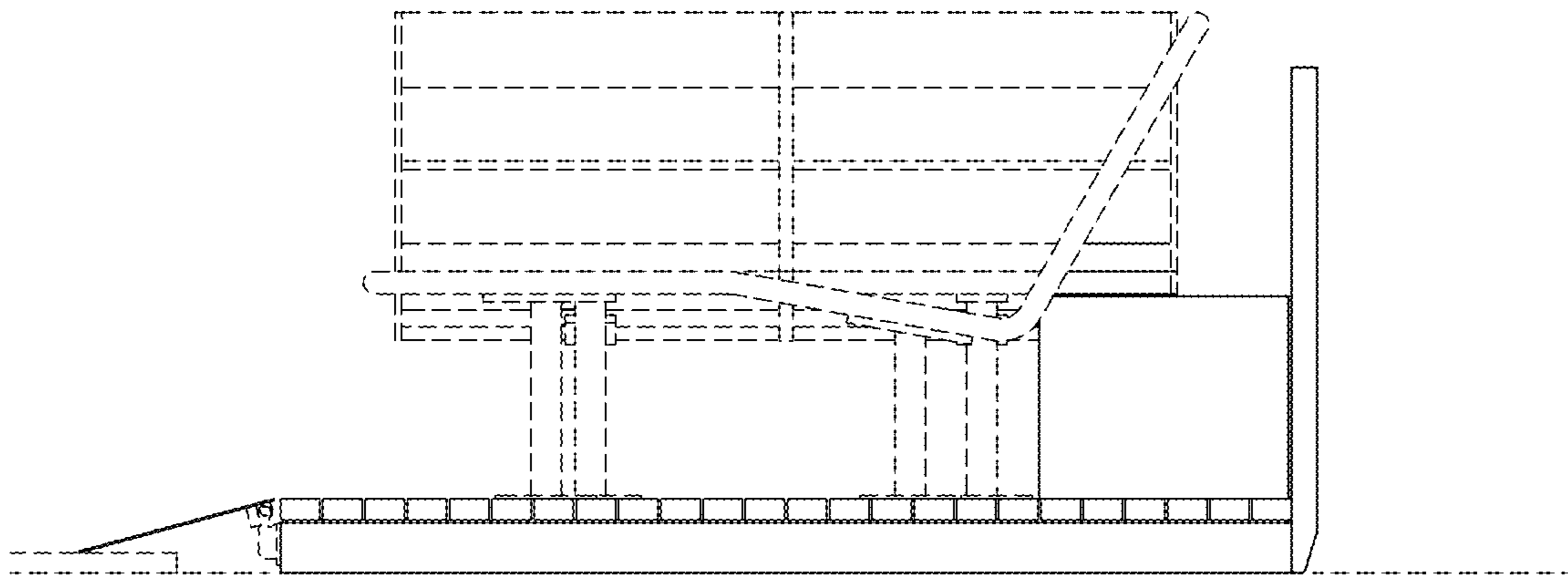


FIG. 5

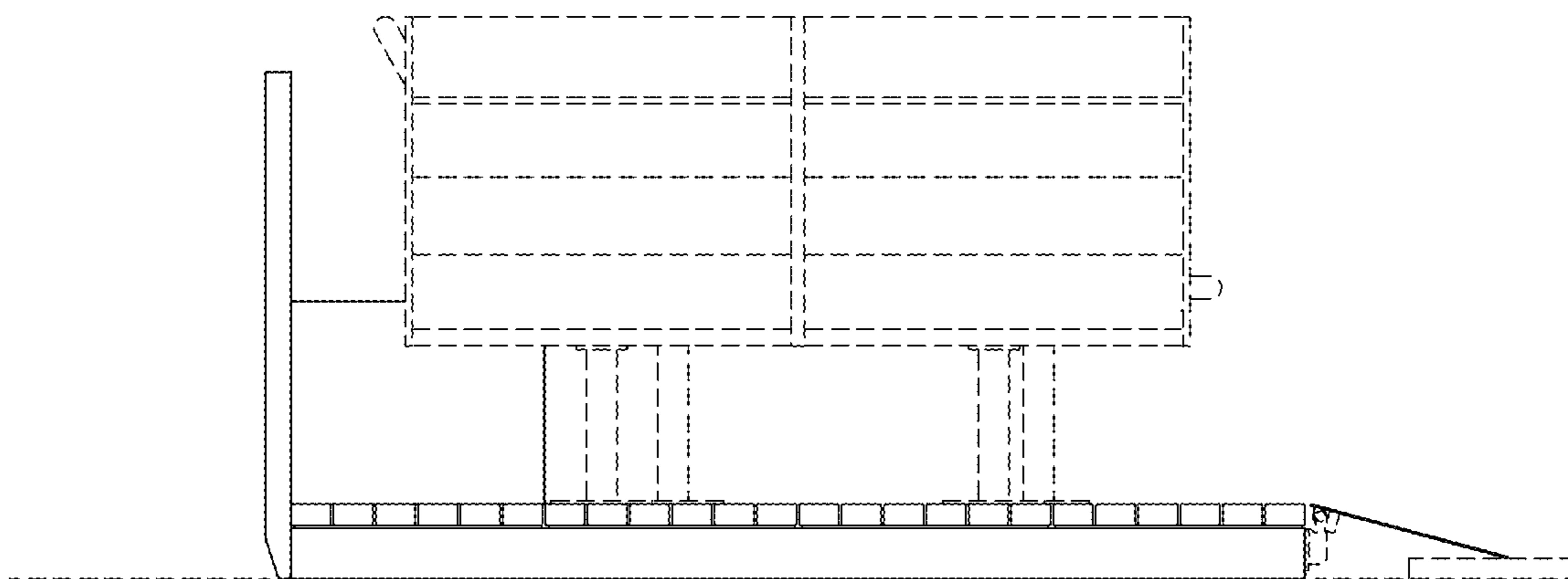


FIG. 6

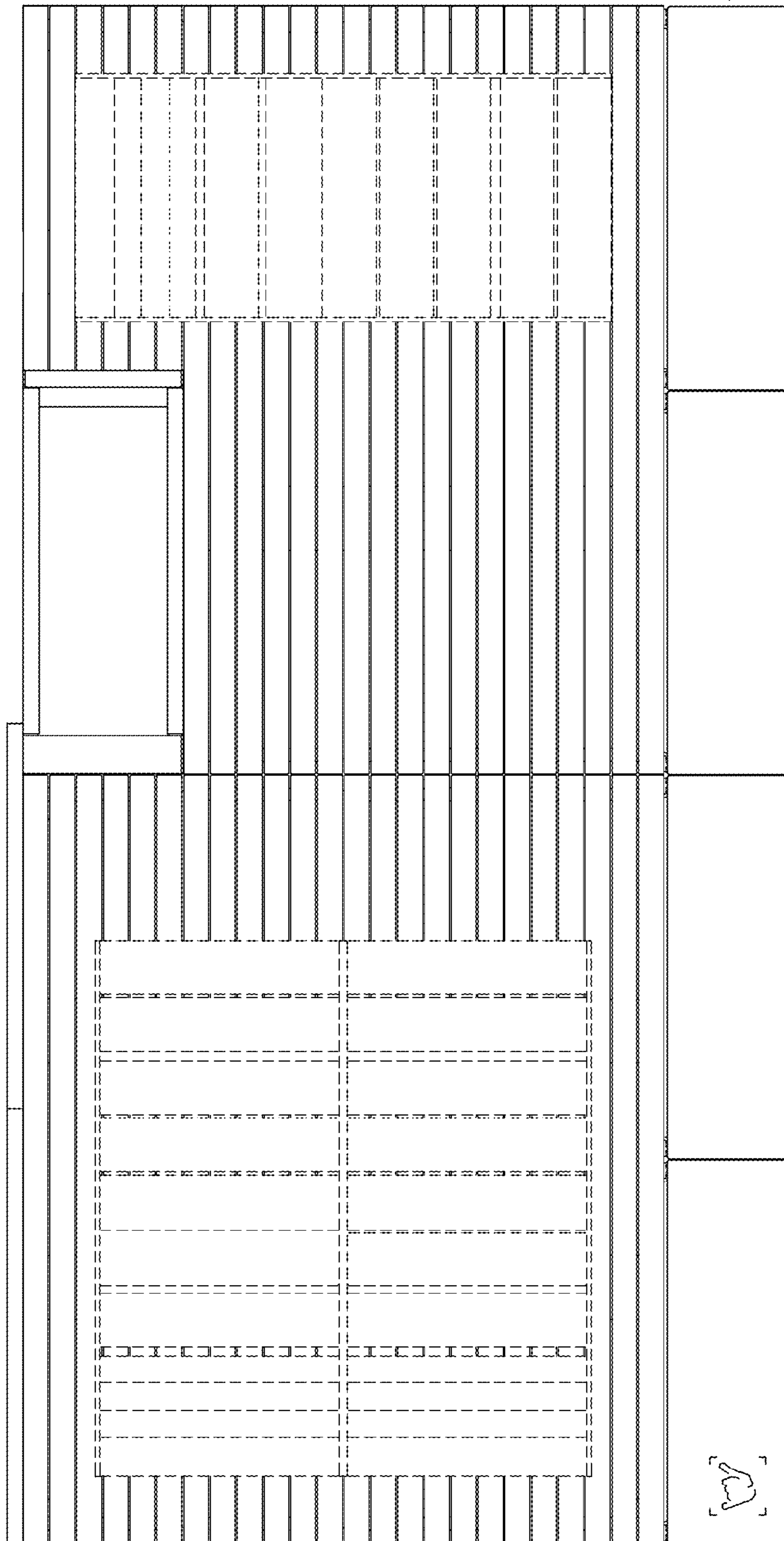


FIG. 7