



US00D891129S

(12) **United States Design Patent**
Kanthasamy

(10) **Patent No.:** **US D891,129 S**
(45) **Date of Patent:** **** Jul. 28, 2020**

- (54) **DROP BACK SOFA BED**
- (71) Applicant: **Abedan Kanthasamy**, Mississauga (CA)
- (72) Inventor: **Abedan Kanthasamy**, Mississauga (CA)
- (**) Term: **15 Years**
- (21) Appl. No.: **29/695,736**
- (22) Filed: **Jun. 21, 2019**

(30) **Foreign Application Priority Data**

- Jun. 10, 2019 (CA) 187959
- (51) **LOC (12) Cl.** **06-01**
- (52) **U.S. Cl.**
USPC **D6/335; D6/381**
- (58) **Field of Classification Search**
USPC D6/334, 335, 374, 375, 377, 381
CPC A47C 17/00; A47C 17/02; A47C 17/04;
A47C 17/045; A47C 17/13; A47C
17/132; A47C 17/134; A47C 17/16; A47C
17/17; A47C 17/162; A47C 17/18; A47C
17/86

See application file for complete search history.

(56) **References Cited**

U.S. PATENT DOCUMENTS

- 2,111,415 A * 3/1938 Arton A47C 17/16
5/44.1
- D179,829 S * 3/1957 Wilson D6/377
- D446,962 S * 8/2001 Mourgue D6/335
- D498,075 S * 11/2004 Mourgue D6/335
- D603,618 S * 11/2009 Weiss D6/381

- D623,869 S * 9/2010 Andersen D6/381
- D649,367 S * 11/2011 Andersen D6/335
- D675,460 S * 2/2013 Kanthasamy D6/381
- 8,893,322 B2 * 11/2014 Kanthasamy A47C 17/162
5/12.1
- D718,552 S * 12/2014 Kanthasamy D6/381
- D719,755 S * 12/2014 Kanthasamy D6/381
- D829,452 S * 10/2018 Kanthasamy D6/335
- D874,837 S * 2/2020 Andersen D6/335
- 2011/0016626 A1 * 1/2011 Kanthasamy A47C 17/16
5/37.1
- 2012/0042448 A1 * 2/2012 Kanthasamy A47C 17/17
5/37.1
- 2012/0297535 A1 * 11/2012 Kanthasamy A47C 20/043
5/12.1

* cited by examiner

Primary Examiner — Cathron C Brooks

(74) *Attorney, Agent, or Firm* — Harness, Dickey & Pierce, P.L.C.

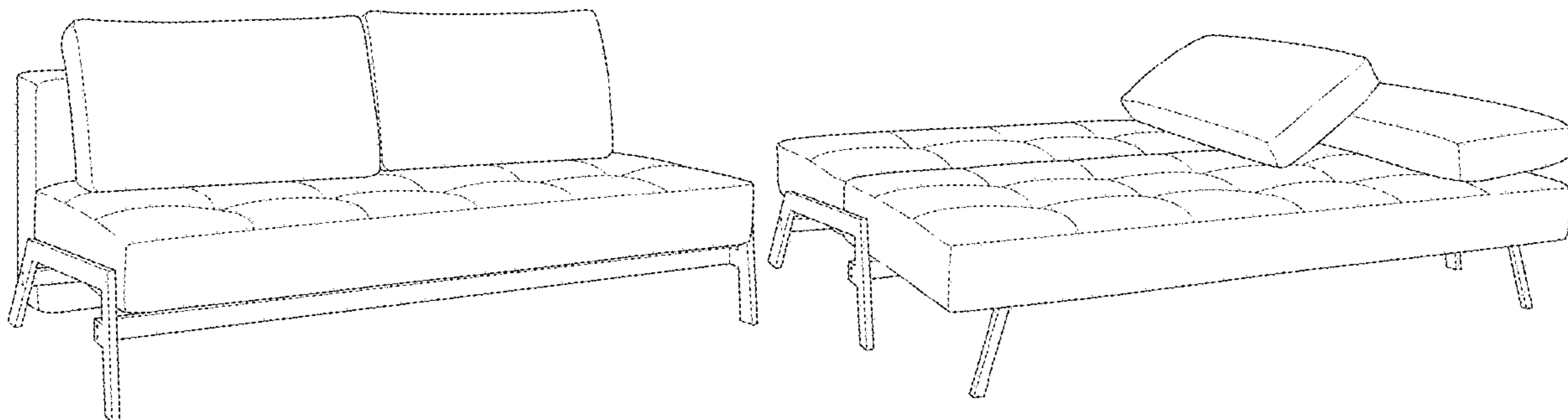
(57) **CLAIM**

The ornamental design for a drop back sofa bed, as shown and described.

DESCRIPTION

FIG. 1 is a front view of the drop back sofa bed in a first position;
 FIG. 2 is a front, right side, perspective view of the drop back sofa bed in the first position;
 FIG. 3 is a back, right side, perspective view of the drop back sofa bed in the first position;
 FIG. 4 is a right side view of the drop back sofa bed in the first position; and,
 FIG. 5 is a front, right side, perspective view of the drop back sofa bed in a second position.

1 Claim, 5 Drawing Sheets



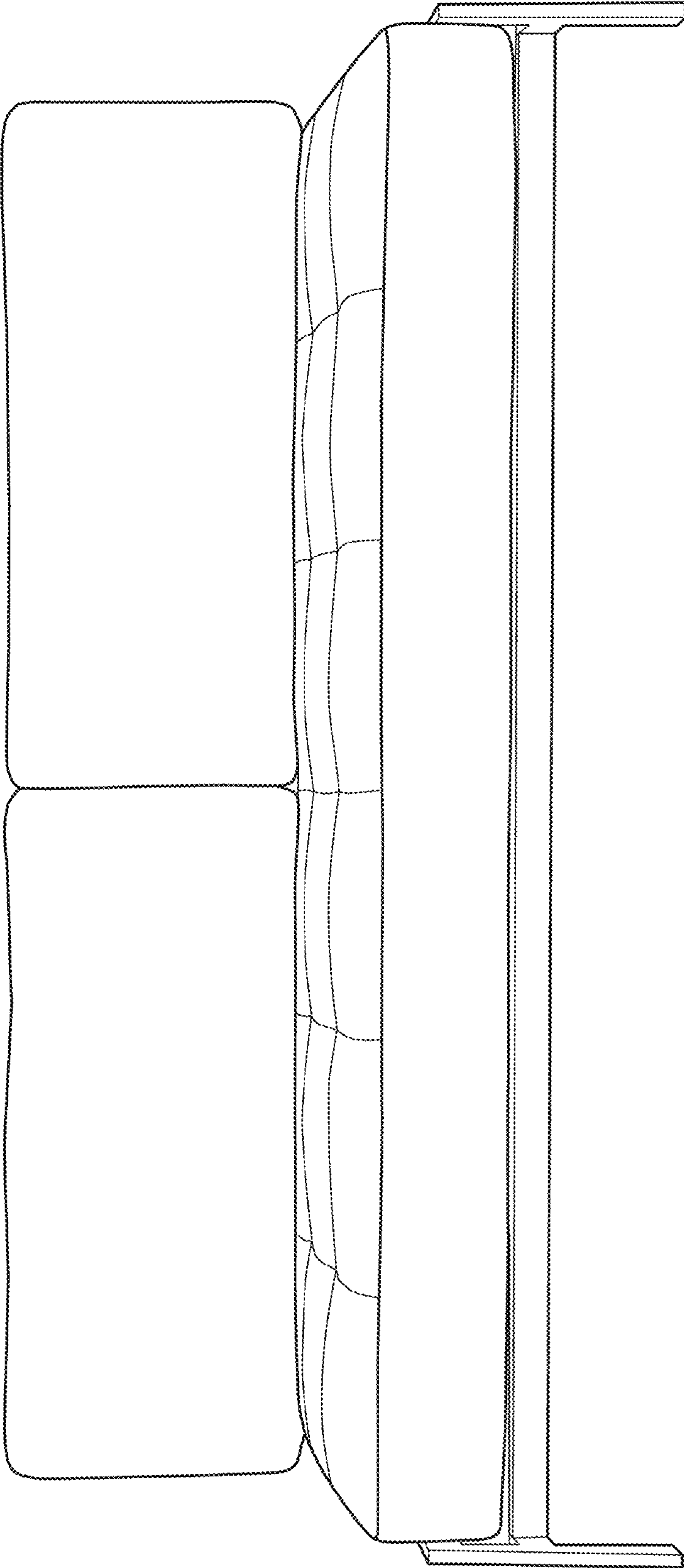


FIG. 1

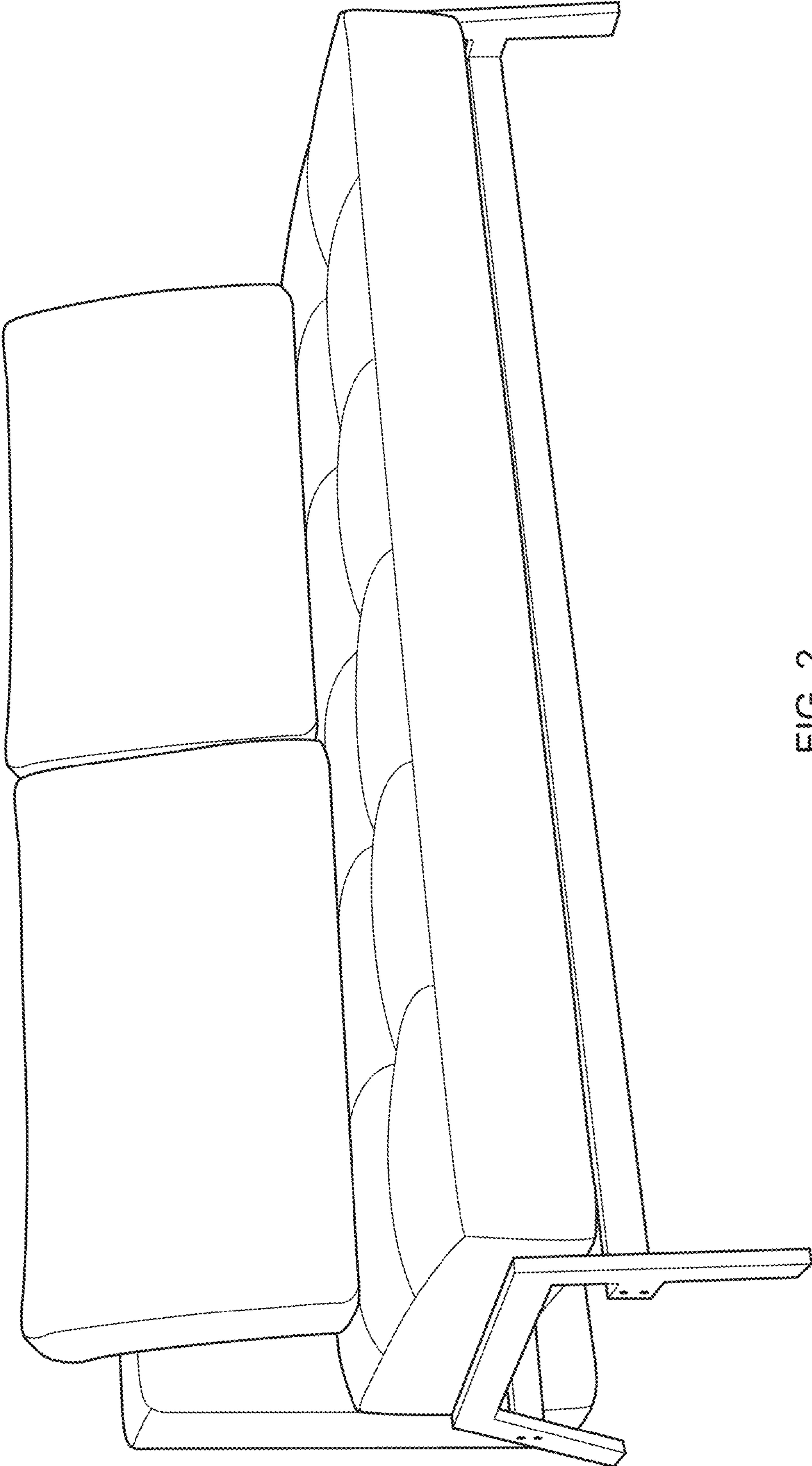


FIG. 2

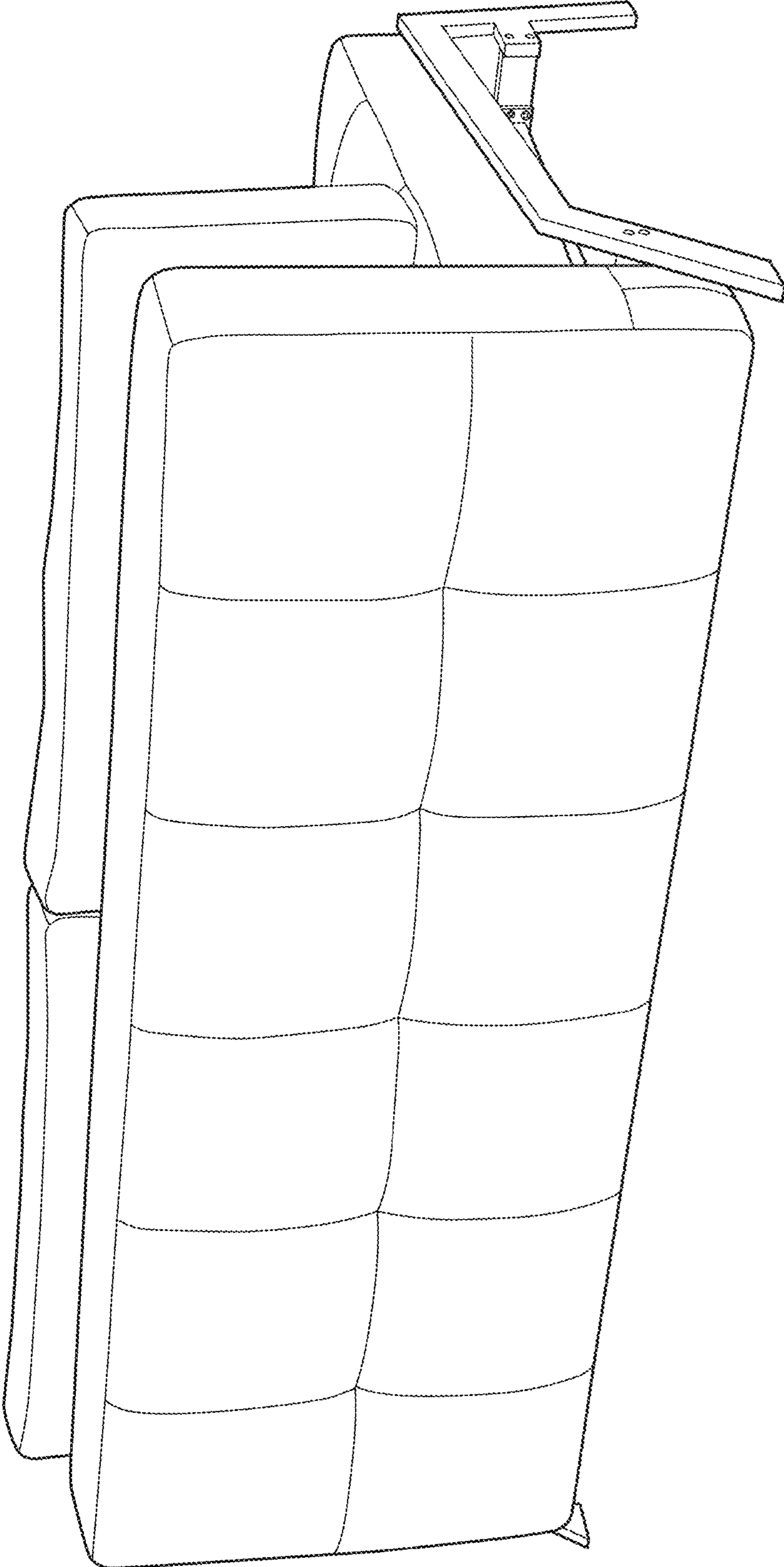


FIG. 3

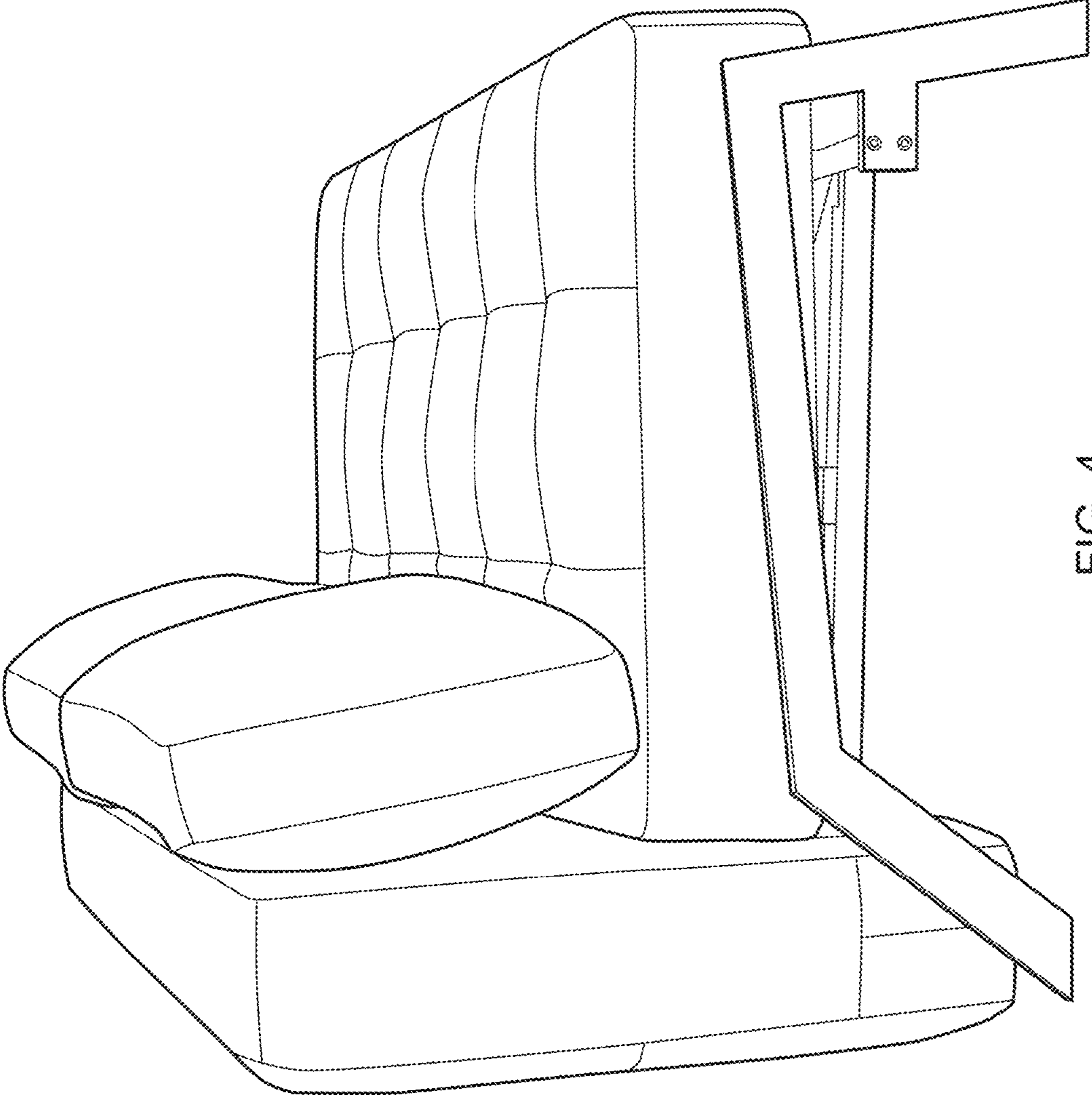


FIG. 4

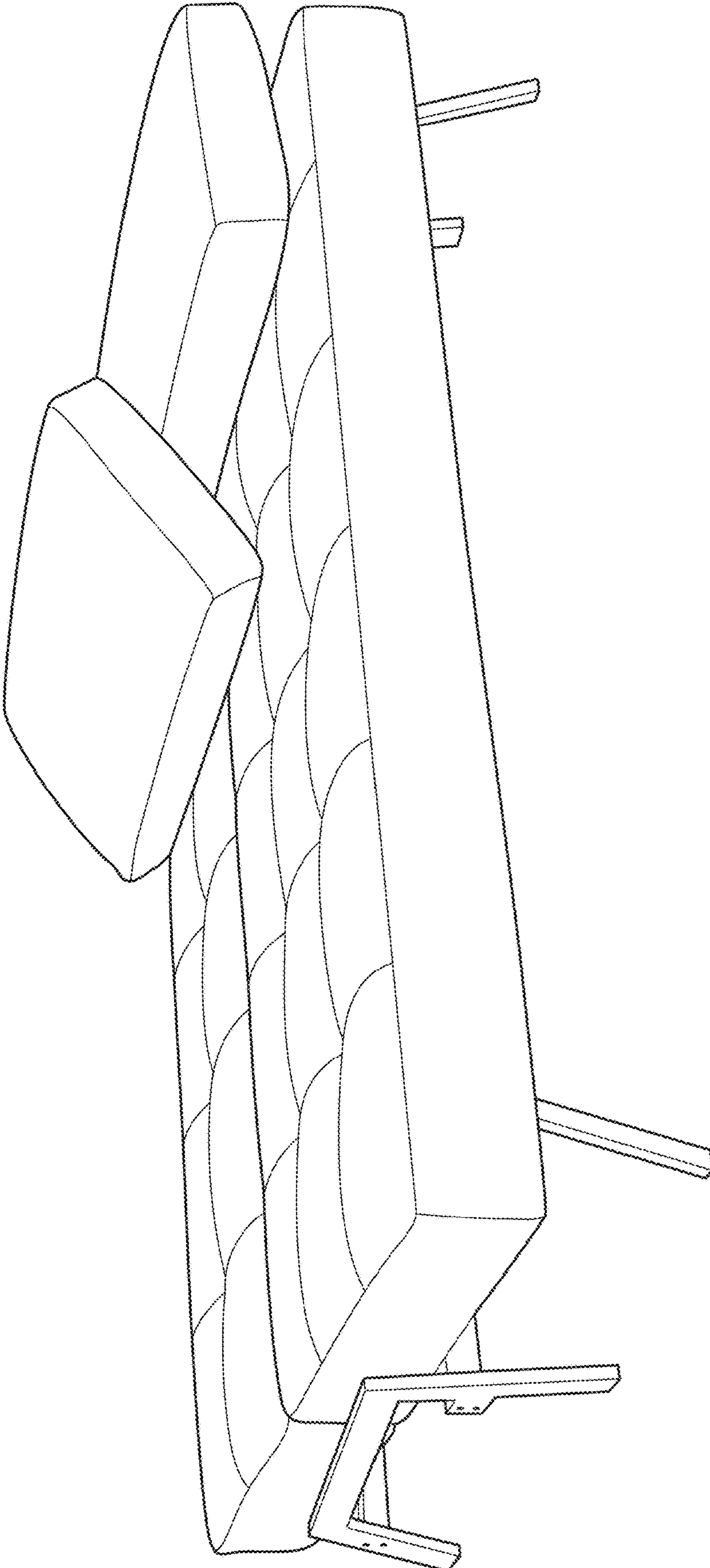


FIG. 5