



US00D891128S

(12) **United States Design Patent**
Kanthasamy

(10) **Patent No.:** **US D891,128 S**

(45) **Date of Patent:** **** Jul. 28, 2020**

(54) **PILLOW TOP CONVERTIBLE SOFA WITH REVERSIBLE CHAISE**

(71) Applicant: **Abedan Kanthasamy**, Mississauga (CA)

(72) Inventor: **Abedan Kanthasamy**, Mississauga (CA)

(**) Term: **15 Years**

(21) Appl. No.: **29/683,227**

(22) Filed: **Mar. 12, 2019**

(30) **Foreign Application Priority Data**

Jan. 7, 2019 (CA) 185525

(51) **LOC (12) Cl.** **06-01**

(52) **U.S. Cl.**
USPC **D6/335; D6/381**

(58) **Field of Classification Search**
USPC D6/334, 335, 374, 375, 377, 381
CPC A47C 17/00; A47C 17/02; A47C 17/04;
A47C 17/045; A47C 17/13; A47C 17/132; A47C 17/134; A47C 17/16; A47C 17/162; A47C 17/18; A47C 17/86
See application file for complete search history.

(56) **References Cited**

U.S. PATENT DOCUMENTS

D635,791 S *	4/2011	Kanthasamy	D6/381
D635,793 S *	4/2011	Kanthasamy	D6/381
D635,794 S *	4/2011	Kanthasamy	D6/381
D675,460 S *	2/2013	Kanthasamy	D6/381
D719,755 S *	12/2014	Kanthasamy	D6/381
D799,221 S *	10/2017	Pathiratne	D6/335
D799,222 S *	10/2017	Pathiratne	D6/335
D804,834 S *	12/2017	Kanthasamy	D6/335
D836,349 S *	12/2018	Kanthasamy	D6/335

(Continued)

OTHER PUBLICATIONS

Irvine Black Mesh Convertible Sofa, 8 Black Convertible Sleeper Sofas for Your Living Room, cutefurniture.com, Nov. 19, 2015, site visited Mar. 4, 2020, available online at <https://www.cute-furniture.com/living-room/8-black-convertible-sleeper-sofas-for-your-living-room/> (Year: 2015).*

Primary Examiner — Cathron C Brooks

(74) *Attorney, Agent, or Firm* — Harness, Dickey & Pierce, P.L.C.

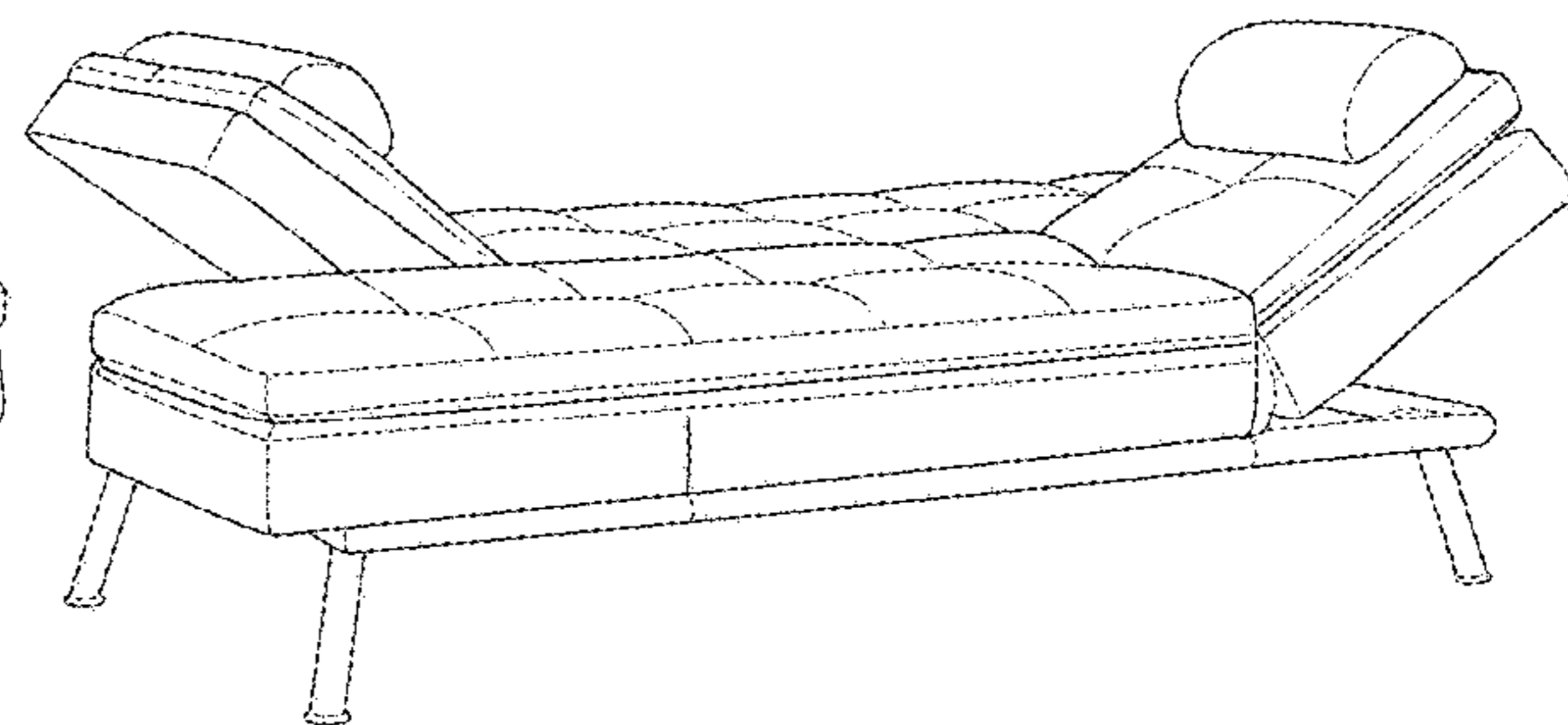
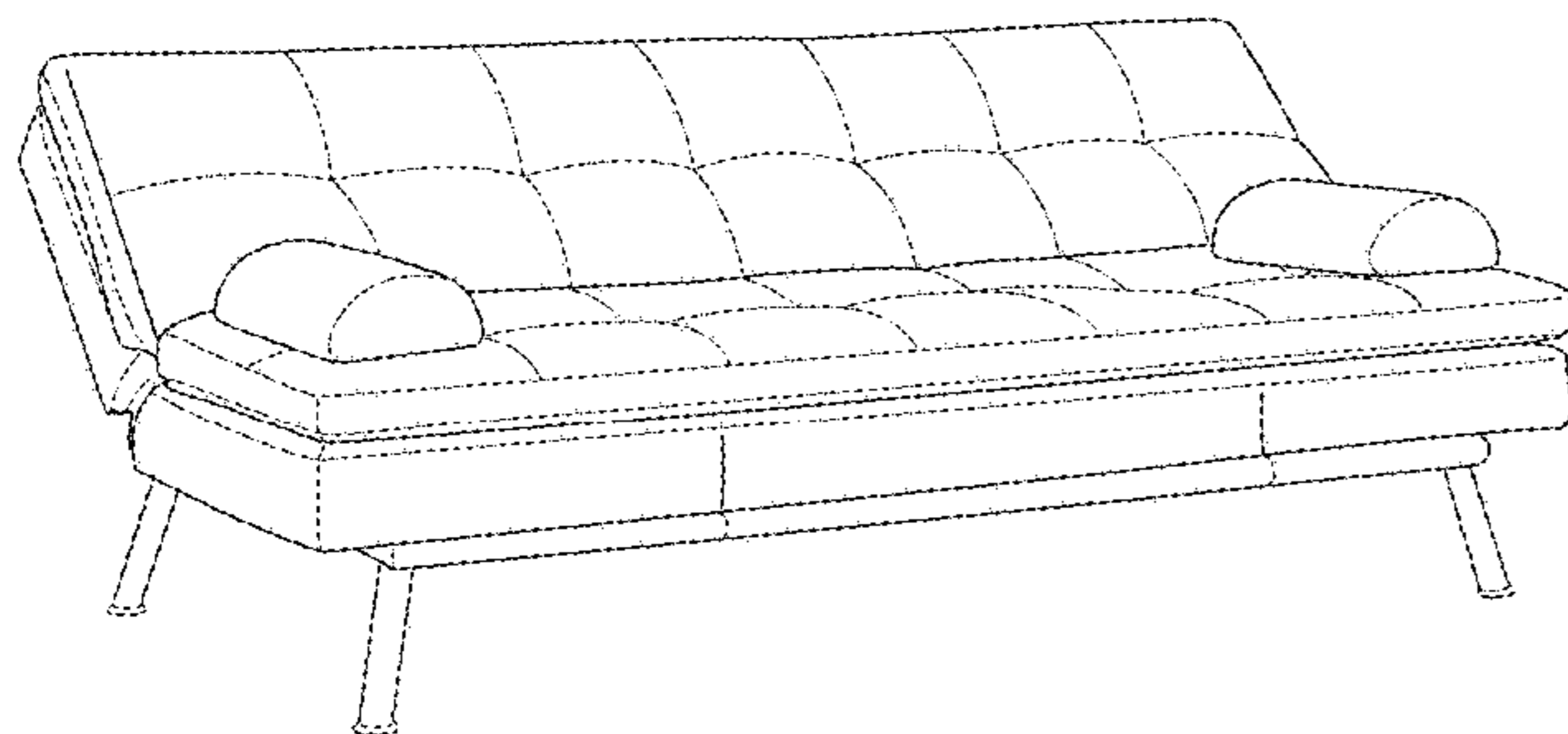
(57) **CLAIM**

The ornamental design for a pillow top convertible sofa with reversible chaise, as shown and described.

DESCRIPTION

FIG. 1 is a perspective view of the pillow top convertible sofa with reversible chaise in a first position; FIG. 2 is a perspective view of the pillow top convertible sofa with reversible chaise in a second position; FIG. 3 is a perspective view of the pillow top convertible sofa with reversible chaise in a third position; FIG. 4 is a perspective view of the pillow top convertible sofa with reversible chaise in a fourth position; FIG. 5 is a perspective view of the pillow top convertible sofa with reversible chaise in a fifth position; FIG. 6 is a perspective view of the pillow top convertible sofa with reversible chaise in a sixth position; FIG. 7 is a right side view of the pillow top convertible sofa with reversible chaise in the first position; FIG. 8 is a left side view of the pillow top convertible sofa with reversible chaise in the first position; FIG. 9 is a top view of the pillow top convertible sofa with reversible chaise in the first position; FIG. 10 is a bottom perspective view of the pillow top convertible sofa with reversible chaise in the third position; and, FIG. 11 is a back perspective view of the pillow top convertible sofa with reversible chaise in the first position.

1 Claim, 11 Drawing Sheets



(56)

References Cited

U.S. PATENT DOCUMENTS

D836,350 S * 12/2018 Kanthasamy D6/335
D836,926 S * 1/2019 Kanthasamy D6/335
D836,927 S * 1/2019 Kanthasamy D6/335
2011/0016626 A1* 1/2011 Kanthasamy A47C 17/16
5/37.1
2012/0297535 A1* 11/2012 Kanthasamy A47C 20/043
5/12.1
2018/0296001 A1* 10/2018 Tucker A47C 17/12

* cited by examiner

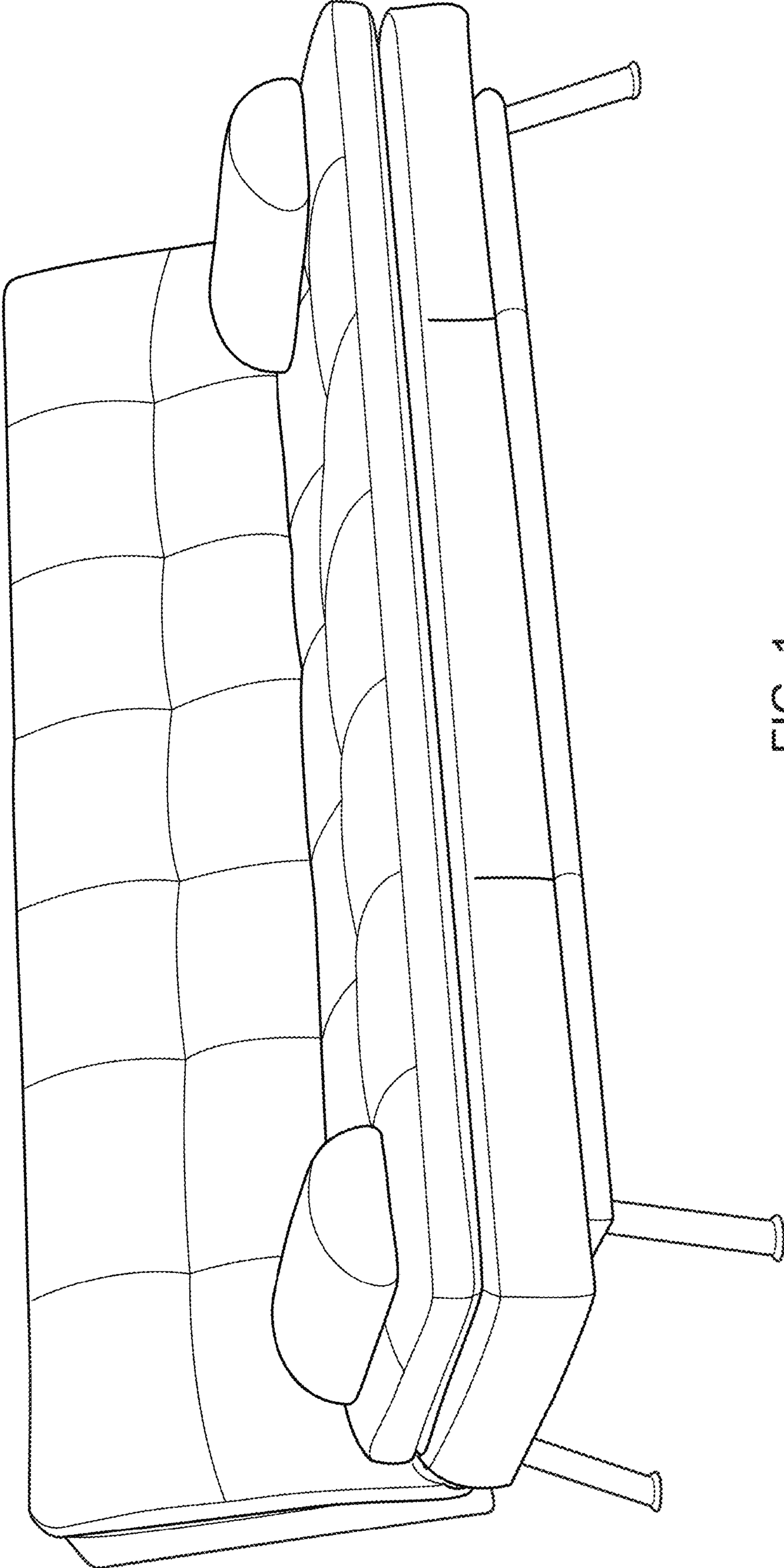


FIG. 1

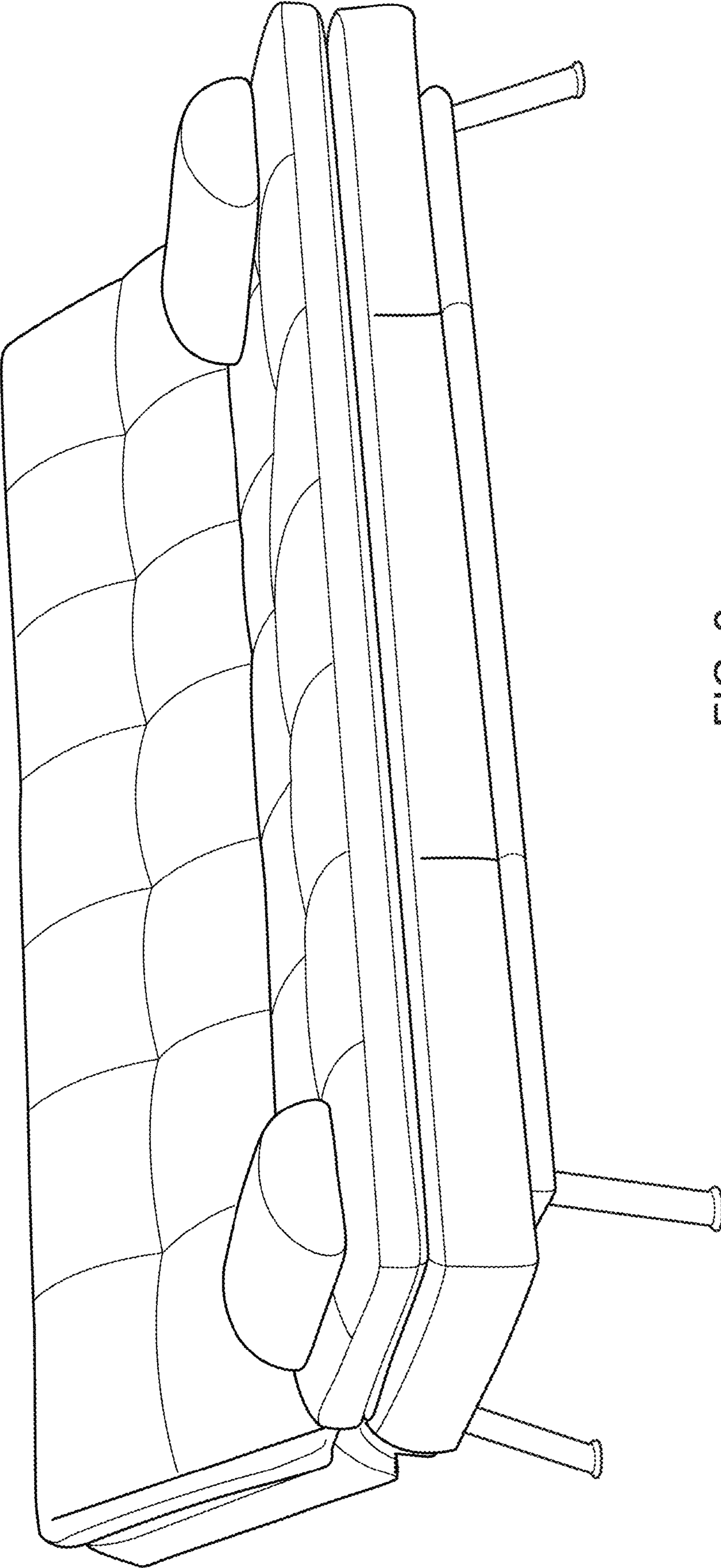


FIG. 2

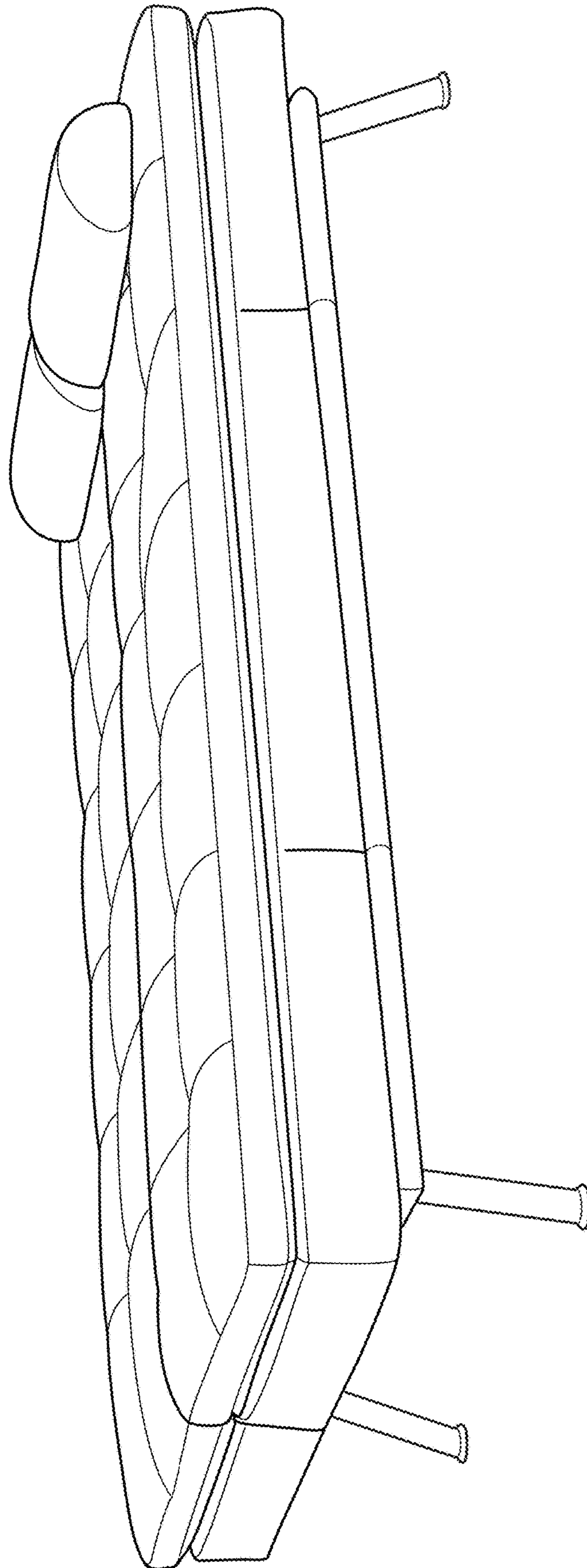


FIG. 3

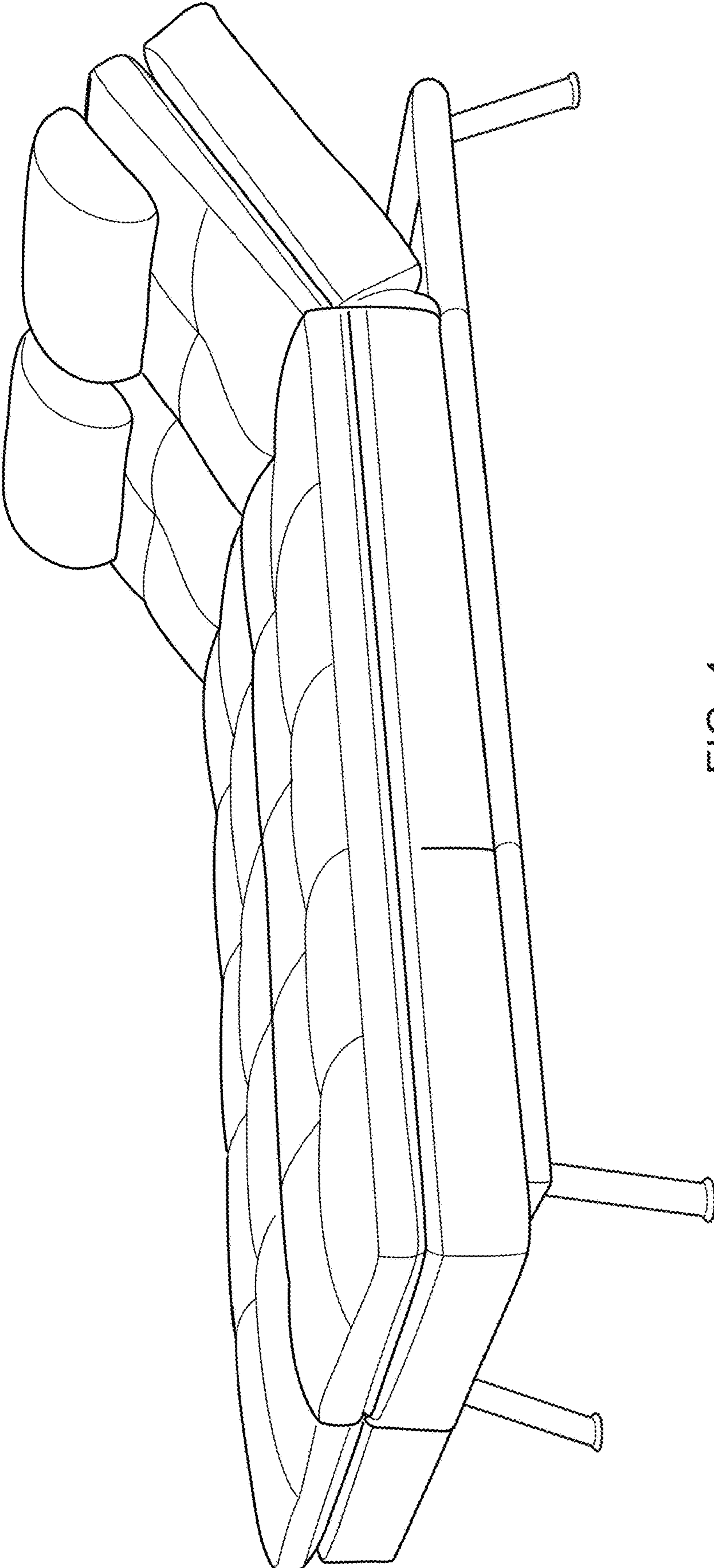


FIG. 4

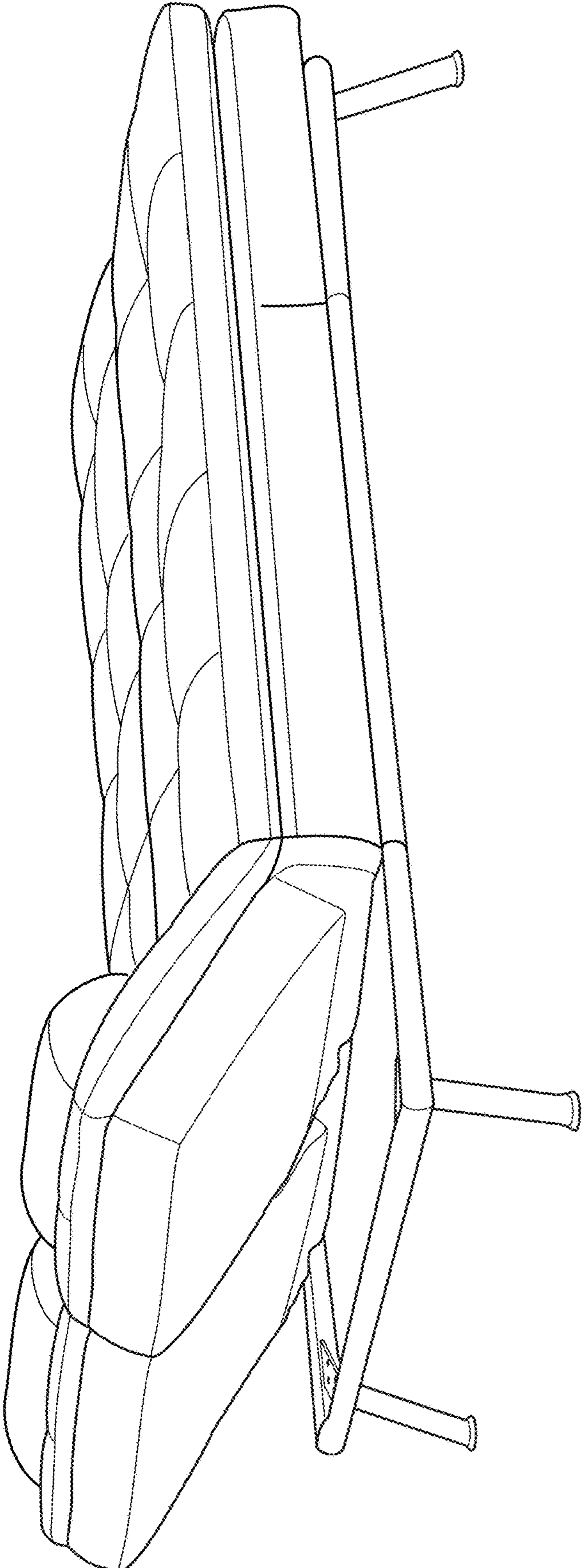


FIG. 5

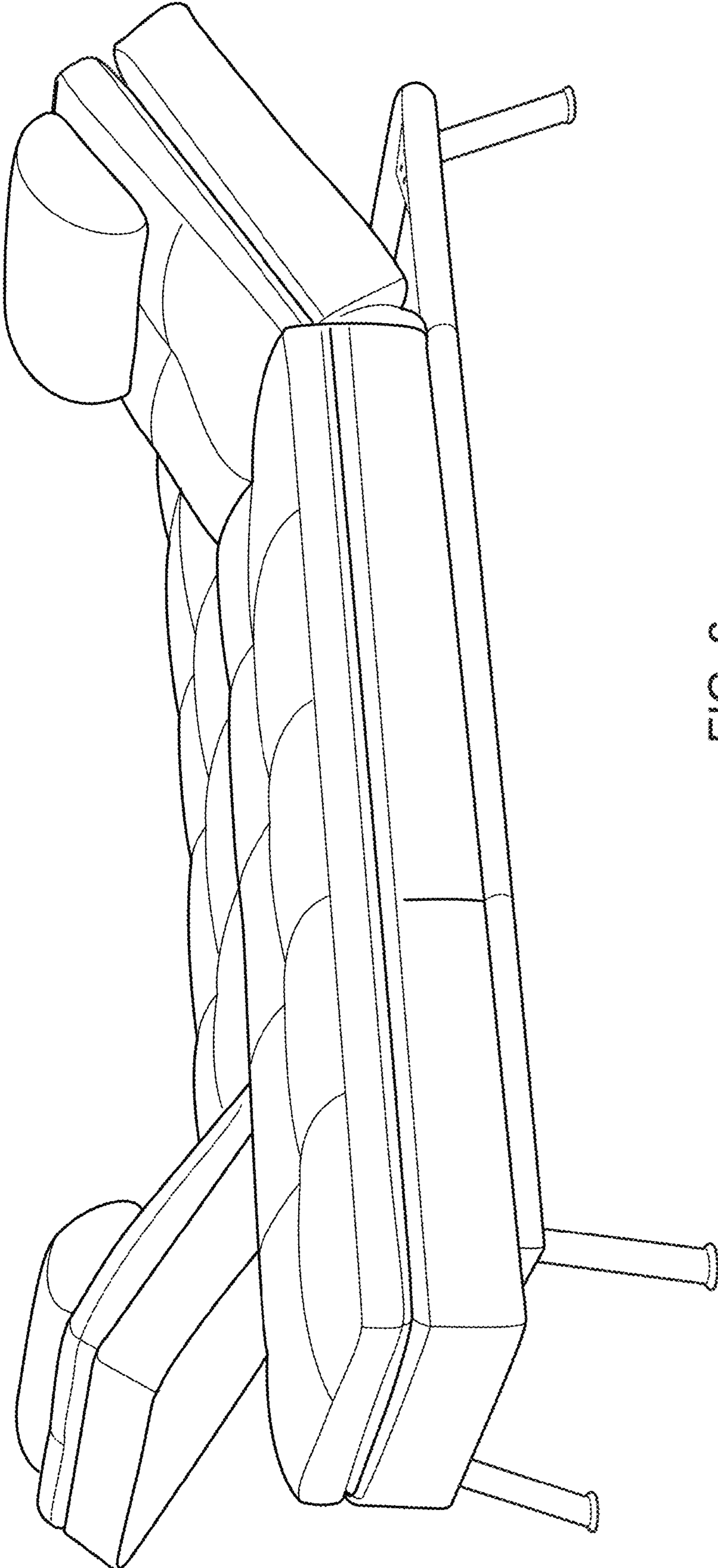


FIG. 6

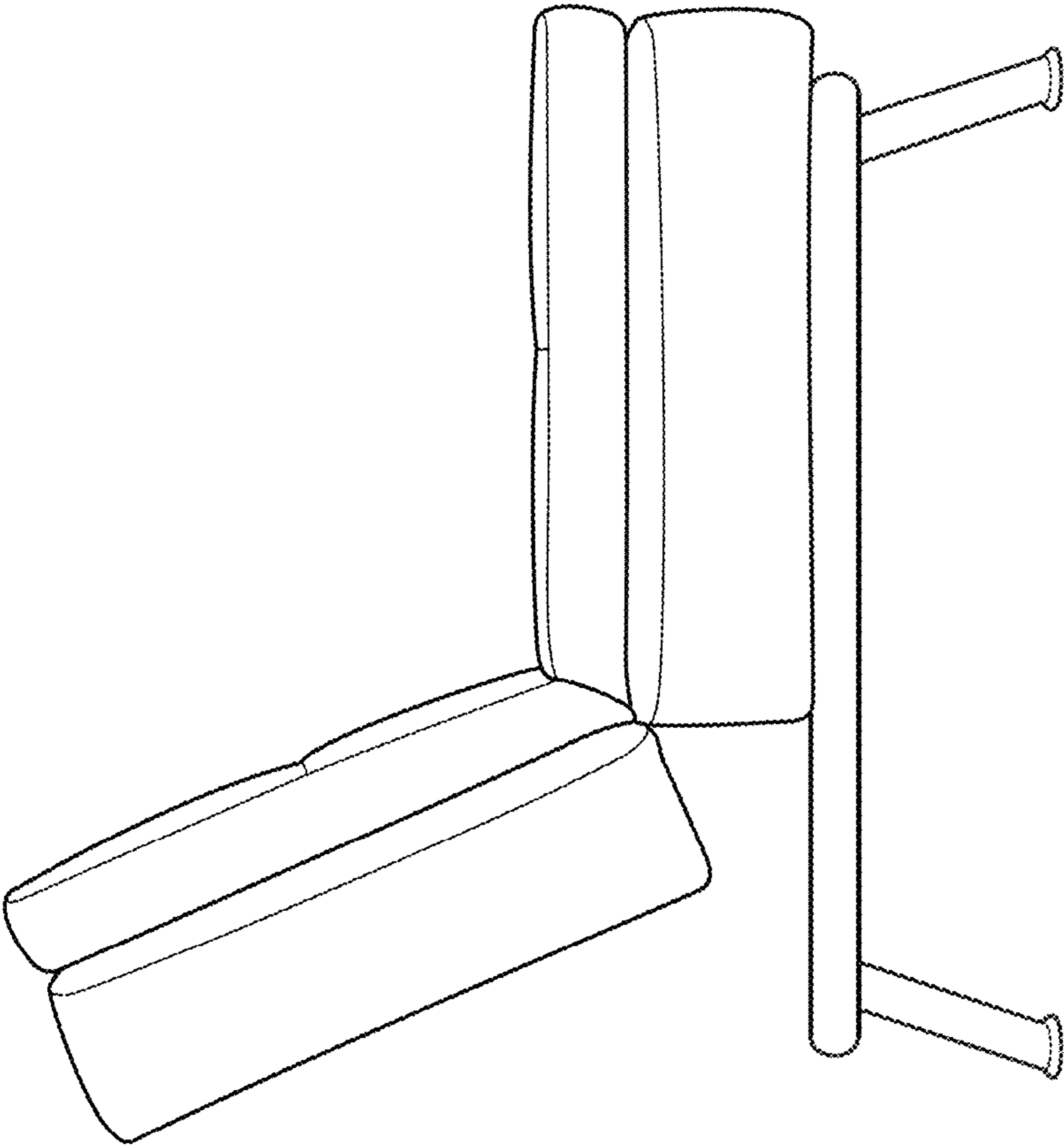


FIG. 7

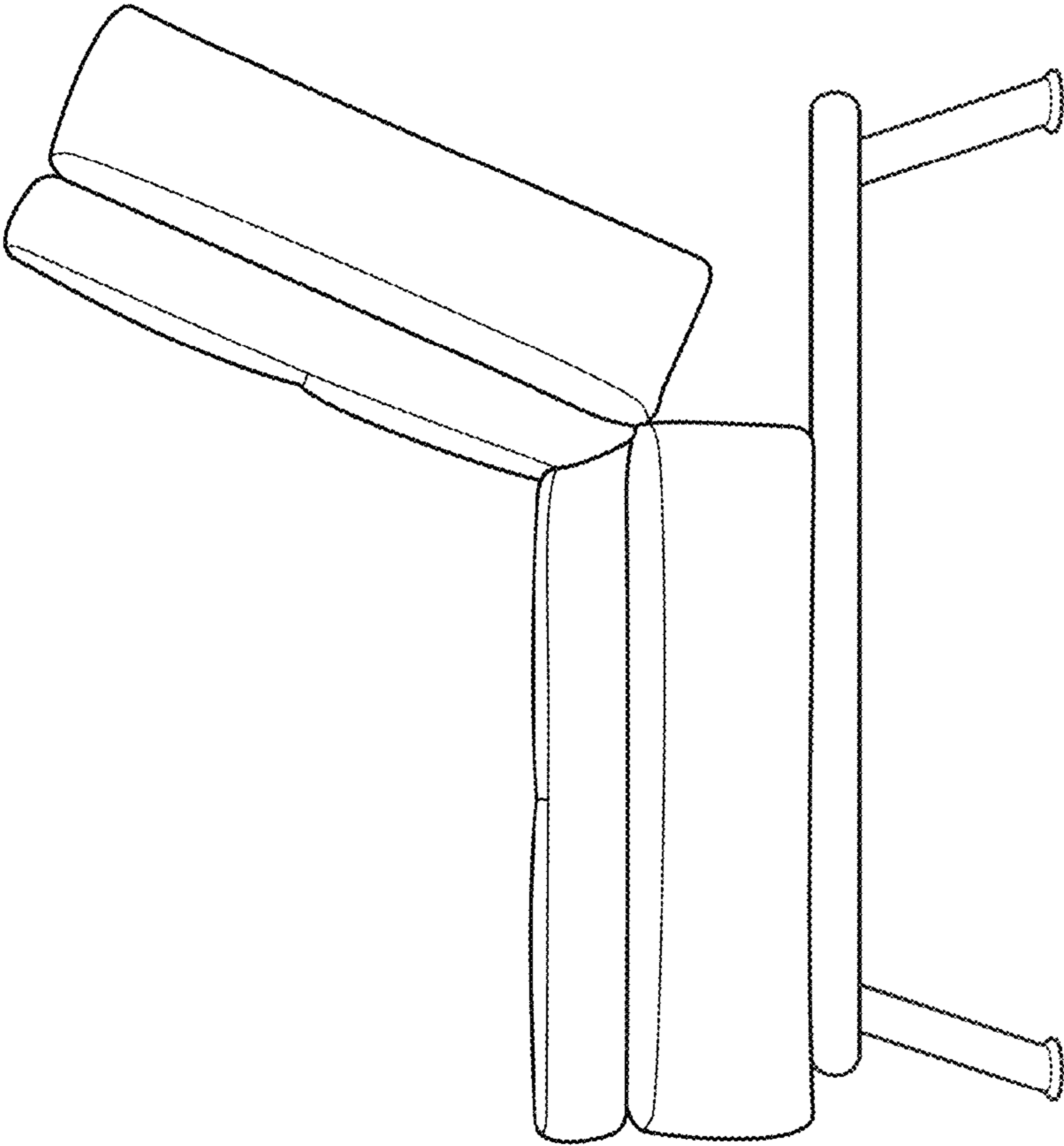


FIG. 8

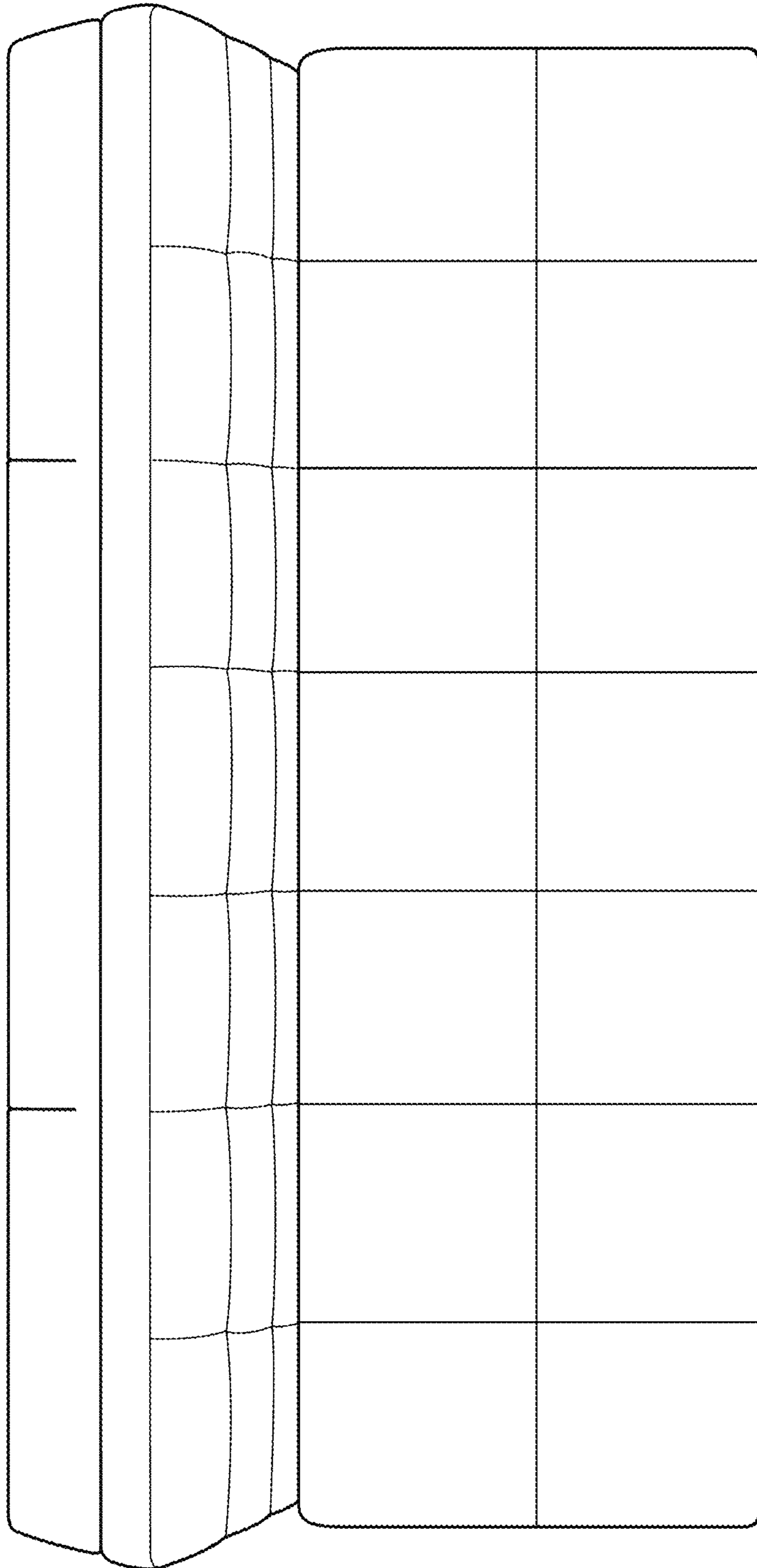


FIG. 9

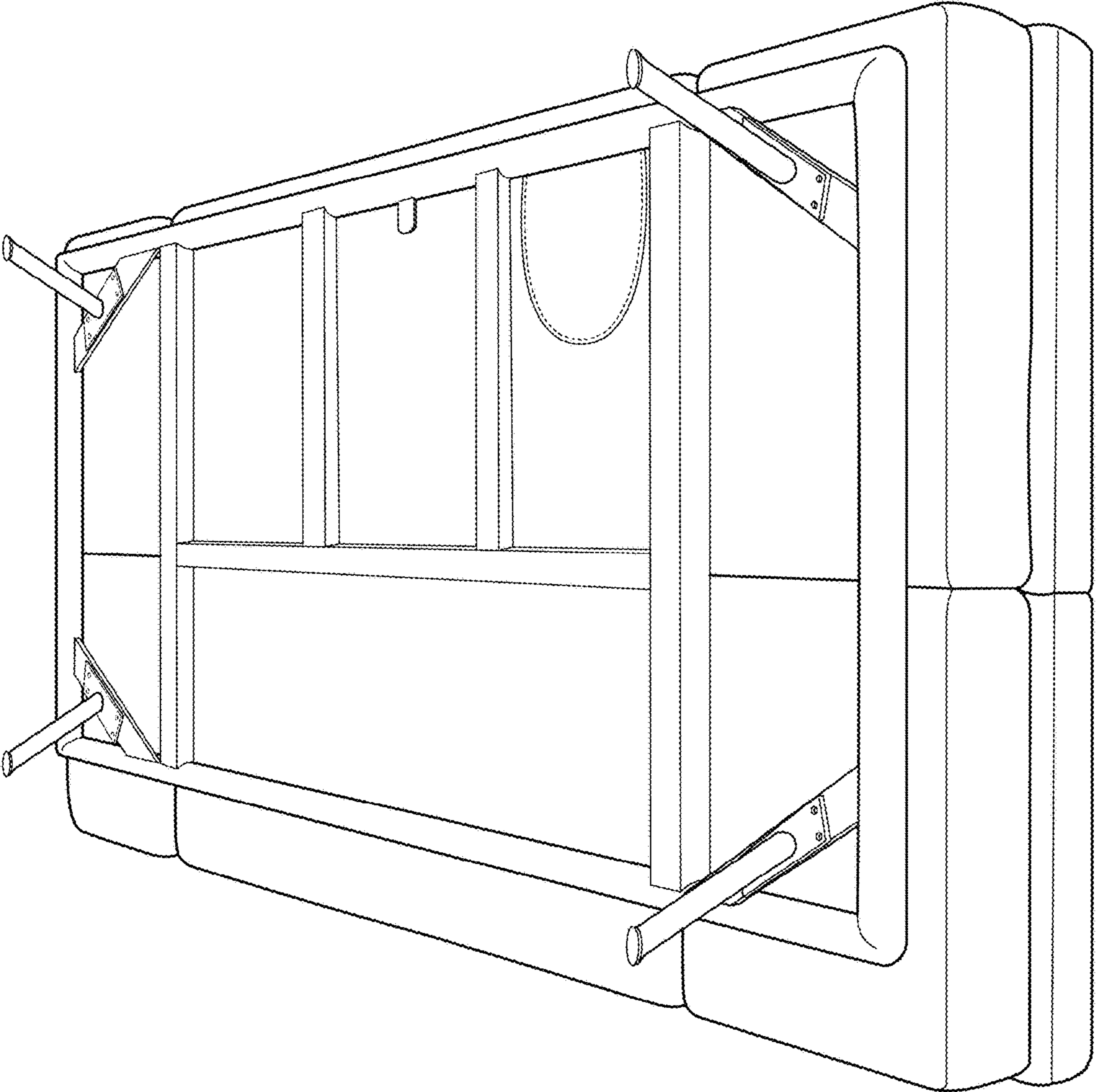


FIG. 10

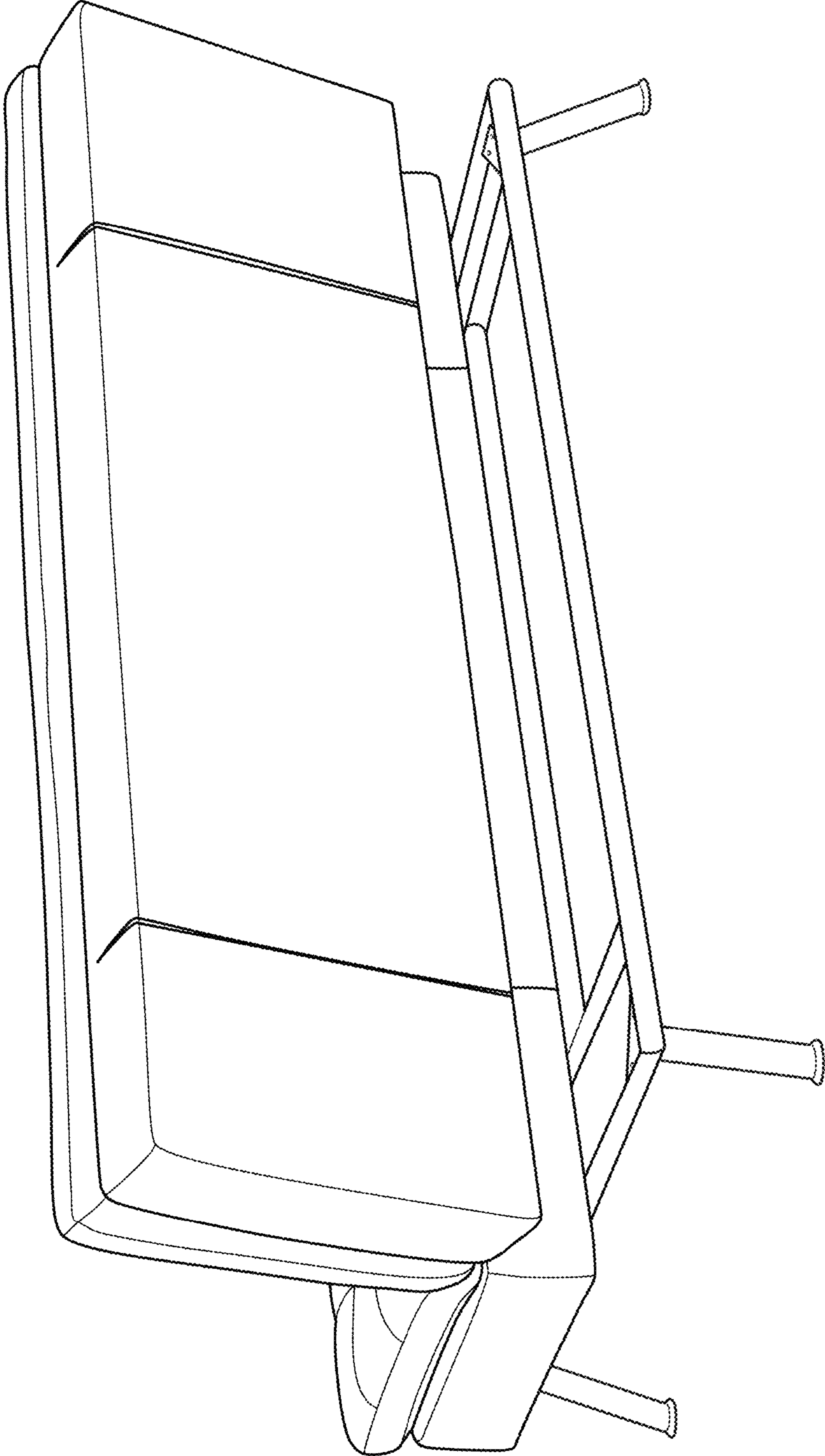


FIG. 11