

US00D891127S

(12) **United States Design Patent**  
**Krusin**

(10) **Patent No.:** **US D891,127 S**  
(45) **Date of Patent:** **\*\* Jul. 28, 2020**

- (54) **CHAIR**
- (71) Applicant: **Knoll, Inc.**, East Greenville, PA (US)
- (72) Inventor: **Marc Krusin**, London (GB)
- (73) Assignee: **Knoll, Inc.**, East Greenville, PA (US)
- (\*\*) Term: **15 Years**
- (21) Appl. No.: **29/649,988**
- (22) Filed: **Jun. 4, 2018**
- (51) **LOC (12) Cl.** ..... **06-01**
- (52) **U.S. Cl.**  
USPC ..... **D6/334**
- (58) **Field of Classification Search**  
USPC ..... D6/334, 335, 349, 353, 354, 356, 360,  
D6/361, 362, 364, 365, 366, 374, 375,  
D6/379, 380, 381  
CPC .... A47C 4/02; A47C 4/04; A47C 4/52; A47C  
11/00; A47C 15/002; A47C 1/00; A47C  
1/03; A47C 7/002  
See application file for complete search history.

D542,046 S	5/2007	Pesso	
D543,373 S	5/2007	Schweikarth et al.	
D559,001 S	1/2008	Starck	
D571,119 S	6/2008	Leonetti et al.	
D579,052 S	* 10/2008	Ciani .....	D6/379
D579,226 S	* 10/2008	Pinaffo .....	D6/379
D580,676 S	11/2008	Cramer et al.	
D585,208 S	1/2009	Stiker	
D647,320 S	10/2011	Young	
D651,014 S	12/2011	Jordan et al.	
D651,015 S	12/2011	Jordan et al.	
D654,285 S	* 2/2012	Ballendat .....	D6/379
D654,718 S	2/2012	Schweikarth	
D670,100 S	11/2012	Krusin	
D670,101 S	11/2012	Krusin	
D686,010 S	* 7/2013	Cramer .....	D6/379
D688,889 S	* 9/2013	Pedersen .....	D6/379
D740,046 S	* 10/2015	Levy .....	D6/379
9,456,693 B1	* 10/2016	Broughton .....	A47B 47/0033
D852,533 S	* 7/2019	Asner .....	D6/379

\* cited by examiner

*Primary Examiner* — Karen S Acker  
(74) *Attorney, Agent, or Firm* — Buchanan Ingersoll & Rooney PC

(57) **CLAIM**

The ornamental design for a chair, as shown and described.

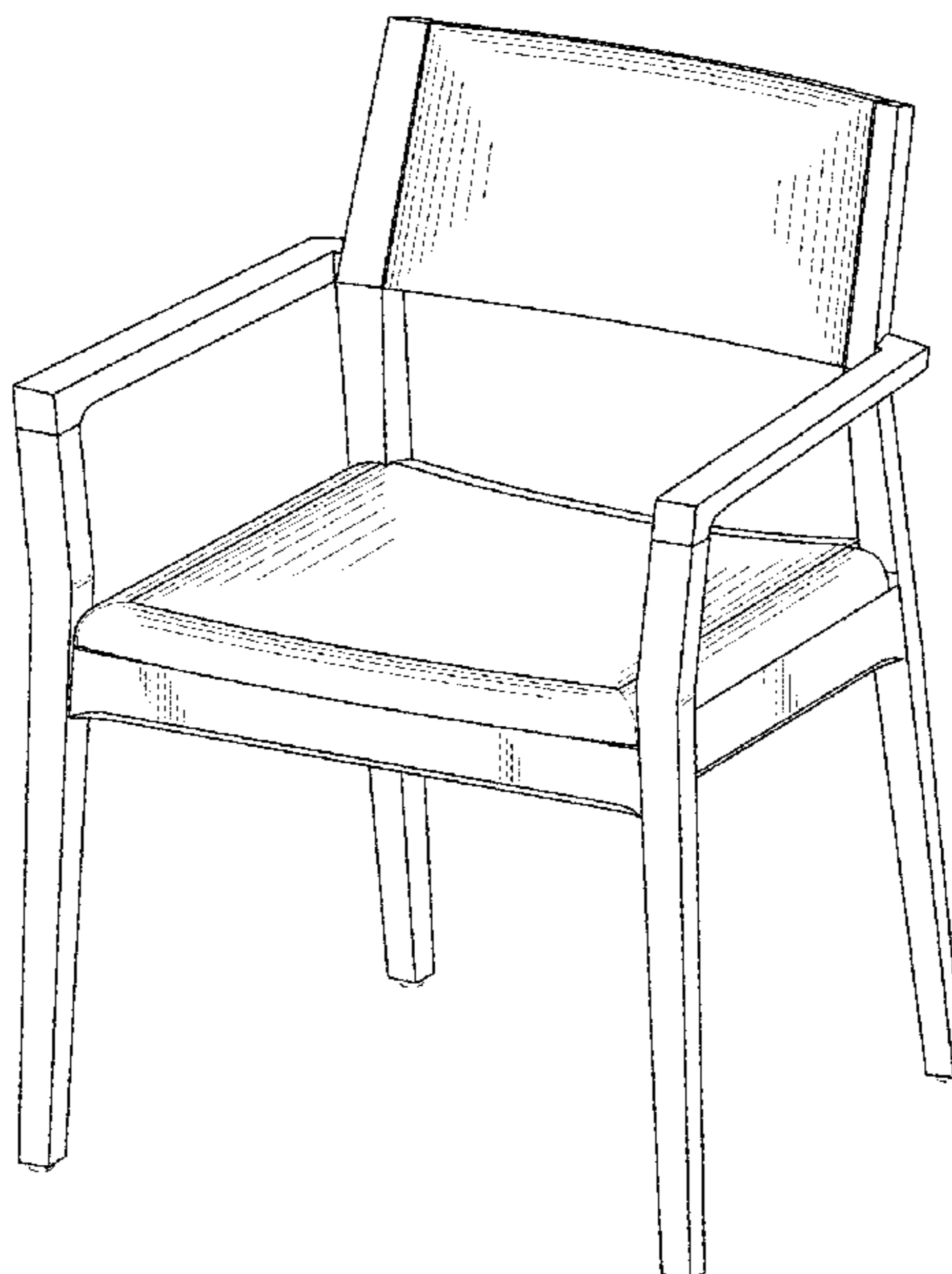
**DESCRIPTION**

FIG. 1 is a perspective view of a chair showing my new design;  
FIG. 2 is a front elevational view thereof;  
FIG. 3 is a rear elevational view thereof;  
FIG. 4 is a top plan view thereof;  
FIG. 5 is a bottom plan view thereof;  
FIG. 6 is a left side elevational view thereof; and,  
FIG. 7 is a right side elevational view thereof.  
The broken lines shown in the drawing Figures illustrate portions of the chair that form no part of the claimed design.

**1 Claim, 5 Drawing Sheets**

(56) **References Cited**  
U.S. PATENT DOCUMENTS

D165,788 S	1/1952	Risom	
D190,422 S	* 5/1961	Deaton .....	A47B 47/0033 D6/374
D193,842 S	10/1962	Ohlsson	
D210,578 S	* 3/1968	Catalano .....	D6/374
D215,836 S	* 11/1969	Rowayton .....	D6/374
D309,991 S	* 8/1990	Miller .....	D6/379
D333,925 S	3/1993	Ricchio, Jr. et al.	
D363,823 S	11/1995	Ricchio, Jr.	
D396,365 S	7/1998	Lizell	
D457,342 S	5/2002	Muller	
D520,255 S	5/2006	King	
D524,072 S	7/2006	King	



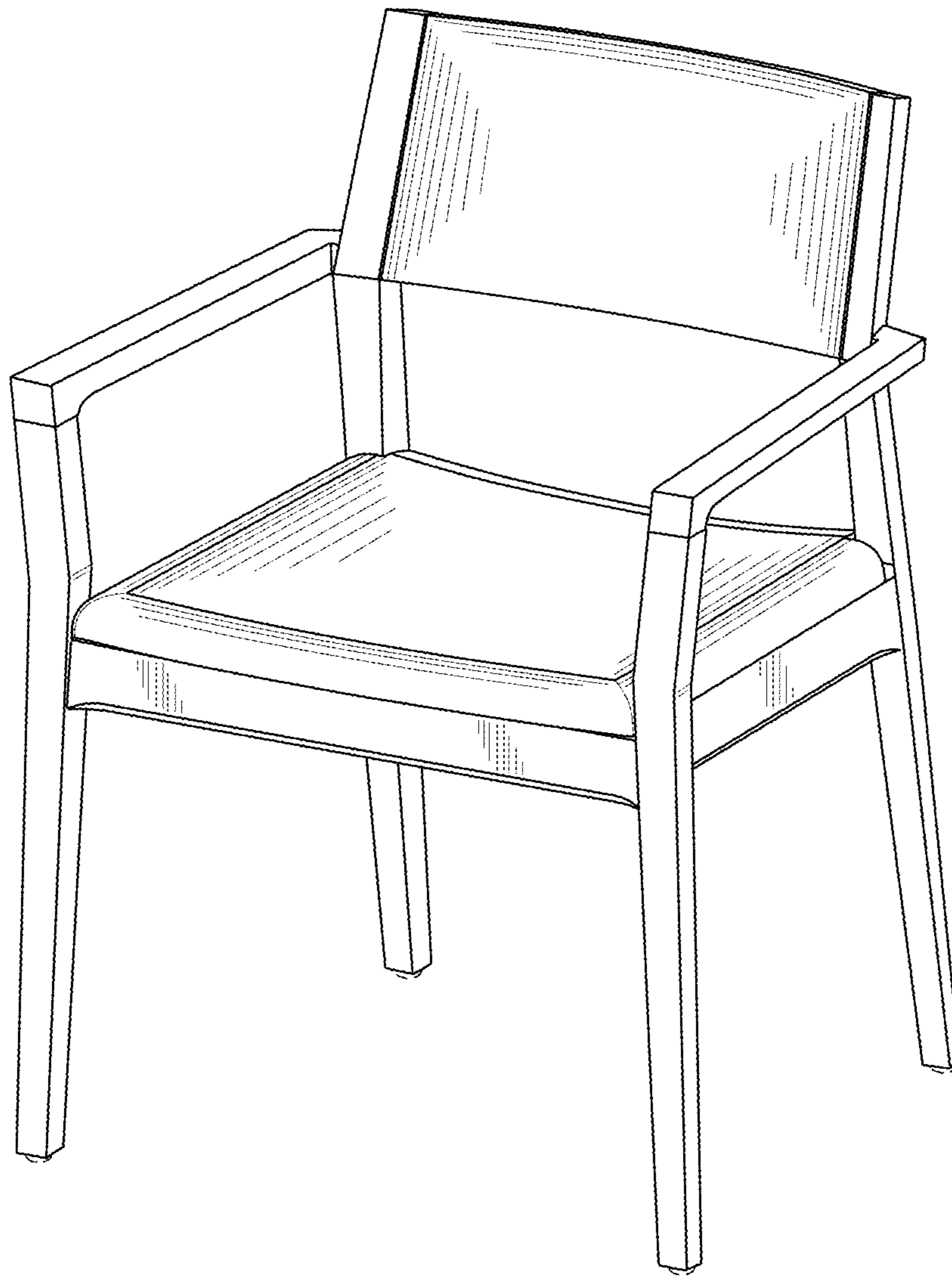


FIG. 1

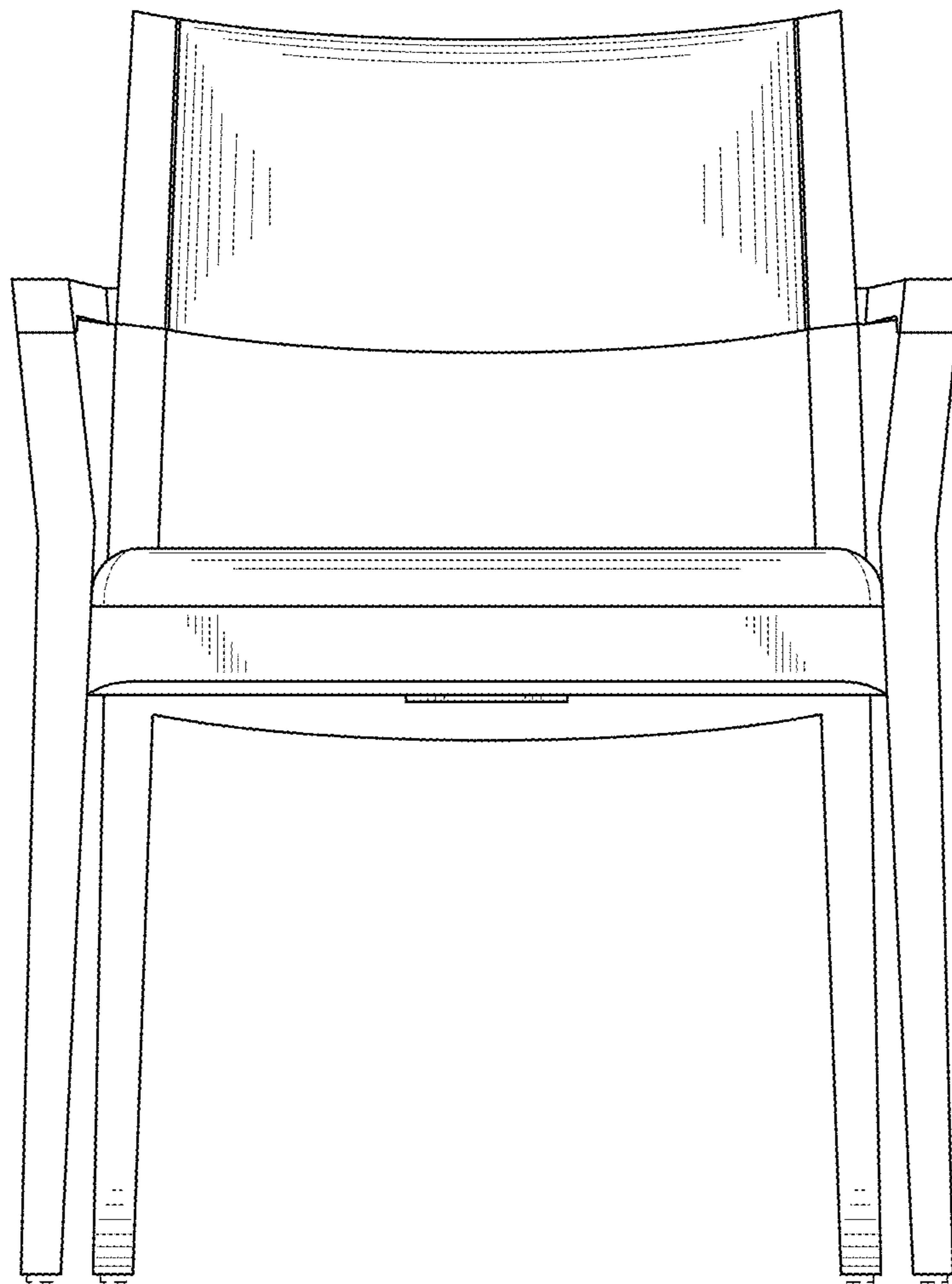


FIG. 2

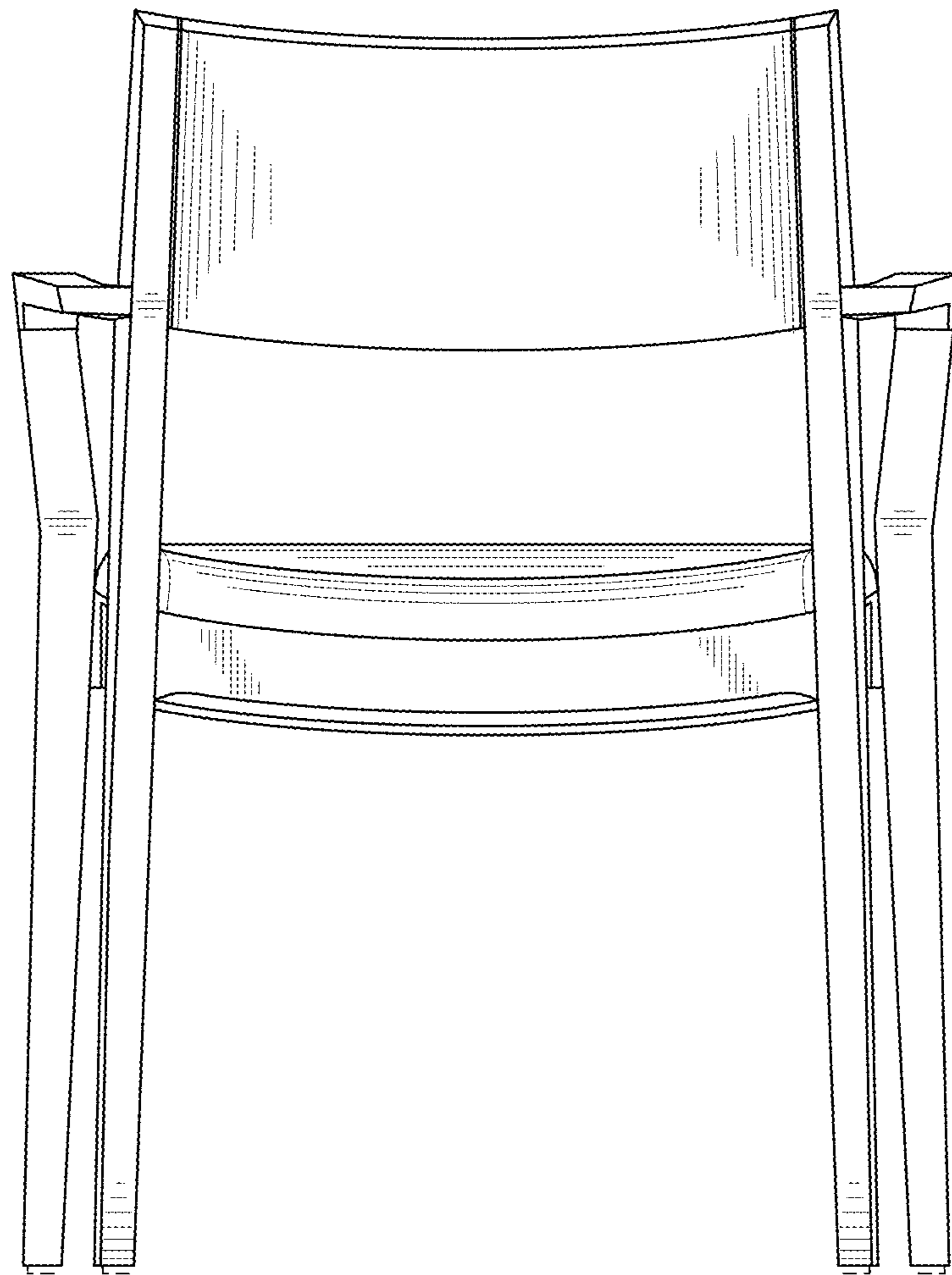


FIG. 3

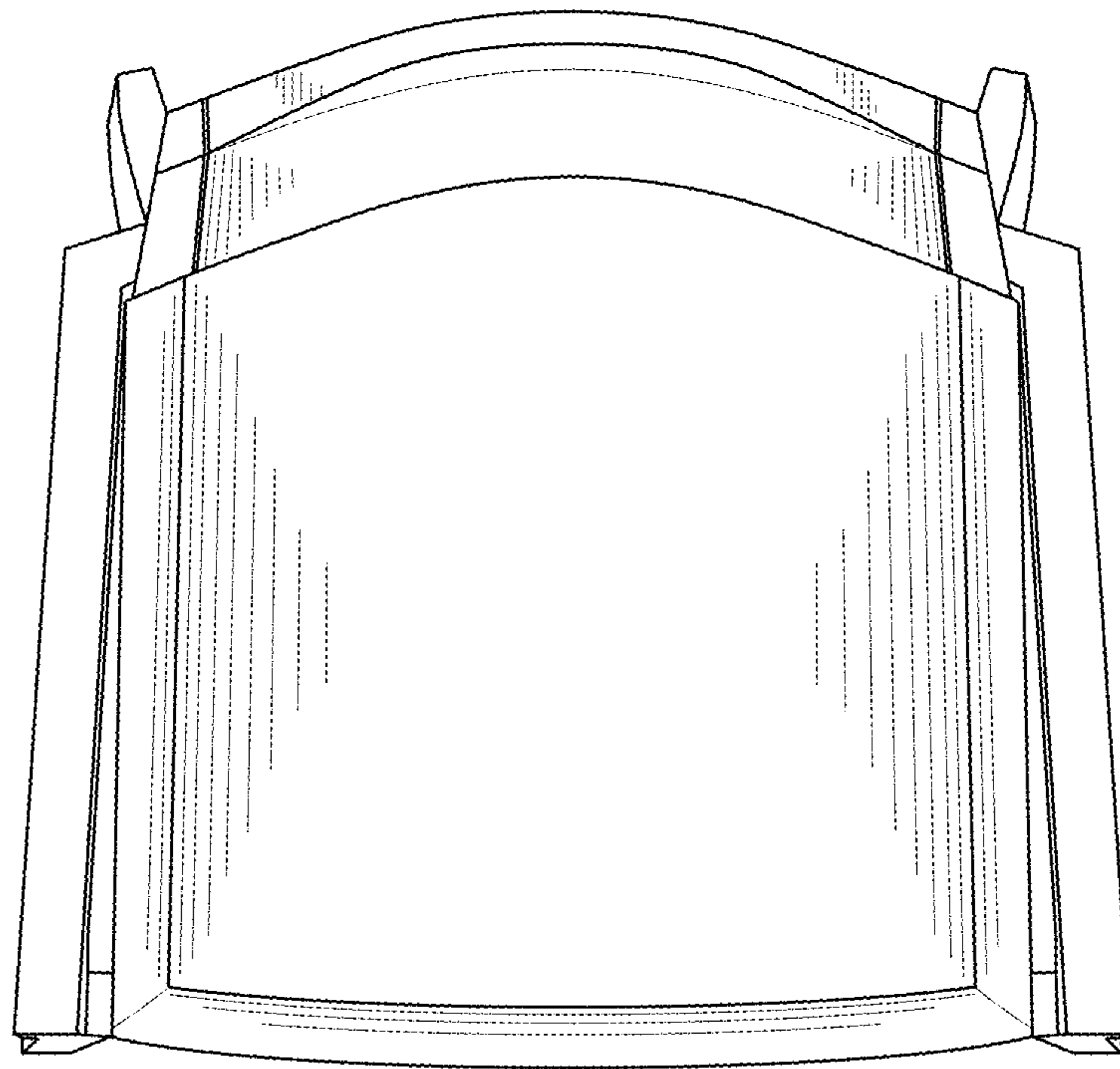


FIG. 4

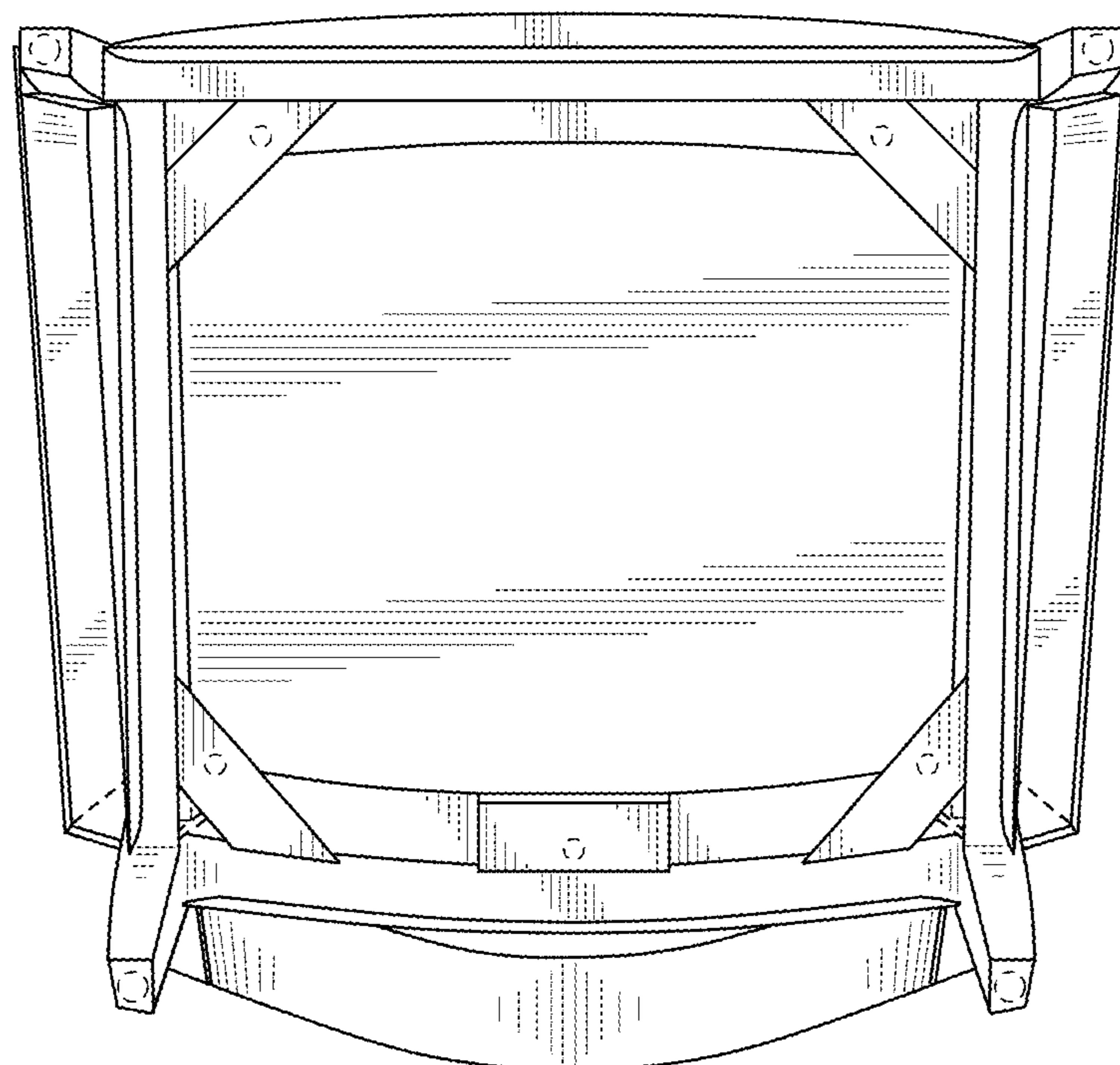


FIG. 5



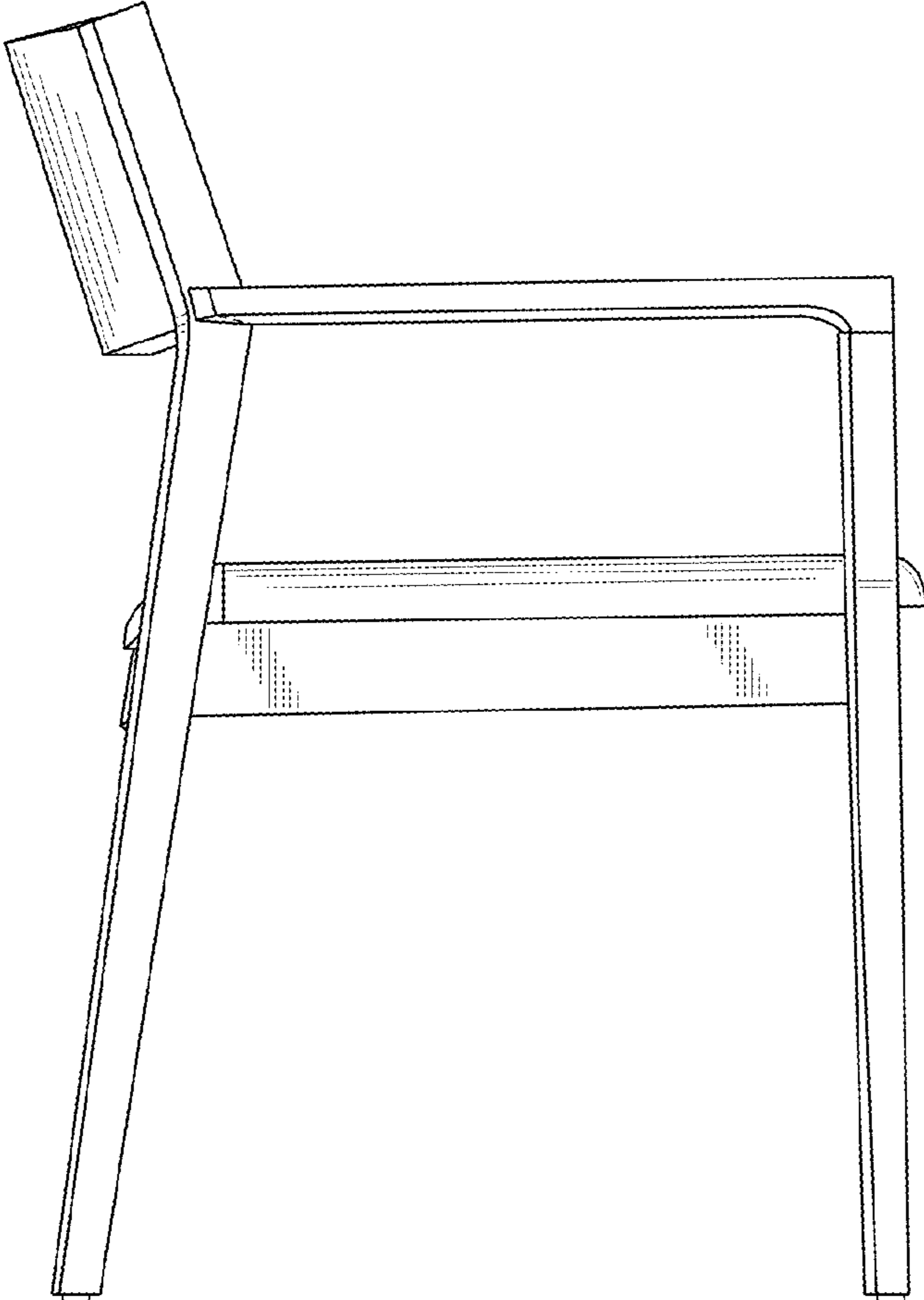


FIG. 6

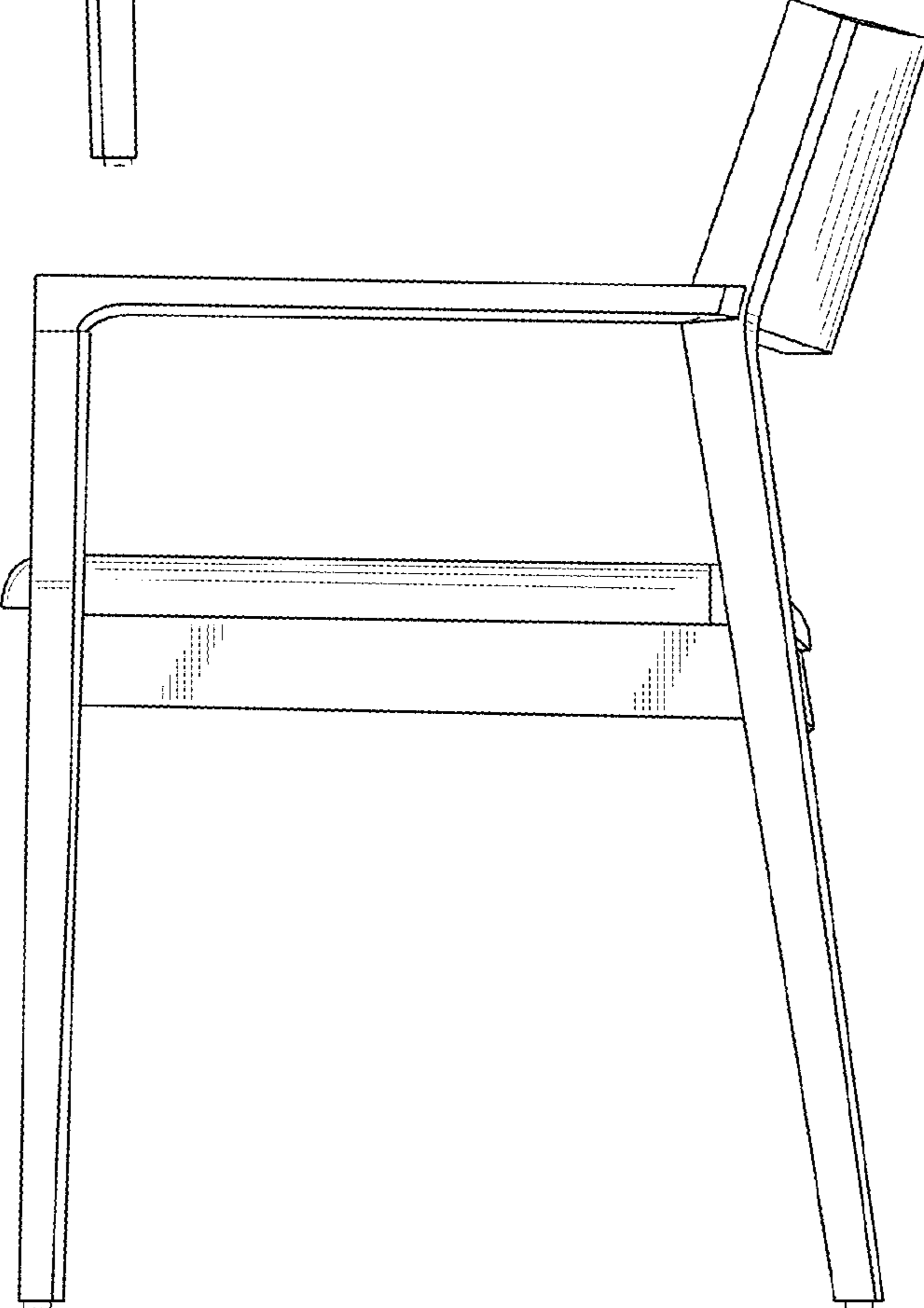


FIG. 7