



US00D891126S

(12) **United States Design Patent** (10) **Patent No.:** **US D891,126 S**
Skalka (45) **Date of Patent:** **** Jul. 28, 2020**

(54) **BENCH FRAME**

(71) Applicant: **VICTOR STANLEY, INC.**, Dunkirk, MD (US)

(72) Inventor: **Gerald P. Skalka**, Potomac, MD (US)

(73) Assignee: **VICTOR STANLEY, INC.**, Dunkirk, MD (US)

(**) Term: **15 Years**

(21) Appl. No.: **29/641,436**

(22) Filed: **Mar. 22, 2018**

(51) **LOC (12) Cl.** **06-01**

(52) **U.S. Cl.**
USPC **D6/334; D6/344; D6/372; D6/379; D6/380; D6/381**

(58) **Field of Classification Search**

CPC **A47C 7/00; A47C 7/62; A47C 7/18; A47C 7/54; A47C 4/00; A47C 4/028; A47C 4/28;**

(Continued)

(56) **References Cited**

U.S. PATENT DOCUMENTS

D655,928 S 3/2012 Ciocchini
D655,937 S 3/2012 Ciocchini

(Continued)

Primary Examiner — Deanna L Pratt

(74) *Attorney, Agent, or Firm* — Westerman, Hattori, Daniels & Adrian, LLP

(57) **CLAIM**

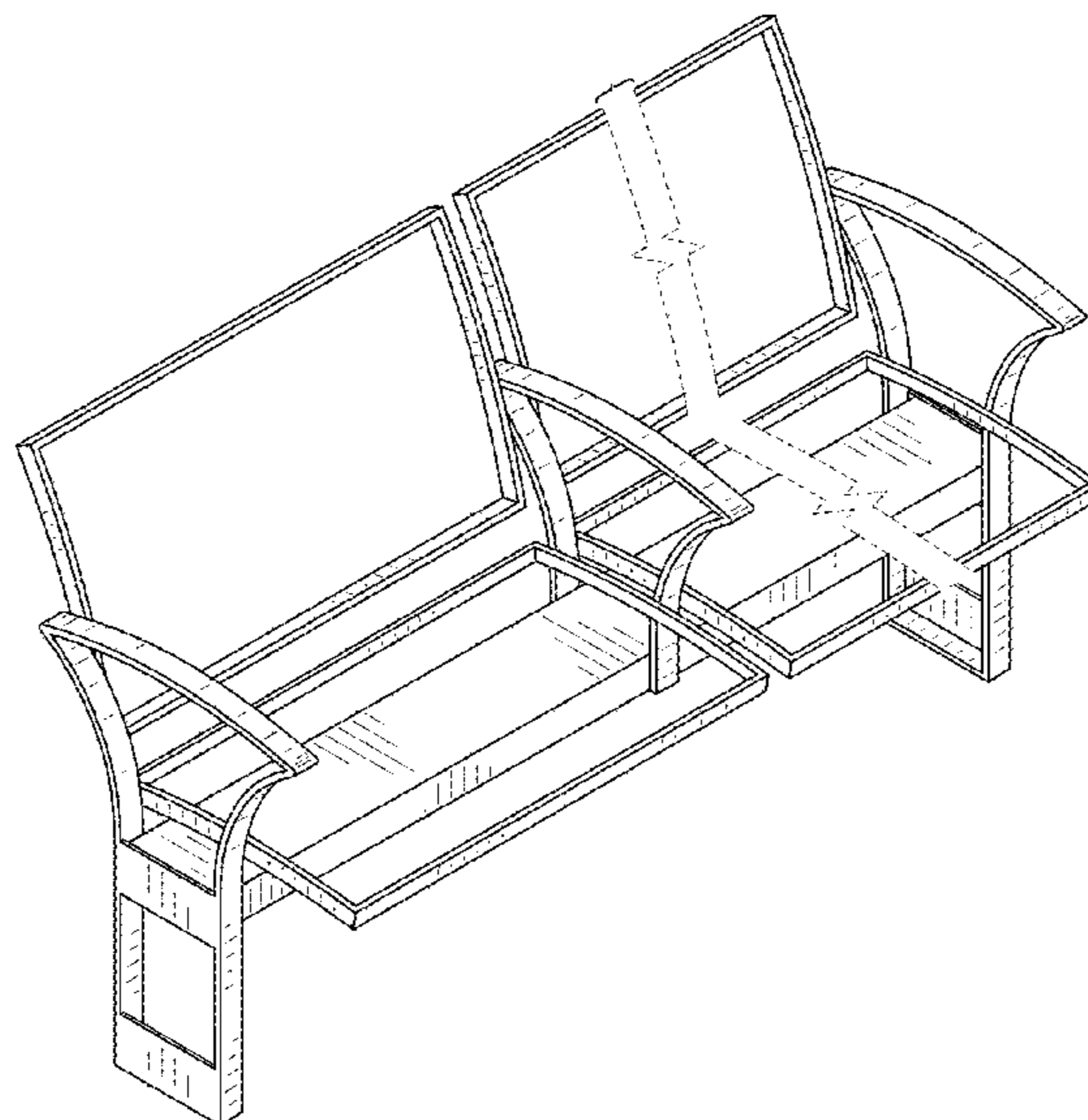
The ornamental design for a bench frame, as shown and described.

DESCRIPTION

FIG. 1 is a front perspective view of a first embodiment of a bench frame showing my new design.

FIG. 2 is a front elevational view thereof.
FIG. 3 is a rear elevational view thereof.
FIG. 4 is a left side elevational view thereof.
FIG. 5 is a right side elevational view thereof.
FIG. 6 is a top plan view thereof.
FIG. 7 is a bottom plan view thereof.
FIG. 8 is a rear perspective view thereof.
FIG. 9 is a front perspective view of a second embodiment of a bench frame showing my new design.
FIG. 10 is a front elevational view thereof.
FIG. 11 is a rear elevational view thereof.
FIG. 12 is a left side elevational view thereof.
FIG. 13 is a right side elevational view thereof.
FIG. 14 is a top plan view thereof.
FIG. 15 is a bottom plan view thereof.
FIG. 16 is a rear perspective view thereof.
FIG. 17 is a front perspective view of a third embodiment of a bench frame showing my new design.
FIG. 18 is a front elevational view thereof.
FIG. 19 is a rear elevational view thereof.
FIG. 20 is a left side elevational view thereof.
FIG. 21 is a right side elevational view thereof.
FIG. 22 is a top plan view thereof.
FIG. 23 is a bottom plan view thereof.
FIG. 24 is a rear perspective view thereof.
FIG. 25 is a front perspective view of a fourth embodiment of a bench frame showing my new design.
FIG. 26 is a front elevational view thereof.
FIG. 27 is a rear elevational view thereof.
FIG. 28 is a left side elevational view thereof.
FIG. 29 is a right side elevational view thereof.
FIG. 30 is a top plan view thereof.
FIG. 31 is a bottom plan view thereof; and,
FIG. 32 is a rear perspective view thereof.
The bench frame is shown with a symbolic break in its length. The appearance of any portion of the bench frame between the break lines forms no part of the claimed design.

1 Claim, 20 Drawing Sheets



(58) **Field of Classification Search**

CPC ... A47C 3/16; A47C 3/04; A47C 3/12; A47C
1/02; A47C 1/14

See application file for complete search history.

(56) **References Cited**

U.S. PATENT DOCUMENTS

D710,624 S	8/2014	Skalka	
D710,626 S	8/2014	Skalka	
D711,175 S	8/2014	Skalka	
D711,176 S	8/2014	Skalka	
D722,921 S	2/2015	Skalka et al.	
D726,473 S	4/2015	Skalka	
D726,474 S	4/2015	Skalka	
D727,669 S	4/2015	Skalka	
D735,091 S	7/2015	Slaughenhaupt et al.	
D819,381 S *	6/2018	Lee	D6/717
D825,210 S *	8/2018	Lee	D6/344

* cited by examiner

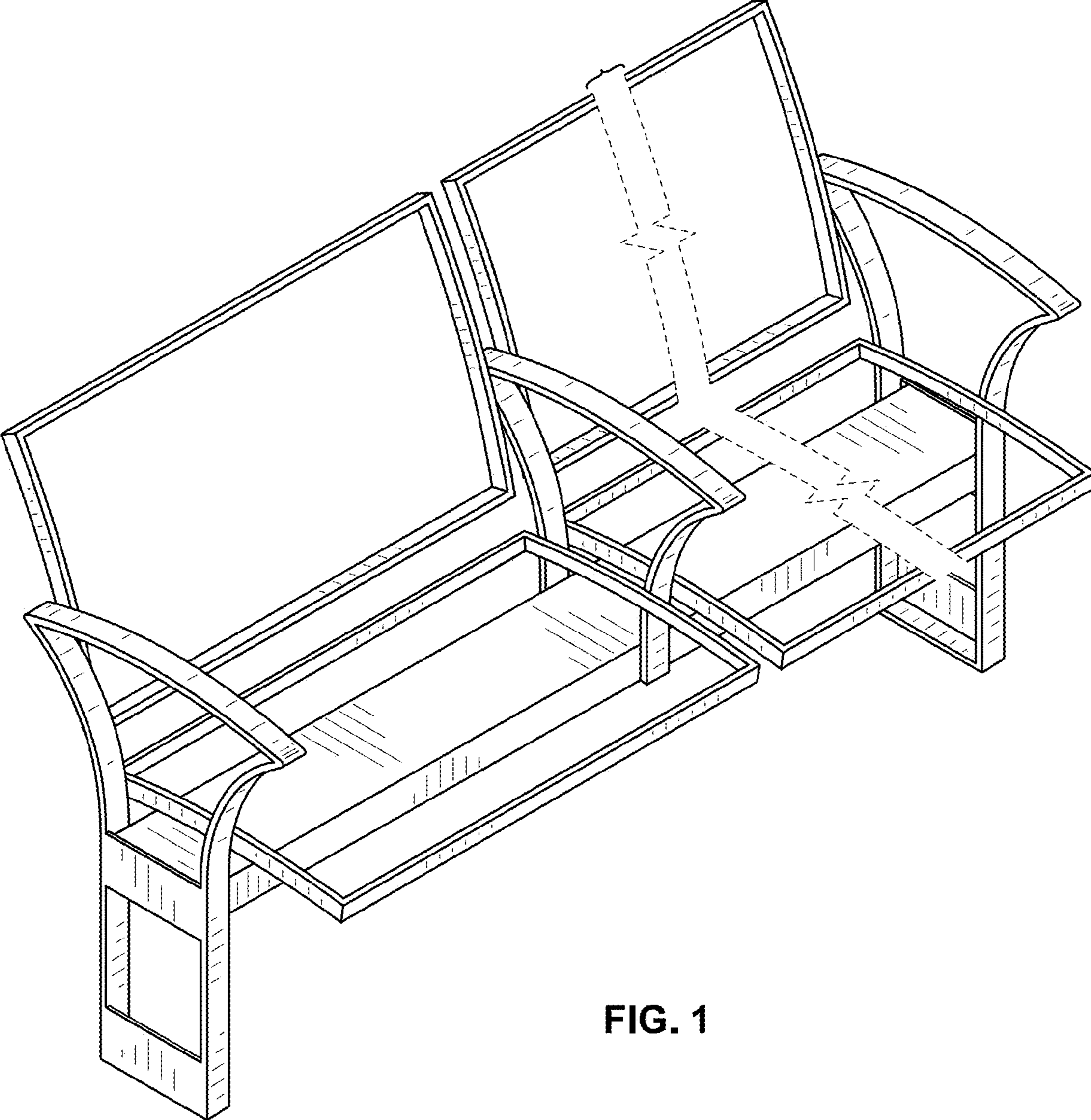


FIG. 1

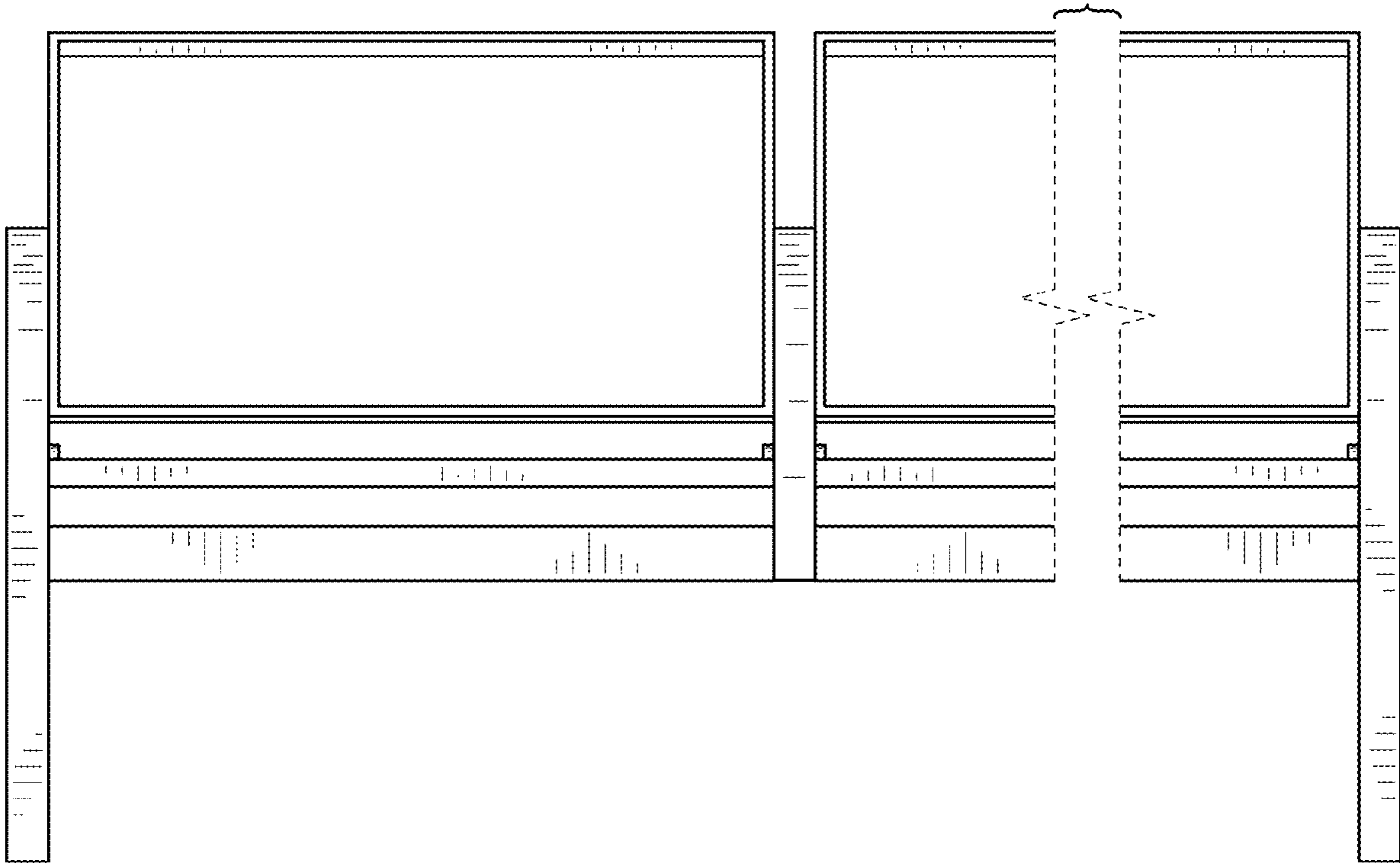


FIG. 2

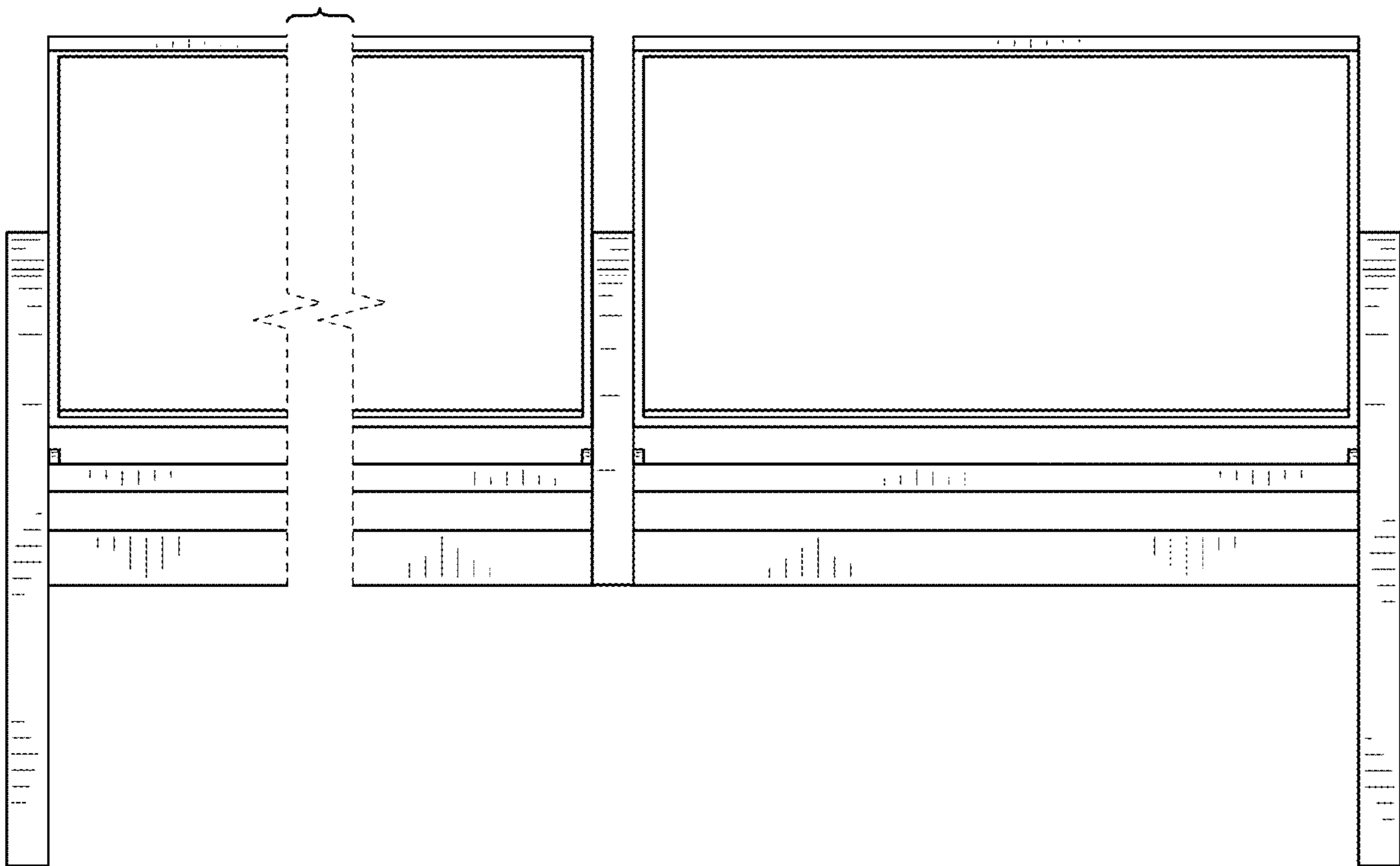


FIG. 3

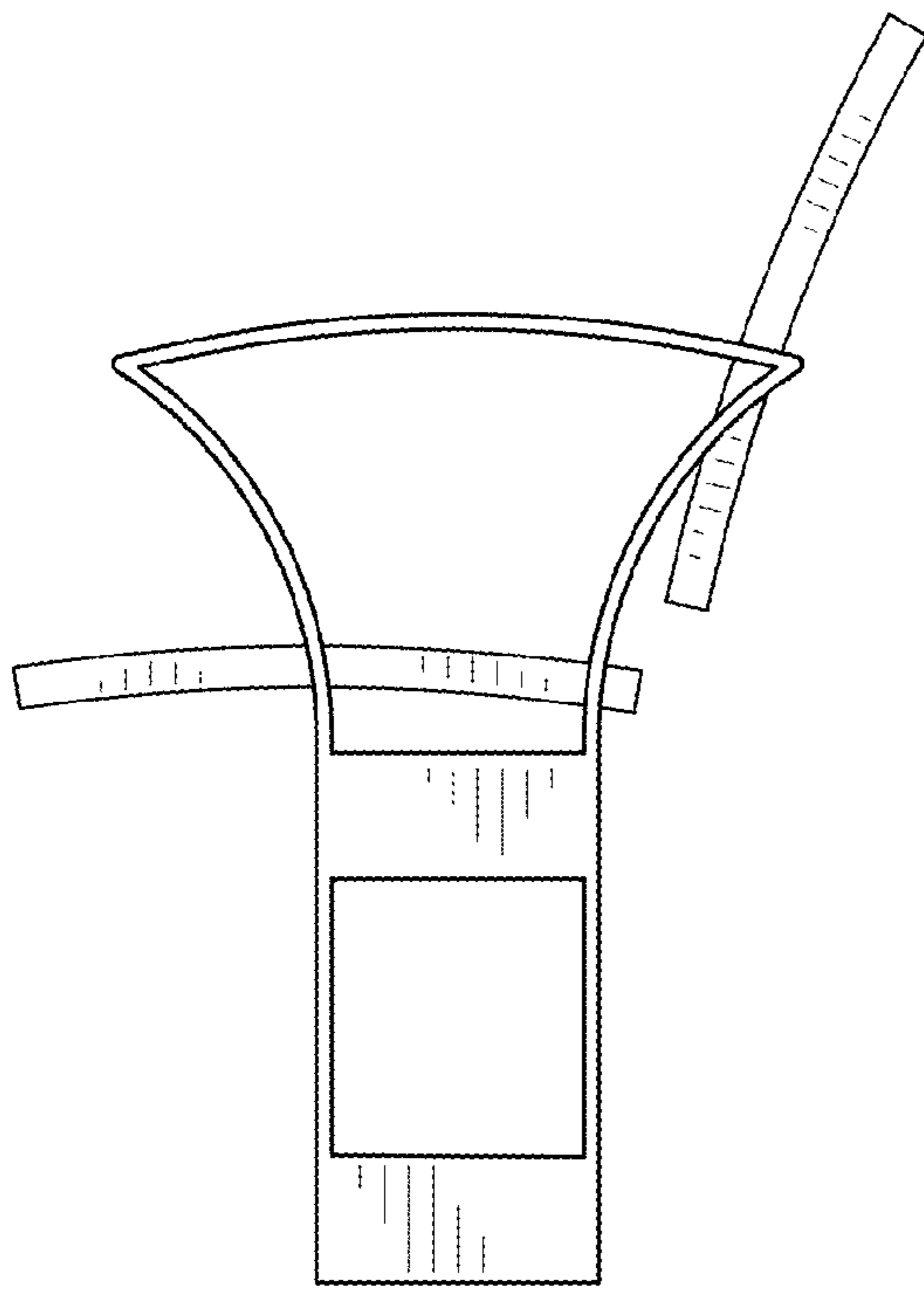


FIG. 4

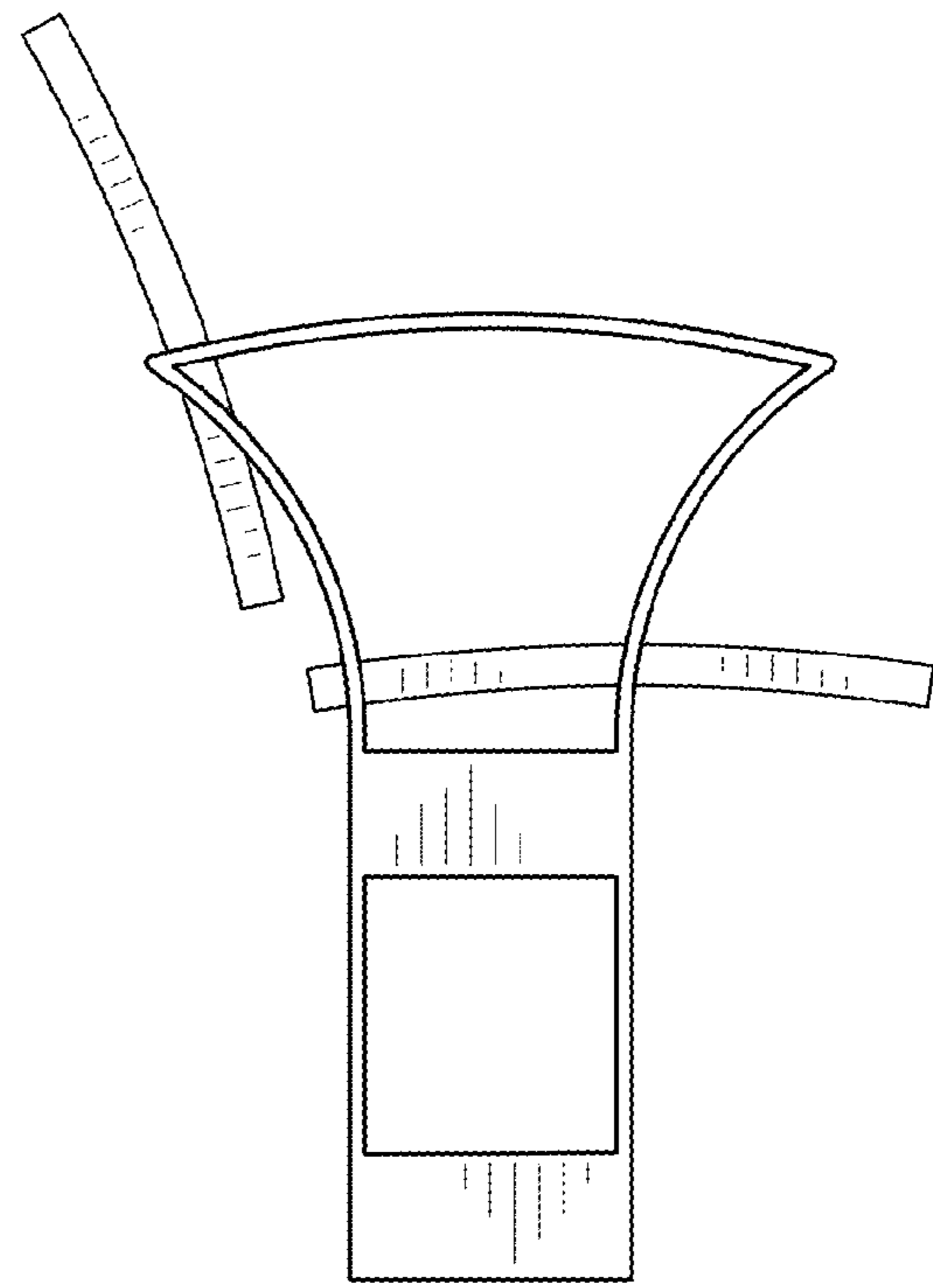


FIG. 5

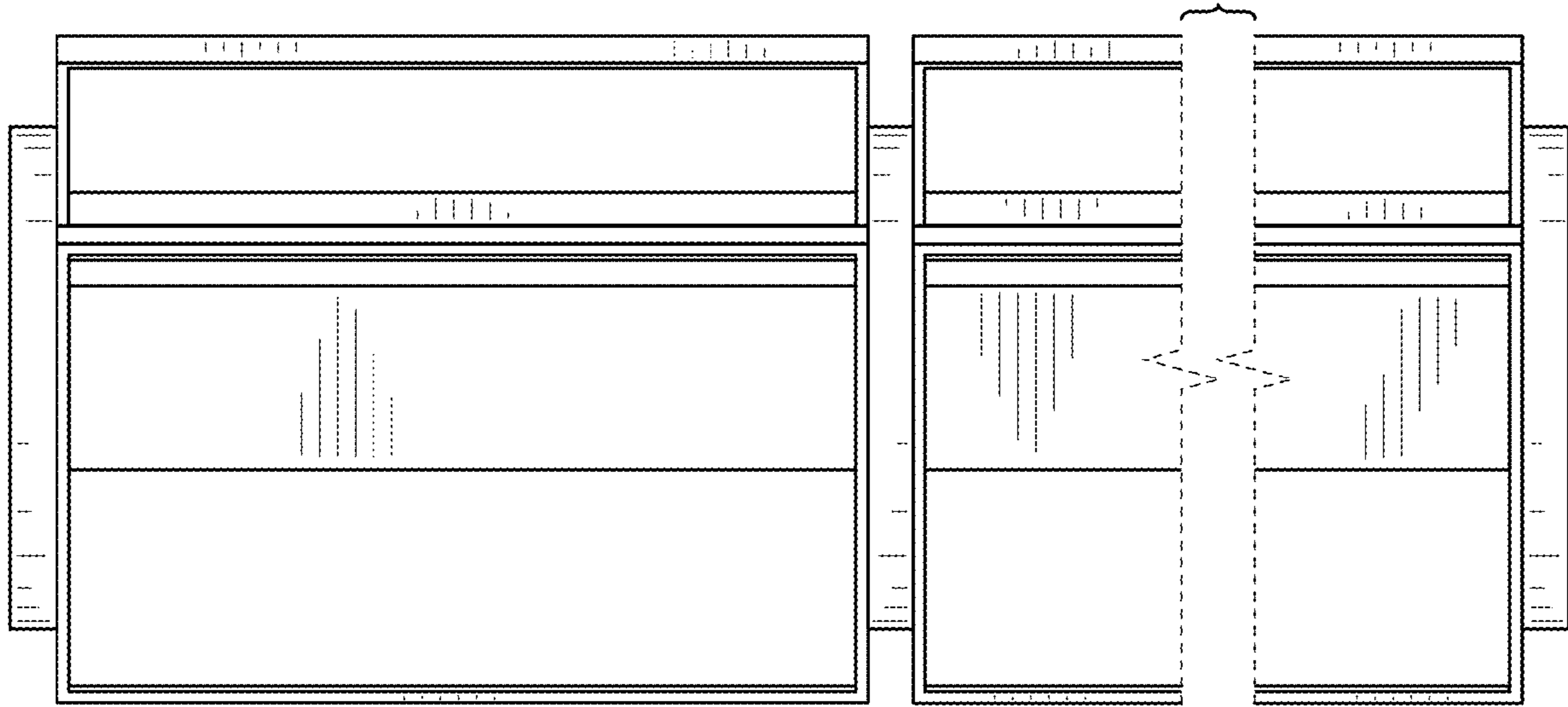


FIG. 6

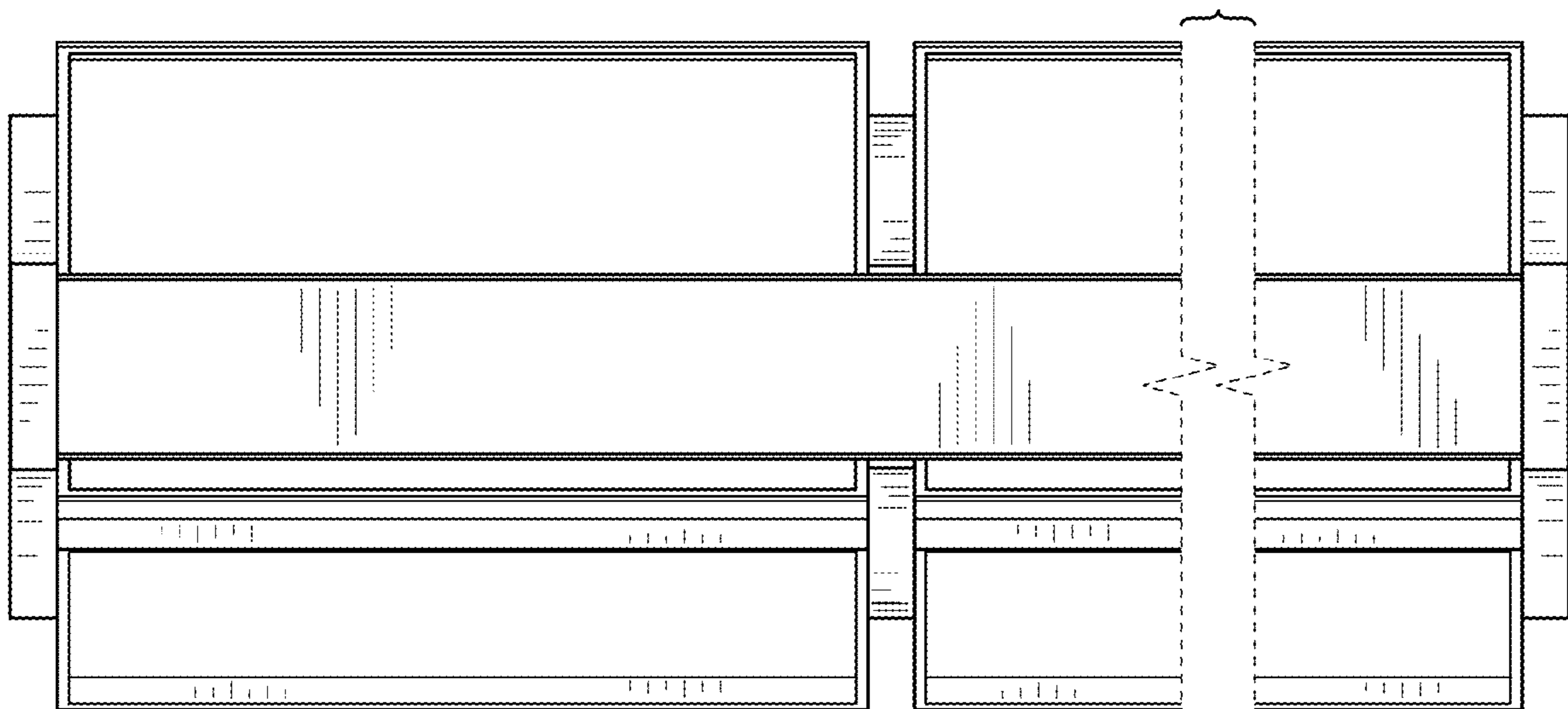


FIG. 7

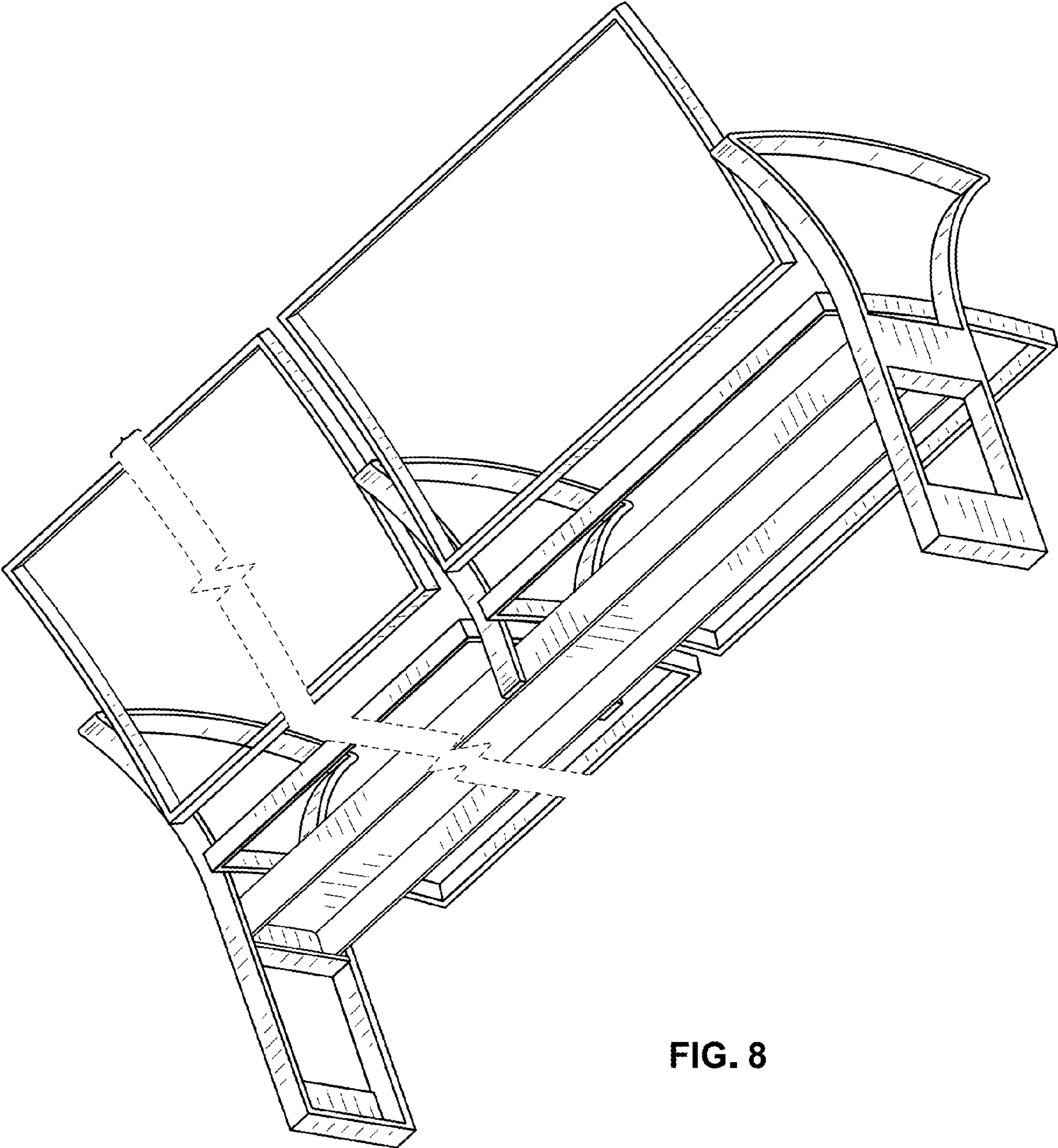


FIG. 8

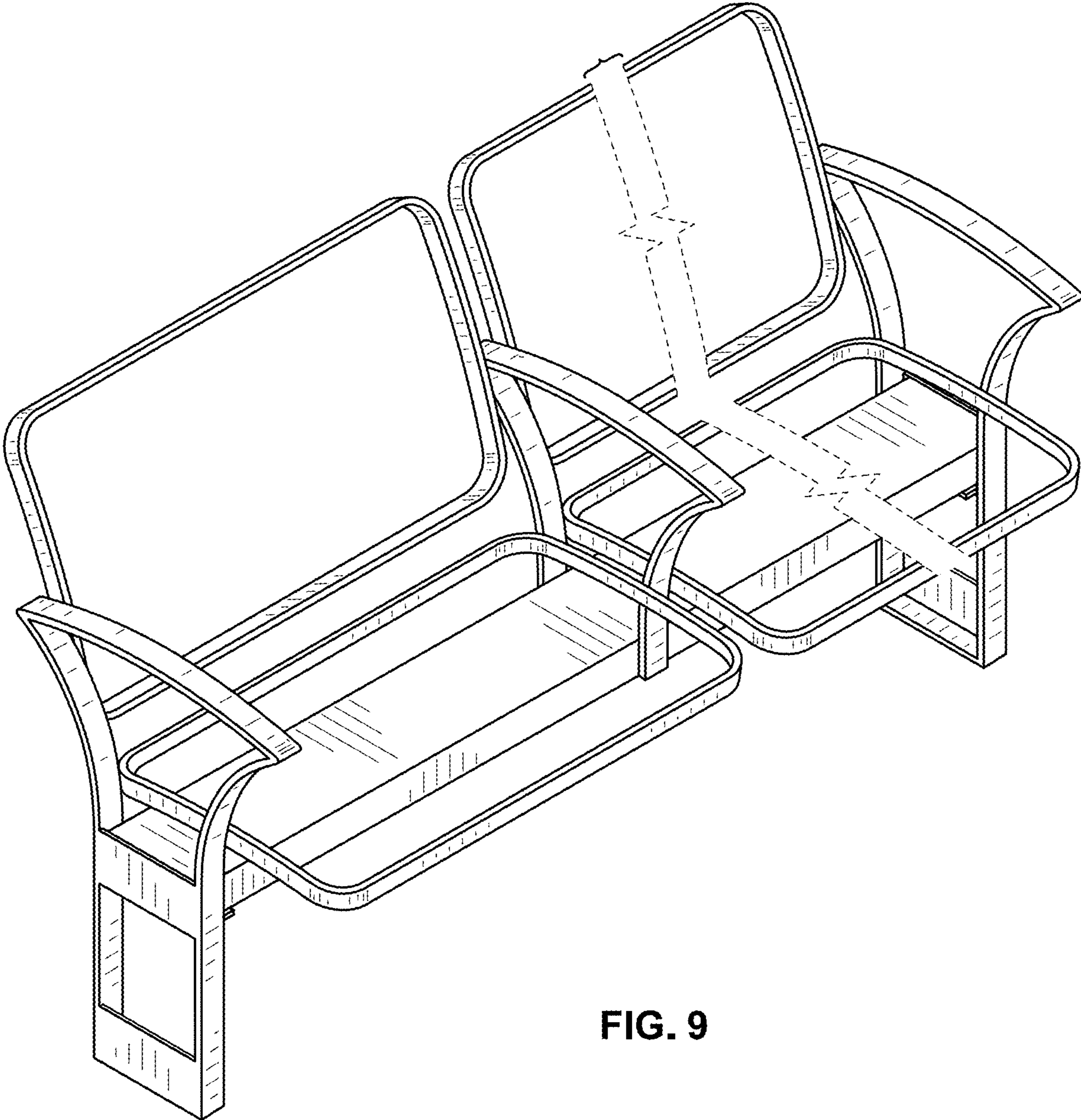


FIG. 9

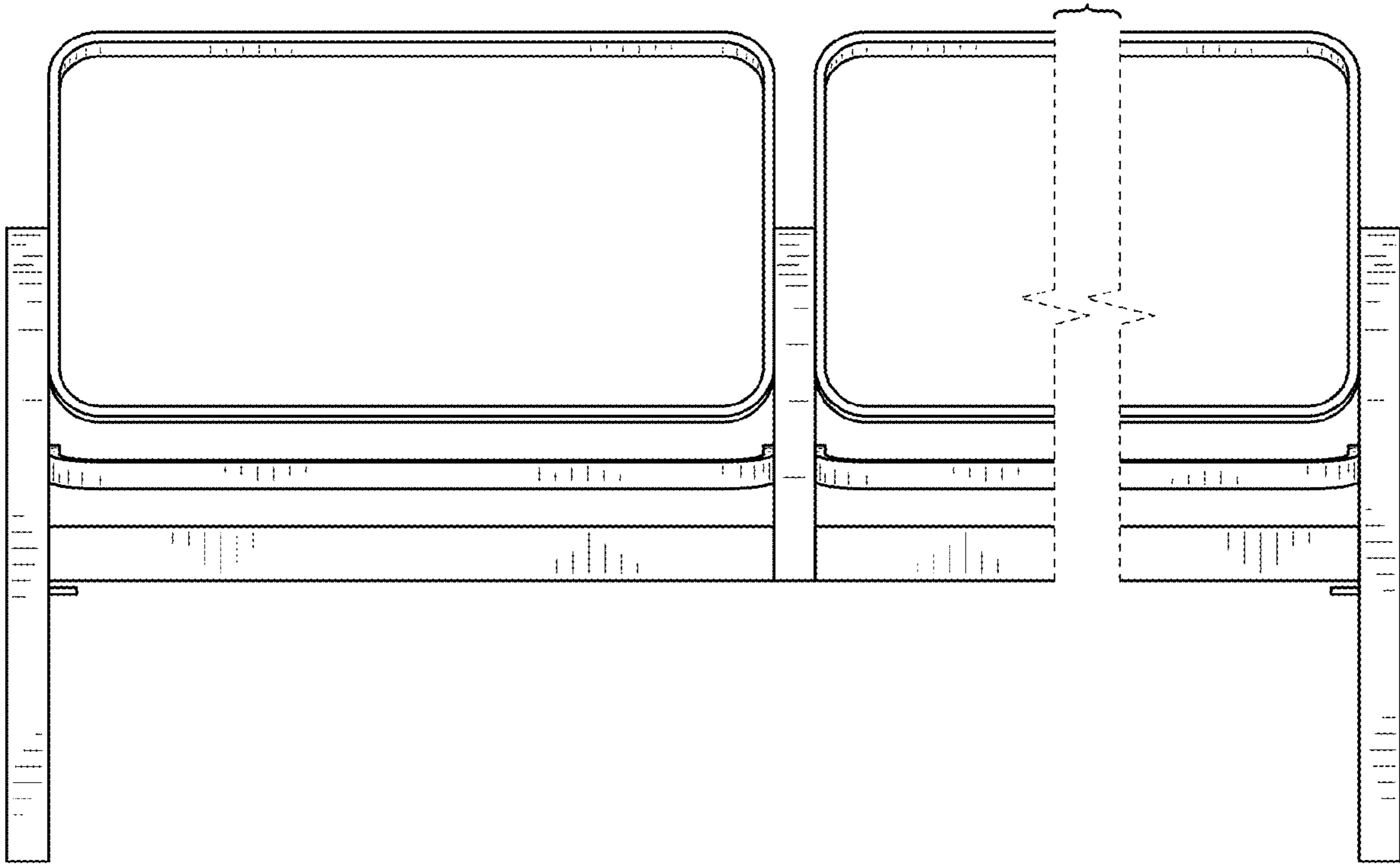


FIG. 10

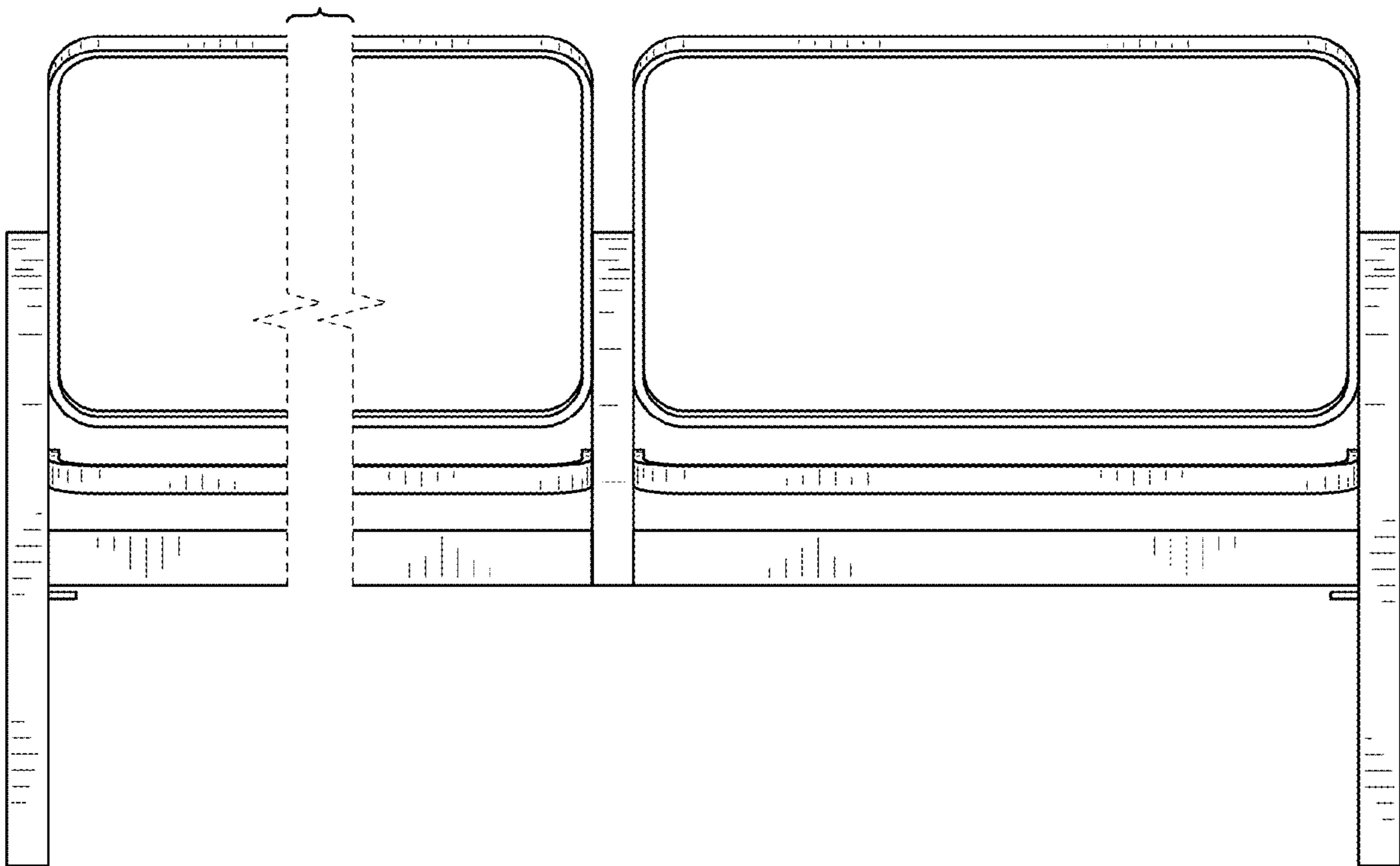


FIG. 11

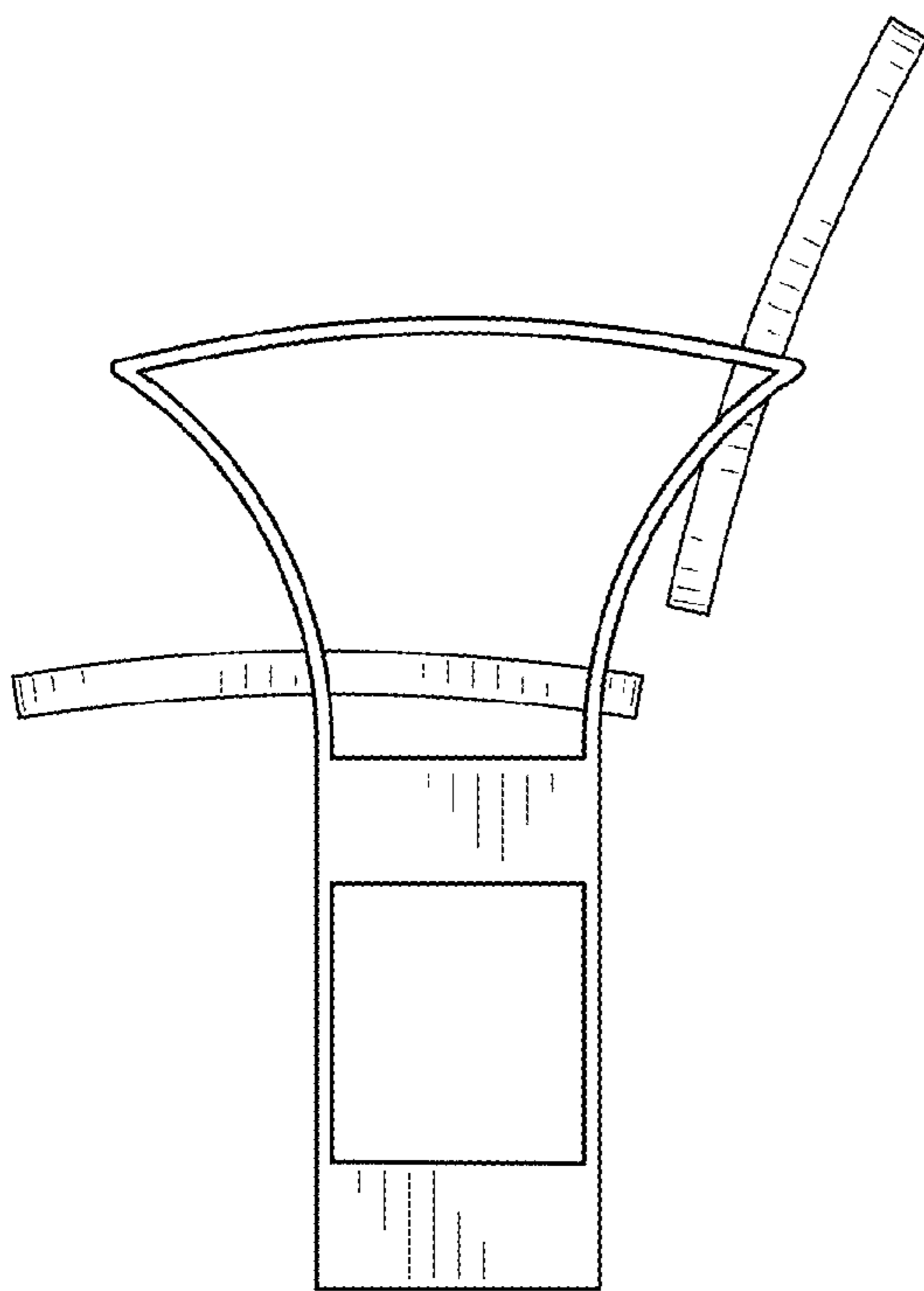


FIG. 12

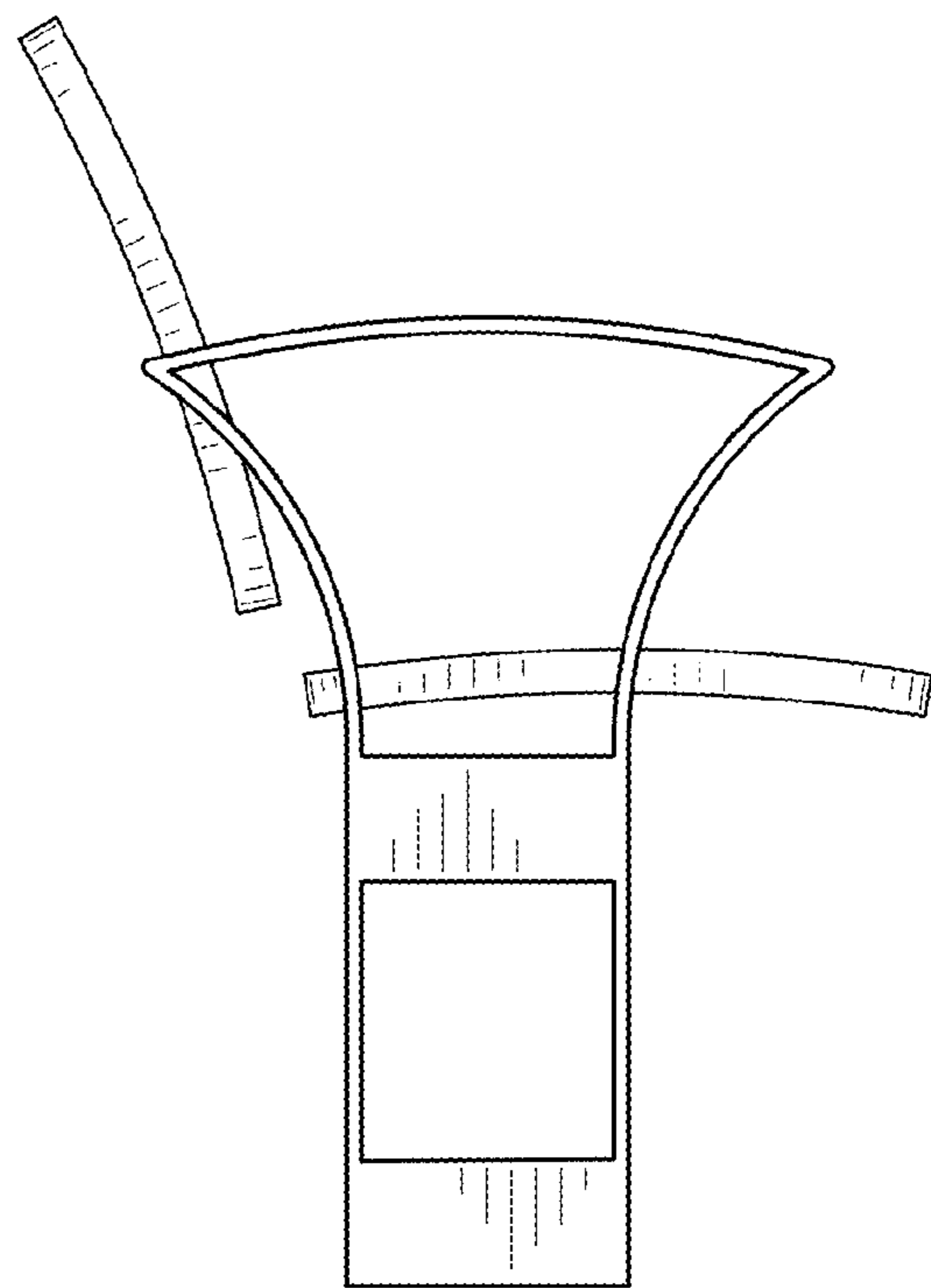


FIG. 13

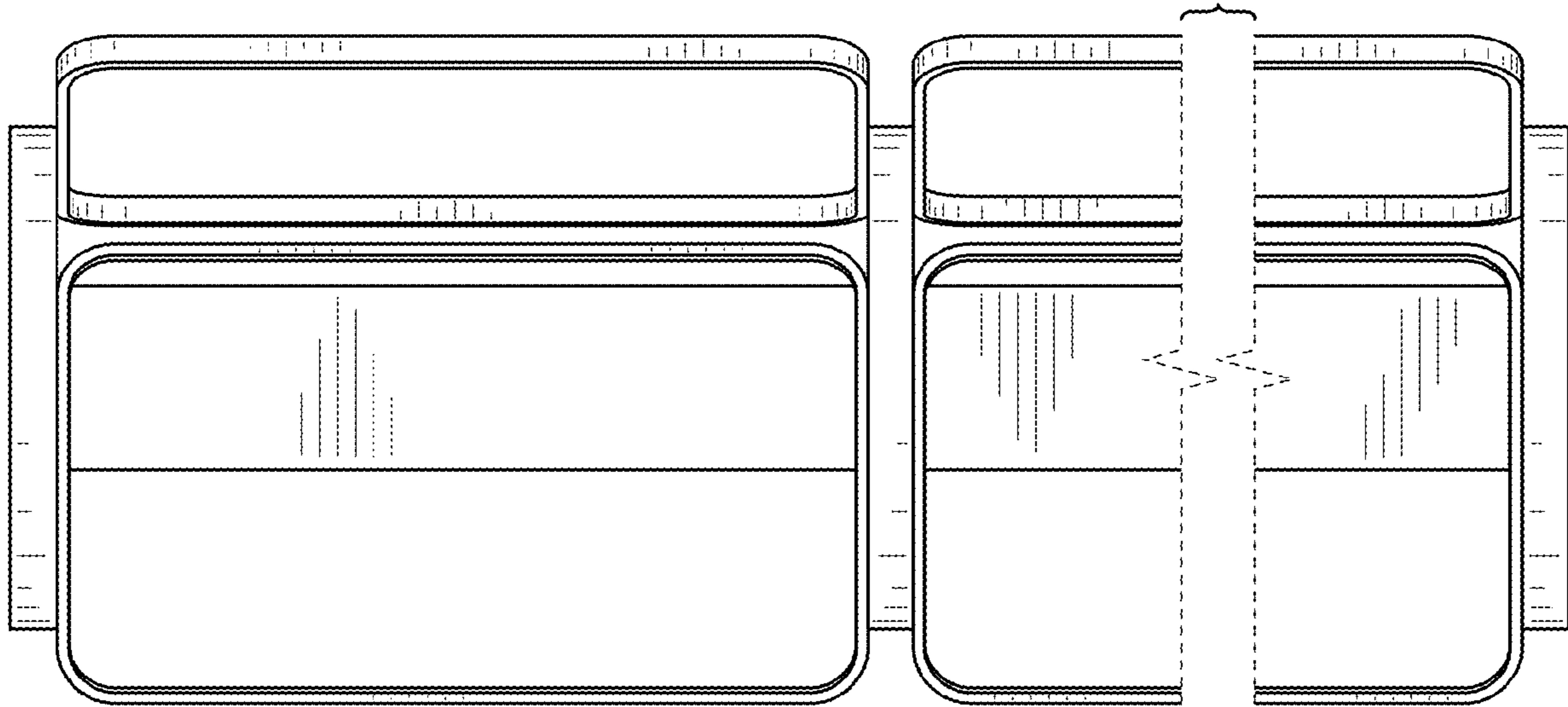


FIG. 14

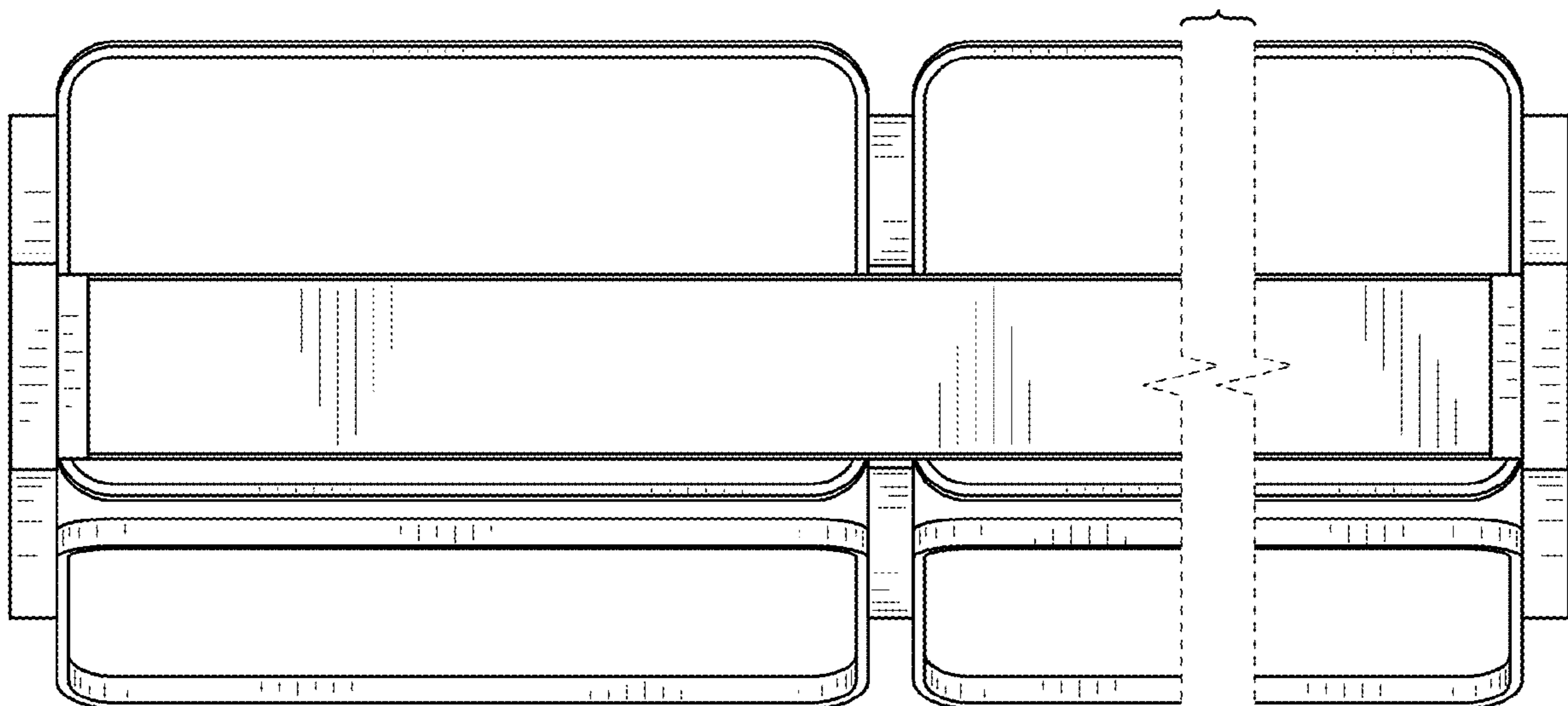


FIG. 15

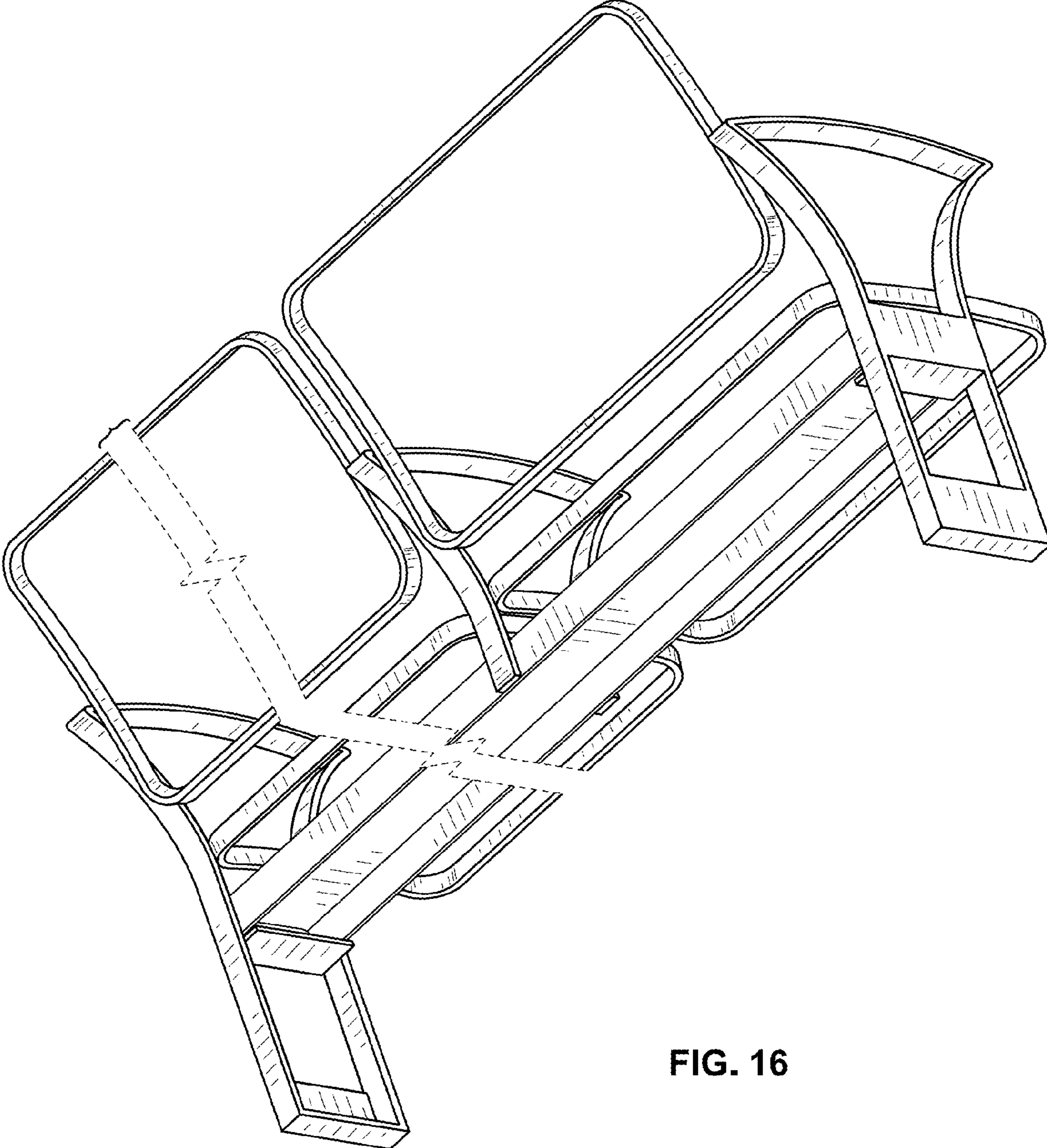


FIG. 16

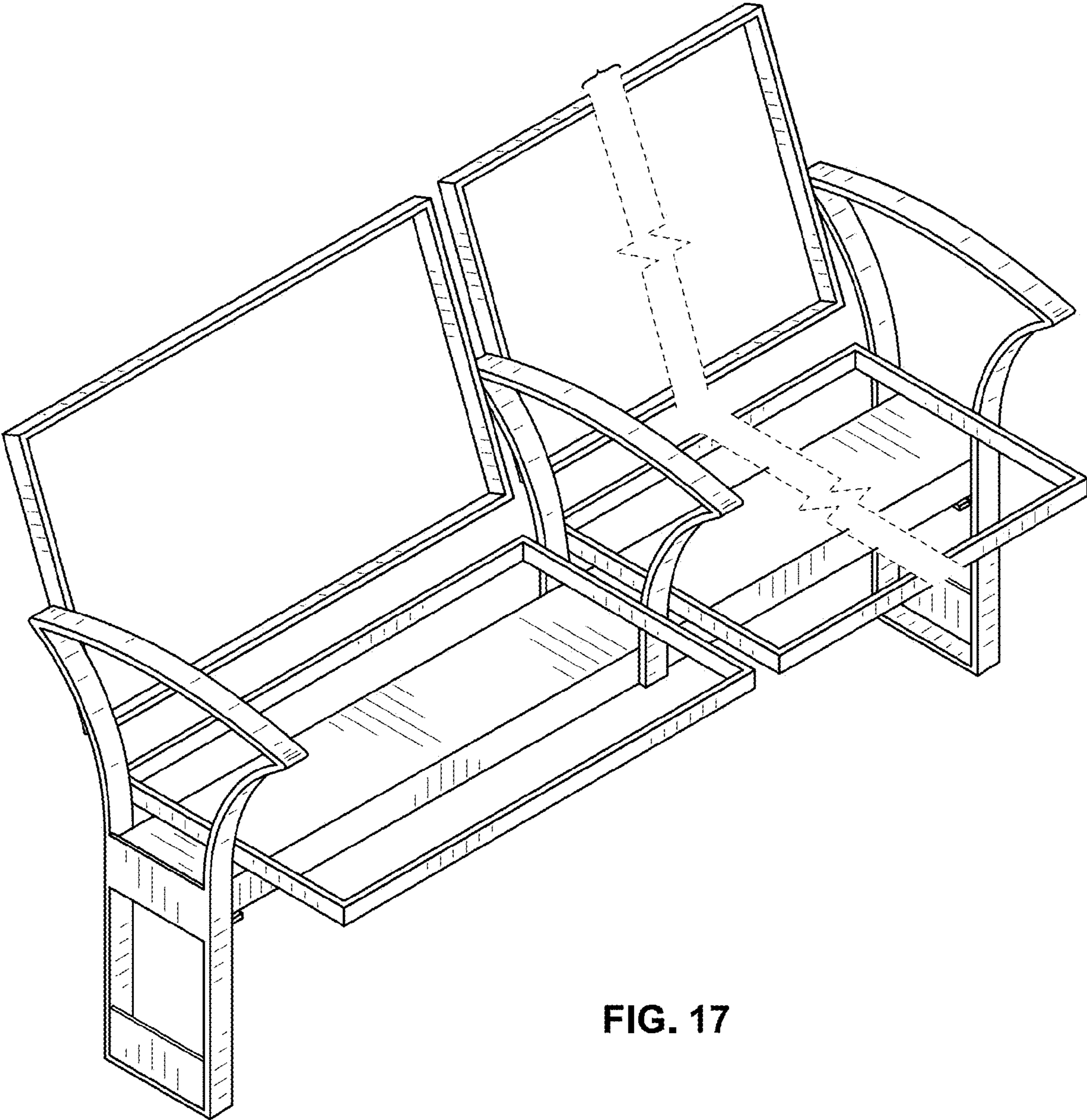


FIG. 17

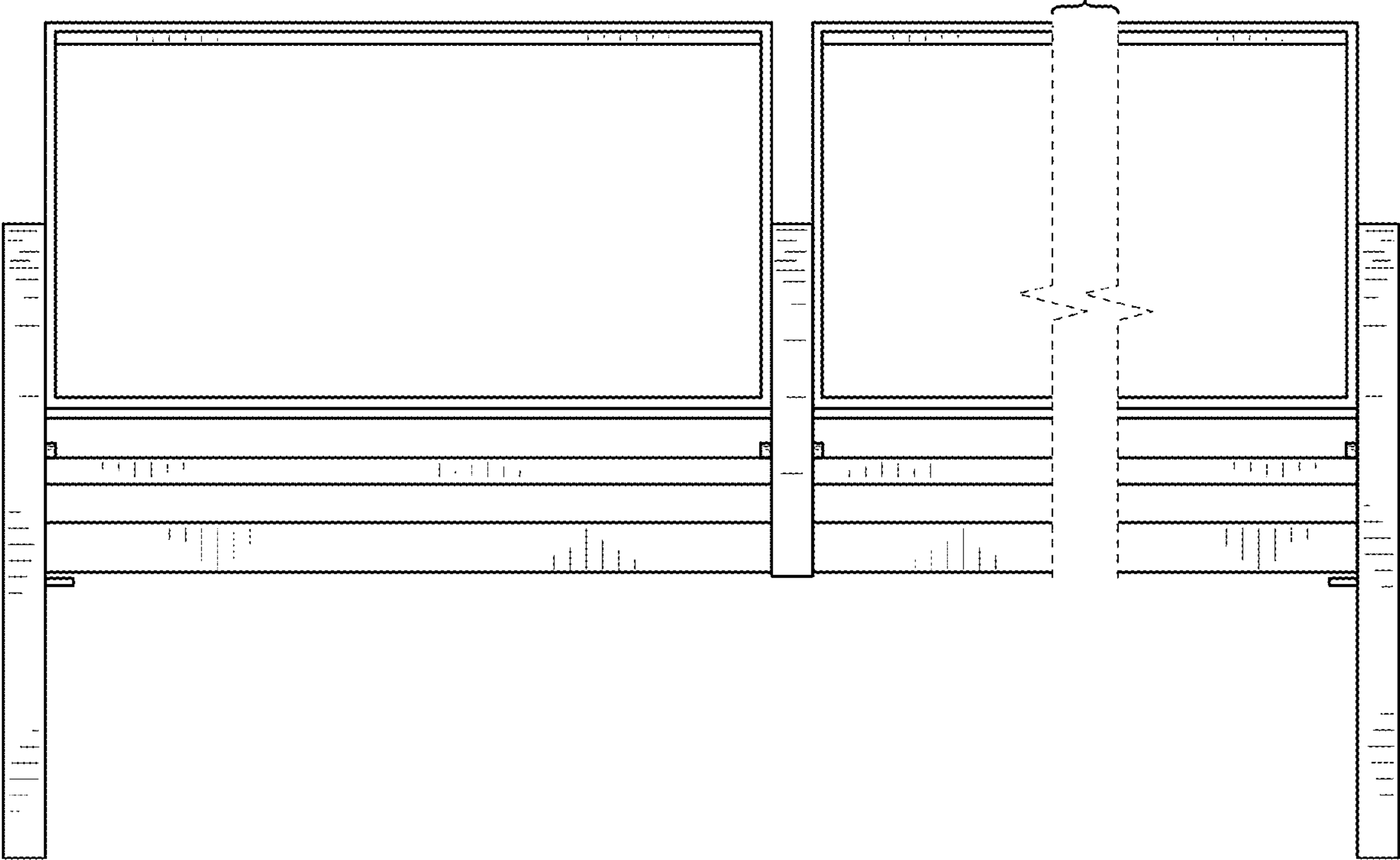


FIG. 18

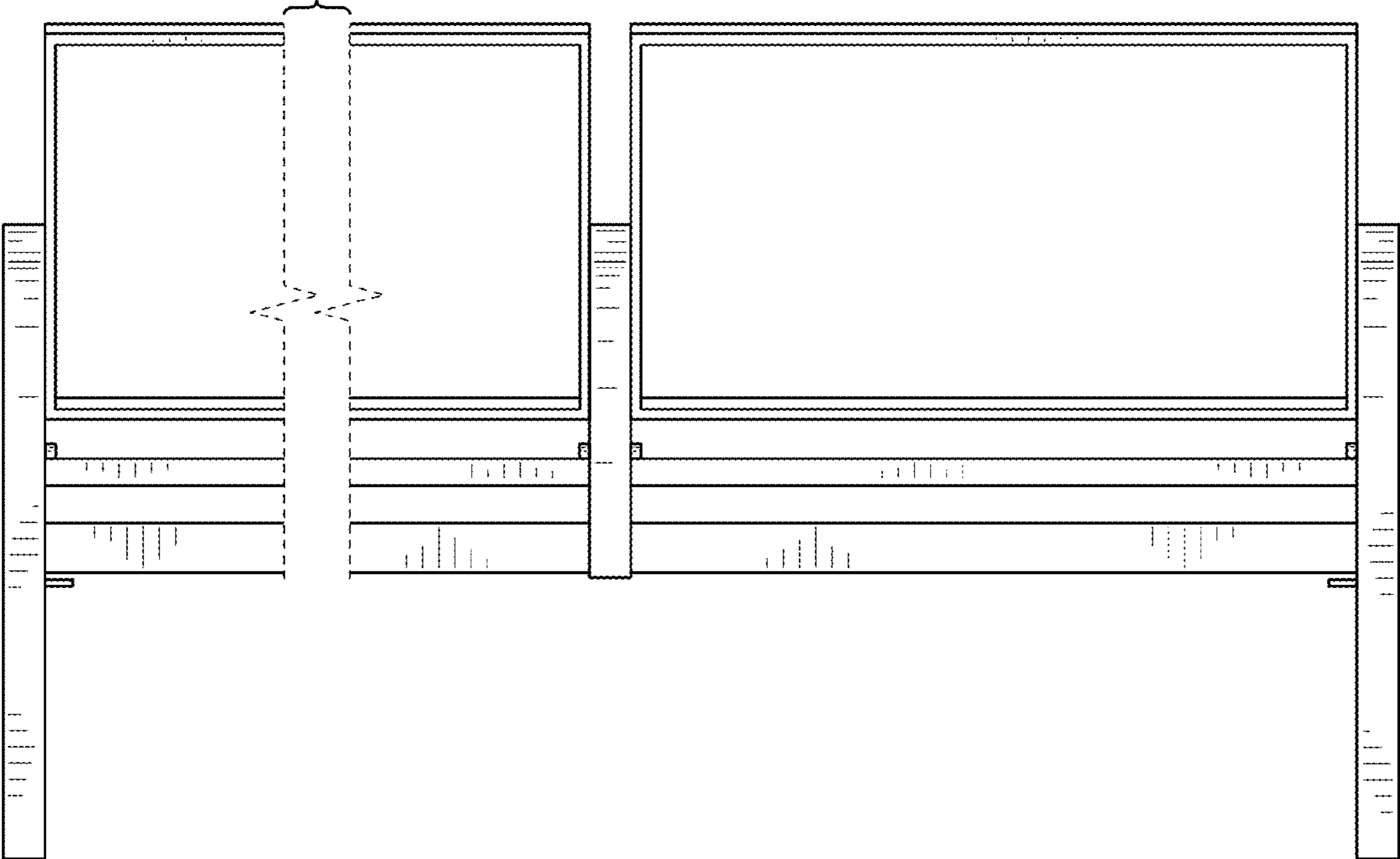


FIG. 19

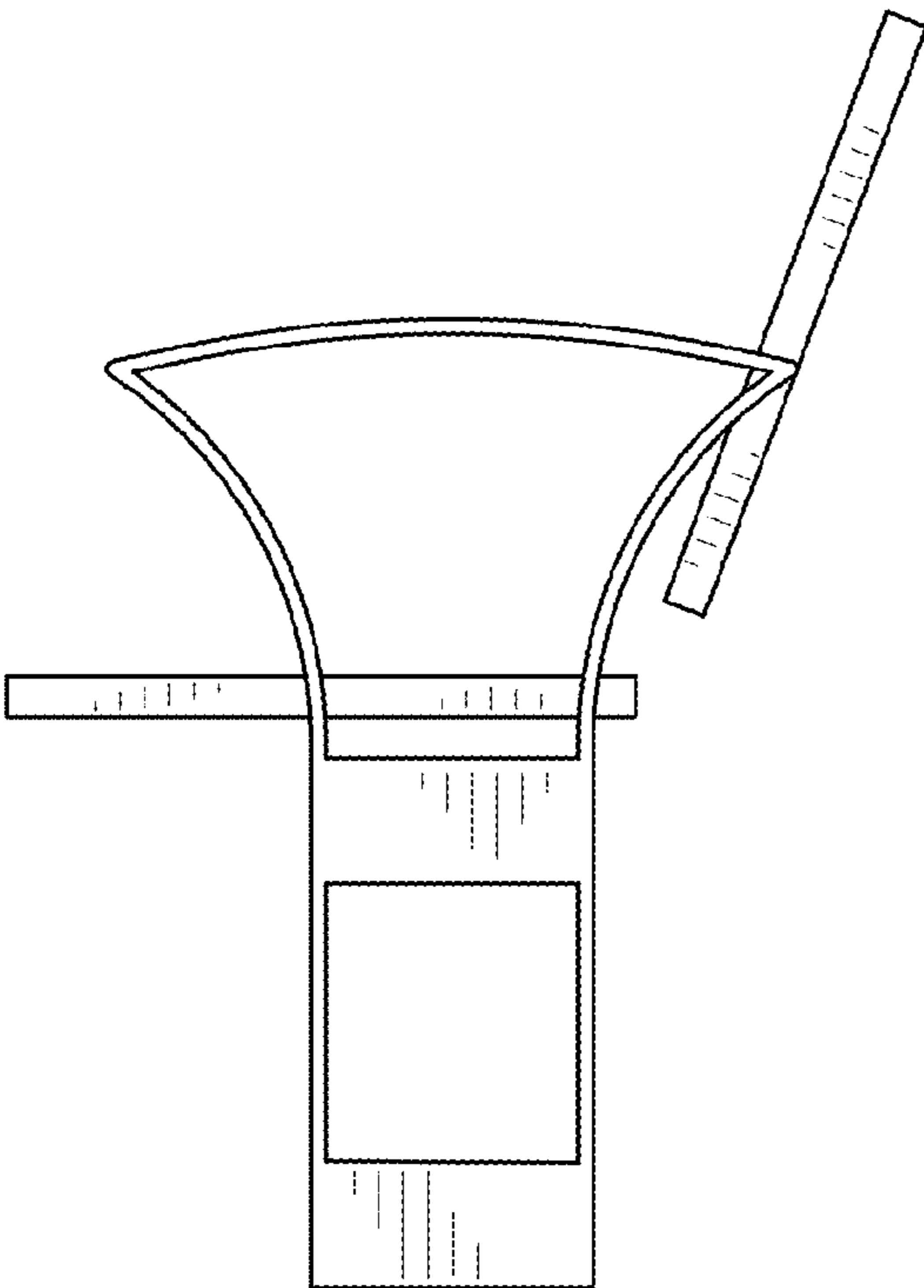


FIG. 20

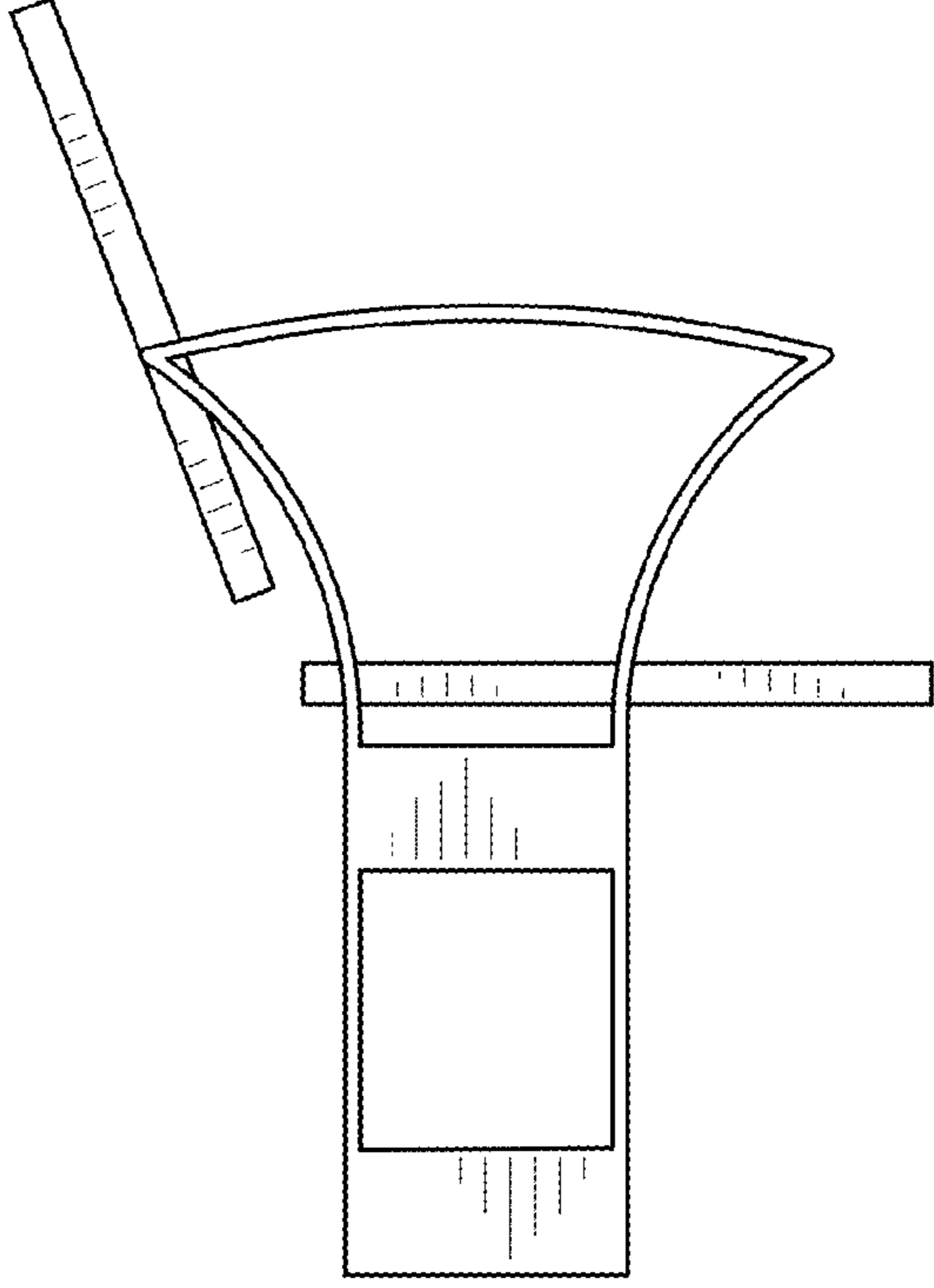


FIG. 21

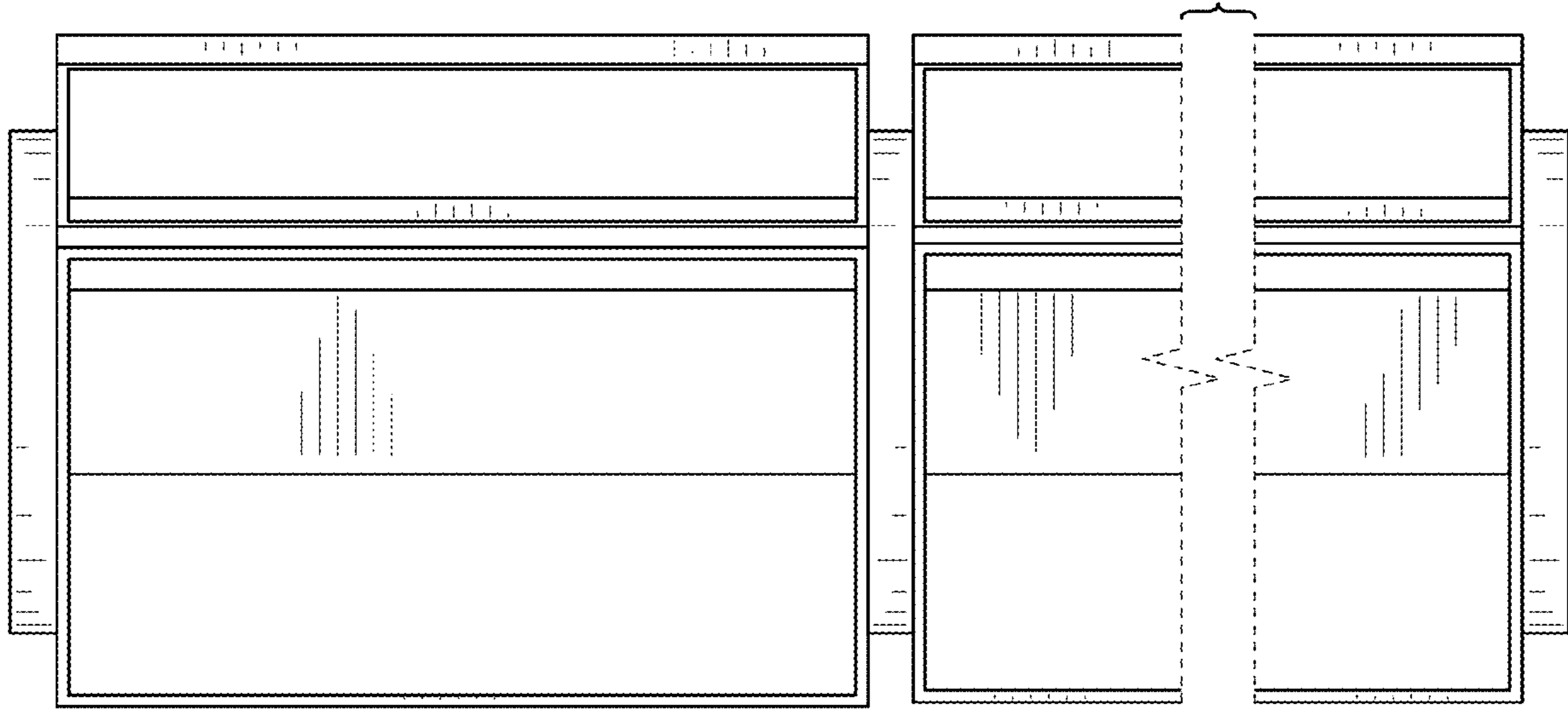


FIG. 22

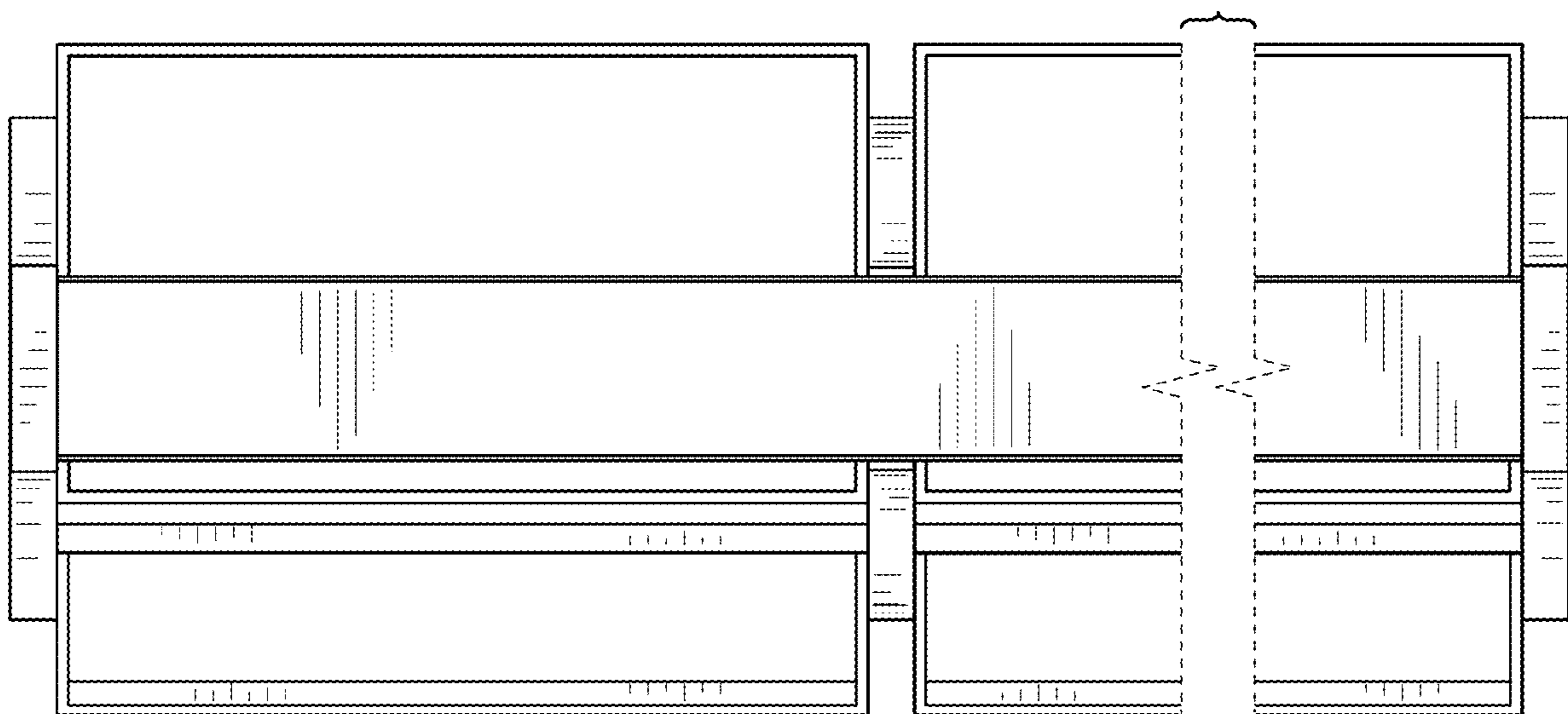


FIG. 23

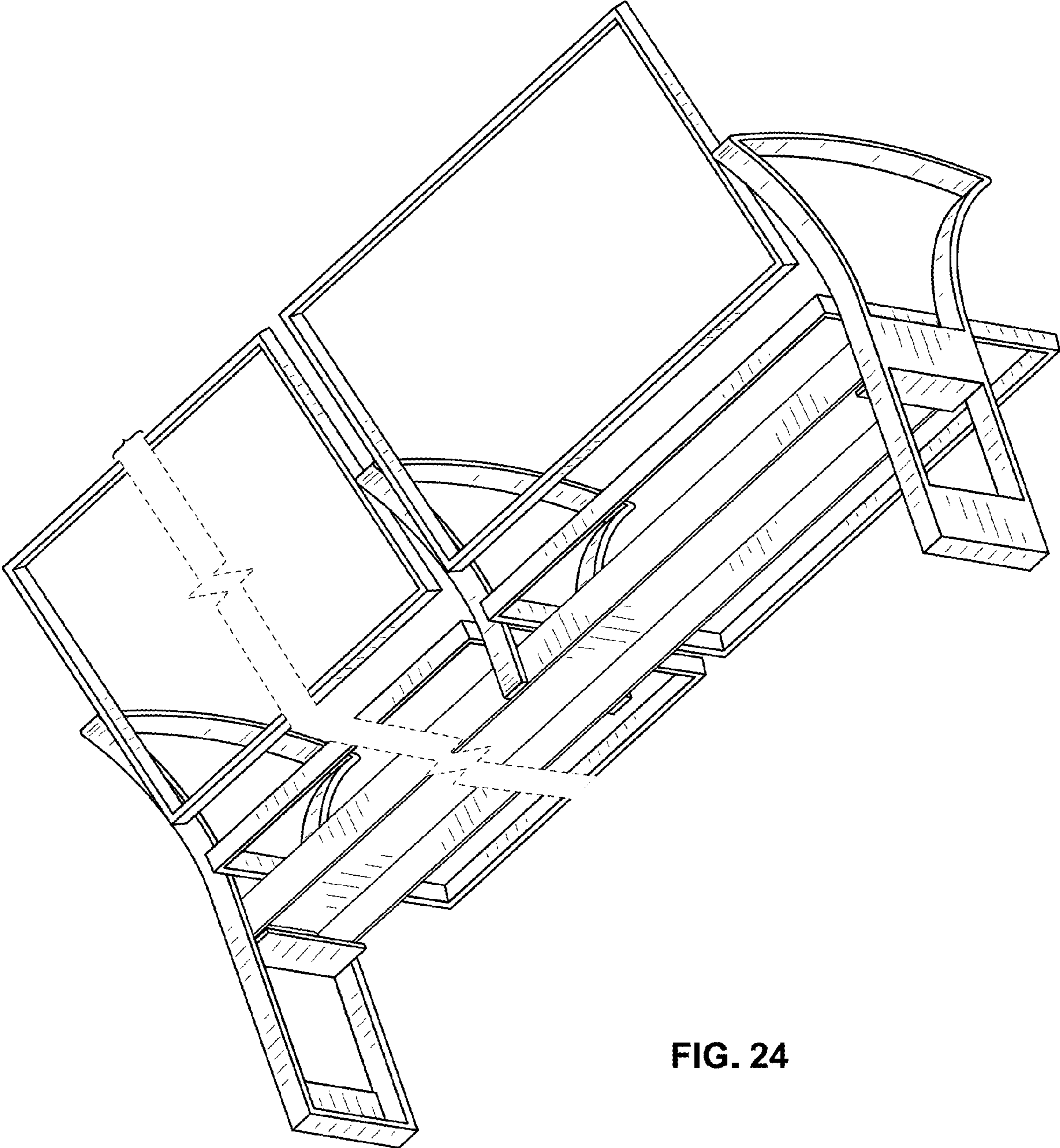


FIG. 24

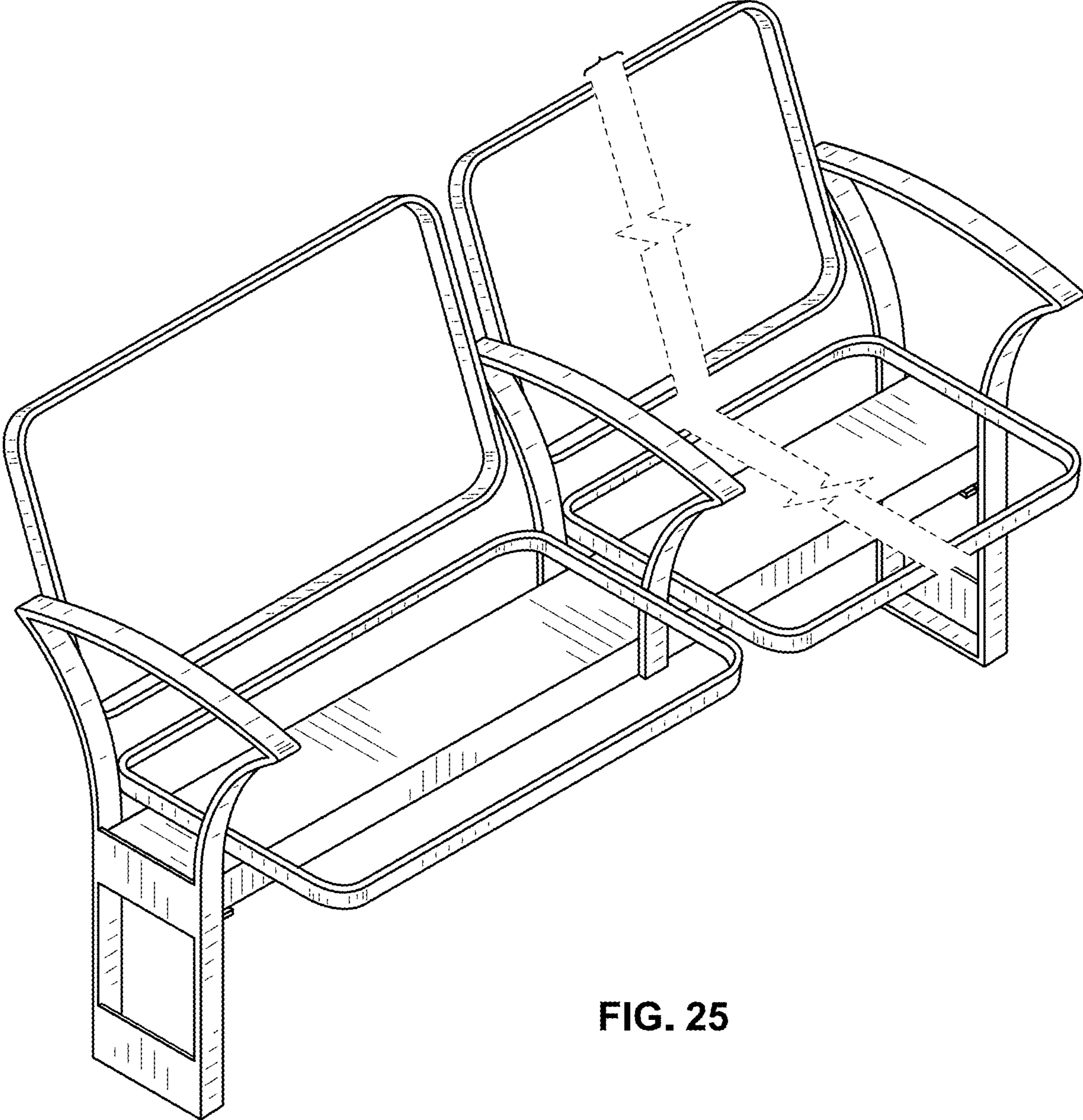


FIG. 25

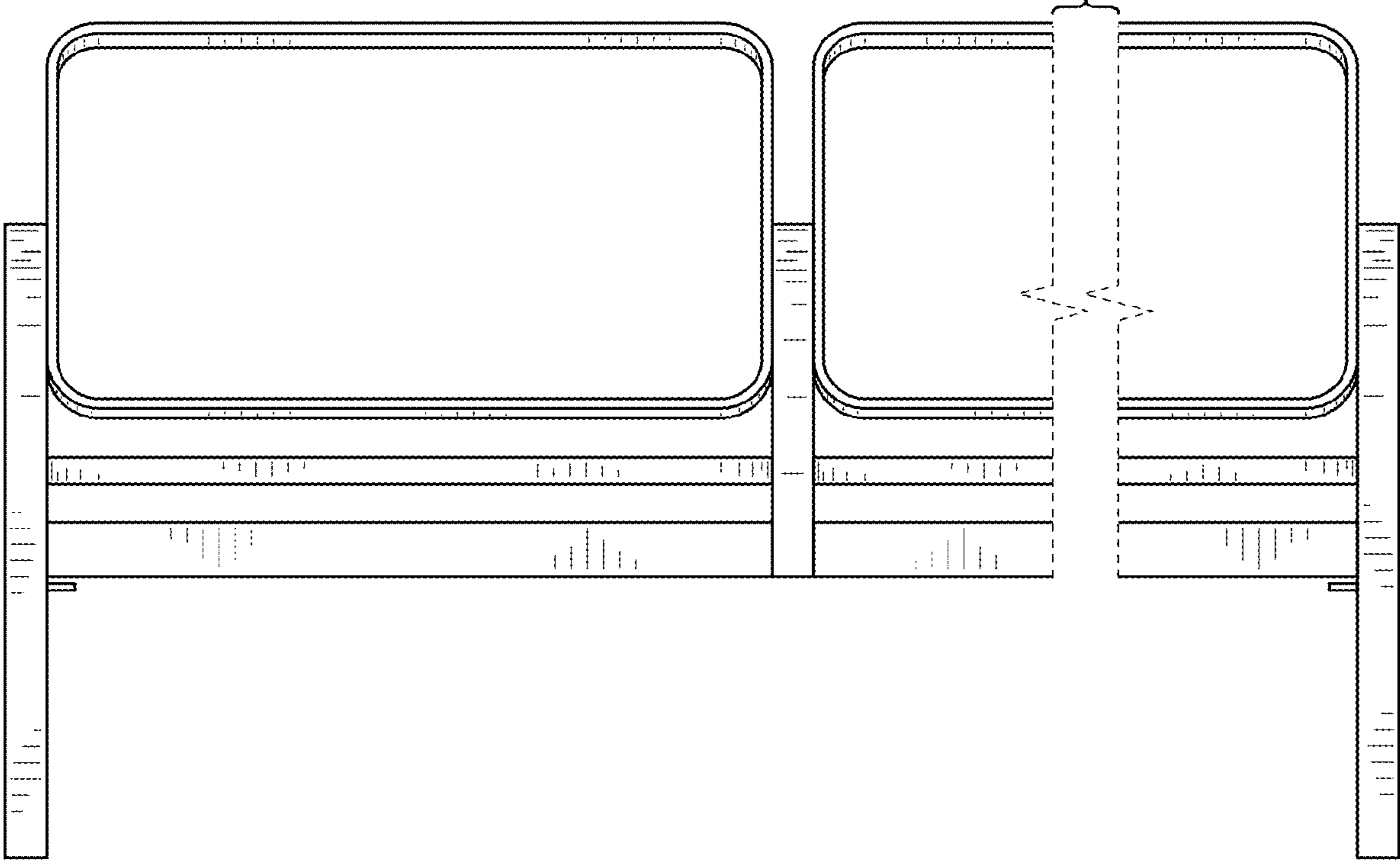


FIG. 26

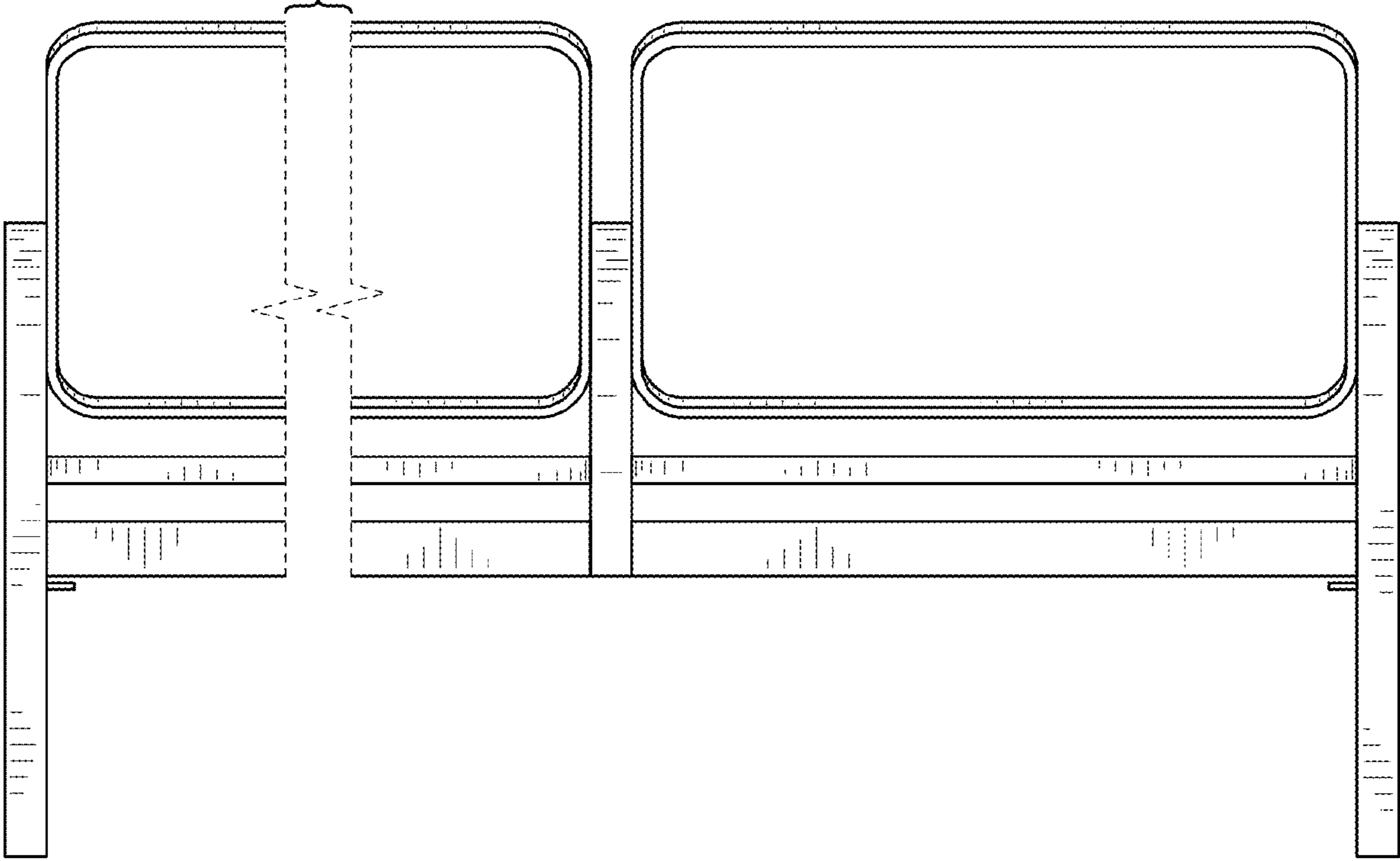


FIG. 27

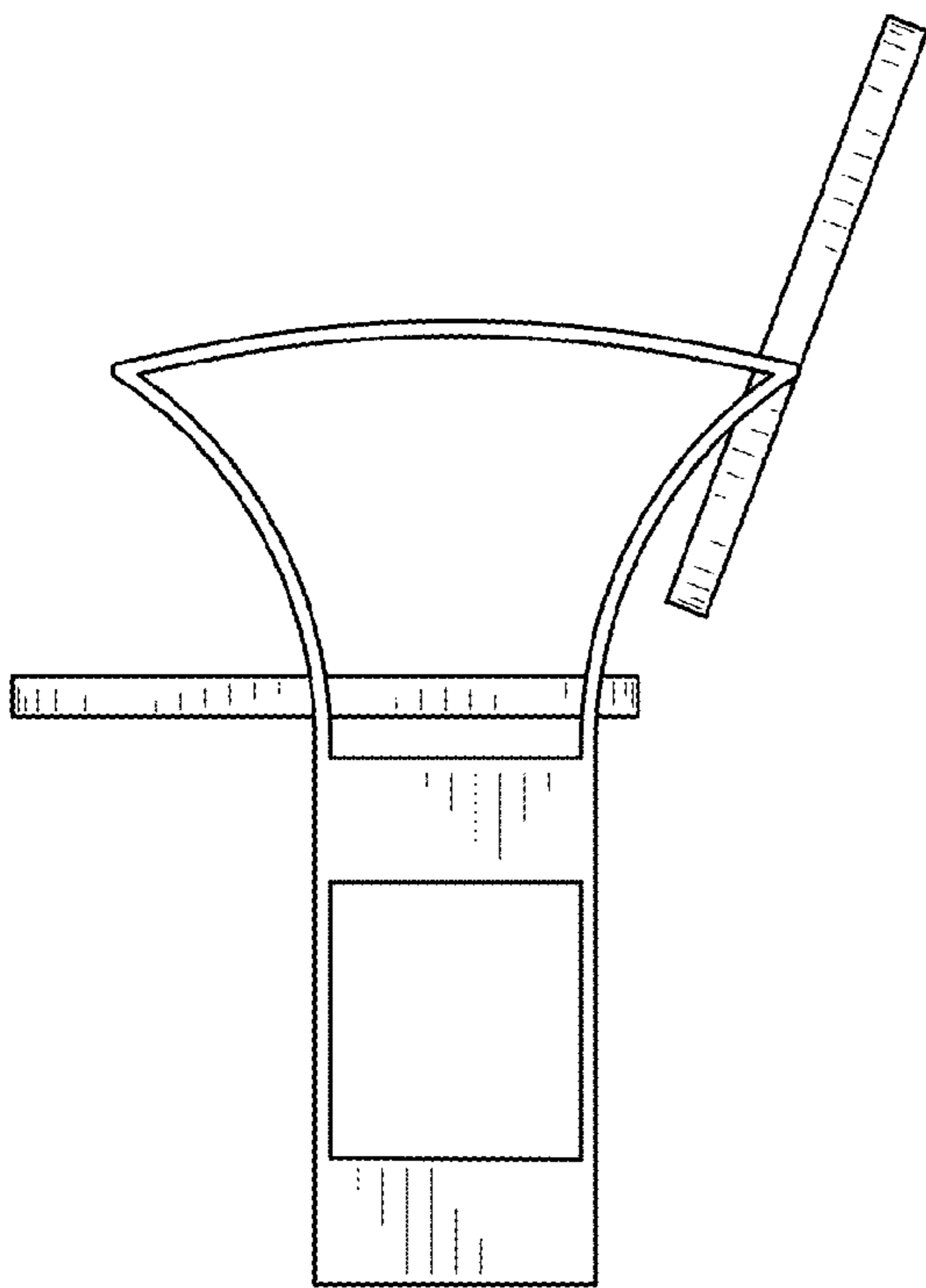


FIG. 28

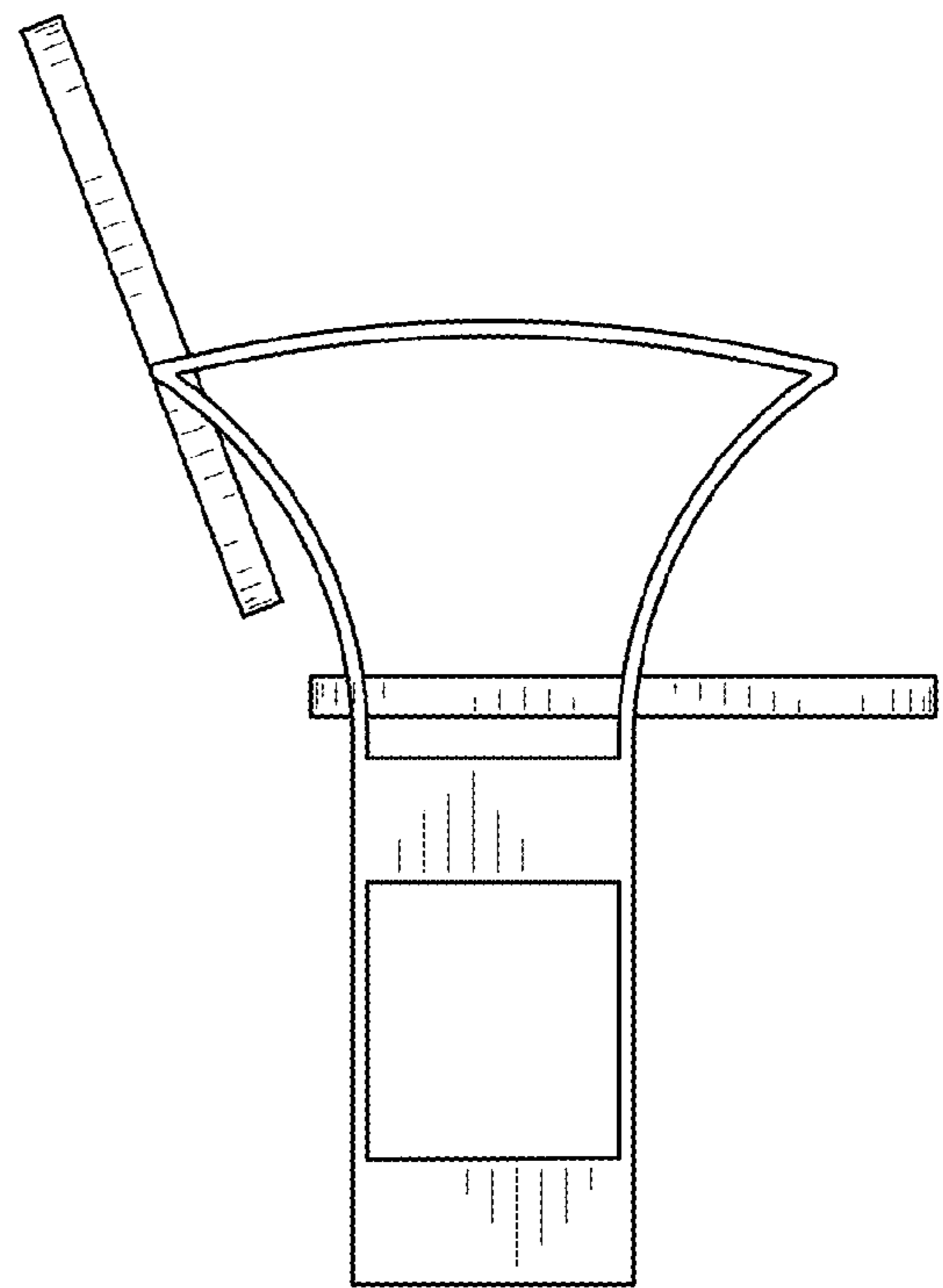


FIG. 29

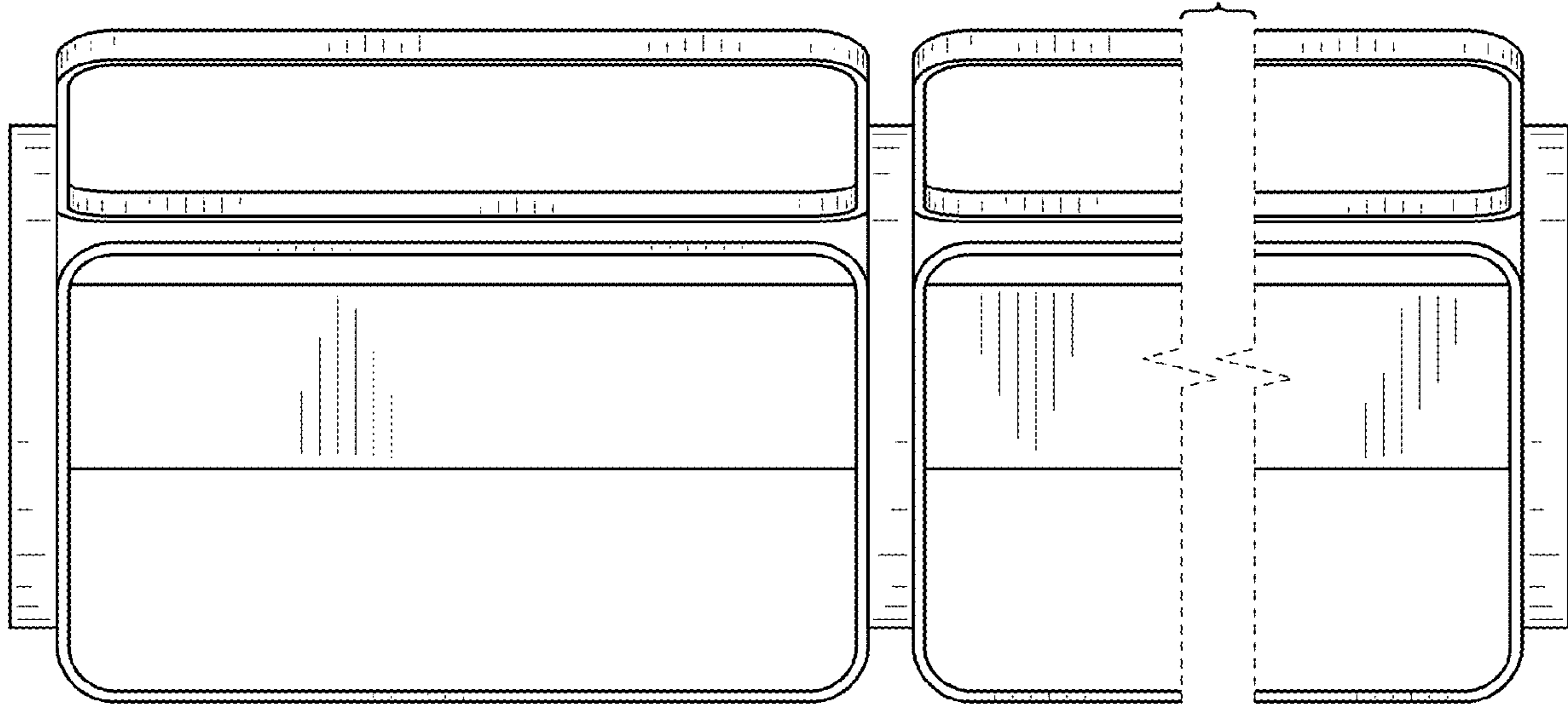


FIG. 30

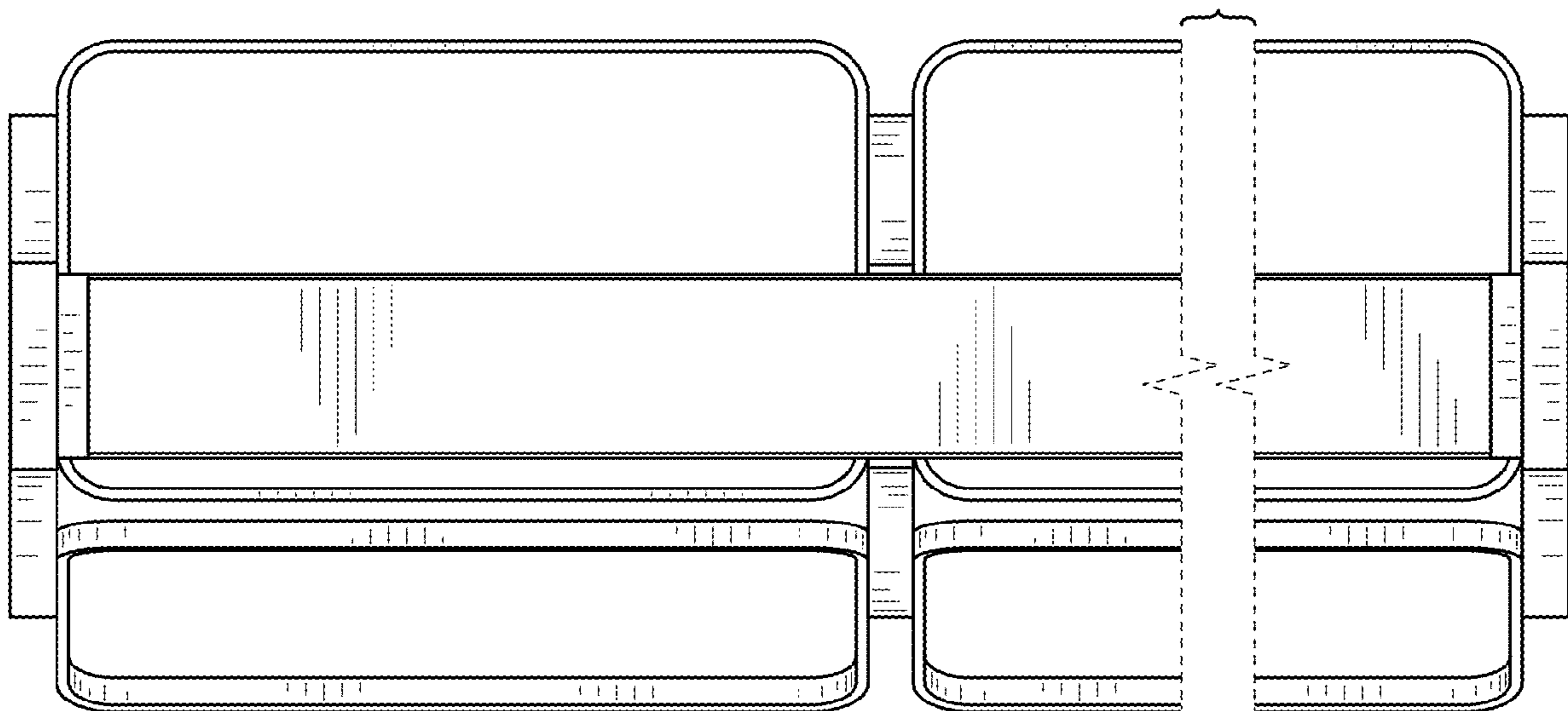


FIG. 31

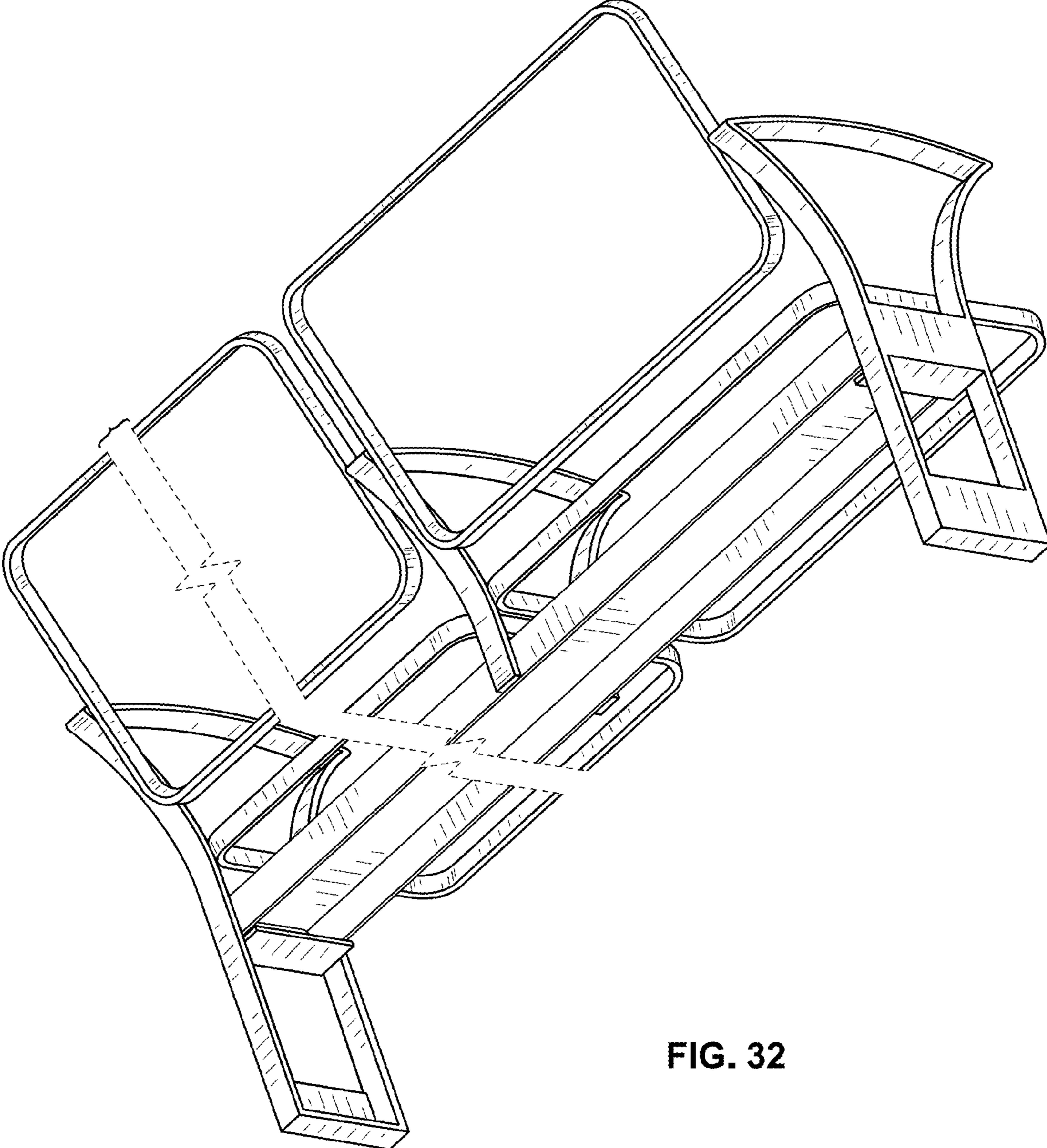


FIG. 32