



US00D891124S

(12) **United States Design Patent**
Zhou

(10) **Patent No.:** **US D891,124 S**
(45) **Date of Patent:** **** Jul. 28, 2020**

- (54) **DIGITAL PICTURE FRAME**
- (71) Applicant: **Shenzhen Harmony Industrial Co., Ltd.**, Shenzhen (CN)
- (72) Inventor: **Sheng Zhou**, Chongqing (CN)
- (**) Term: **15 Years**
- (21) Appl. No.: **29/694,215**
- (22) Filed: **Jun. 7, 2019**
- (51) **LOC (12) Cl.** **06-07**
- (52) **U.S. Cl.**
USPC **D6/310**
- (58) **Field of Classification Search**
USPC D6/300-314; D10/3; D14/371, 375
CPC G09G 2380/16
See application file for complete search history.

(56) **References Cited**

U.S. PATENT DOCUMENTS

- D597,321 S * 8/2009 Frankel D6/310
- D597,974 S * 8/2009 Iseki D14/126
- D601,143 S * 9/2009 Oikawa D14/336
- D625,929 S * 10/2010 Mitchell D14/371
- D637,822 S * 5/2011 Utsunomiya D6/308
- D679,610 S * 4/2013 Kang D10/24

- D834,428 S * 11/2018 Jiang D10/3
- D834,429 S * 11/2018 Jiang D10/3
- D862,250 S * 10/2019 Xie D10/24
- D862,909 S * 10/2019 Zhou D6/308
- D882,966 S * 5/2020 Jiang D6/308
- D884,366 S * 5/2020 Gao D6/308
- D884,367 S * 5/2020 Gao D6/308

* cited by examiner

Primary Examiner — W. A. Teddy Falloway
(74) *Attorney, Agent, or Firm* — HYIP

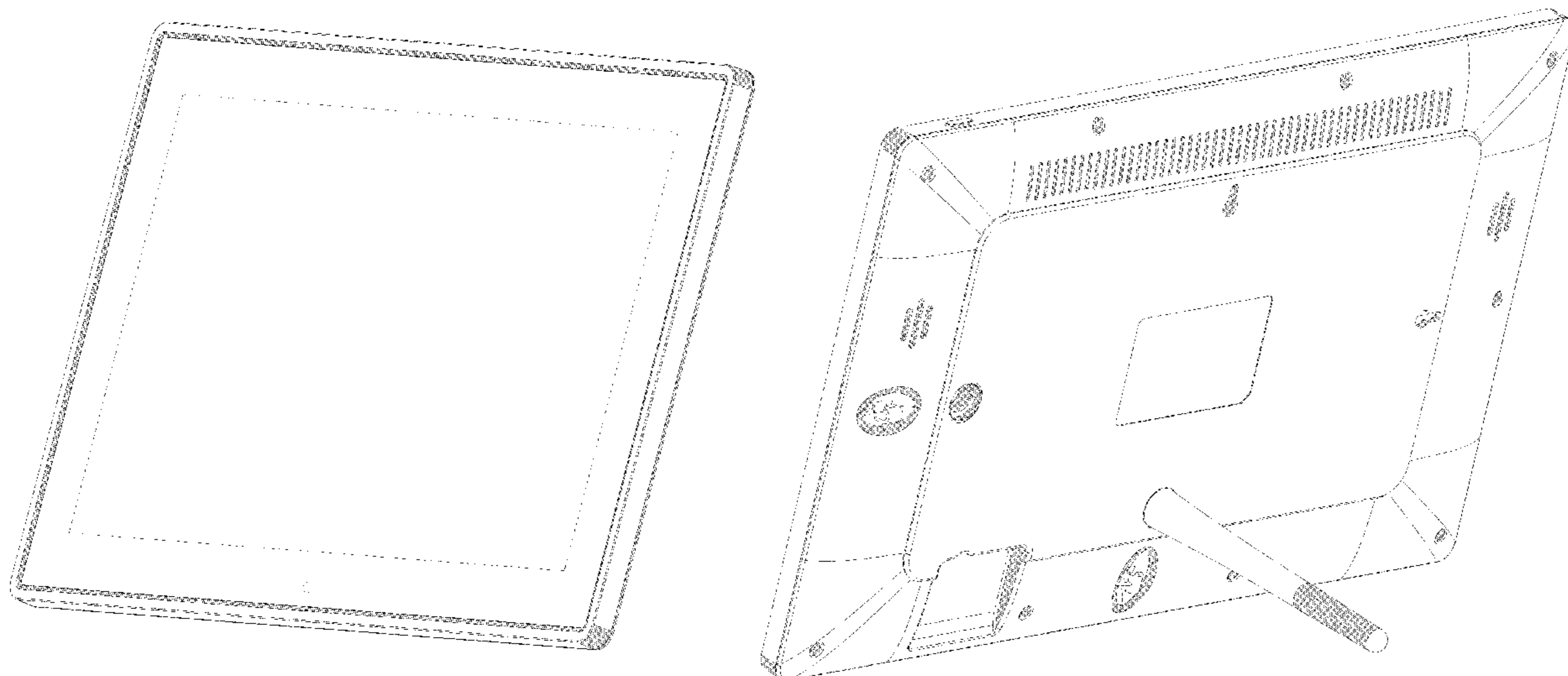
(57) **CLAIM**

The ornamental design for a digital picture frame, as shown and described.

DESCRIPTION

FIG. 1 is a front perspective view of a digital picture frame showing my new design;
 FIG. 2 is a front elevational view thereof;
 FIG. 3 is a rear elevational view thereof;
 FIG. 4 is a left side elevational view thereof;
 FIG. 5 is a right side elevational view thereof;
 FIG. 6 is a top plan view thereof;
 FIG. 7 is a bottom plan view thereof; and,
 FIG. 8 is a rear perspective view thereof.
 The broken lines shown in FIG. 1 and FIG. 2 illustrate portions of the digital picture frame that form no part of the claimed design.

1 Claim, 8 Drawing Sheets



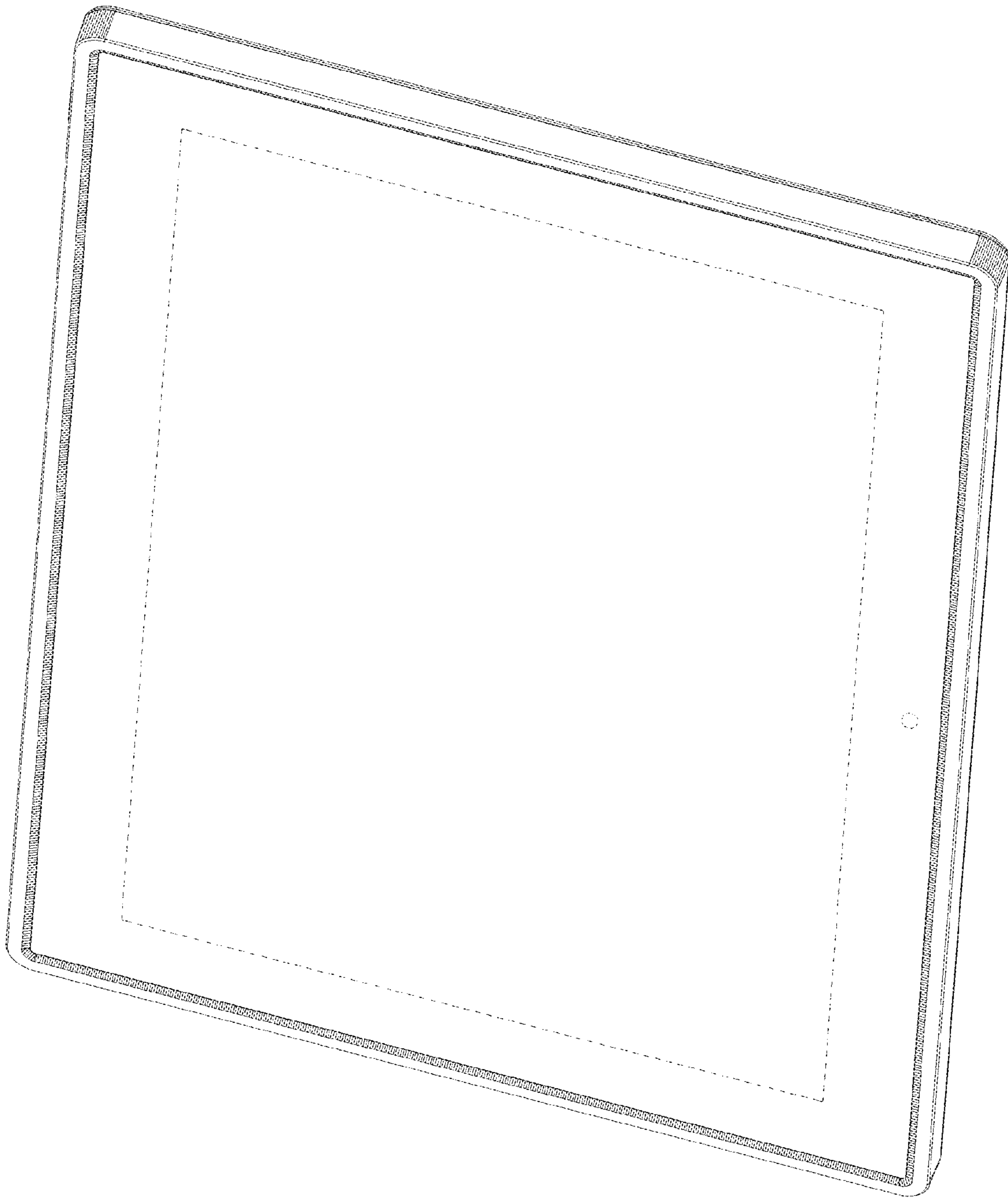


FIG. 1

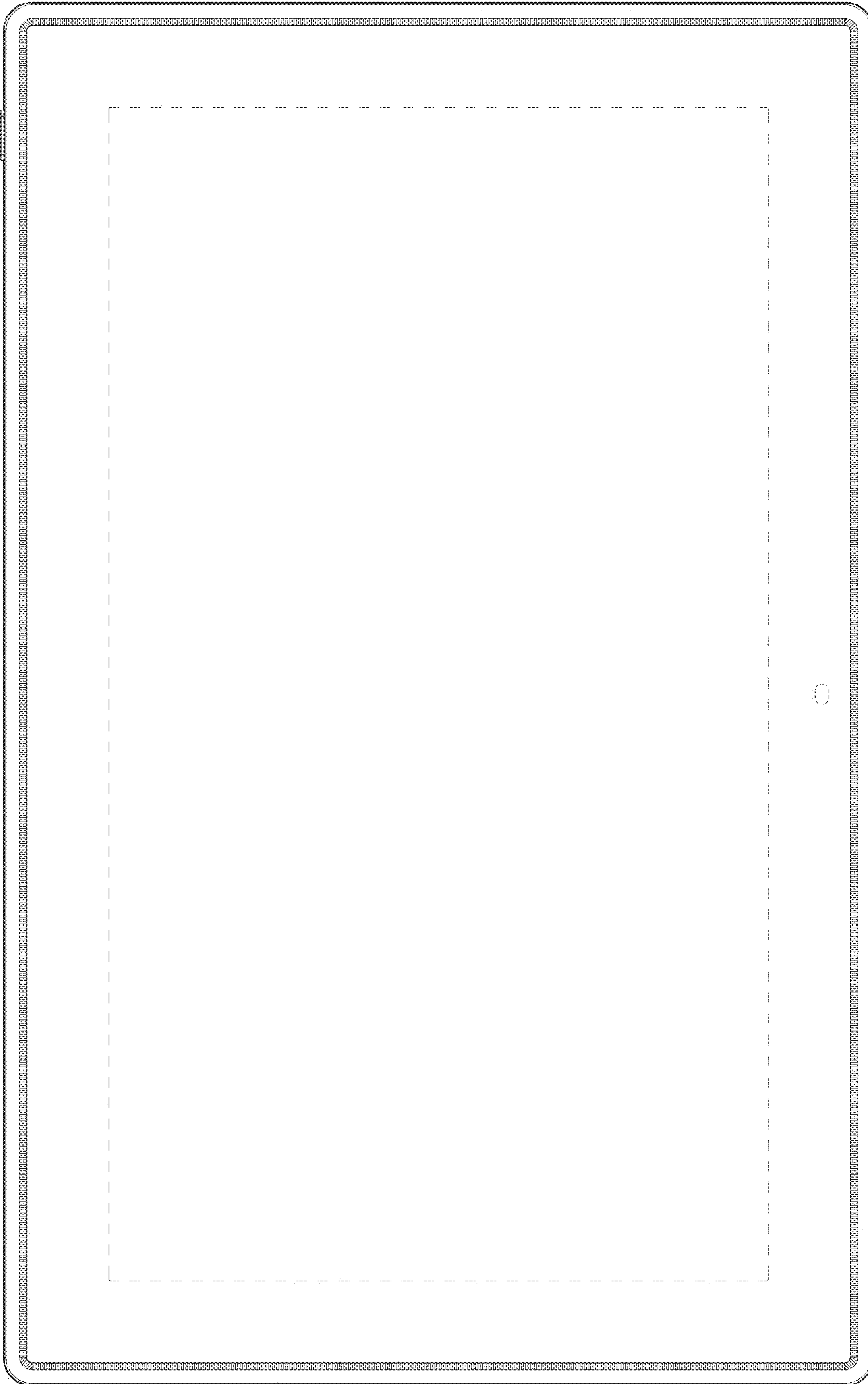


FIG. 2

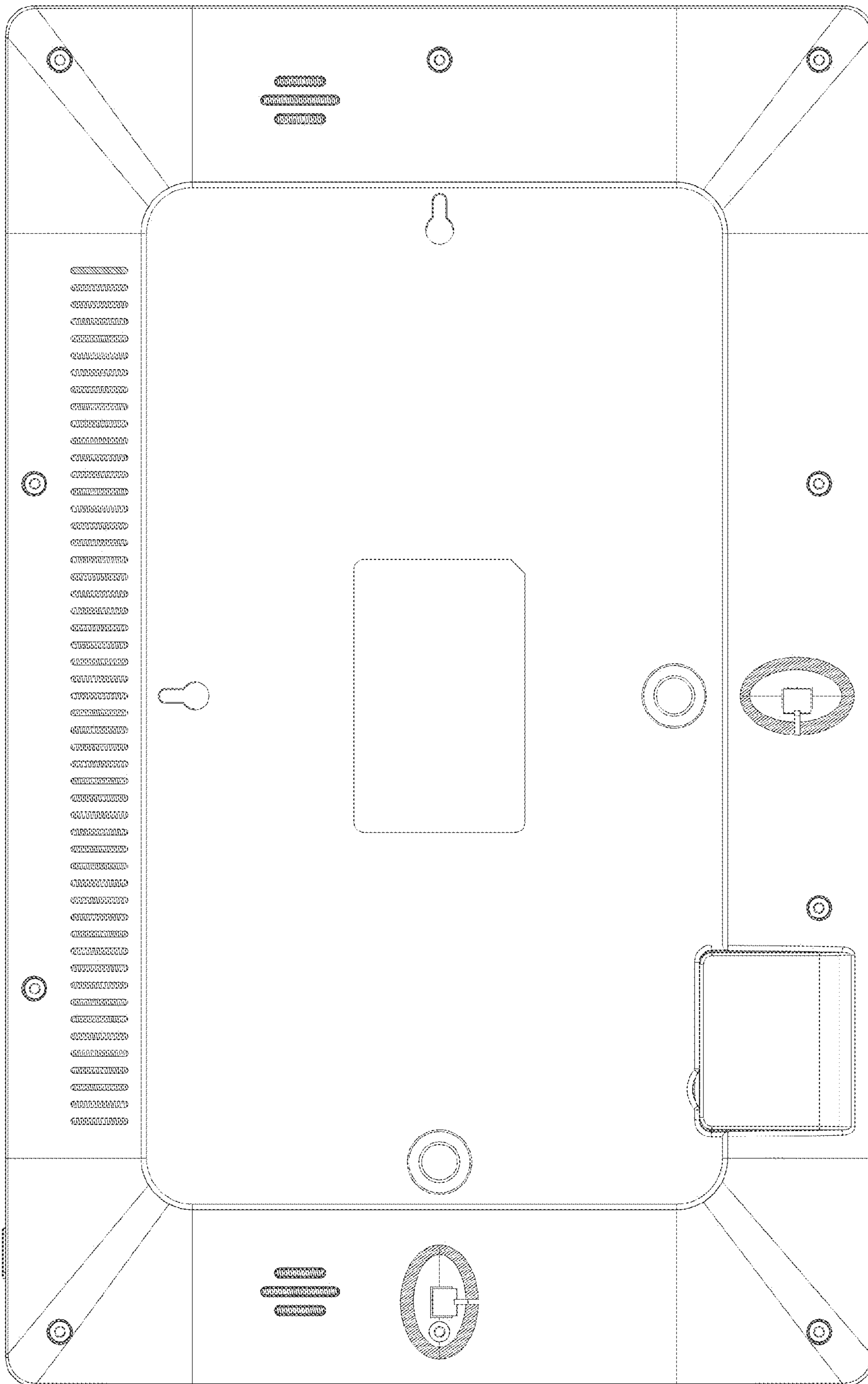


FIG. 3

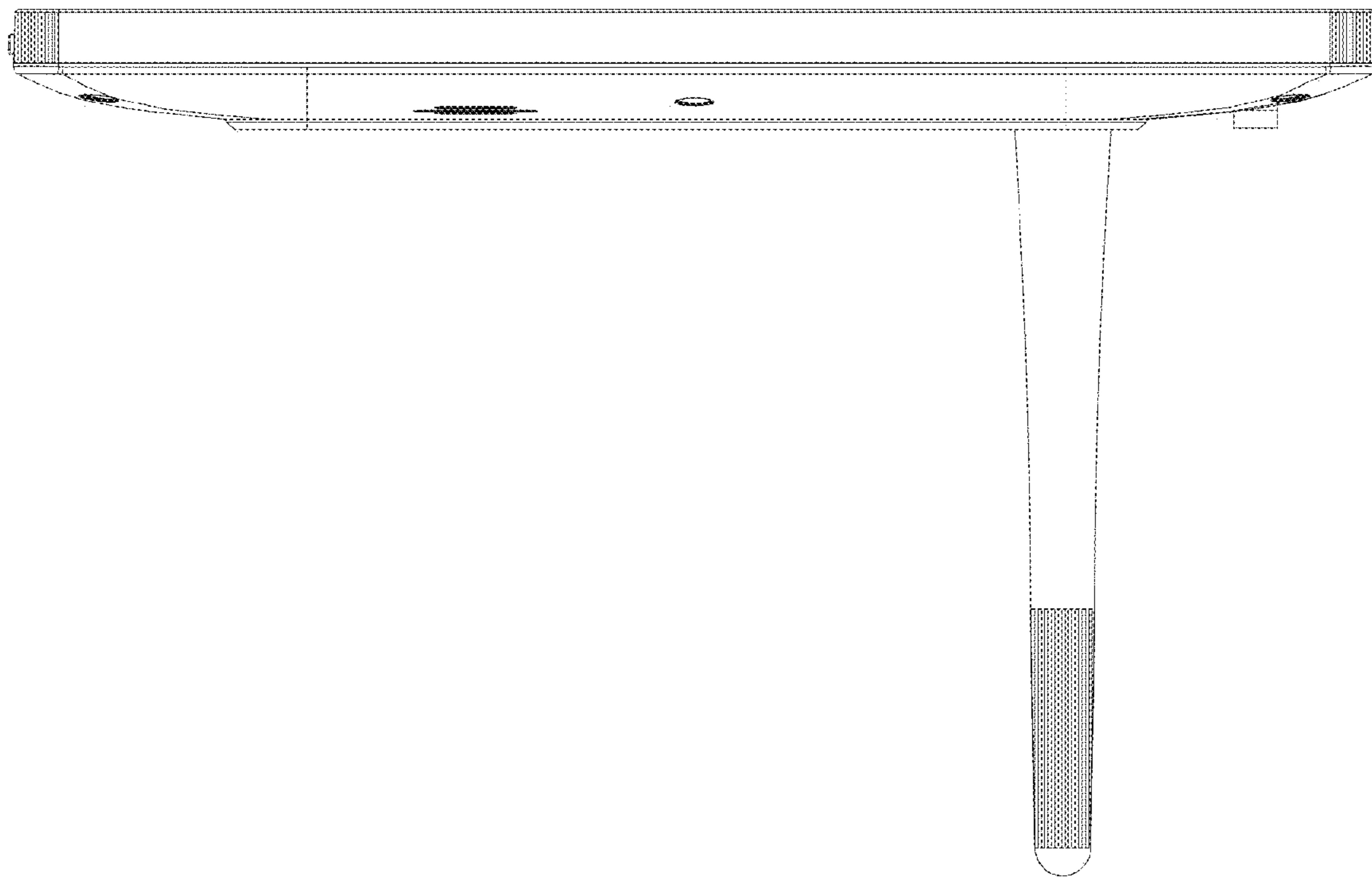


FIG. 4

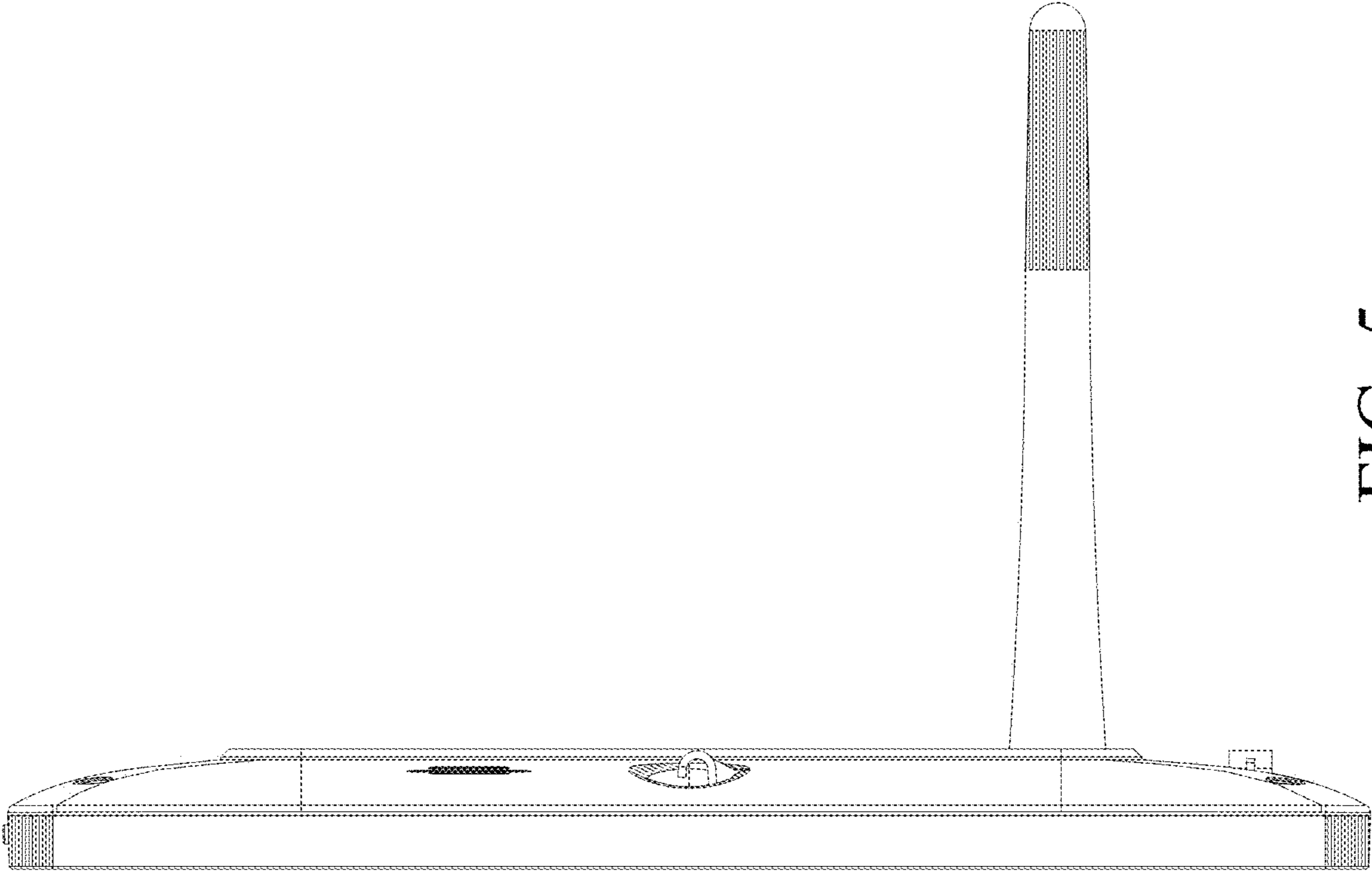


FIG. 5

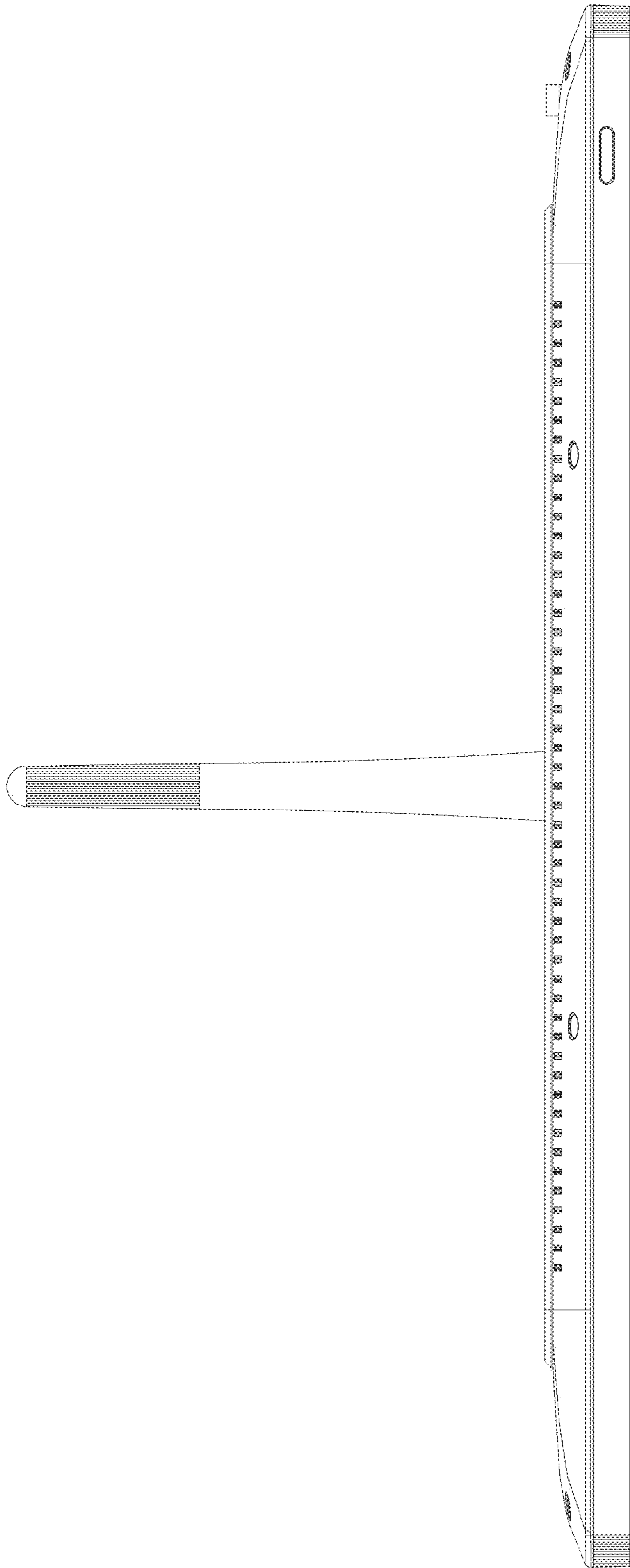


FIG. 6

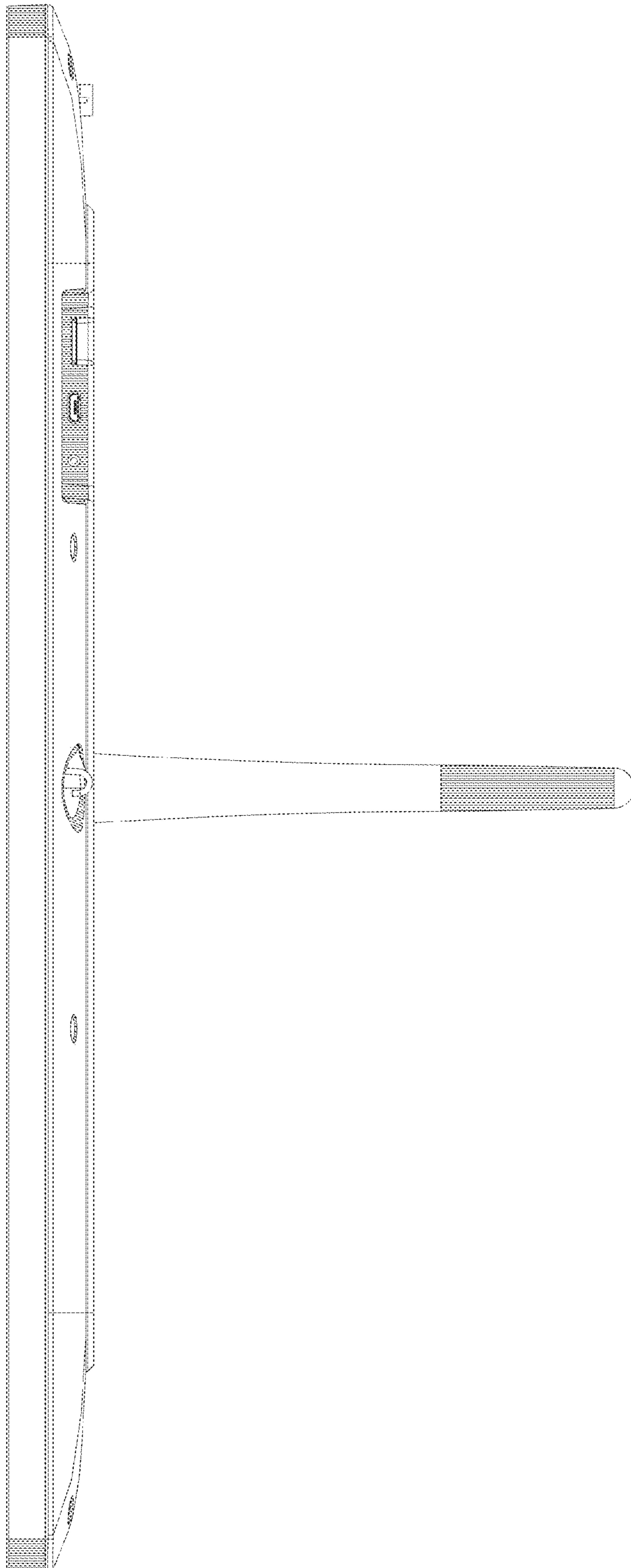


FIG. 7

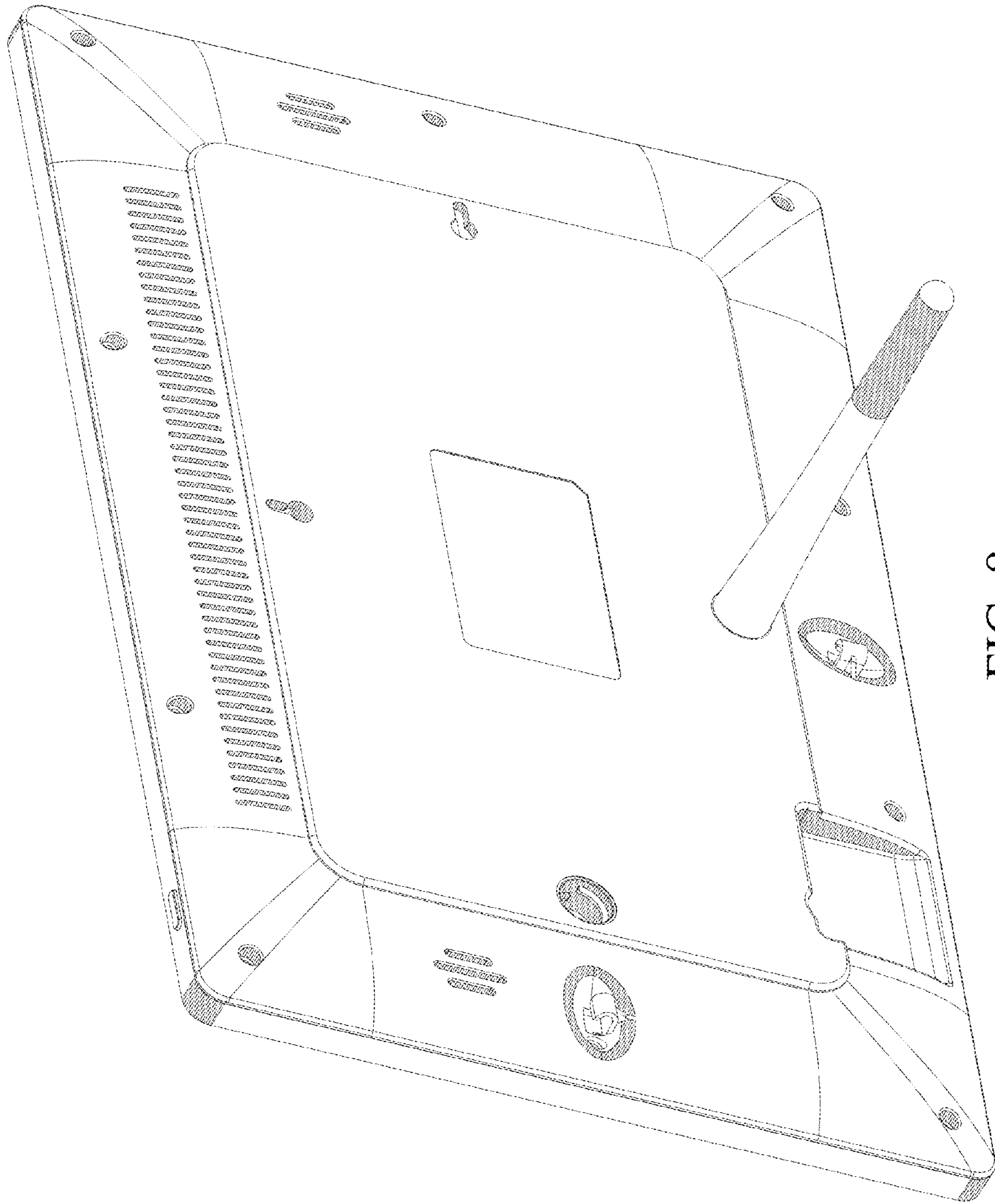


FIG. 8