



US00D891123S

(12) **United States Design Patent**  
**Li et al.**

(10) **Patent No.:** **US D891,123 S**  
(45) **Date of Patent:** **\*\* Jul. 28, 2020**

(54) **MINI DESKTOP MAKEUP MIRROR**

(71) Applicant: **SHENZHEN KEAN DIGITAL CO., LTD.**, Shenzhen (CN)

(72) Inventors: **Jun Li**, Shenzhen (CN); **Yanyu Meng**, Shenzhen (CN)

(\*\*) Term: **15 Years**

(21) Appl. No.: **29/692,967**

(22) Filed: **May 30, 2019**

(51) **LOC (12) Cl.** ..... **06-07**

(52) **U.S. Cl.**  
USPC ..... **D6/310; D6/309**

(58) **Field of Classification Search**  
USPC ..... D6/300–314  
CPC ..... A45D 42/00; A45D 42/24; A45D 42/14;  
A45D 42/16; A45D 42/10; A45D 42/08;  
F21V 21/0965; F21V 21/30; F21V  
33/004; A47G 1/00; A47G 1/06; A47G  
1/0616; A47G 1/14; A47G 1/141  
See application file for complete search history.

(56) **References Cited**

**U.S. PATENT DOCUMENTS**

|              |        |        |       |         |
|--------------|--------|--------|-------|---------|
| D509,369 S * | 9/2005 | Snell  | ..... | D6/310  |
| D701,050 S * | 3/2014 | Yang   | ..... | D6/309  |
| D730,065 S * | 5/2015 | Tsai   | ..... | D6/310  |
| D736,001 S * | 8/2015 | Yang   | ..... | D6/309  |
| D779,836 S * | 2/2017 | Bailey | ..... | D6/309  |
| D793,099 S * | 8/2017 | Bailey | ..... | D14/172 |
| D825,940 S * | 8/2018 | Liu    | ..... | D6/309  |

|                   |         |           |       |                       |
|-------------------|---------|-----------|-------|-----------------------|
| D840,699 S *      | 2/2019  | Xie       | ..... | D6/309                |
| D846,288 S *      | 4/2019  | Yang      | ..... | D6/309                |
| D871,084 S *      | 12/2019 | Pestl     | ..... | D6/309                |
| D874,161 S *      | 2/2020  | Yang      | ..... | D6/309                |
| D874,162 S *      | 2/2020  | Greenwalt | ..... | D6/310                |
| D877,522 S *      | 3/2020  | Boehm     | ..... | D6/309                |
| D879,481 S *      | 3/2020  | Yang      | ..... | D6/309                |
| D879,482 S *      | 3/2020  | Yang      | ..... | D6/309                |
| D880,774 S *      | 4/2020  | Babayan   | ..... | D28/64.6              |
| D882,280 S *      | 4/2020  | Yang      | ..... | D6/309                |
| 2005/0068646 A1 * | 3/2005  | Lev       | ..... | A45D 42/24<br>359/871 |
| 2019/0003699 A1 * | 1/2019  | Mondora   | ..... | A45D 42/10            |

\* cited by examiner

*Primary Examiner* — W. A. Teddy Falloway

(74) *Attorney, Agent, or Firm* — Erson IP (Nelson IP)

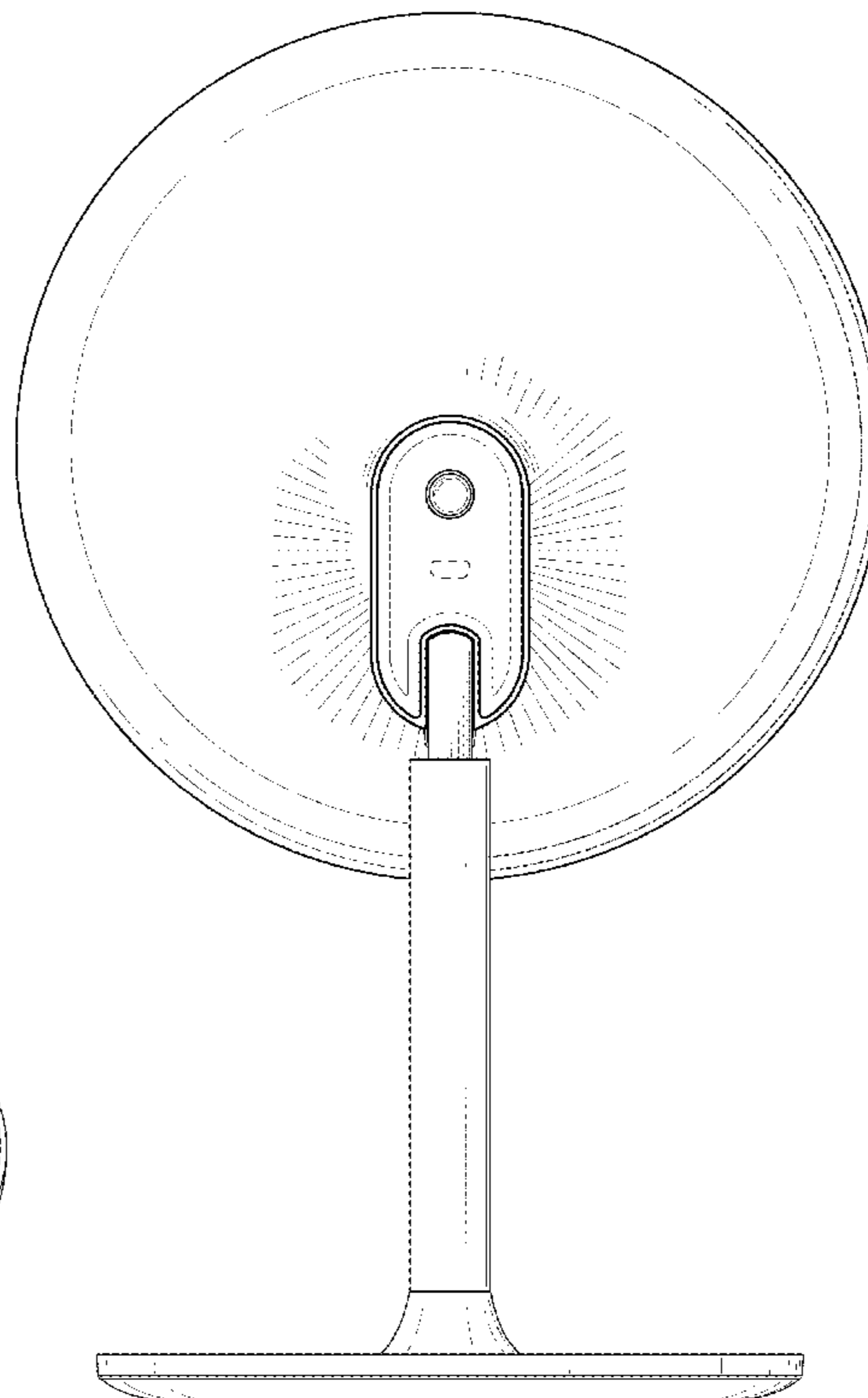
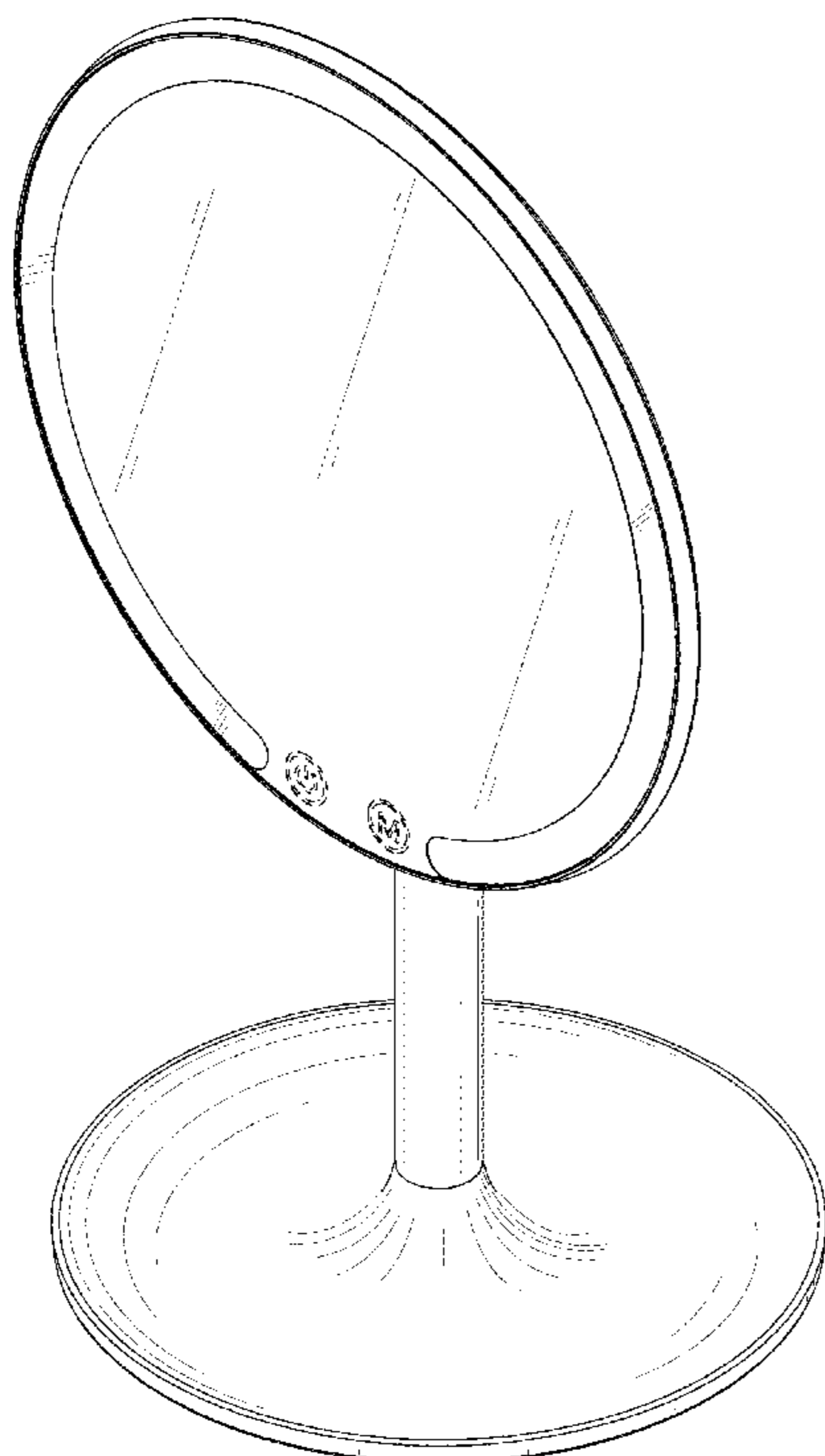
(57) **CLAIM**

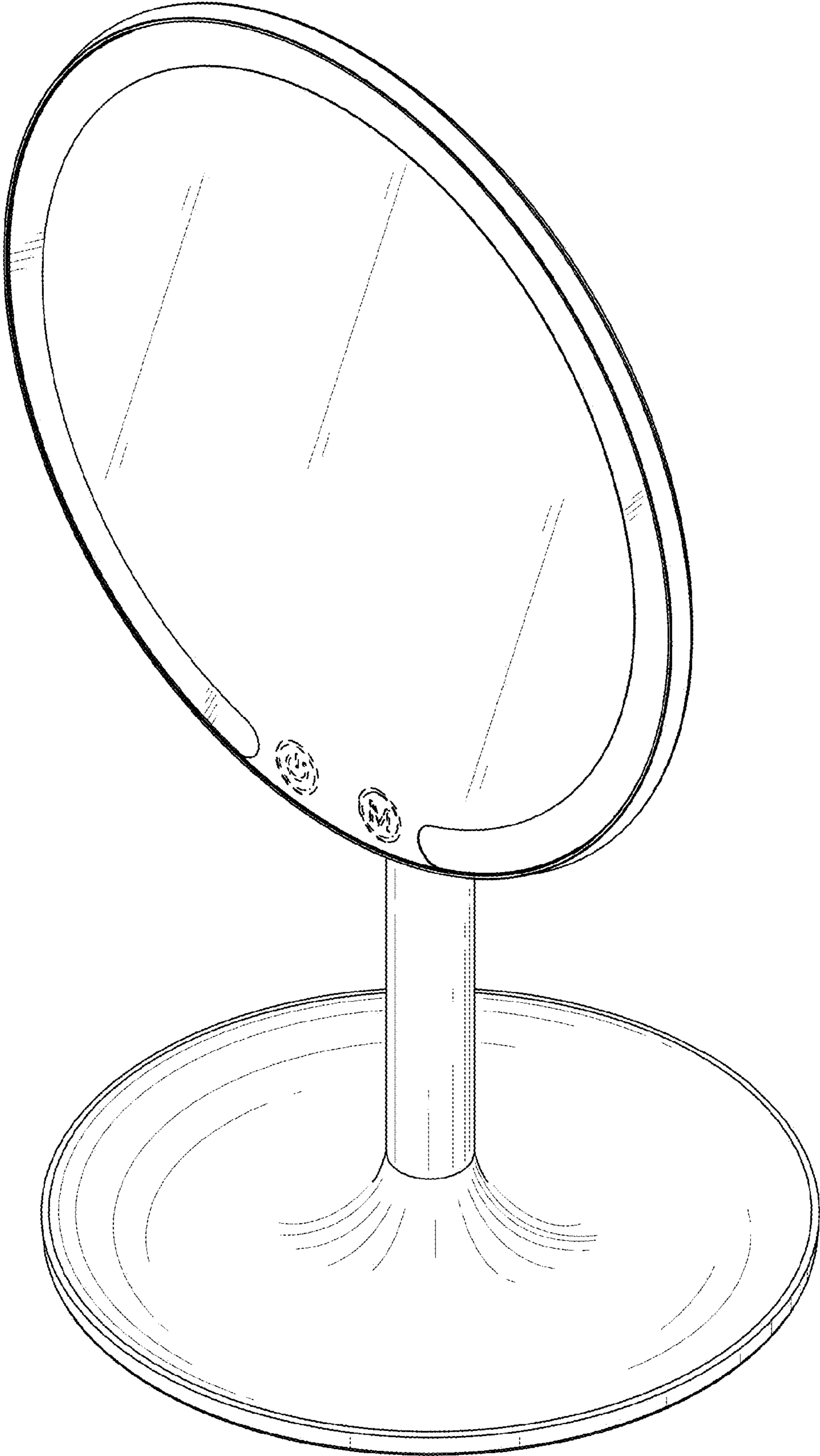
The ornamental design for a mini desktop makeup mirror, as shown and described.

**DESCRIPTION**

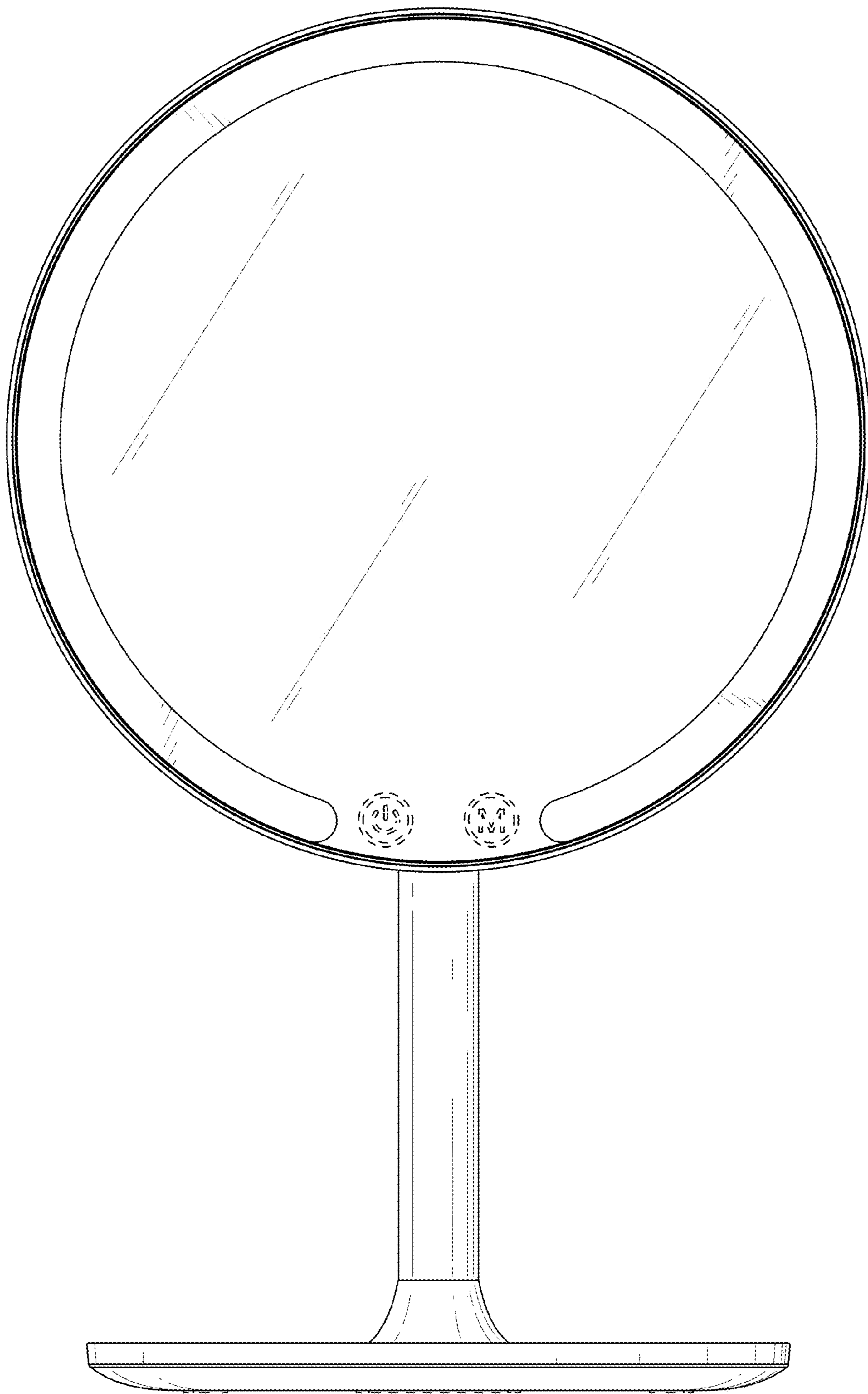
FIG. 1 is a perspective view of a mini desktop makeup mirror showing my new design;  
FIG. 2 is a front view thereof;  
FIG. 3 is a rear view thereof;  
FIG. 4 is a left side view thereof;  
FIG. 5 is a right side view thereof;  
FIG. 6 is a top plan view thereof; and,  
FIG. 7 is a bottom plan, view thereof.  
The broken lines are for the purposes of illustrating portions of the mini desktop makeup mirror and form no part of the claimed design.

**1 Claim, 7 Drawing Sheets**

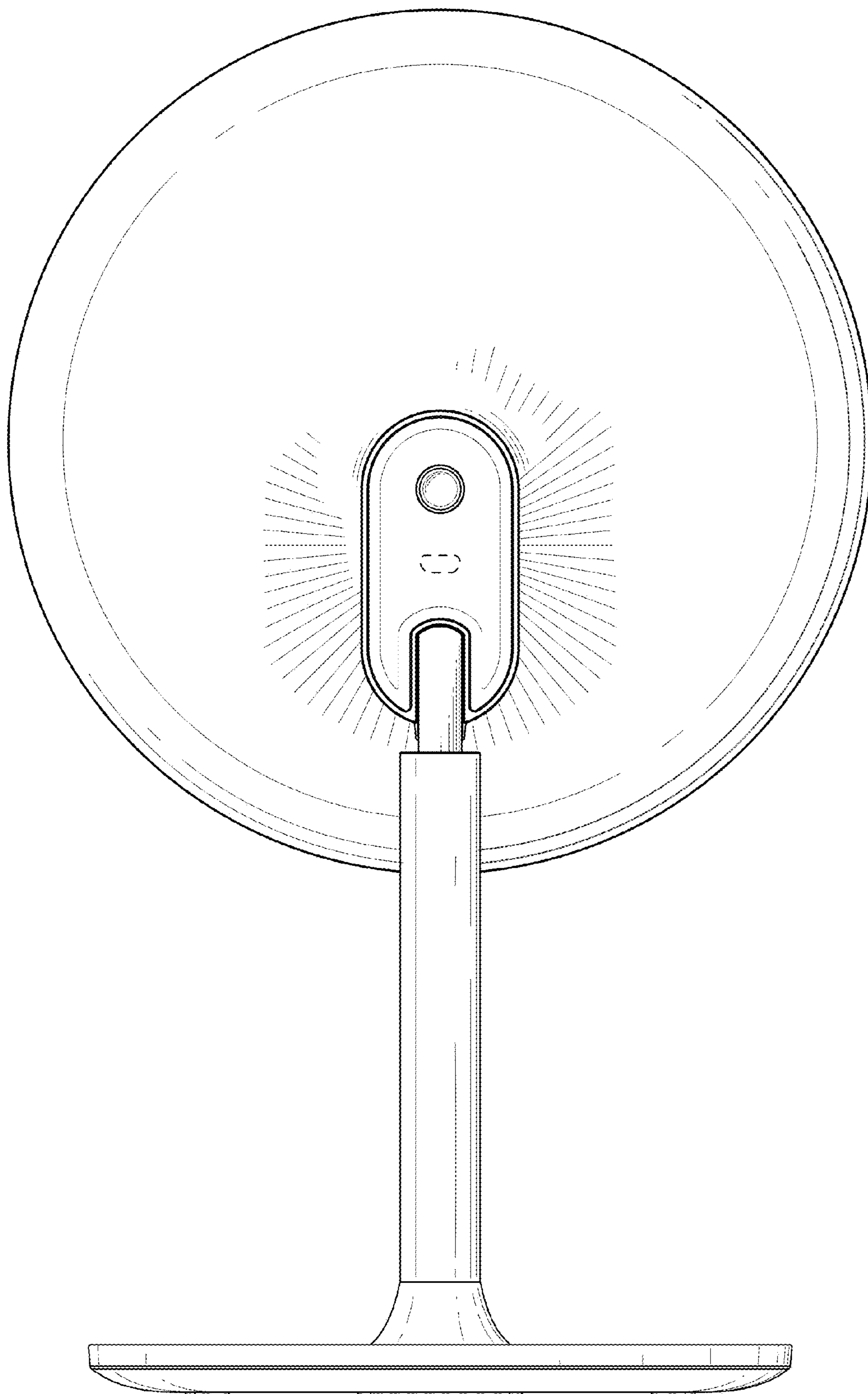




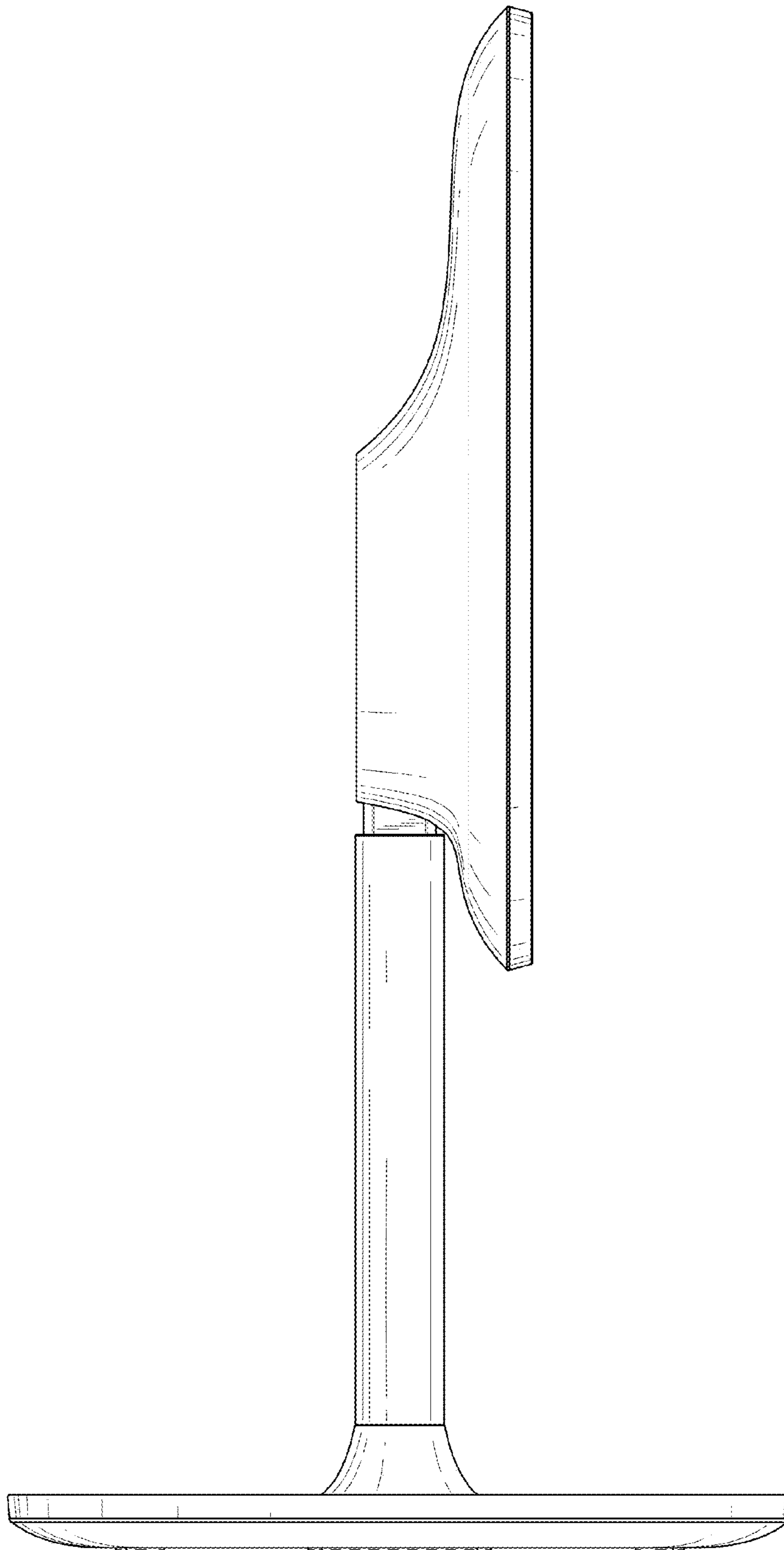
**FIG. 1**



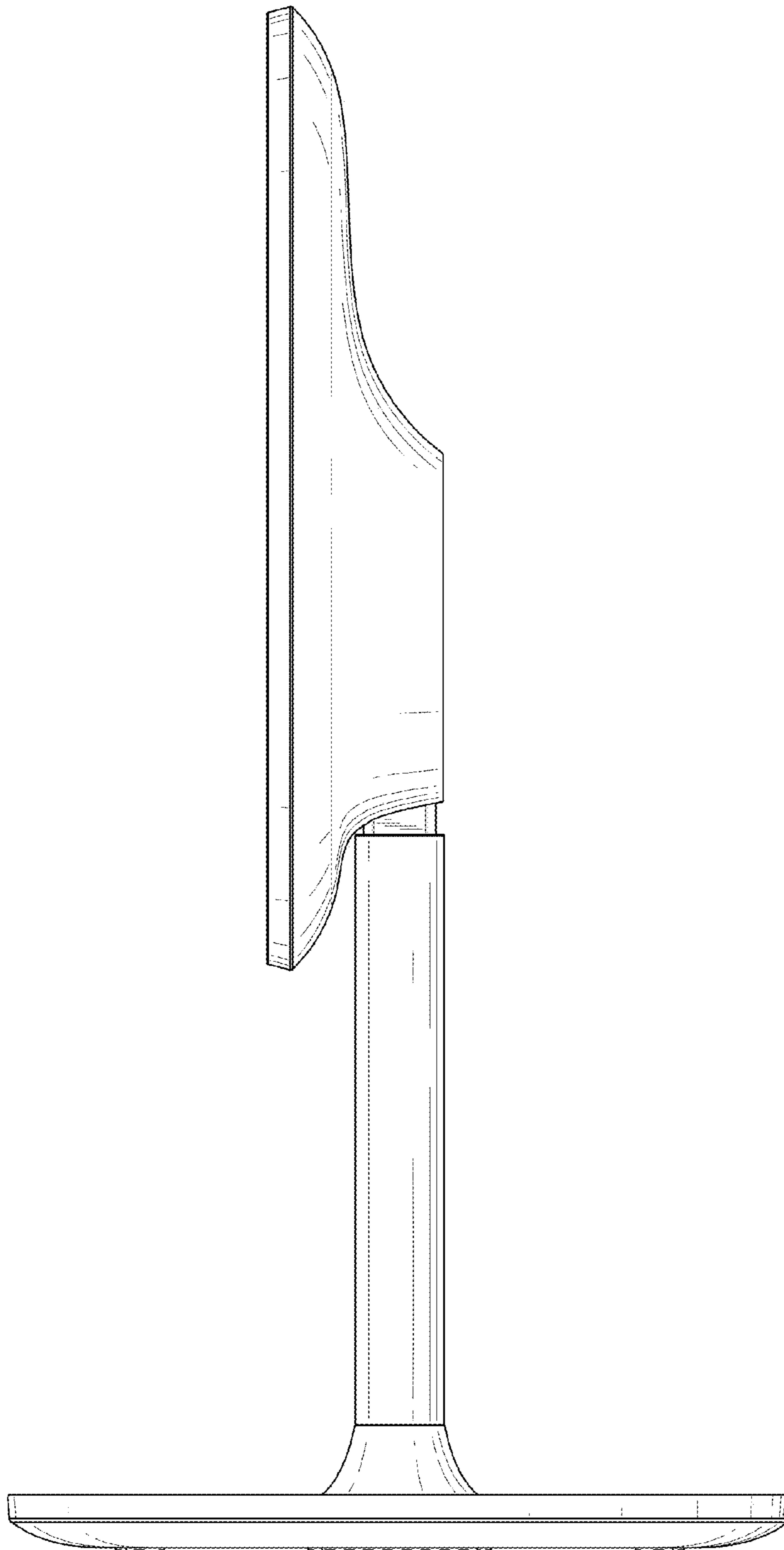
**FIG. 2**



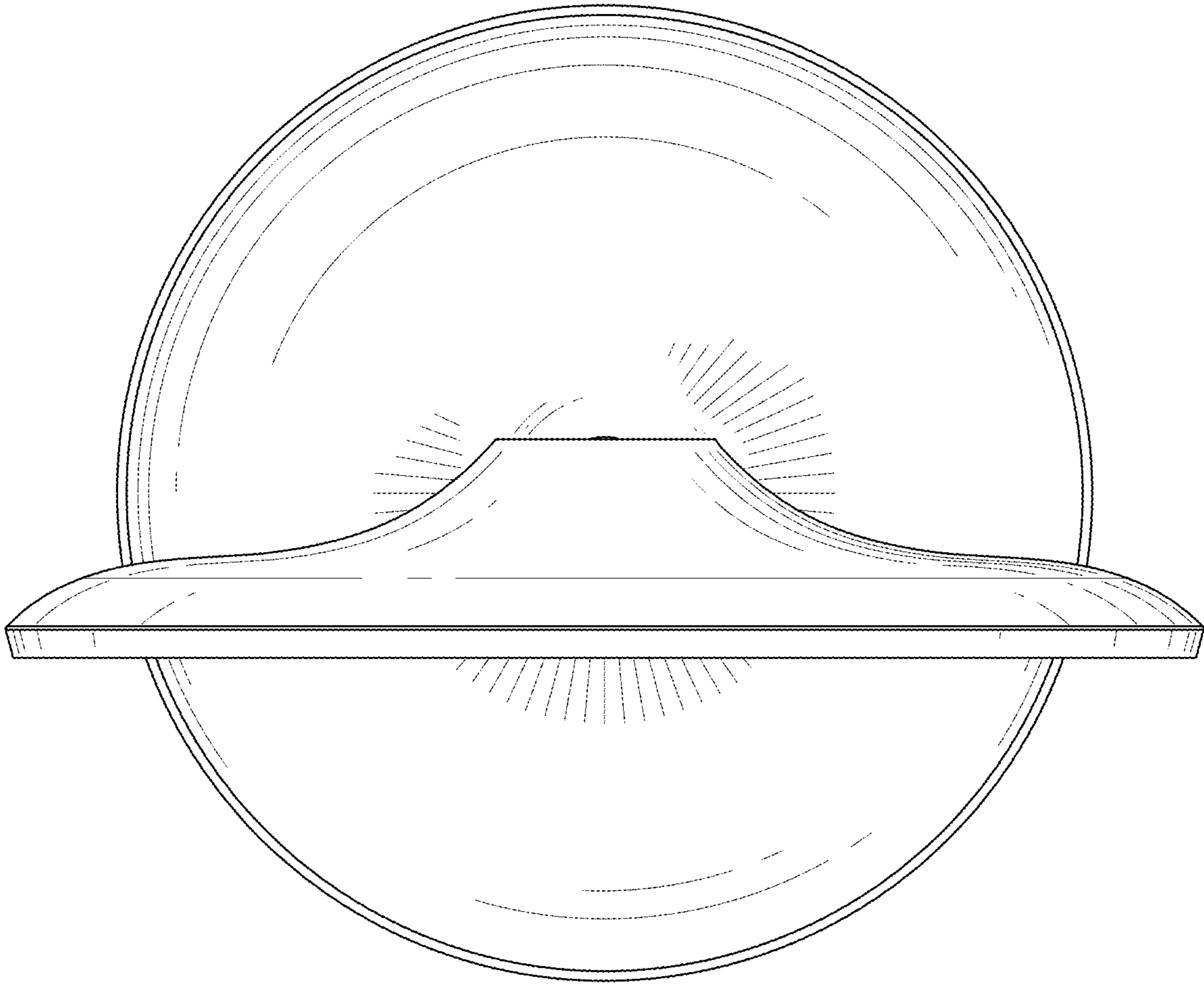
**FIG. 3**



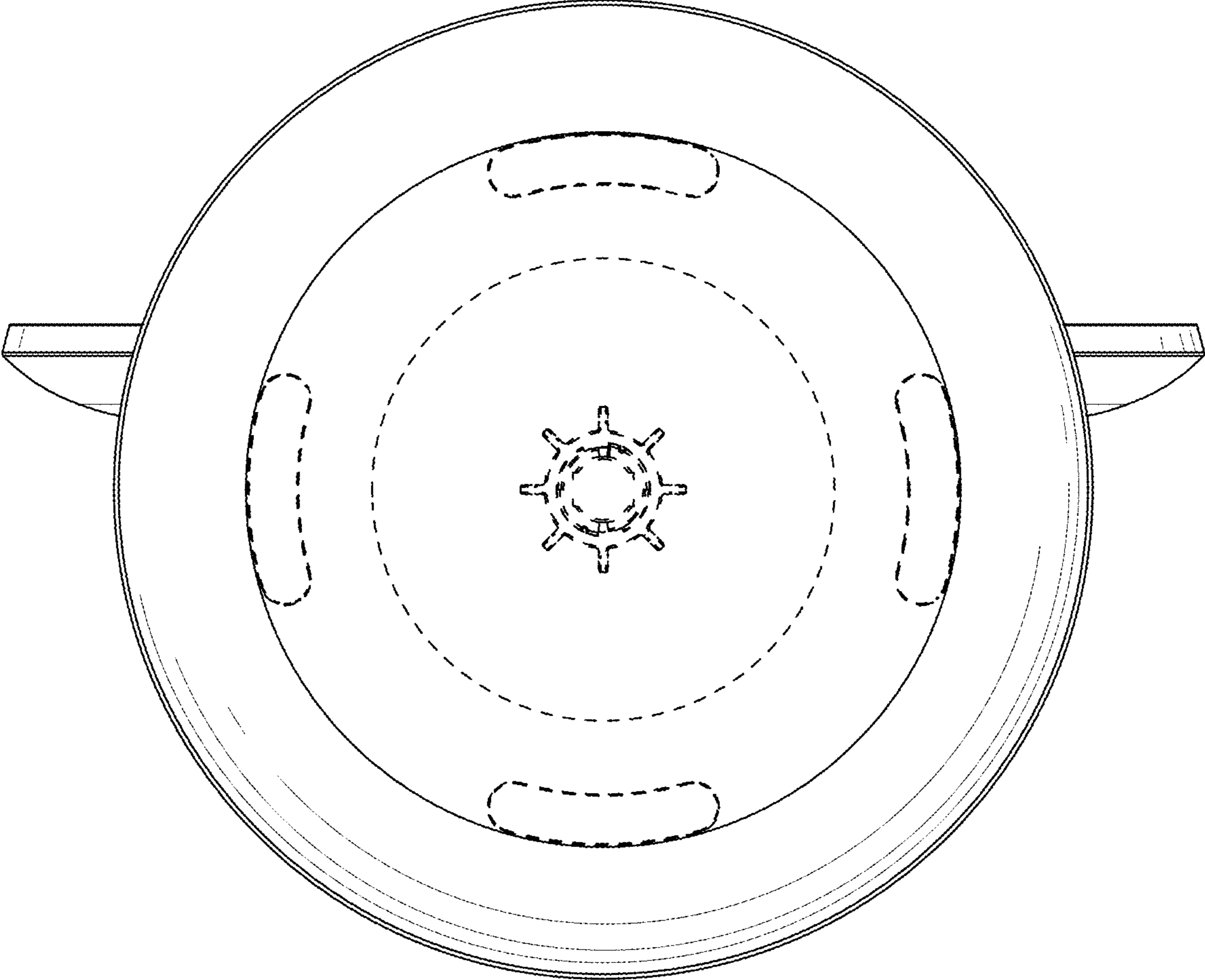
**FIG. 4**



**FIG. 5**



**FIG. 6**



**FIG. 7**