

US00D891121S

(12) **United States Design Patent** (10) **Patent No.:** **US D891,121 S**
Zhao et al. (45) **Date of Patent:** **** Jul. 28, 2020**

- (54) **LIGHTED MIRROR APPARATUS**
- (71) Applicant: **E2 Limited**, Hong Kong (CN)
- (72) Inventors: **Hebing Zhao**, Dongguan (CN);
Guosheng Liu, Dongguan (CN)
- (73) Assignee: **E2 Limited**, Hong Kong (CN)
- (**) Term: **15 Years**
- (21) Appl. No.: **29/692,699**
- (22) Filed: **May 28, 2019**
- (51) **LOC (12) Cl.** **06-07**
- (52) **U.S. Cl.**
USPC **D6/308**; D6/309; D6/310
- (58) **Field of Classification Search**
USPC D6/300–314
CPC A45D 42/00; A45D 42/24; A45D 42/14;
A45D 42/16; A45D 42/10; A45D 42/08;
F21V 21/0965; F21V 21/30; F21V
33/004; A47G 1/00; A47G 1/06; A47G
1/0616; A47G 1/14; A47G 1/141
See application file for complete search history.

(56) **References Cited**

U.S. PATENT DOCUMENTS

D509,369	S *	9/2005	Snell	D6/310
D701,050	S *	3/2014	Yang	D6/309
D730,065	S *	5/2015	Tsai	D6/310
D736,001	S *	8/2015	Yang	D6/309
D779,836	S *	2/2017	Bailey	D6/309
9,638,410	B2	5/2017	Yang		
D793,099	S *	8/2017	Bailey	D14/172
9,897,306	B2	2/2018	Yang		
D825,940	S *	8/2018	Liu	D6/309
D840,699	S *	2/2019	Xie	D6/309
D846,288	S *	4/2019	Yang	D6/309
D871,084	S *	12/2019	Pestl	D6/309
D874,161	S *	2/2020	Yang	D6/309
D874,162	S *	2/2020	Greenwalt	D6/310

D877,522	S *	3/2020	Boehm	D6/309
D879,481	S *	3/2020	Yang	D6/309
D879,482	S *	3/2020	Yang	D6/309
D880,774	S *	4/2020	Babayan	D28/64.6
D882,280	S *	4/2020	Yang	D6/309
2005/0068646	A1 *	3/2005	Lev	A45D 42/24 359/871
2018/0172265	A1	6/2018	Yang		
2019/0003699	A1 *	1/2019	Mondora	A45D 42/10

OTHER PUBLICATIONS

Blackstone International, Ltd., 2018 HomeStar Natural Daylight Vanity Mirror, <https://www.blackstoneinternational.ltd/store/p8/2018_HomeStar_Natural_Daylight_Vanity_Mirror.html>; 2018.

* cited by examiner

Primary Examiner — W. A. Teddy Falloway
(74) *Attorney, Agent, or Firm* — Garson & Gutierrez, PC

(57) **CLAIM**

The ornamental design of a lighted mirror apparatus, as shown or described herein.

DESCRIPTION

FIG. 1 is a perspective view of a lighted mirror apparatus, showing our new design;

FIG. 2 is a front side elevation view of the lighted mirror apparatus of FIG. 1;

FIG. 3 is a back side elevation of the lighted mirror apparatus of FIG. 1;

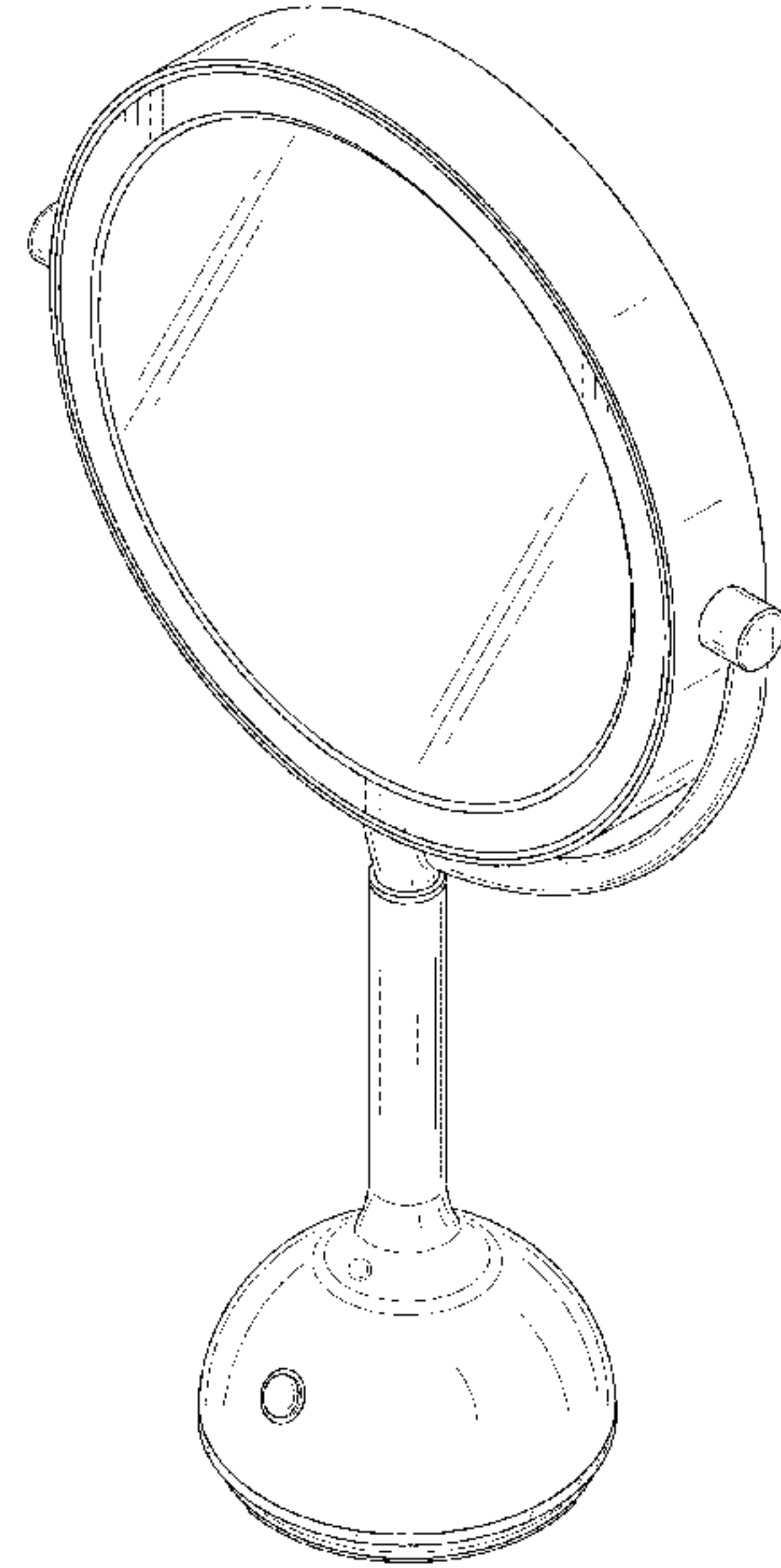
FIG. 4 is a left side elevation view of the lighted mirror apparatus of FIG. 1;

FIG. 5 is a right side elevation view of the lighted mirror apparatus of FIG. 1;

FIG. 6 is a top plan view of the lighted mirror apparatus of FIG. 1; and,

FIG. 7 is a bottom plan view of the lighted mirror apparatus of FIG. 1.

1 Claim, 7 Drawing Sheets



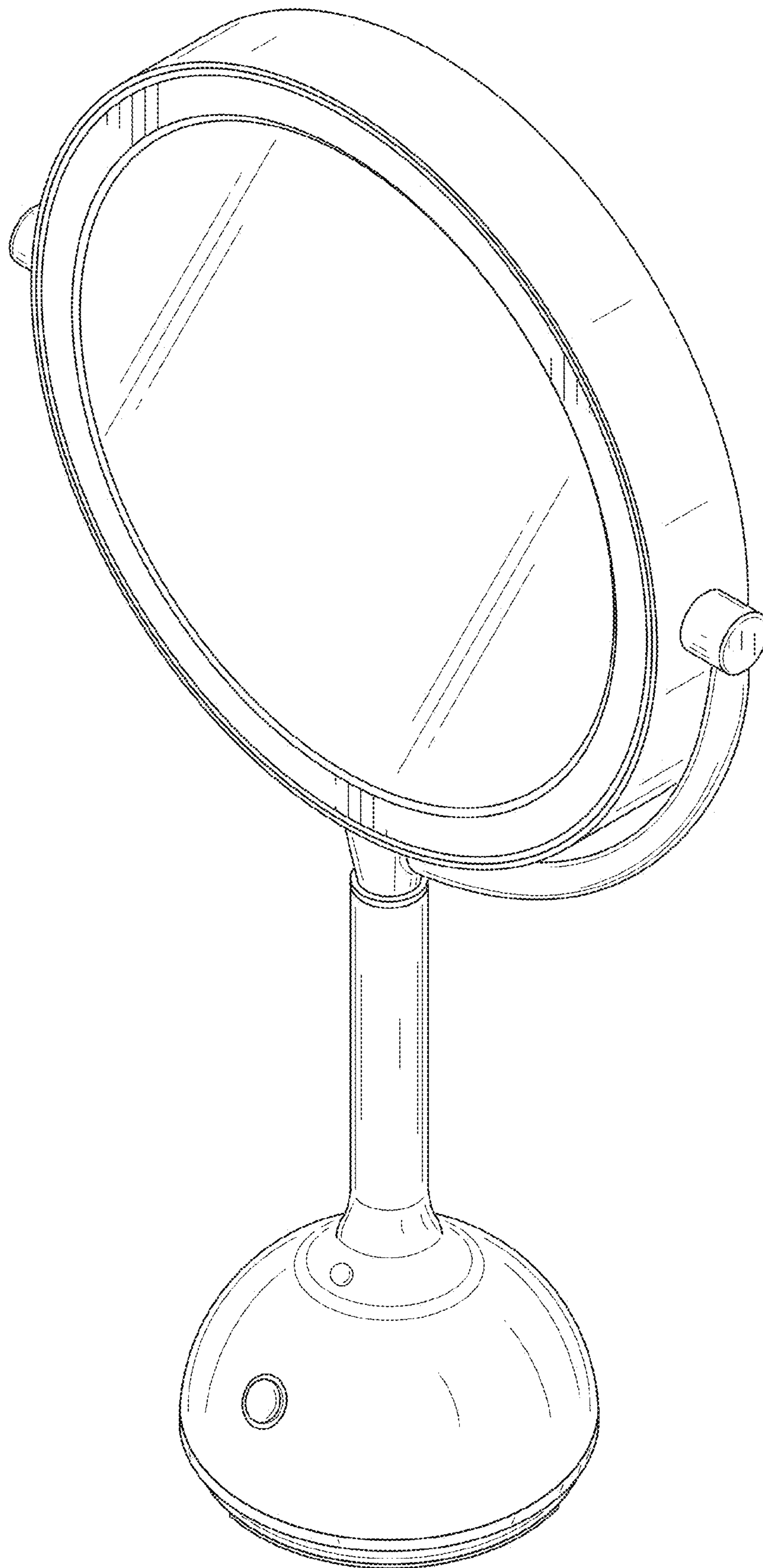


FIG. 1

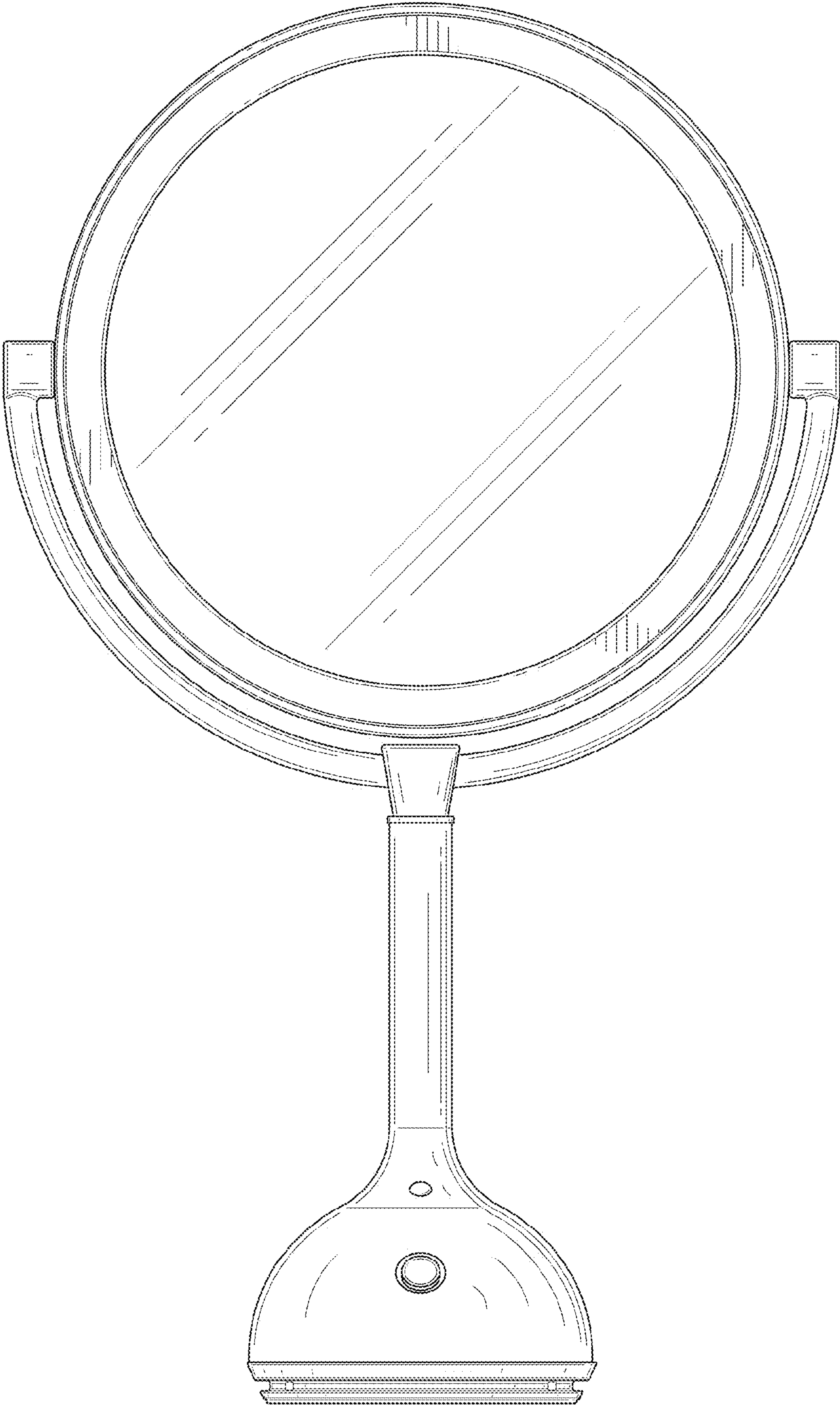


FIG. 2

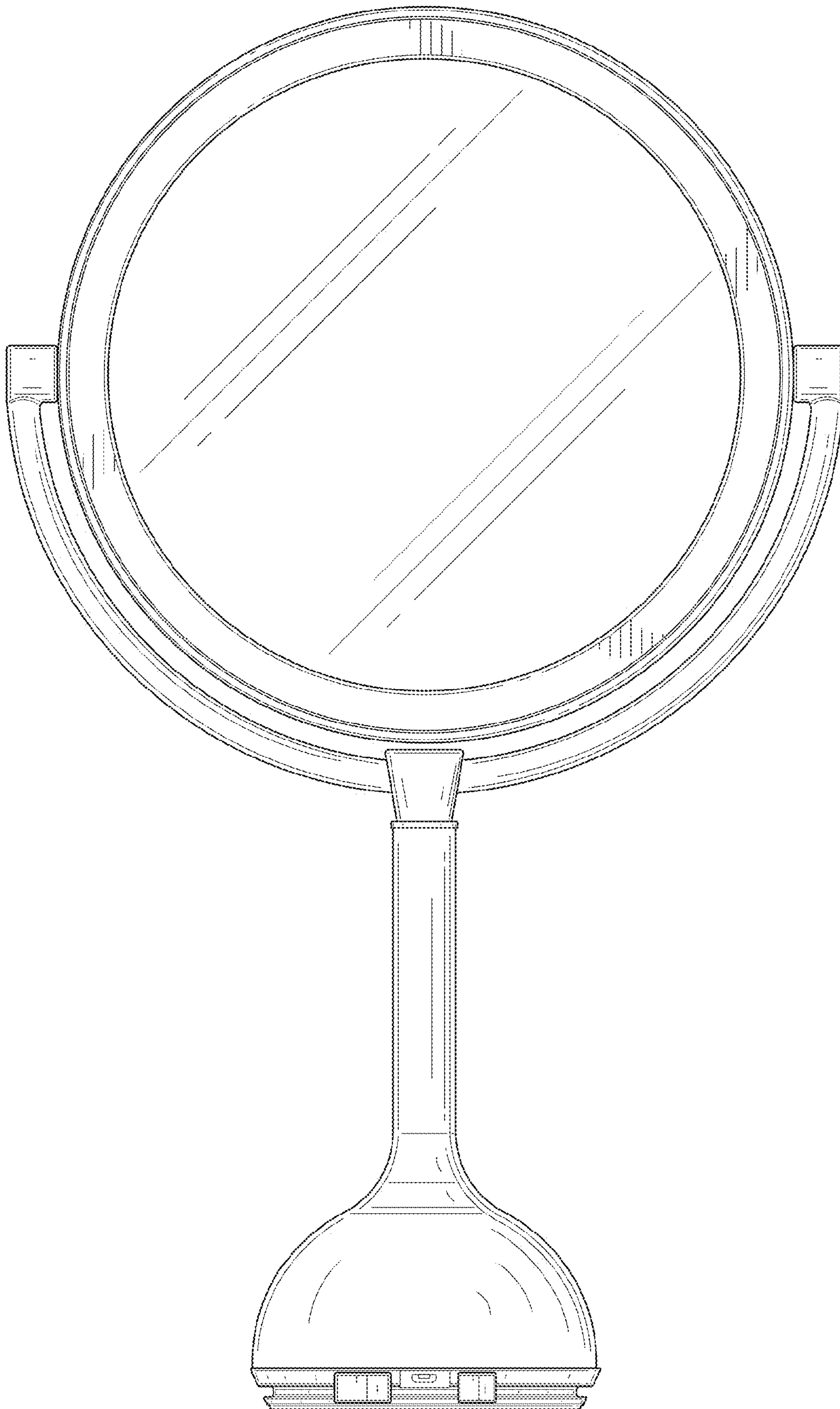


FIG. 3

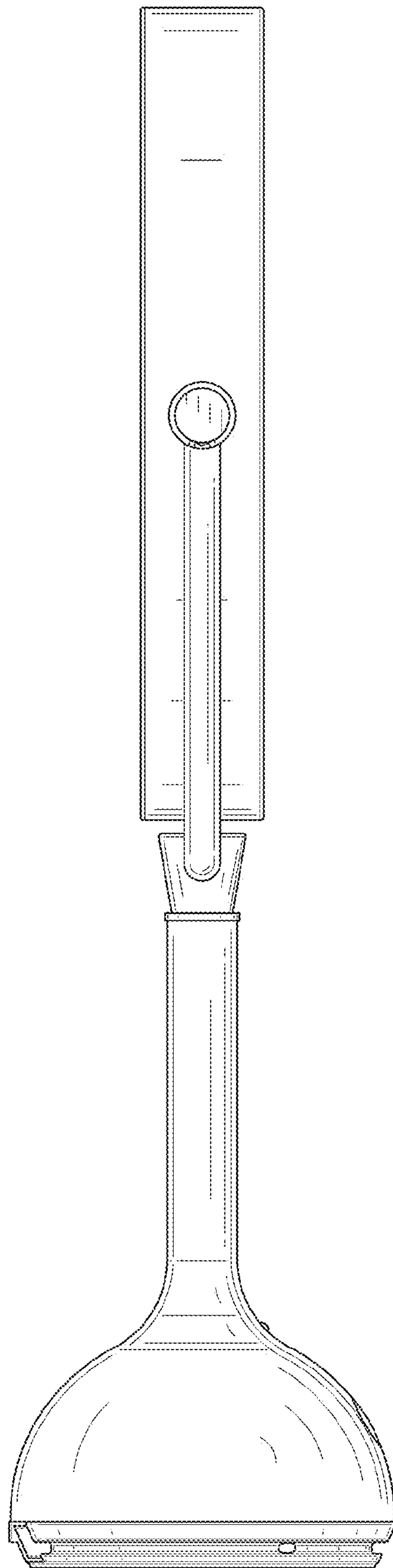


FIG. 4

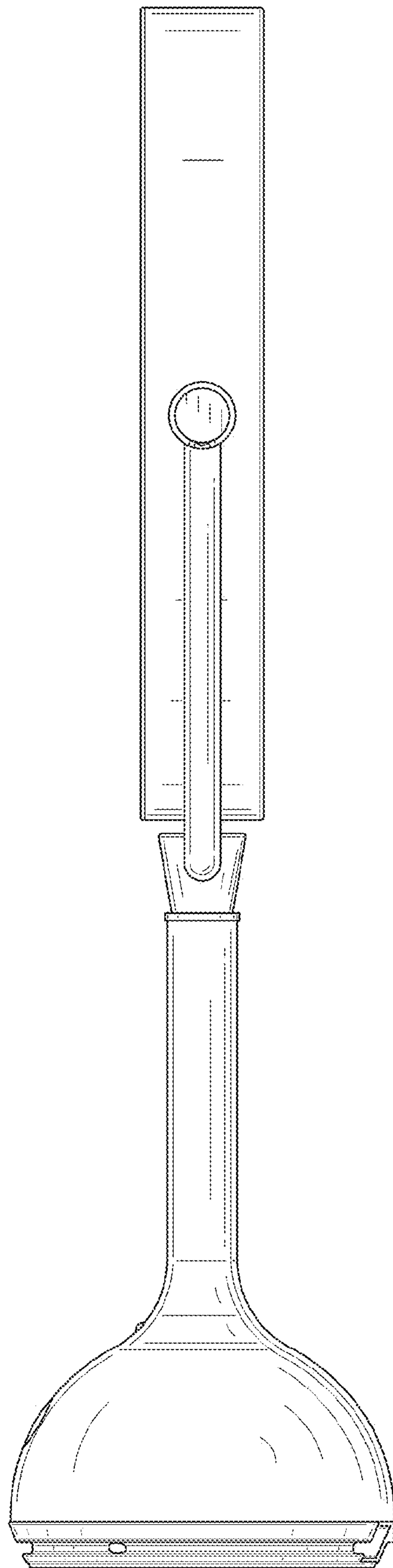


FIG. 5

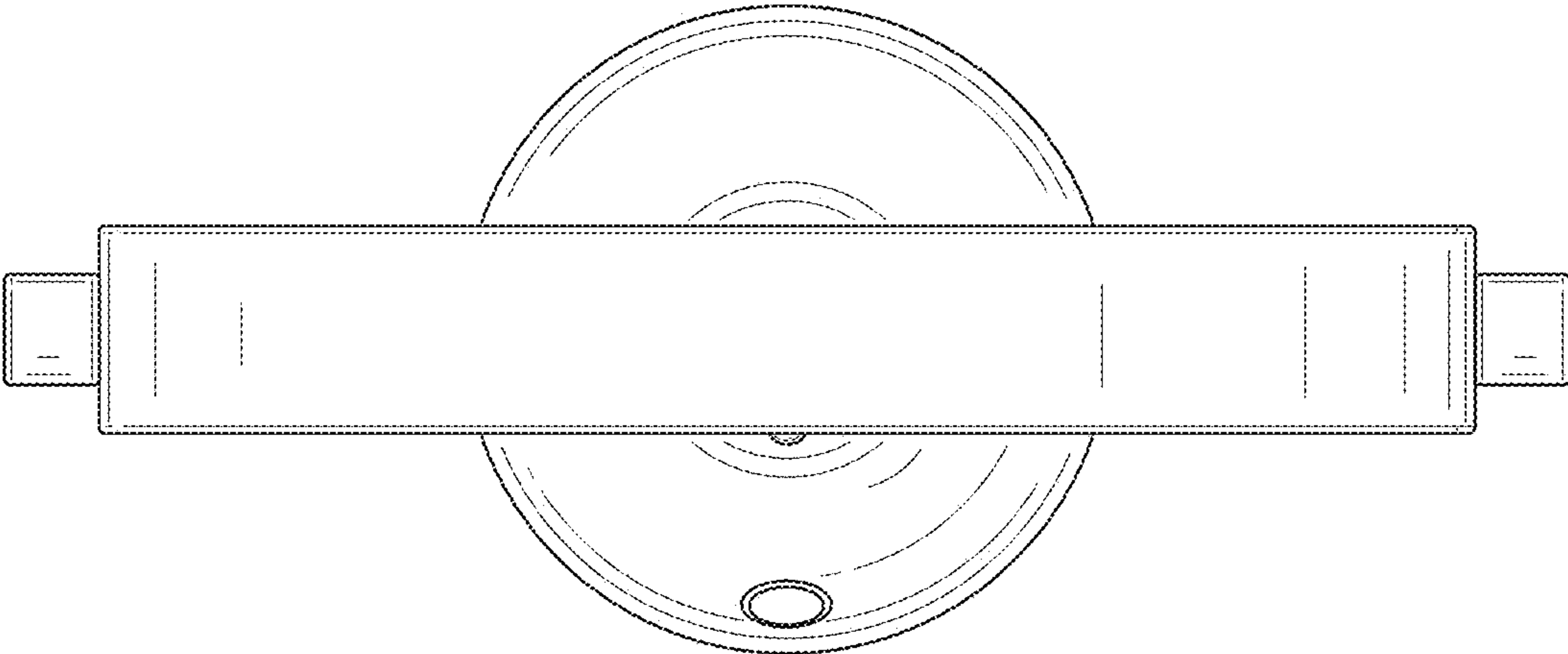


FIG. 6

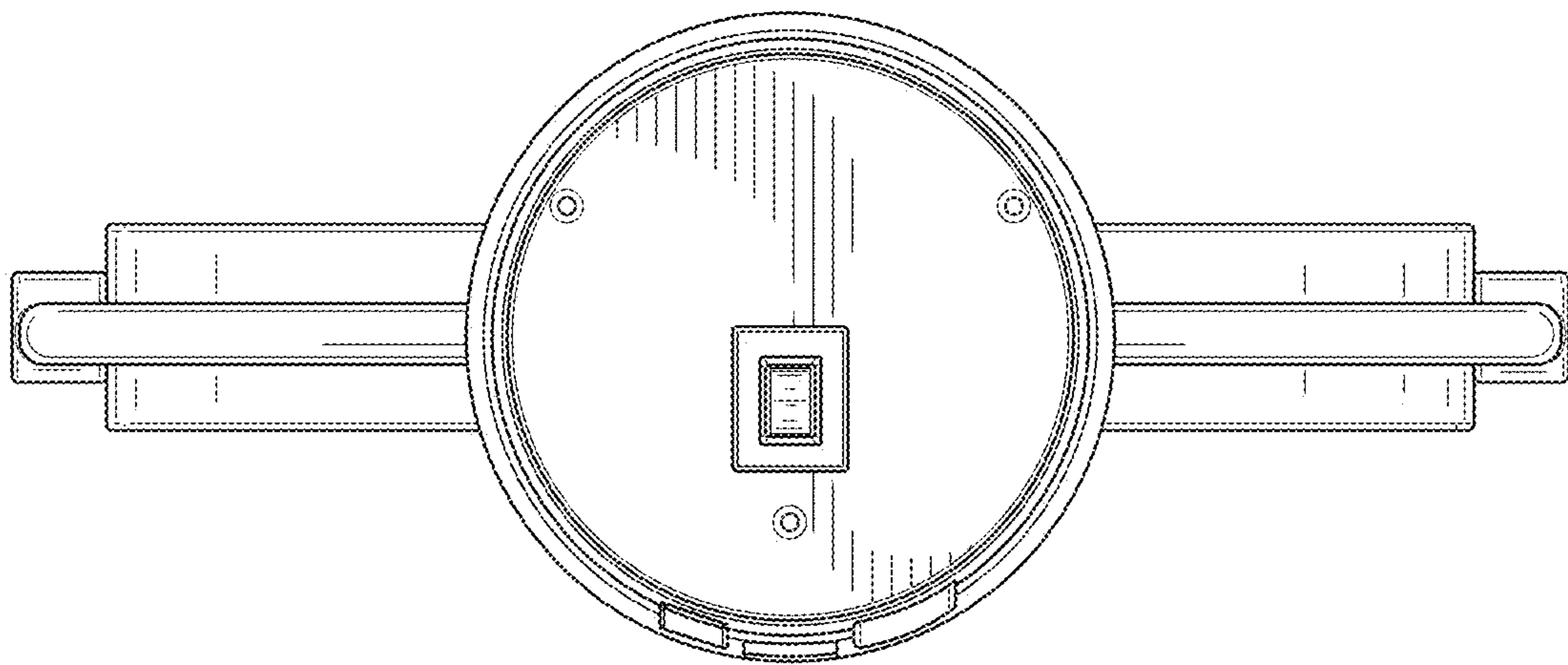


FIG. 7