



US00D891118S

(12) **United States Design Patent**
Neumann

(10) **Patent No.:** **US D891,118 S**
(45) **Date of Patent:** **** Jul. 28, 2020**

(54) **COMPACT LINT ROLLER**
(71) Applicant: **Easy Do Products Ltd**, London (GB)
(72) Inventor: **Daniel Neumann**, London (GB)
(73) Assignee: **Easy Do Products Ltd**, London (GB)
(**) Term: **15 Years**
(21) Appl. No.: **29/634,998**
(22) Filed: **Jan. 26, 2018**
(51) **LOC (12) Cl.** **04-01**
(52) **U.S. Cl.**
USPC **D4/122; D4/138**
(58) **Field of Classification Search**
USPC D4/122, 131-138; D7/393, 392, 401.2;
D8/10, 11, 45, 80, 83, 98, 107, 303;
15/104.001, 104.002, 143.1, 159.1, 160,
15/230, 230.11; 16/430; 492/13, 16, 17,
492/19
CPC A46B 5/02; A46B 5/021; A46B 5/023;
A46B 5/025; A46B 5/026; A46B 7/06;
A46B 7/10; A47J 45/00; A47J 45/06;
A47J 45/061; A47J 45/07; A47J 45/071;
B25G 1/00; B25G 1/005; B25G 1/10;
B25G 1/102; B25G 1/105; B26B 1/10;
Y10S 16/12; Y10S 16/19; Y10T 16/446;
Y10T 16/469; Y10T 16/476; A47L 25/00;
A47L 25/005; A47L 25/08; B08B 1/00;
B08B 1/04; B08B 7/0028; B05C 17/02;
B05C 17/0205; B05C 17/0217; B05C
17/0222; B05C 17/0225
See application file for complete search history.

8,904,588 B2 * 12/2014 Taub A47L 25/005
15/104.002
D727,579 S * 4/2015 Willis D32/25
D743,701 S * 11/2015 Arvinte D4/122
D756,663 S * 5/2016 Michelson D4/122
D802,306 S * 11/2017 Woolman D4/122
D818,716 S * 5/2018 Savignac D4/122
D826,571 S * 8/2018 Wang D4/122
D858,998 S * 9/2019 Zhang D4/122
D862,899 S * 10/2019 Vasilakes D4/122

* cited by examiner

Primary Examiner — Austin Murphy
(74) *Attorney, Agent, or Firm* — Soroker Agmon
Nordman

(57) **CLAIM**

The ornamental design for a compact lint roller, as shown and described.

DESCRIPTION

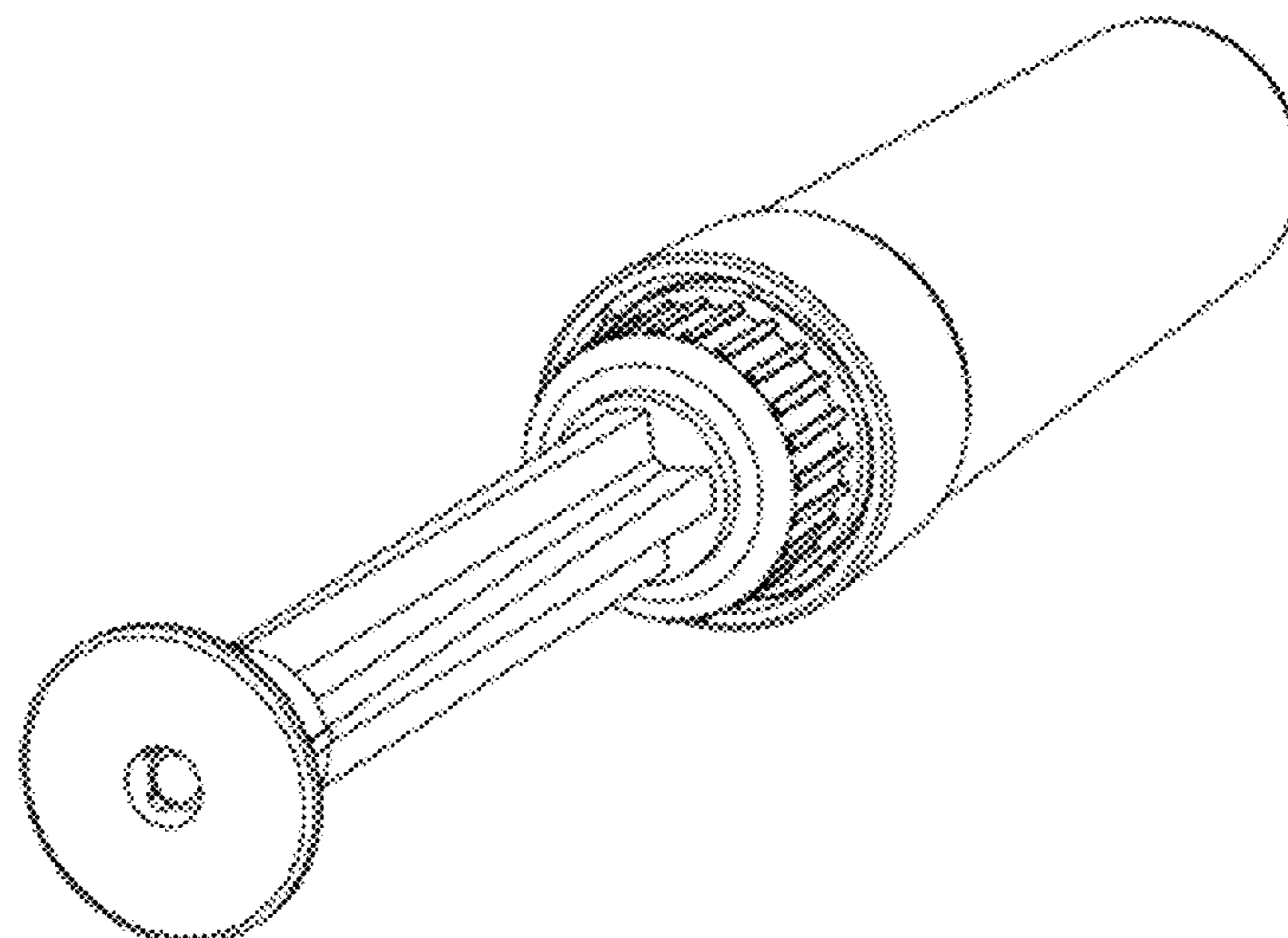
FIG. 1 is a side view of the compact lint roller with the hollow handle configured over the adhesive roll retainer portion;
FIG. 2 is a side view of the compact lint roller with the handle detached from the adhesive roll retainer portion for ease of illustration;
FIG. 3 is a side view of the compact lint roller with the handle attached to the adhesive roll retainer portion extending as a handle;
FIG. 4 is a perspective view of the compact lint roller with the handle attached to the adhesive roll retainer portion extending as a handle;
FIG. 5 is a side view of the compact lint roller with the handle and end cap detached from the adhesive roll retainer portion for ease of illustration; and,
FIG. 6 is a side view of the compact lint roller with the handle attached to the adhesive roll retainer portion and an adhesive roll retained on the adhesive roll retainer portion. The adhesive roll shown in FIG. 6 is shown in broken lines and forms no part of the claimed design.

1 Claim, 6 Drawing Sheets

(56) **References Cited**

U.S. PATENT DOCUMENTS

D681,341 S * 5/2013 Caligaris D4/122
8,479,346 B1 * 7/2013 Raghuprasad A47L 13/34
15/111
D691,378 S * 10/2013 Taub D4/122



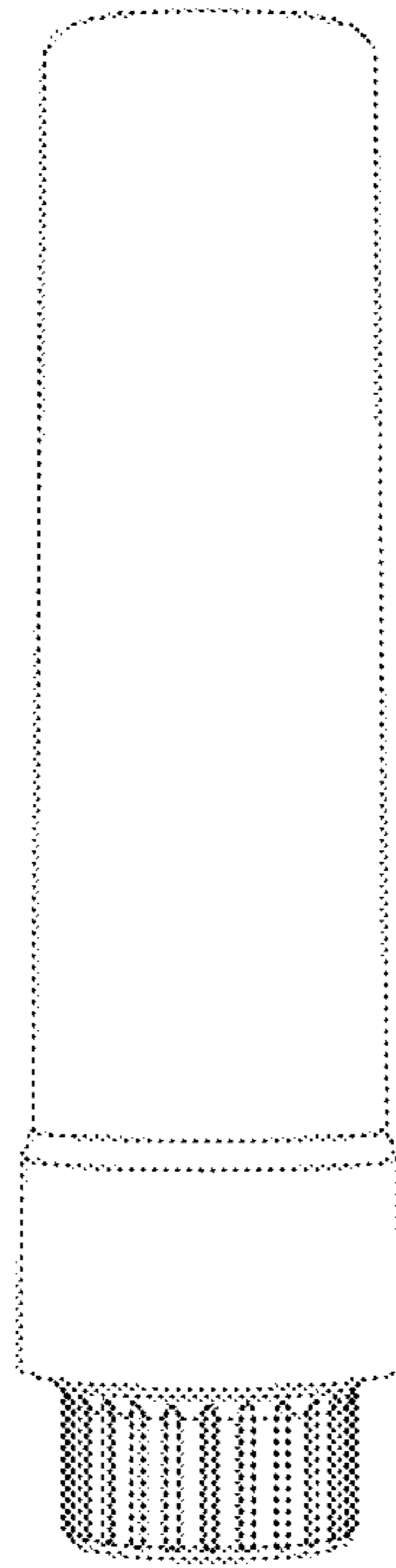


FIG. 1

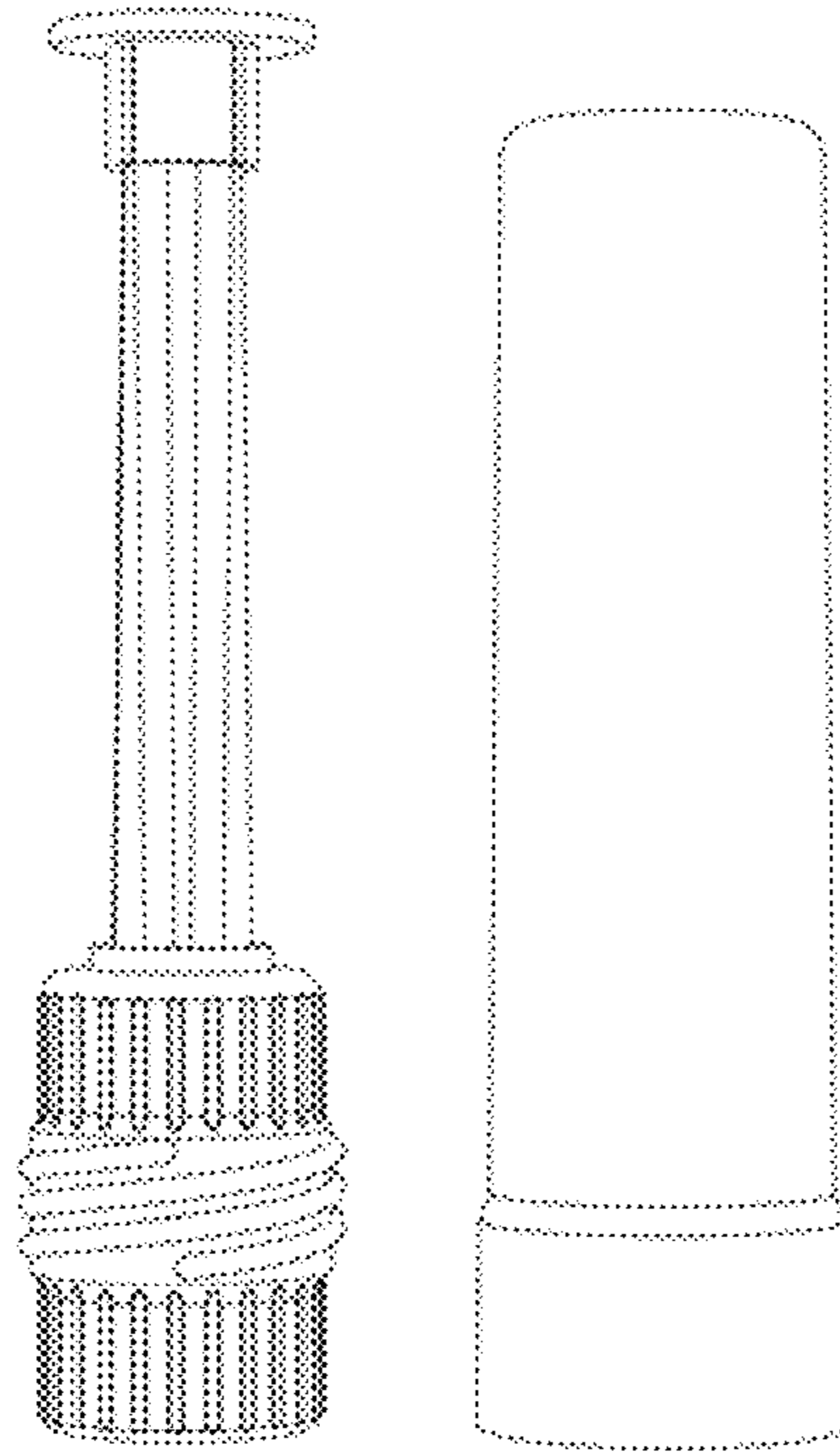


FIG. 2

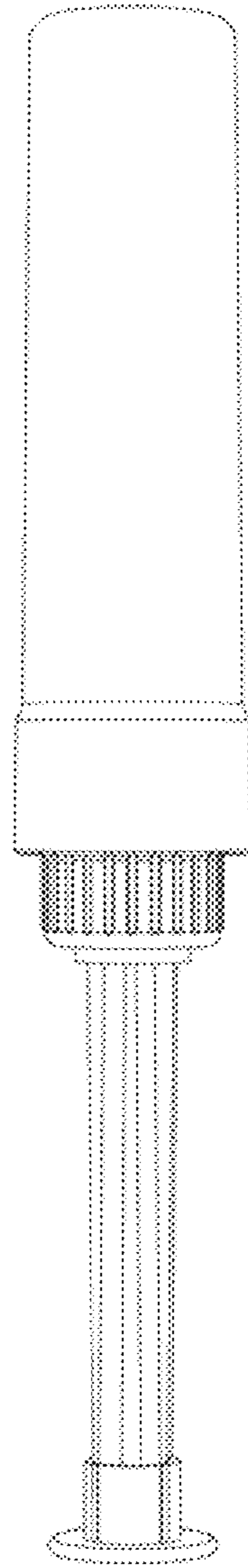


FIG. 3

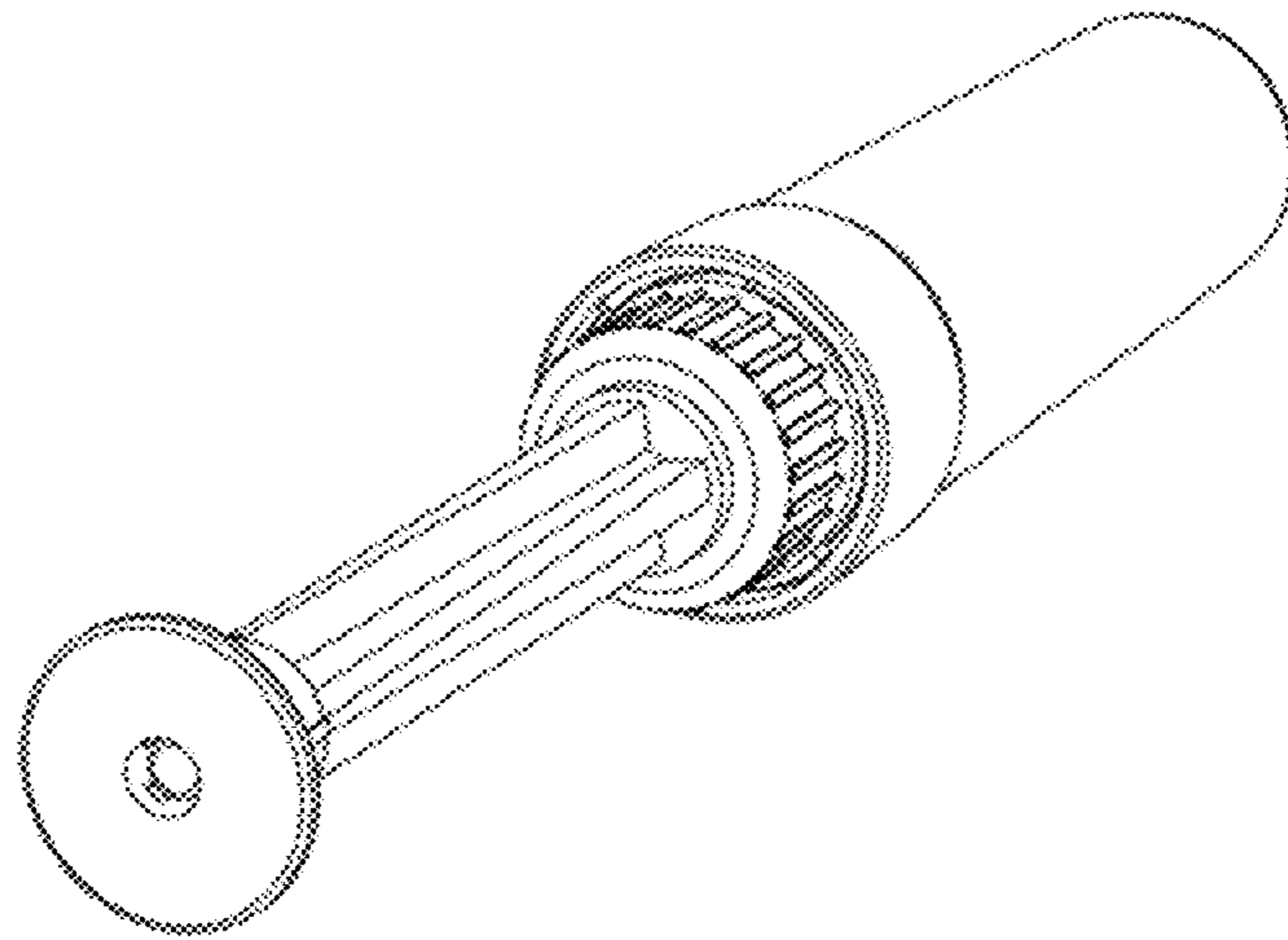


FIG. 4

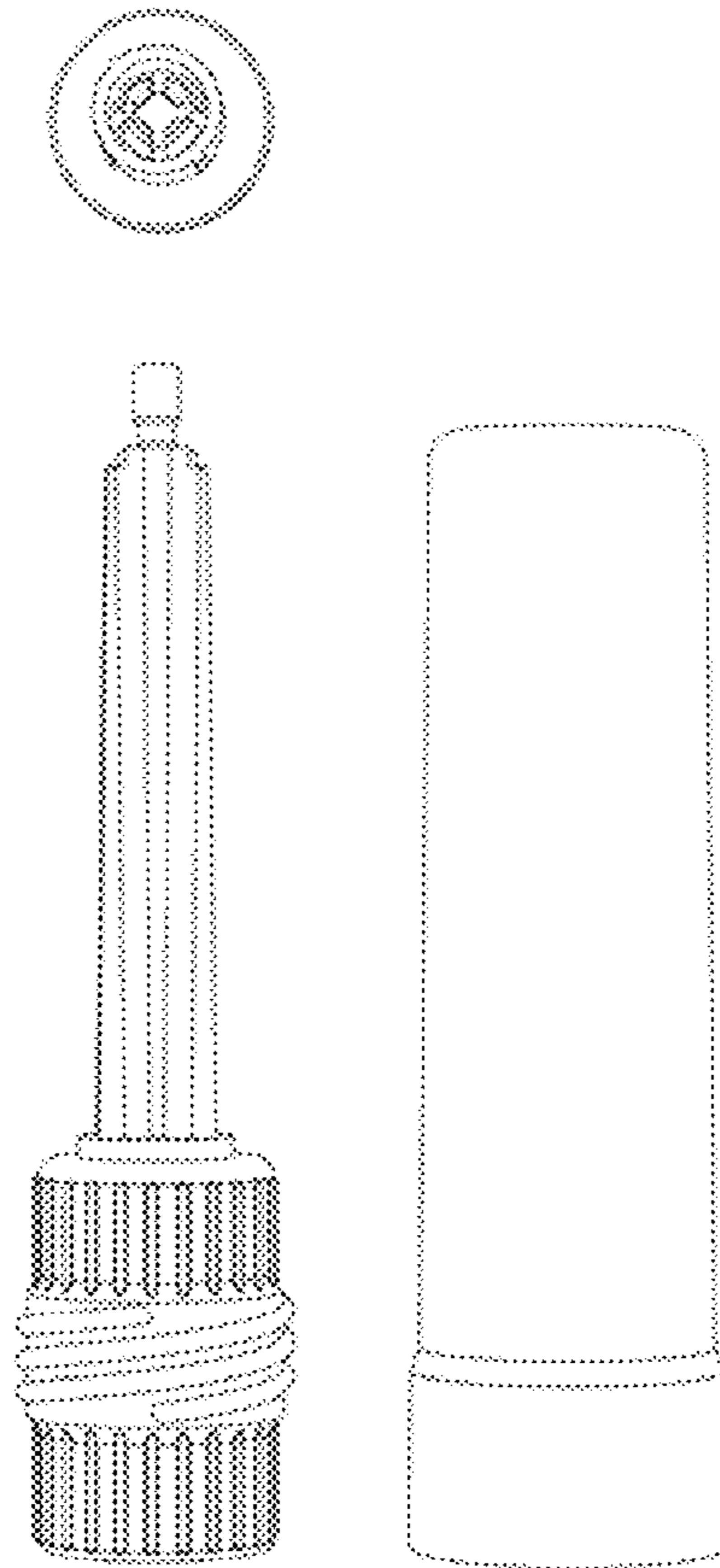


FIG. 5

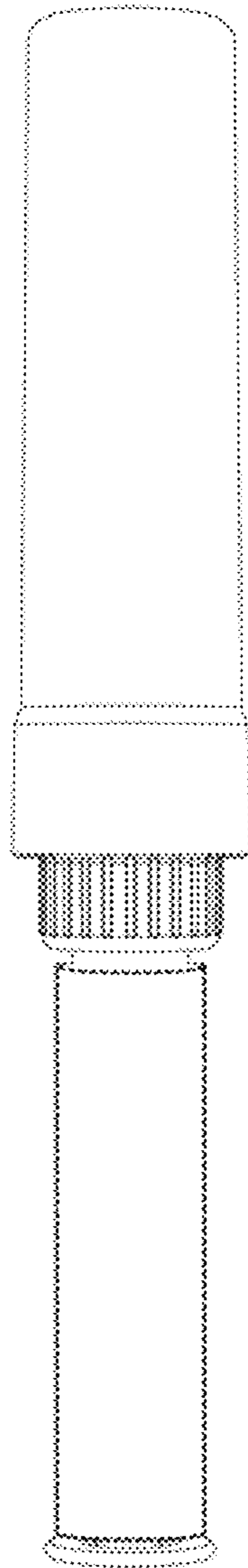


FIG. 6