



US00D891117S

(12) **United States Design Patent** (10) **Patent No.:** **US D891,117 S**
Theodosis et al. (45) **Date of Patent:** **** Jul. 28, 2020**

- (54) **COSMETICS BRUSH**
- (71) Applicants: **Mark Theodosis**, Odessa, FL (US);
Erran O'Donnell, Odessa, FL (US)
- (72) Inventors: **Mark Theodosis**, Odessa, FL (US);
Erran O'Donnell, Odessa, FL (US)
- (73) Assignee: **SI/TKO Holdings, Inc.**, Odessa, FL (US)
- (**) Term: **15 Years**
- (21) Appl. No.: **29/722,422**
- (22) Filed: **Jan. 29, 2020**
- (51) **LOC (12) Cl.** **04-02**
- (52) **U.S. Cl.**
USPC **D4/121; D4/138**
- (58) **Field of Classification Search**
USPC D4/114, 115, 116, 118, 120, 121, 122,
D4/123, 124, 127, 128, 130, 131, 133,
D4/134, 135, 136, 137, 138, 199; D28/7,
D28/8, 76
CPC ... A46B 2200/1046; A46B 5/02; A46B 7/023;
A46B 9/021
See application file for complete search history.

- (56) **References Cited**
U.S. PATENT DOCUMENTS
695,197 A * 3/1902 Dillingham A46B 5/02
15/143.1
1,054,709 A * 3/1913 Munro A46B 5/02
15/143.1
1,496,225 A * 6/1924 Horn A46B 5/02
15/143.1
2,657,411 A * 11/1953 Becker A46B 17/04
15/184
D276,192 S * 11/1984 Fusco D4/120
D276,480 S * 11/1984 Nigro D4/127
D278,952 S 5/1985 Kalinsky
D280,954 S 10/1985 Rittenhouse
D310,917 S * 10/1990 Futter D4/114

D376,910 S * 12/1996 Tuchman 401/139
D391,966 S * 3/1998 Mischenko D14/230
D401,419 S 11/1998 Hartmann
(Continued)

FOREIGN PATENT DOCUMENTS

GB 2027364 * 3/1993
Primary Examiner — Karen E Eldridge Powers
(74) *Attorney, Agent, or Firm* — Smith & Hopen, P.A.;
Paul Murty

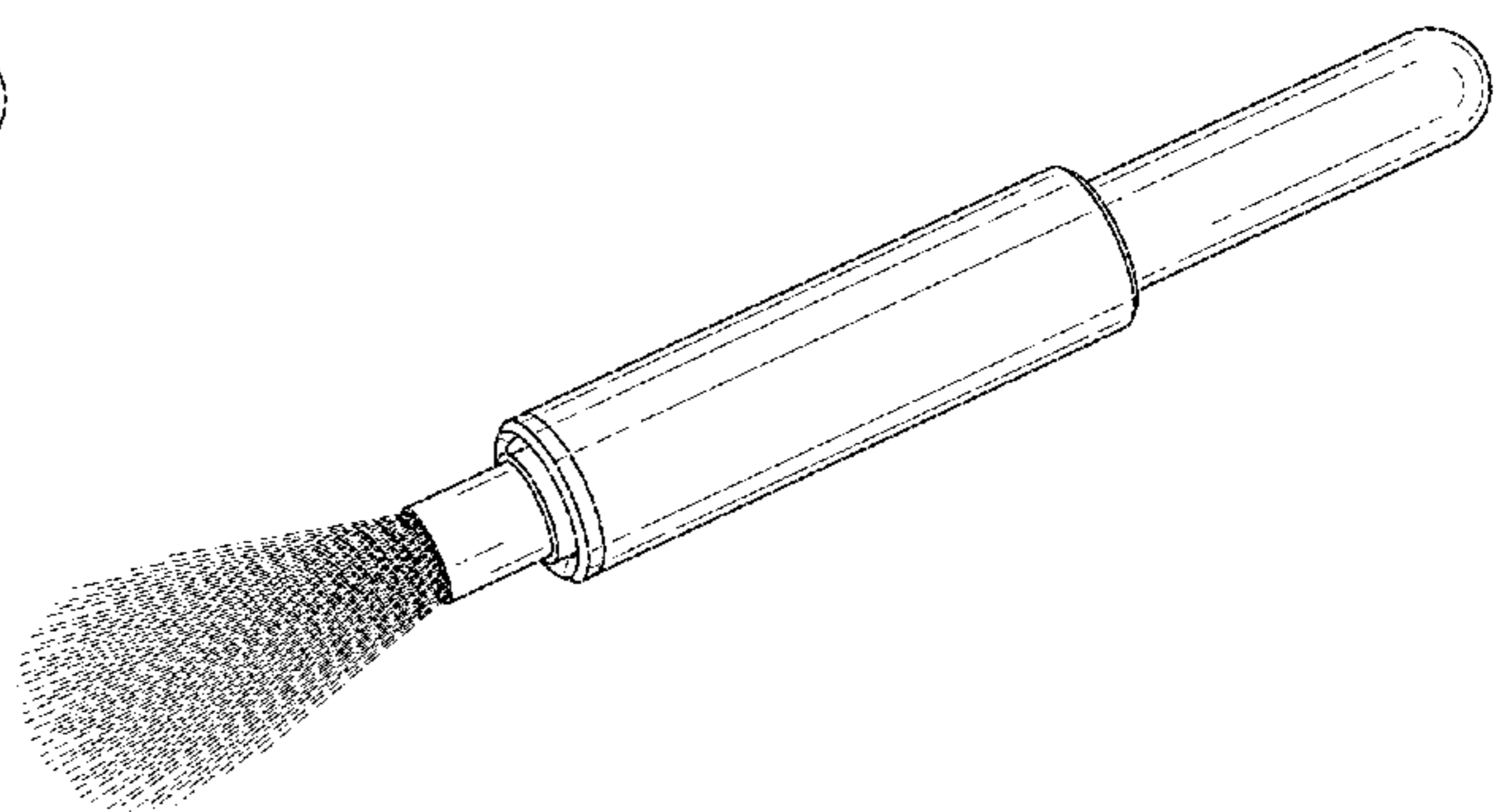
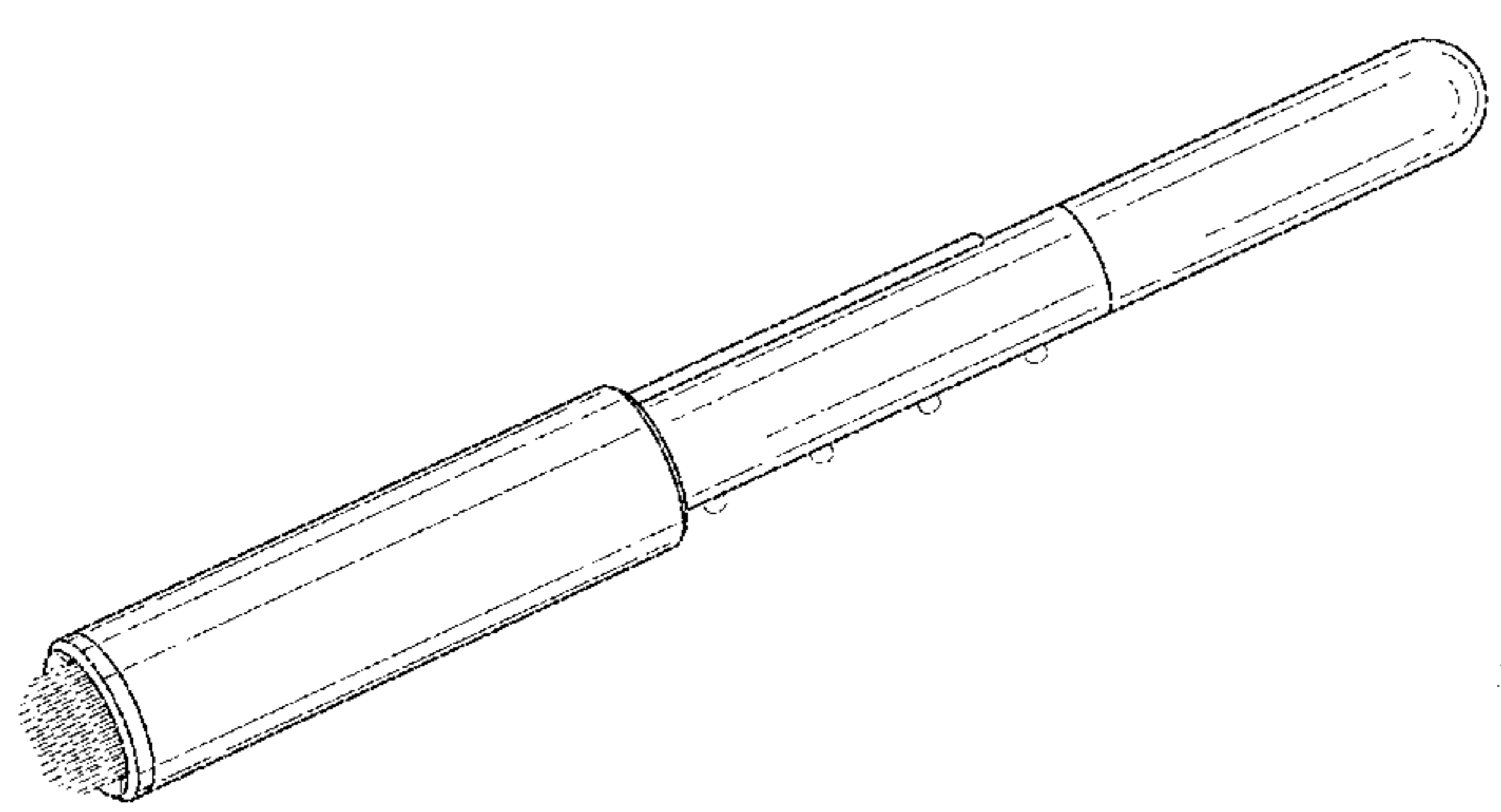
(57) **CLAIM**

The ornamental design for a cosmetics brush, as shown and described.

DESCRIPTION

FIG. 1 is a top, front and right-side perspective view of a cosmetics brush shown in a closed configuration.
FIG. 2 is an enlarged front elevation view thereof.
FIG. 3 is an enlarged rear elevation view thereof.
FIG. 4 is a right-side elevation view thereof.
FIG. 5 is a left-side elevation view thereof.
FIG. 6 is a top plan view thereof.
FIG. 7 is a bottom plan view thereof.
FIG. 8 is a top, front and right-side perspective view of the cosmetics brush shown in a fully-open configuration.
FIG. 9 is an enlarged front elevation view thereof.
FIG. 10 is an enlarged rear elevation view thereof.
FIG. 11 is a right-side elevation view thereof.
FIG. 12 is a left-side elevation view thereof.
FIG. 13 is a top plan view thereof.
FIG. 14 is a bottom plan view thereof.
FIG. 15 is a top plan view of the cosmetics brush shown in a partially-open configuration; and,
FIG. 16 is a bottom plan view thereof.
The bristles, pin extensions and pin apertures delineated in broken lines are environment and form no part of the claimed design.

1 Claim, 9 Drawing Sheets



(56)

References Cited

U.S. PATENT DOCUMENTS

D482,530	S	11/2003	Evans	
D598,655	S	8/2009	Thorpe	
D750,383	S	3/2016	Serrano	
D782,202	S	3/2017	Machiorlette	
D783,291	S	4/2017	Lin	
D787,190	S	5/2017	Machiorlette	
D788,471	S	6/2017	Dunaway	
D791,488	S	7/2017	Jain	
9,801,460	B2 *	10/2017	Lim	A46B 7/023
9,907,383	B2 *	3/2018	Posnick	A45D 33/02
D819,340	S	6/2018	Nicoline	
D823,605	S	7/2018	Nicoline	
D829,006	S	9/2018	Richards	
10,368,630	B2 *	8/2019	Jones	A46B 9/021
D862,899	S *	10/2019	Vasilakes	D4/122
D865,370	S	11/2019	Hwang	
D866,078	S	11/2019	West	
D866,190	S	11/2019	Hwang	
D866,192	S	11/2019	Hwang	
D869,849	S	12/2019	Chen	
D871,079	S	12/2019	Hwang	

* cited by examiner

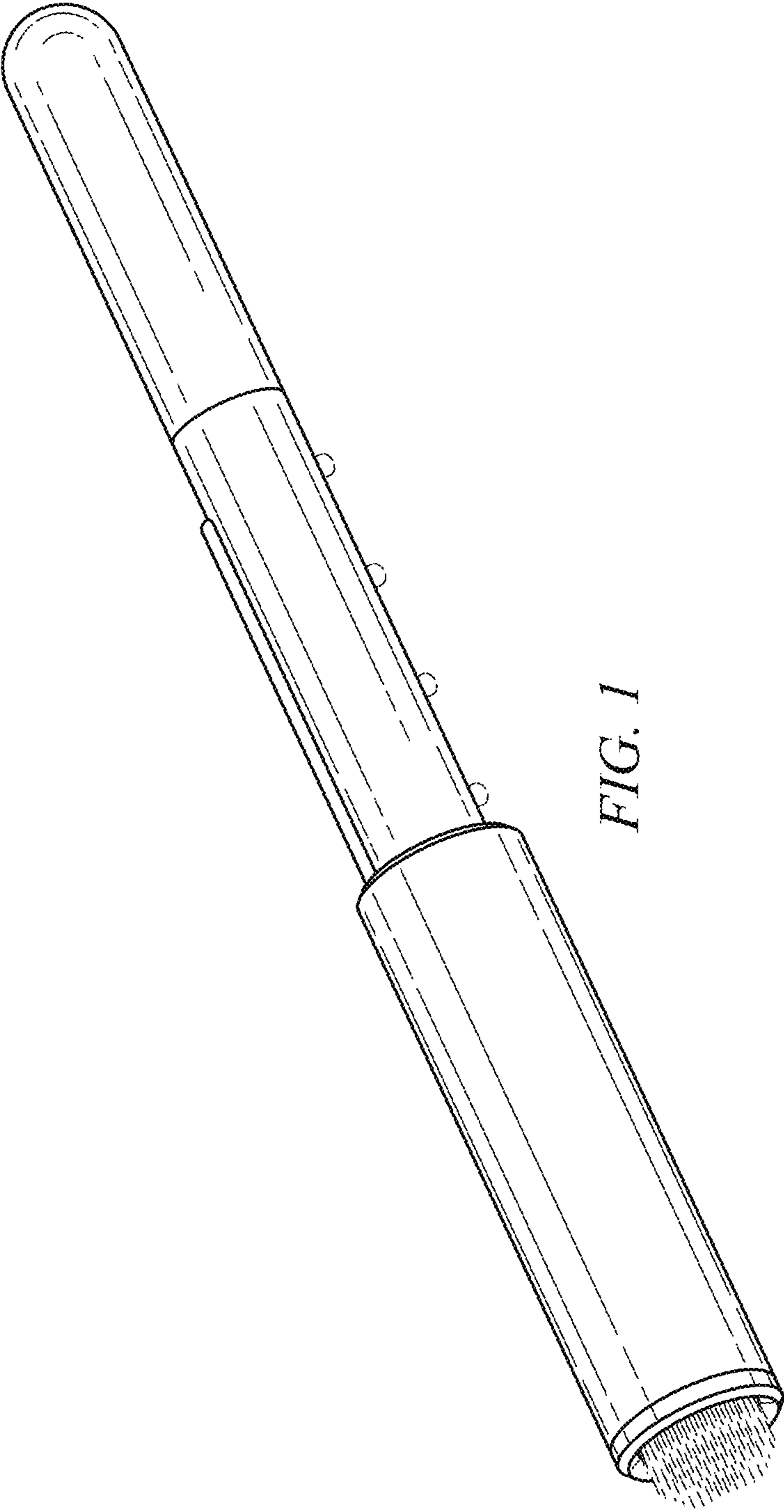


FIG. 1

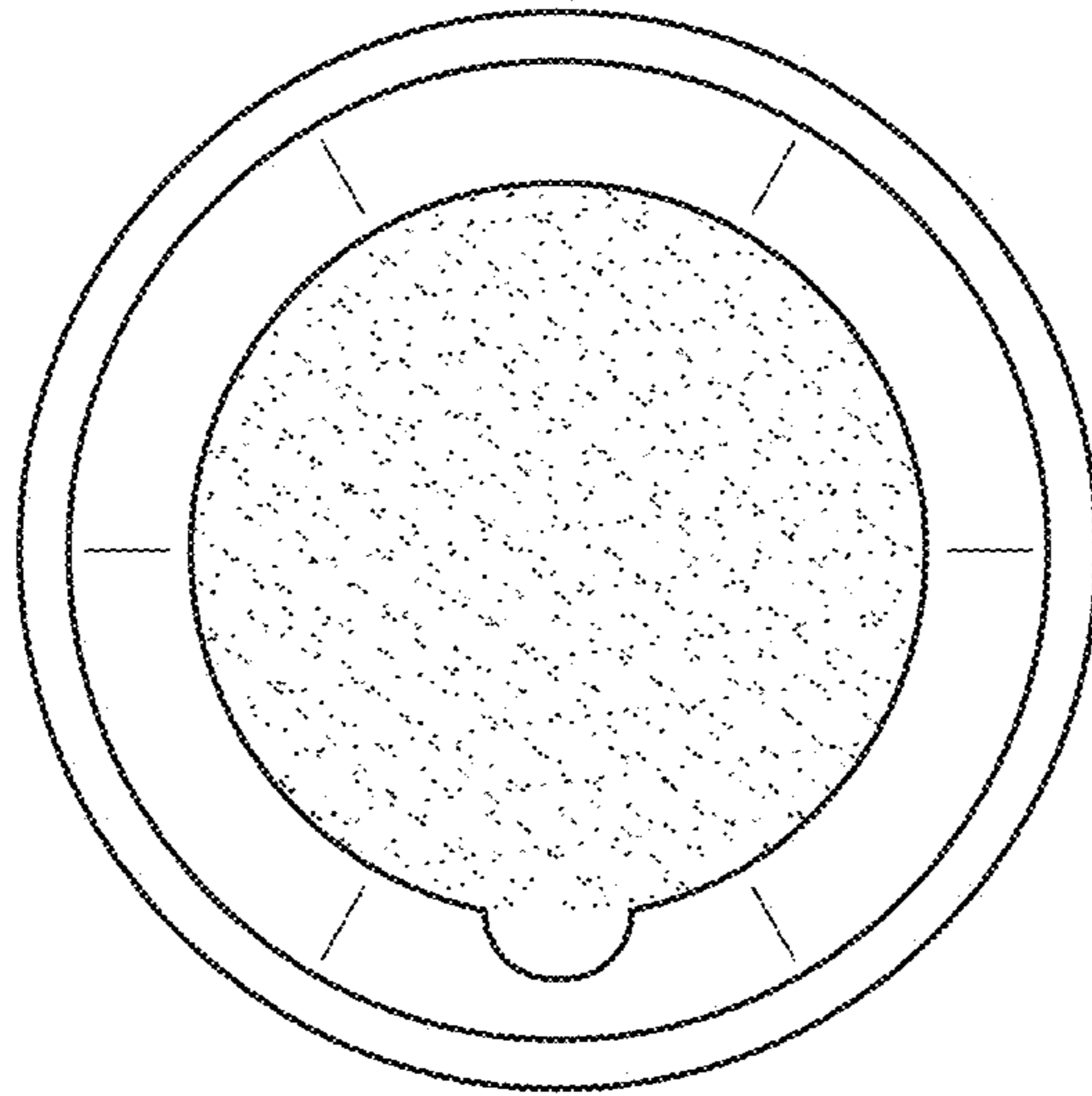


FIG. 2

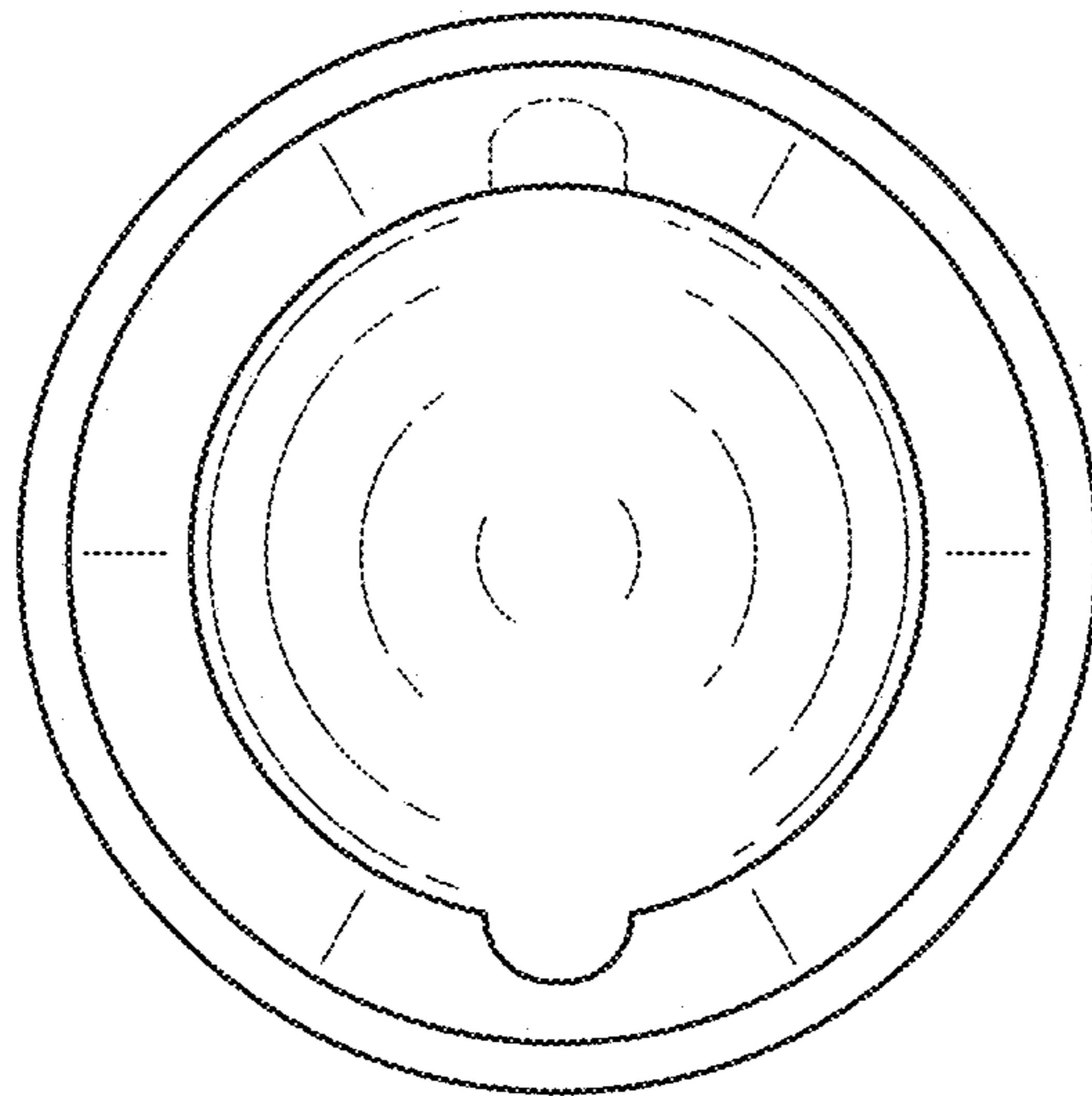


FIG. 3

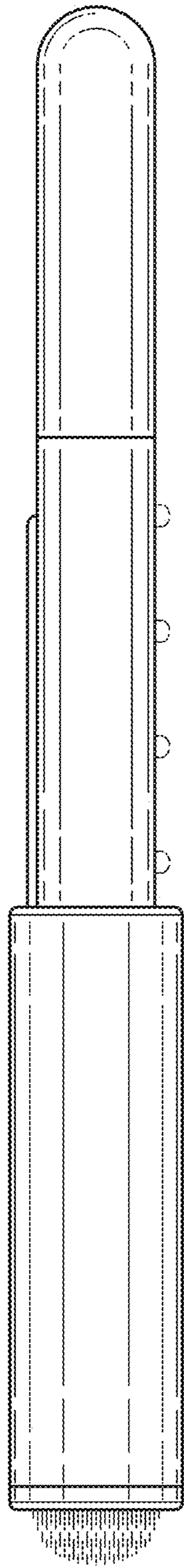


FIG. 4

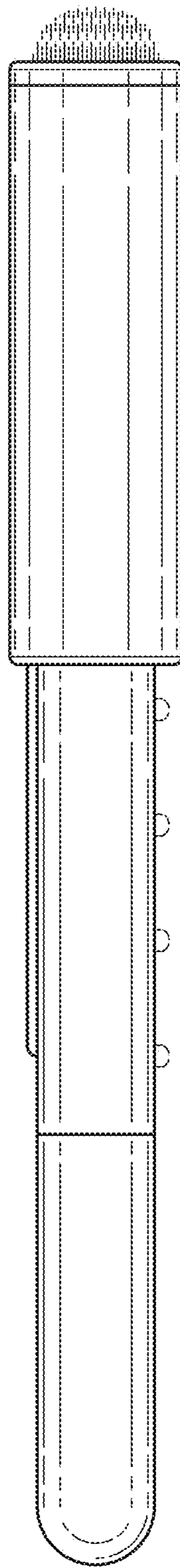


FIG. 5

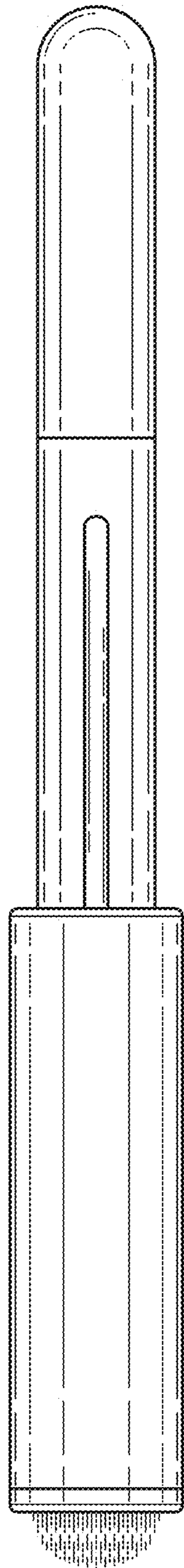


FIG. 6

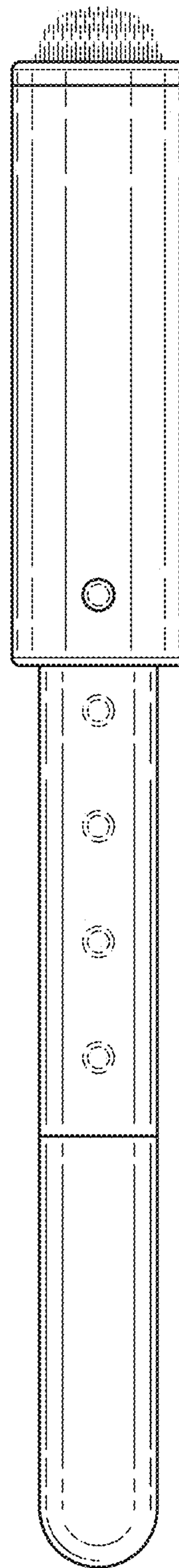


FIG. 7

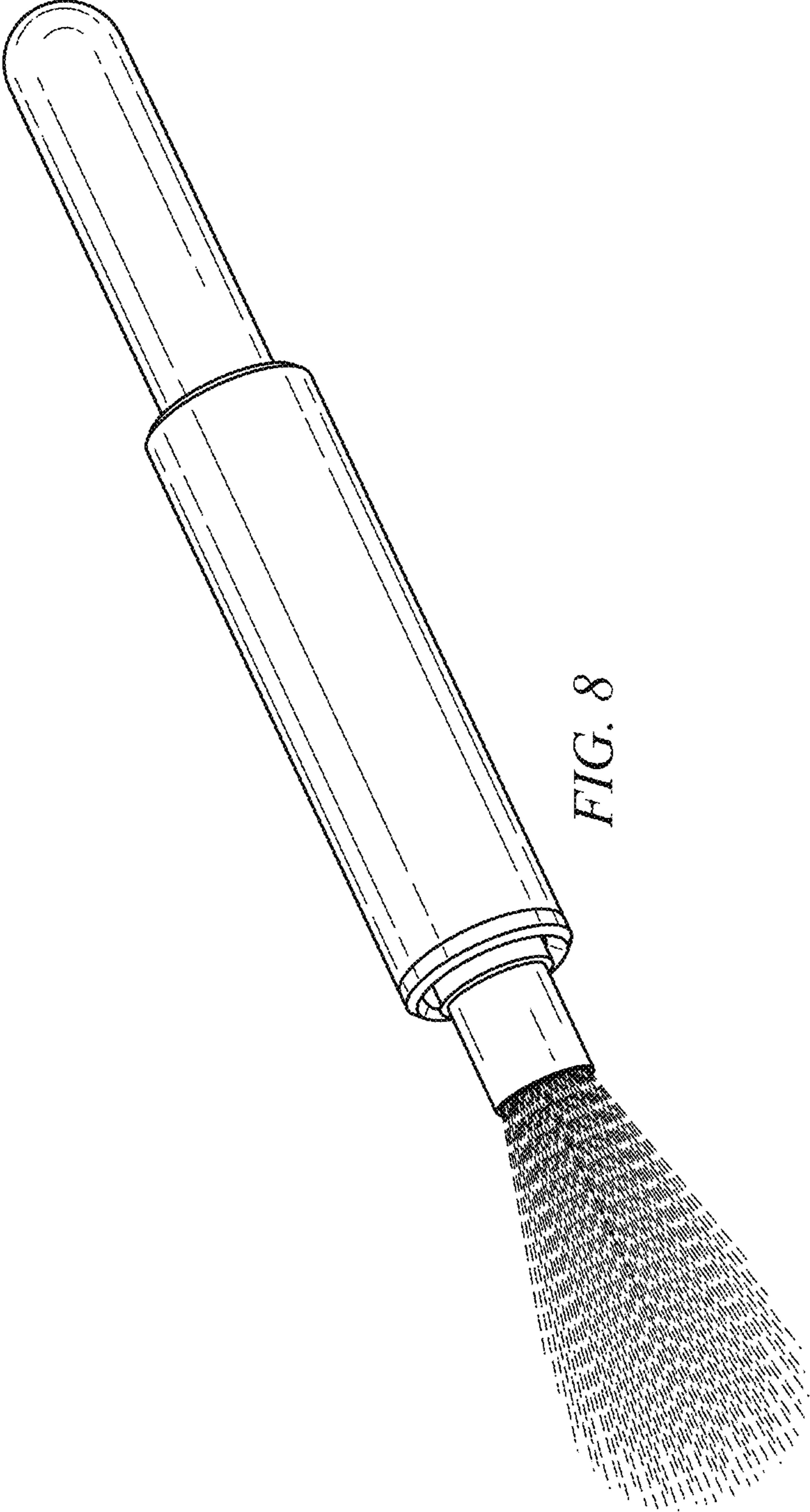


FIG. 8

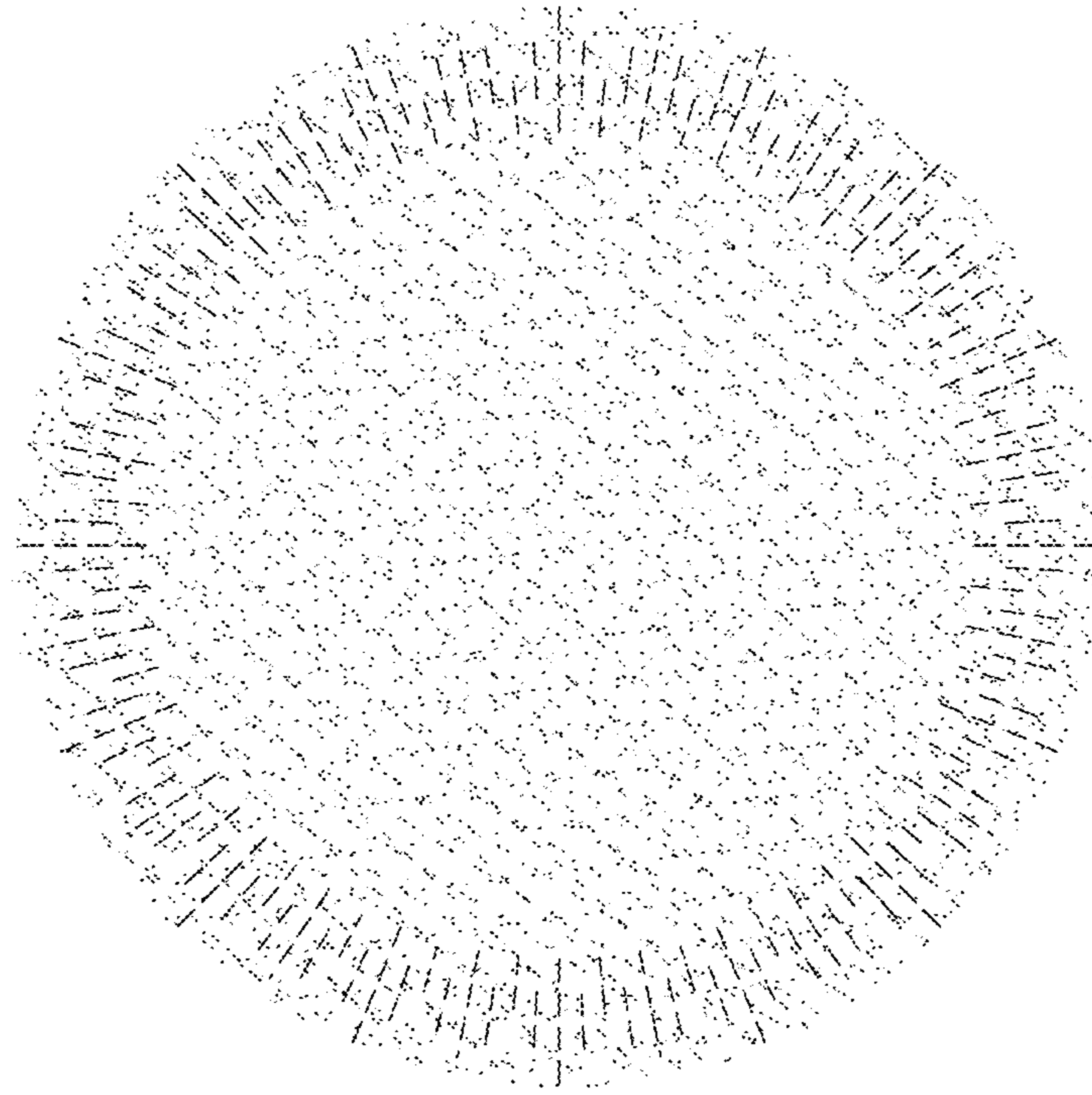


FIG. 9

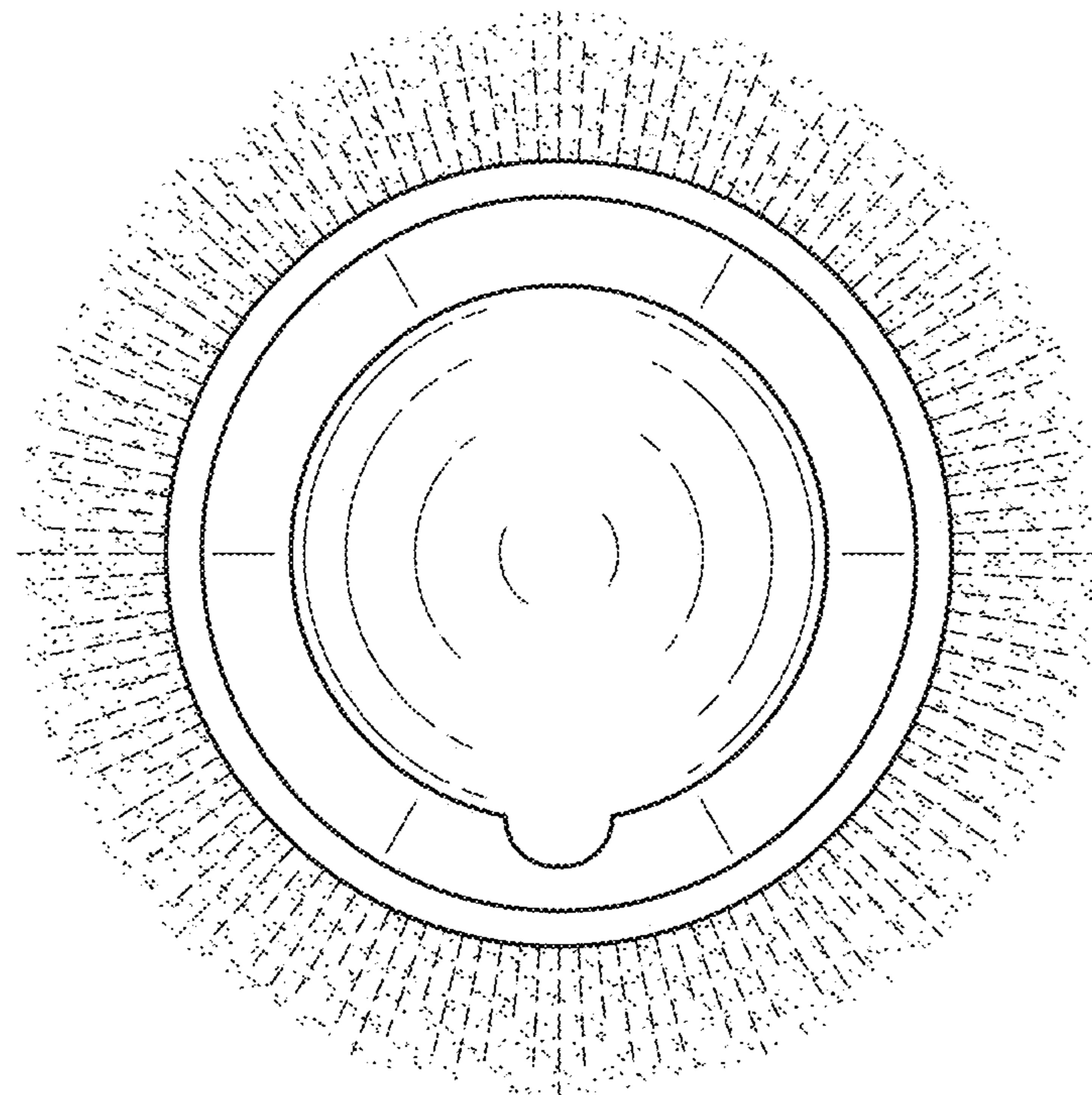


FIG. 10

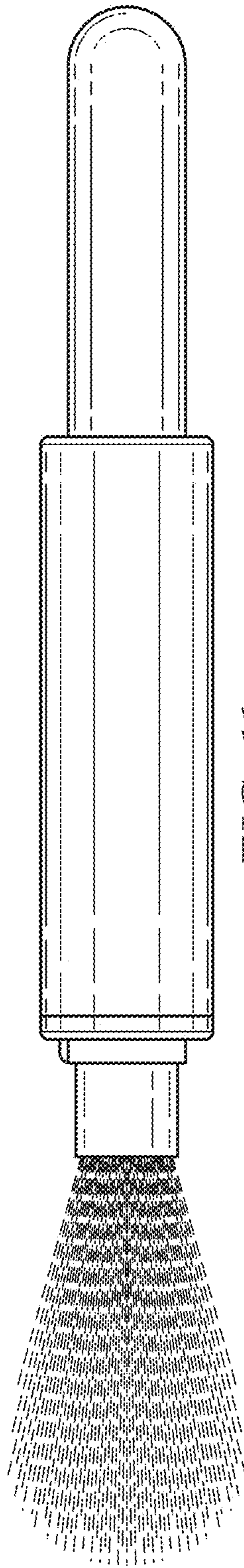


FIG. 11

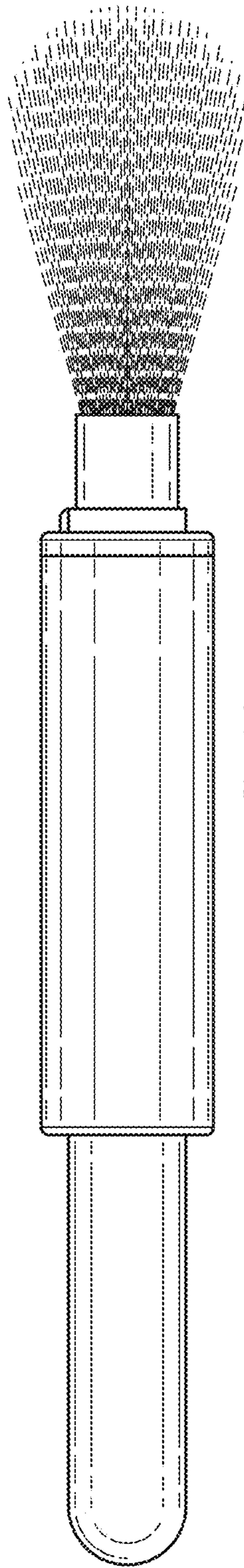


FIG. 12

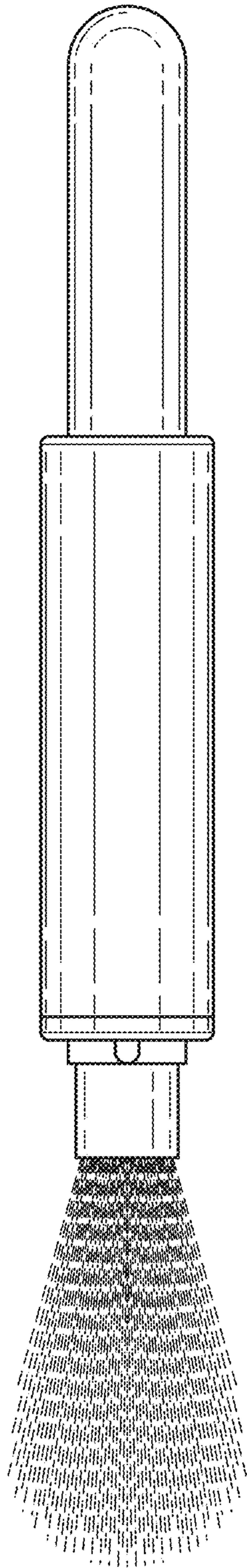


FIG. 13

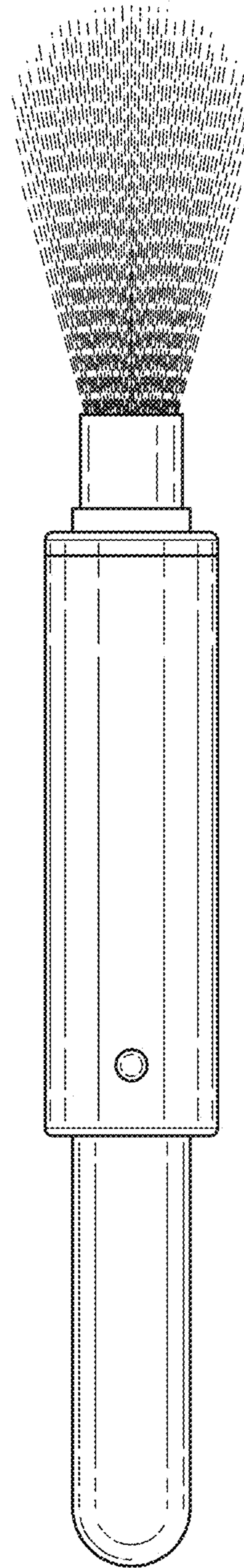


FIG. 14

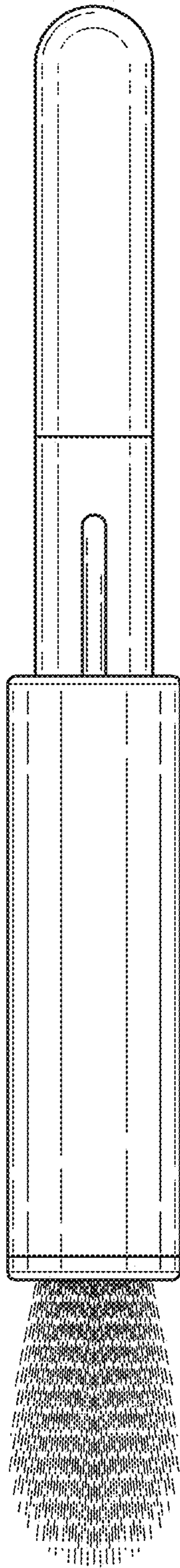


FIG. 15

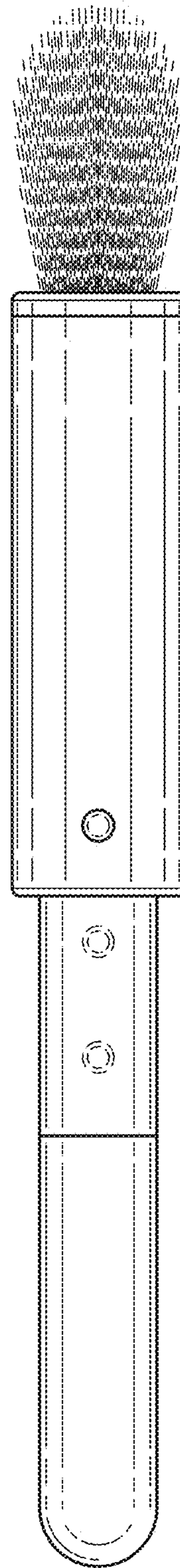


FIG. 16