



US00D891114S

(12) **United States Design Patent**  
**Kuang**

(10) **Patent No.:** **US D891,114 S**

(45) **Date of Patent:** **\*\* Jul. 28, 2020**

(54) **TOOTHBRUSH HEAD**

(71) Applicant: **Juanyun Kuang**, Shenzhen (CN)

(72) Inventor: **Juanyun Kuang**, Shenzhen (CN)

(\*\*) Term: **15 Years**

(21) Appl. No.: **29/675,871**

(22) Filed: **Jan. 6, 2019**

(51) **LOC (12) Cl.** ..... **04-02**

(52) **U.S. Cl.**  
USPC ..... **D4/101**

(58) **Field of Classification Search**

USPC ..... D4/100–113, 116–121, 127, 128, 134,  
D4/137, 138, 199; D24/107, 108, 133,  
D24/152, 176  
CPC .... A46B 9/00; A46B 9/02; A46B 9/04; A46B  
13/023; A46B 15/0002; A46B 15/0071;  
A46B 2200/1066; A46B 2200/1073;  
A61C 17/221; A61C 17/222

See application file for complete search history.

(56) **References Cited**

U.S. PATENT DOCUMENTS

D669,687 S \* 10/2012 Heil ..... D4/101

D715,057 S \* 10/2014 Adriaenssen ..... D4/101  
2012/0291212 A1\* 11/2012 Montagnino ..... A61C 17/40  
15/167.1  
2017/0143957 A1\* 5/2017 Johansson ..... A61N 1/322

\* cited by examiner

*Primary Examiner* — George A Bugg

*Assistant Examiner* — Tamara L Hahn

(74) *Attorney, Agent, or Firm* — Li & Cai Intellectual  
Property Office

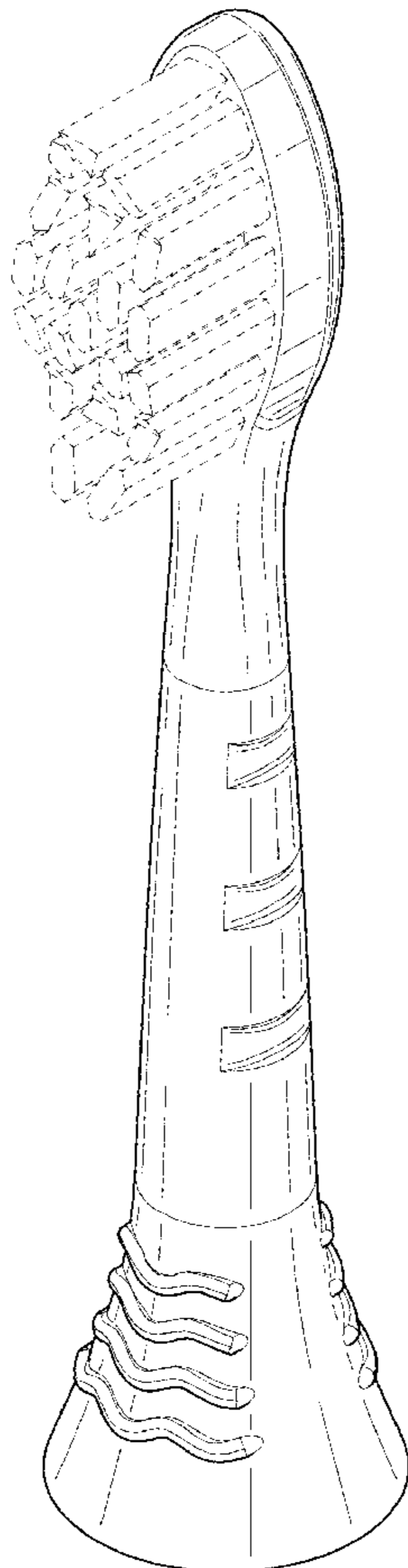
(57) **CLAIM**

The ornamental design for a toothbrush head, as shown and  
described.

**DESCRIPTION**

FIG. 1 is a front perspective view of a toothbrush head  
showing my new design;  
FIG. 2 is a front view thereof;  
FIG. 3 is a rear view thereof;  
FIG. 4 is a left side view thereof;  
FIG. 5 is a right side view thereof;  
FIG. 6 is a top view thereof;  
FIG. 7 is a bottom view thereof; and,  
FIG. 8 is a rear perspective view thereof.  
The broken lines depict portions of the toothbrush head in  
which the design is embodied that form no part of the  
claimed design.

**1 Claim, 7 Drawing Sheets**



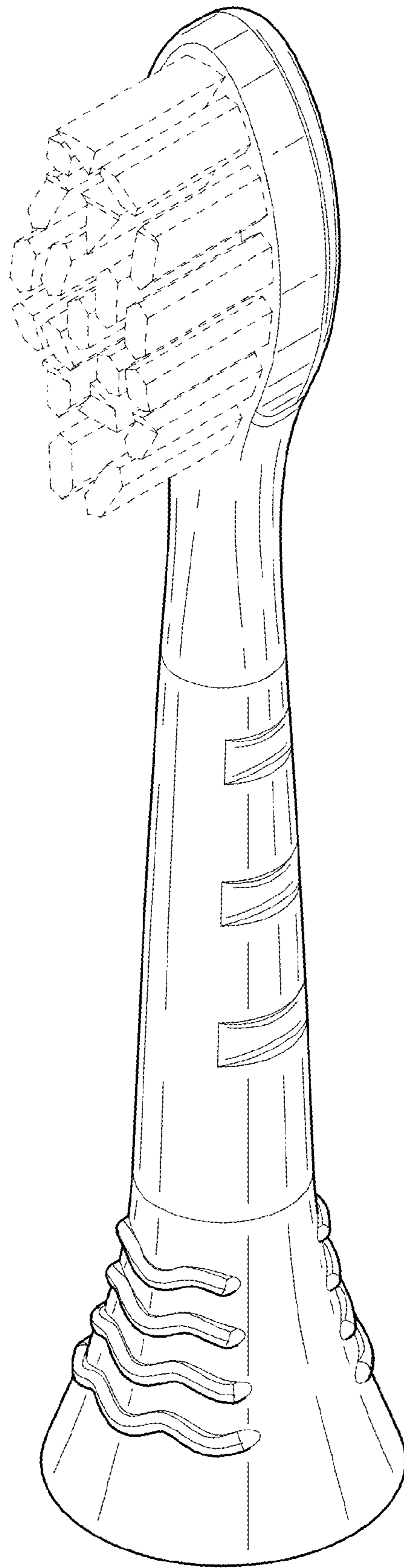


FIG. 1

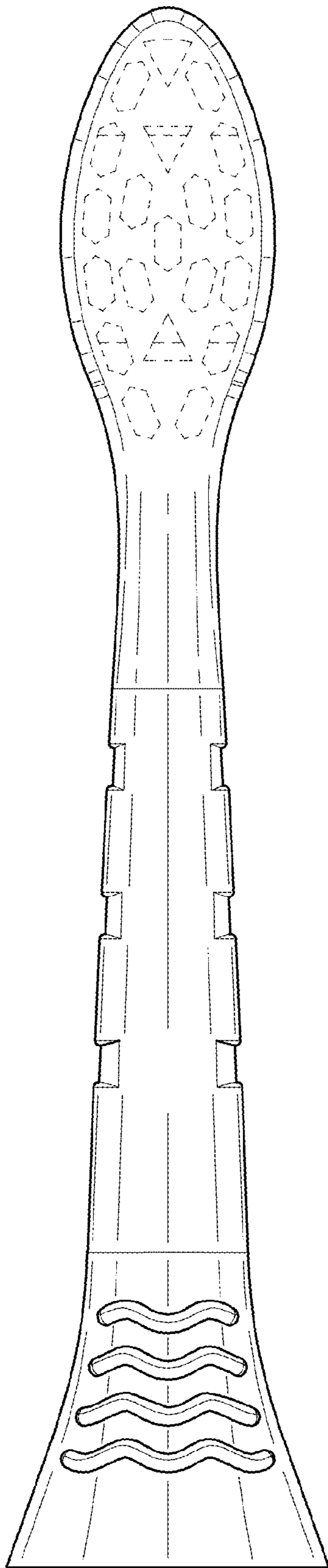


FIG. 2

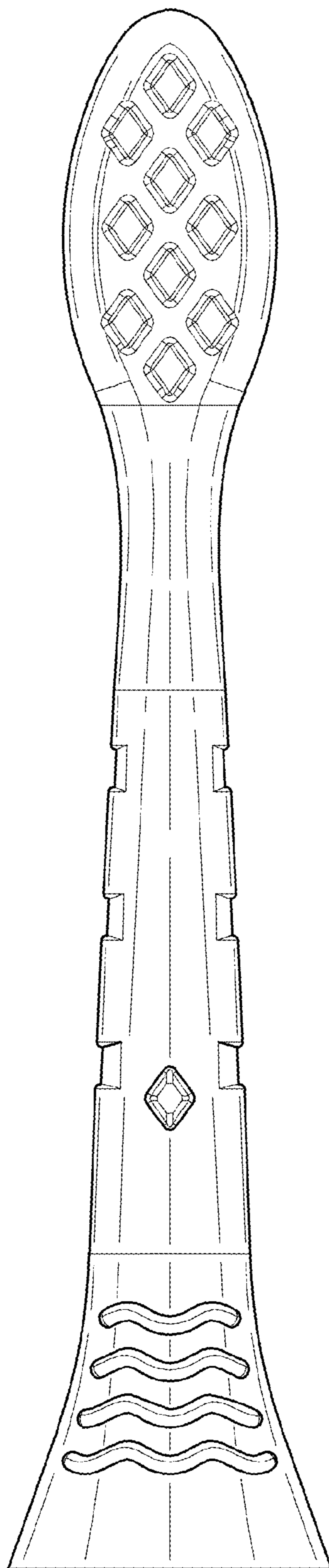


FIG. 3

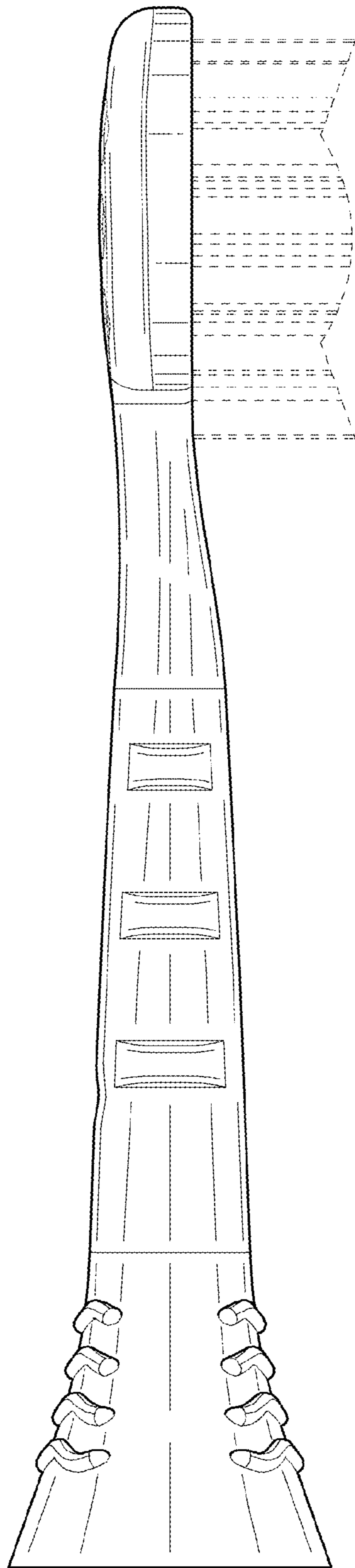


FIG. 4

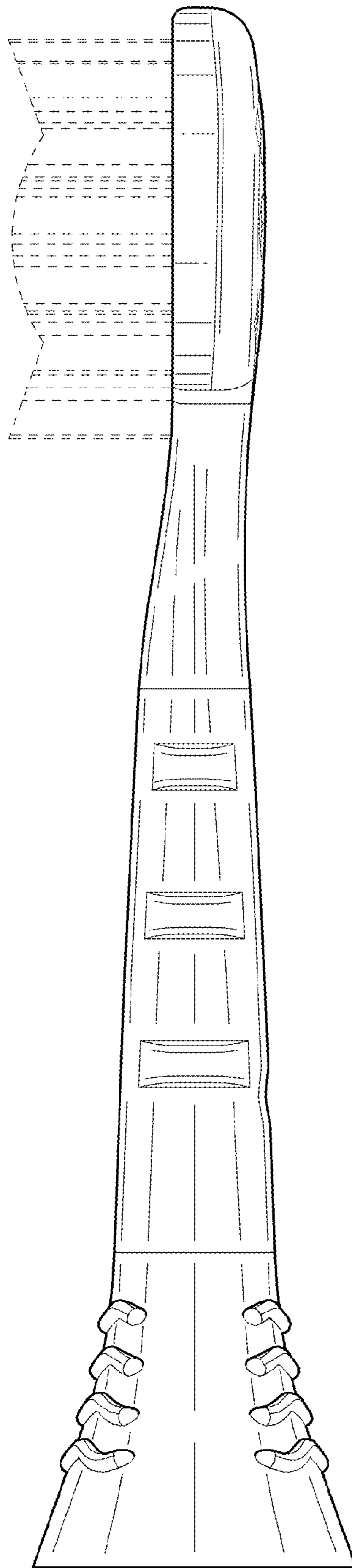


FIG. 5

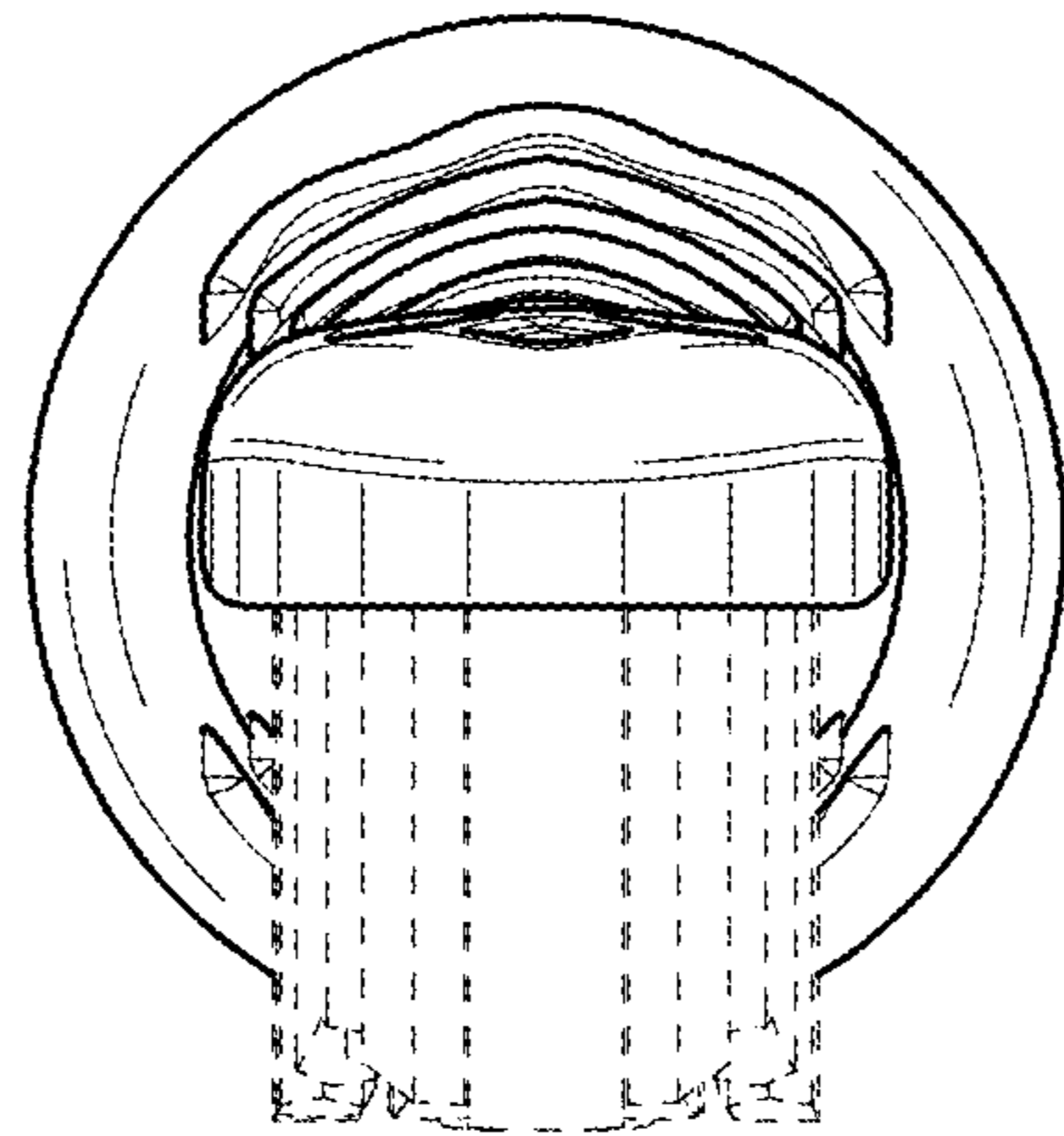


FIG. 6

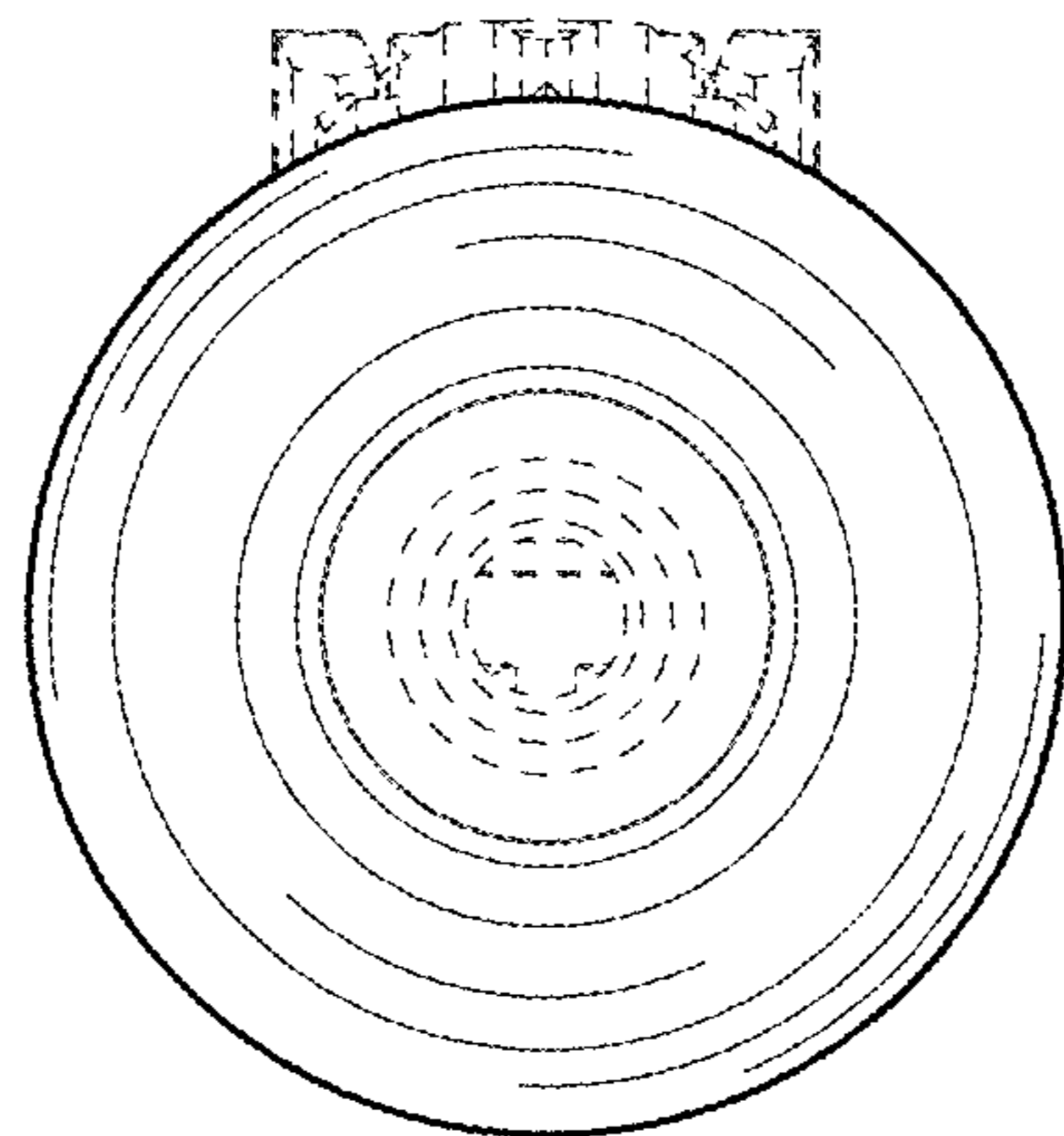


FIG. 7

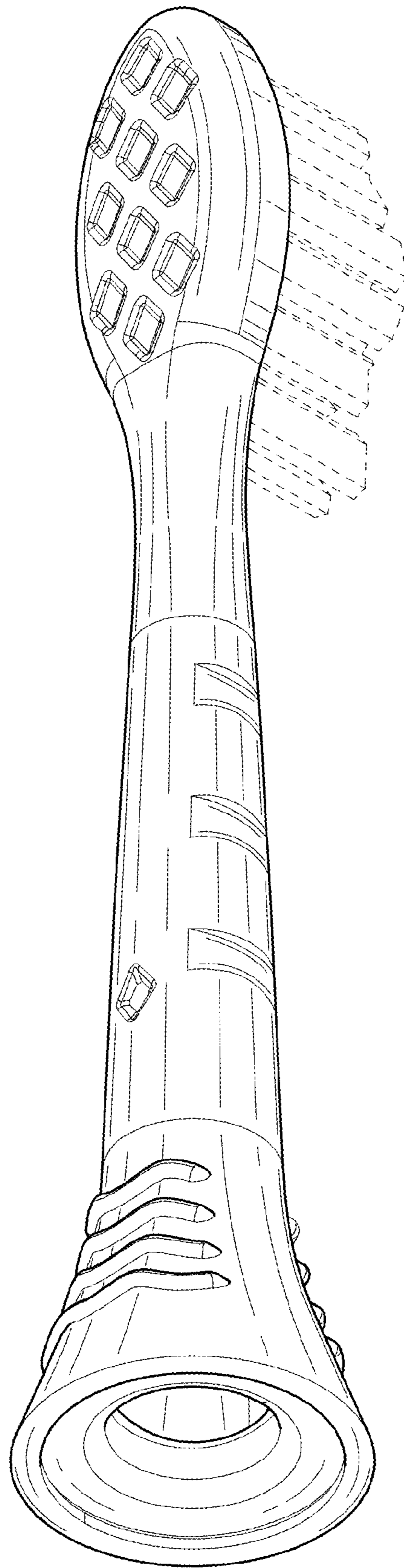


FIG. 8