

US00D891113S

(12) **United States Design Patent** (10) **Patent No.:** **US D891,113 S**
Yoon (45) **Date of Patent:** **** Jul. 28, 2020**

(54) **SKIN CLEANSING APPARATUS**
(71) Applicant: **LG ELECTRONICS INC., Seoul (KR)**
(72) Inventor: **Sanghoon Yoon, Seoul (KR)**
(73) Assignee: **LG Electronics Inc., Seoul (KR)**
(**) Term: **15 Years**

D814,804 S *	4/2018	Roth	D4/134
D819,338 S *	6/2018	Xiong	D4/102
D822,387 S *	7/2018	Tai	D4/100
D823,606 S *	7/2018	Roth	D4/134
D838,045 S *	1/2019	Miller	D28/63
D838,112 S *	1/2019	Yi	D4/120
D843,732 S *	3/2019	Kling	D4/127
D844,334 S *	4/2019	Lee	D4/134
D852,972 S *	7/2019	Sedic	D24/214
D863,586 S *	10/2019	Miller	D24/214
D864,577 S *	10/2019	Keast	D4/102
D864,860 S *	10/2019	Zhan	D13/108
D870,307 S *	12/2019	Sedic	A61H 23/004
				D24/215
D872,940 S *	1/2020	Tammabattula	D28/63
D876,841 S *	3/2020	Odunsi	D4/119

(21) Appl. No.: **35/506,995**
(22) Filed: **Dec. 10, 2018**

(80) **Hague Agreement Data**
Int. Filing Date: **Dec. 10, 2018**
Int. Reg. No.: **DM/201521**
Int. Reg. Date: **Dec. 10, 2018**
Int. Reg. Pub. Date: **Jun. 28, 2019**

* cited by examiner

Primary Examiner — Rhea Shields
(74) *Attorney, Agent, or Firm* — Birch, Stewart, Kolasch & Birch, LLP

(30) **Foreign Application Priority Data**
Jun. 11, 2018 (KR) 30-2018-0026843
(51) **LOC (12) Cl.** **04-02**
(52) **U.S. Cl.**
USPC **D4/100**
(58) **Field of Classification Search**
USPC D4/100, 119, 102, 127, 120, 134;
D24/214, 215; D28/63; D13/108
CPC A61H 23/004
See application file for complete search history.

(57) **CLAIM**

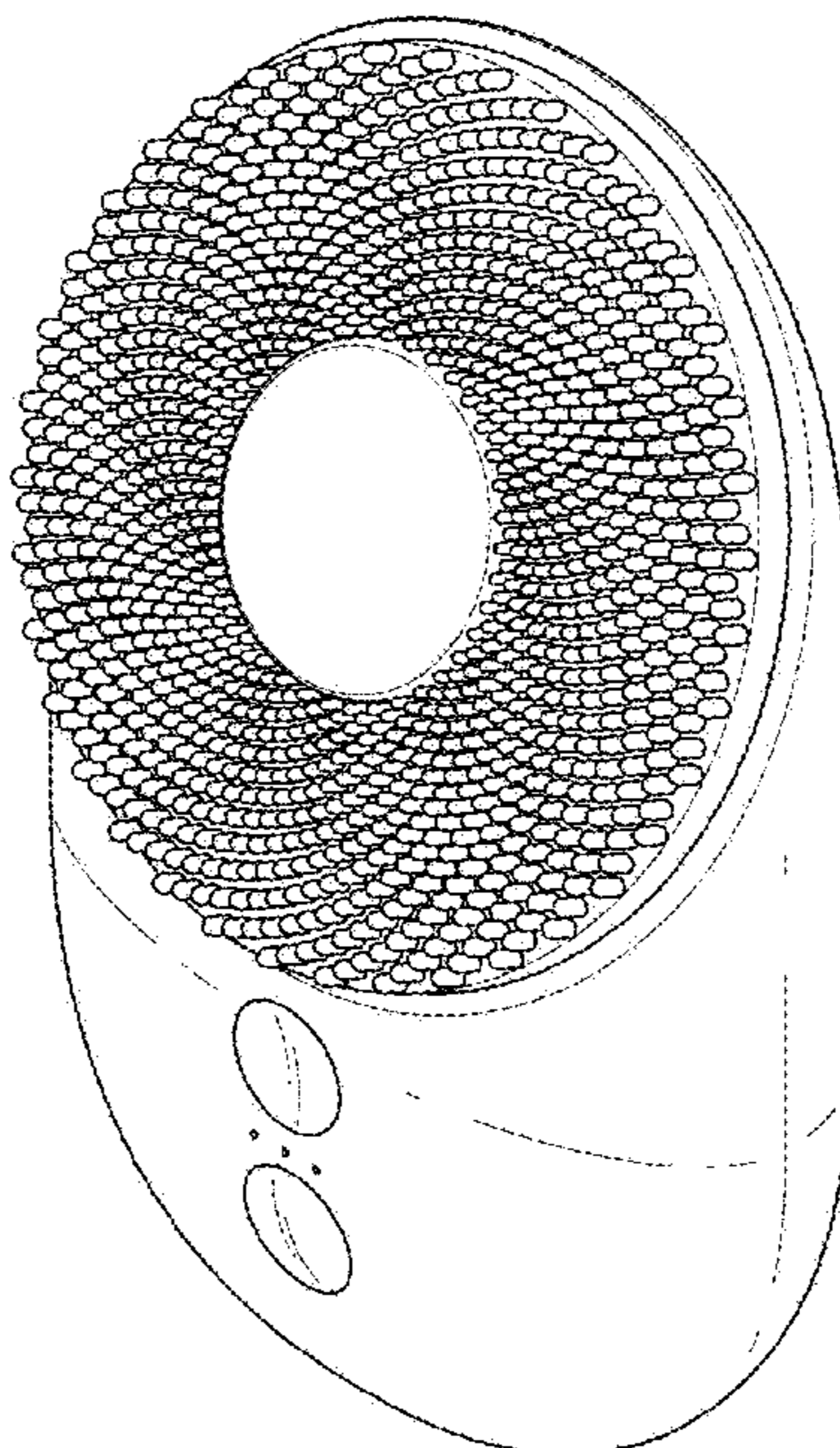
The ornamental design for a skin cleaning apparatus, as shown and described.

DESCRIPTION

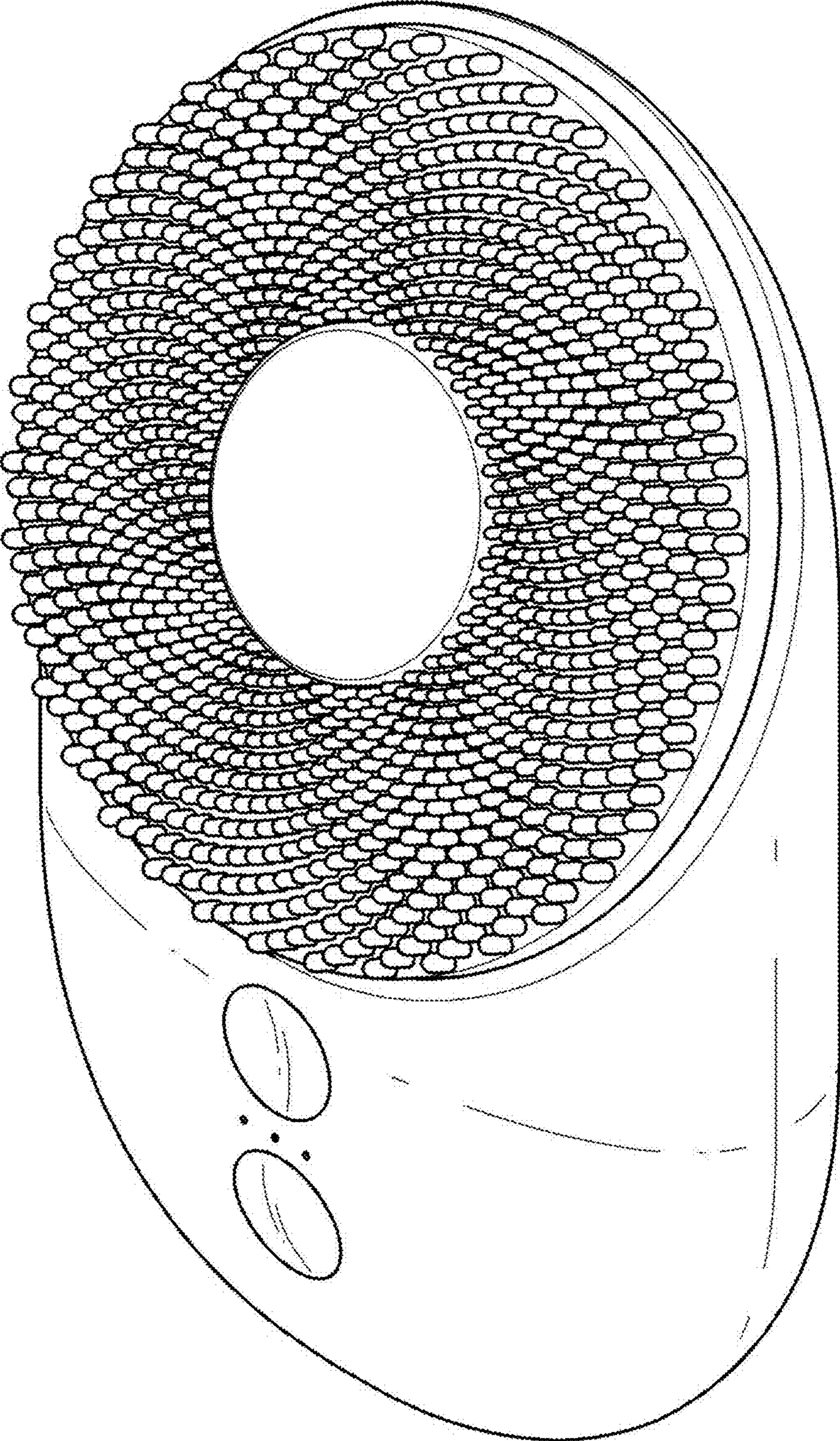
1. Skin cleansing apparatus
1.1 is a front perspective view;
1.2 is a front view;
1.3 is a back view;
1.4 is a side view;
1.5 is a side view;
1.6 is a top view;
1.7 is a bottom view; and
1.8 is another perspective view.
The broken lines indicate unclaimed portion of the article that form no part of the claimed design.

(56) **References Cited**
U.S. PATENT DOCUMENTS
D773,064 S * 11/2016 Sedic D24/214
D804,189 S * 12/2017 von Berg D4/100

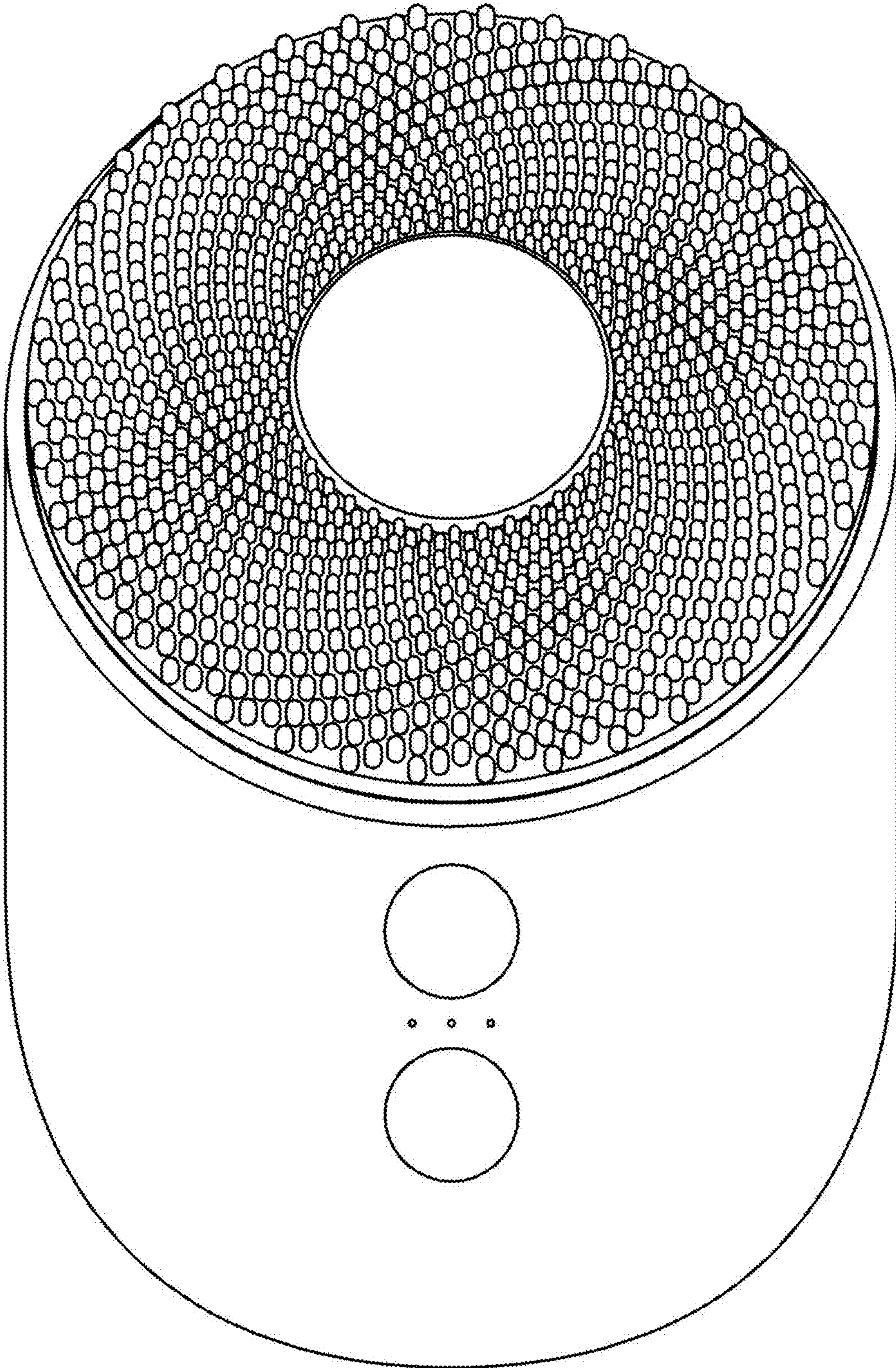
1 Claim, 8 Drawing Sheets



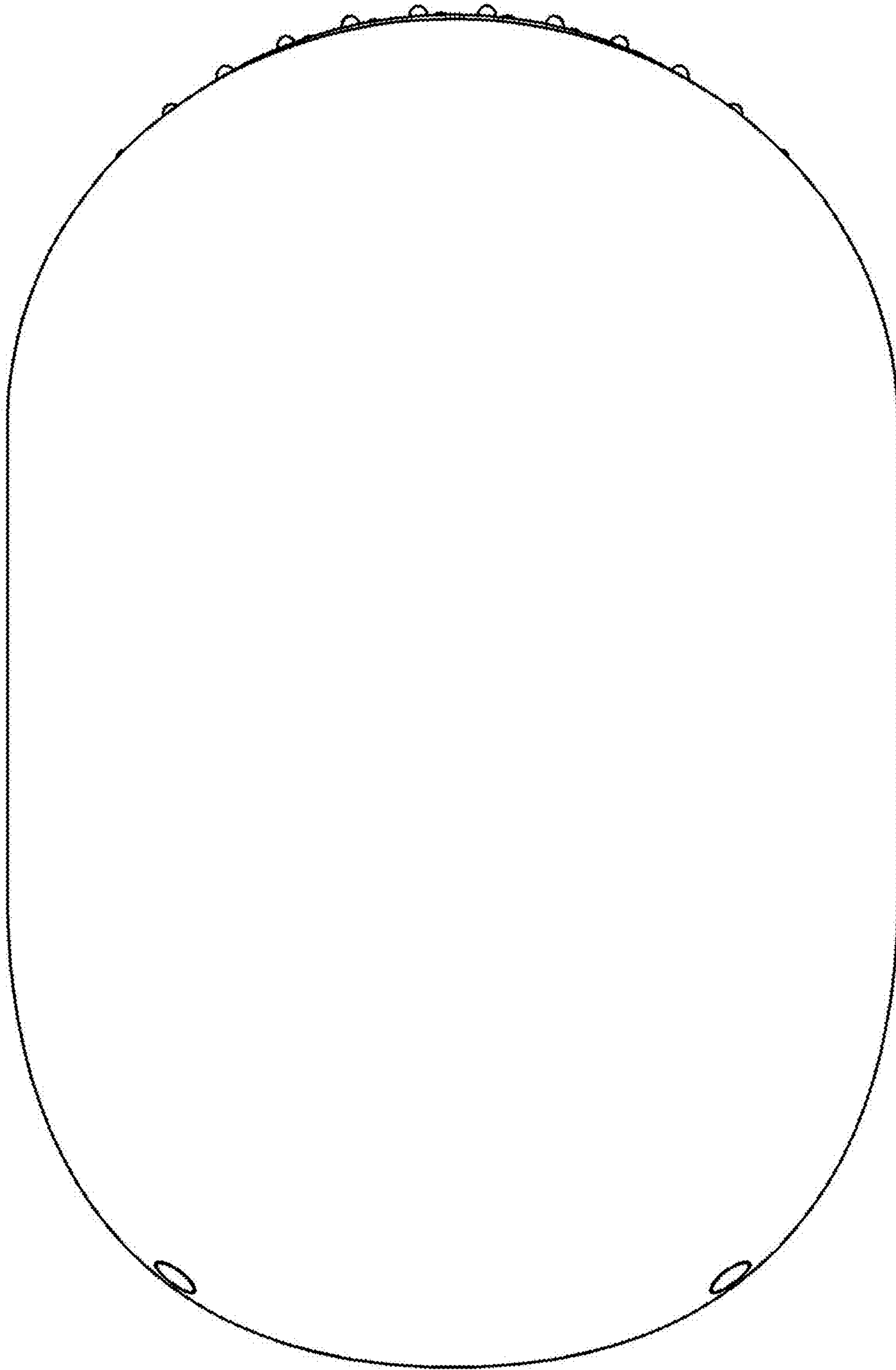
1.1



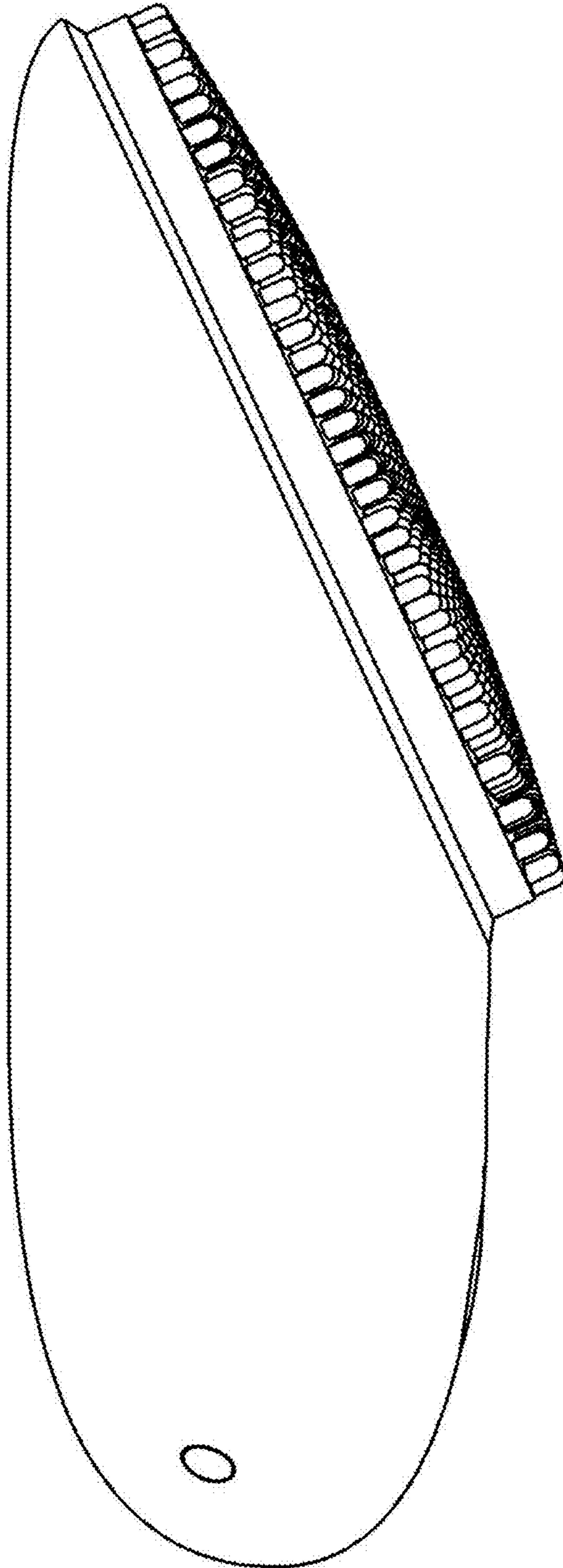
1.2



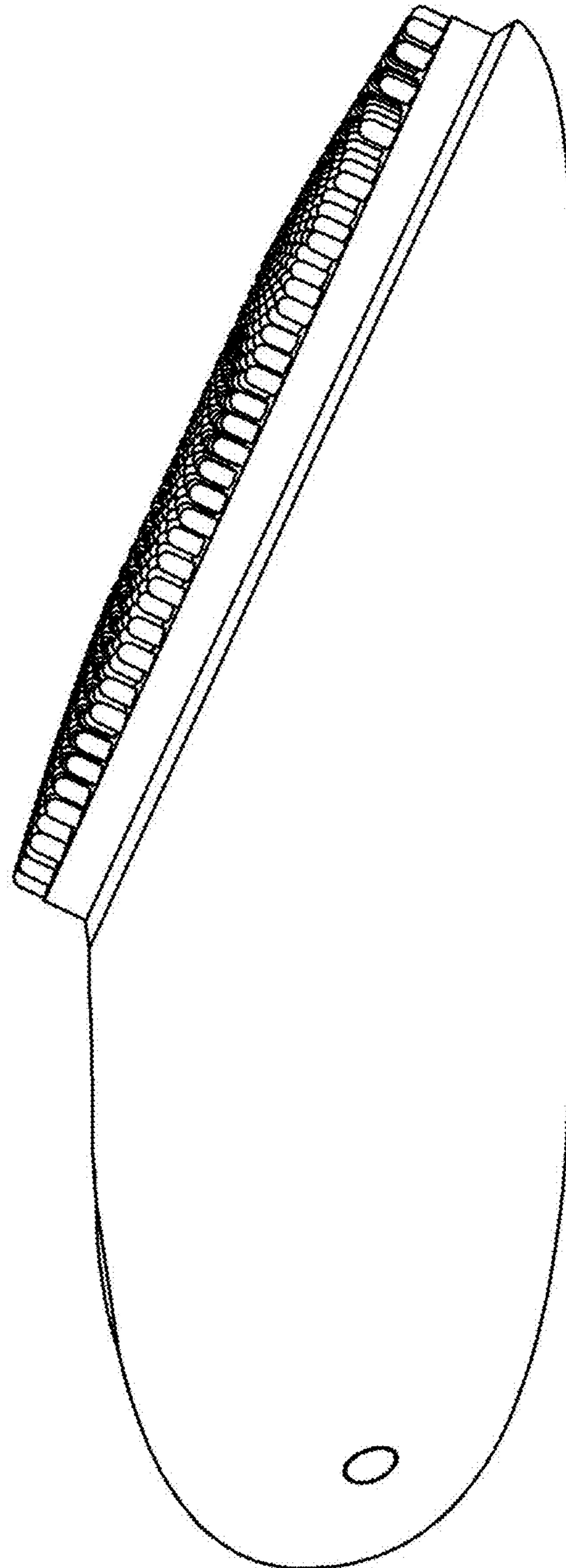
1.3



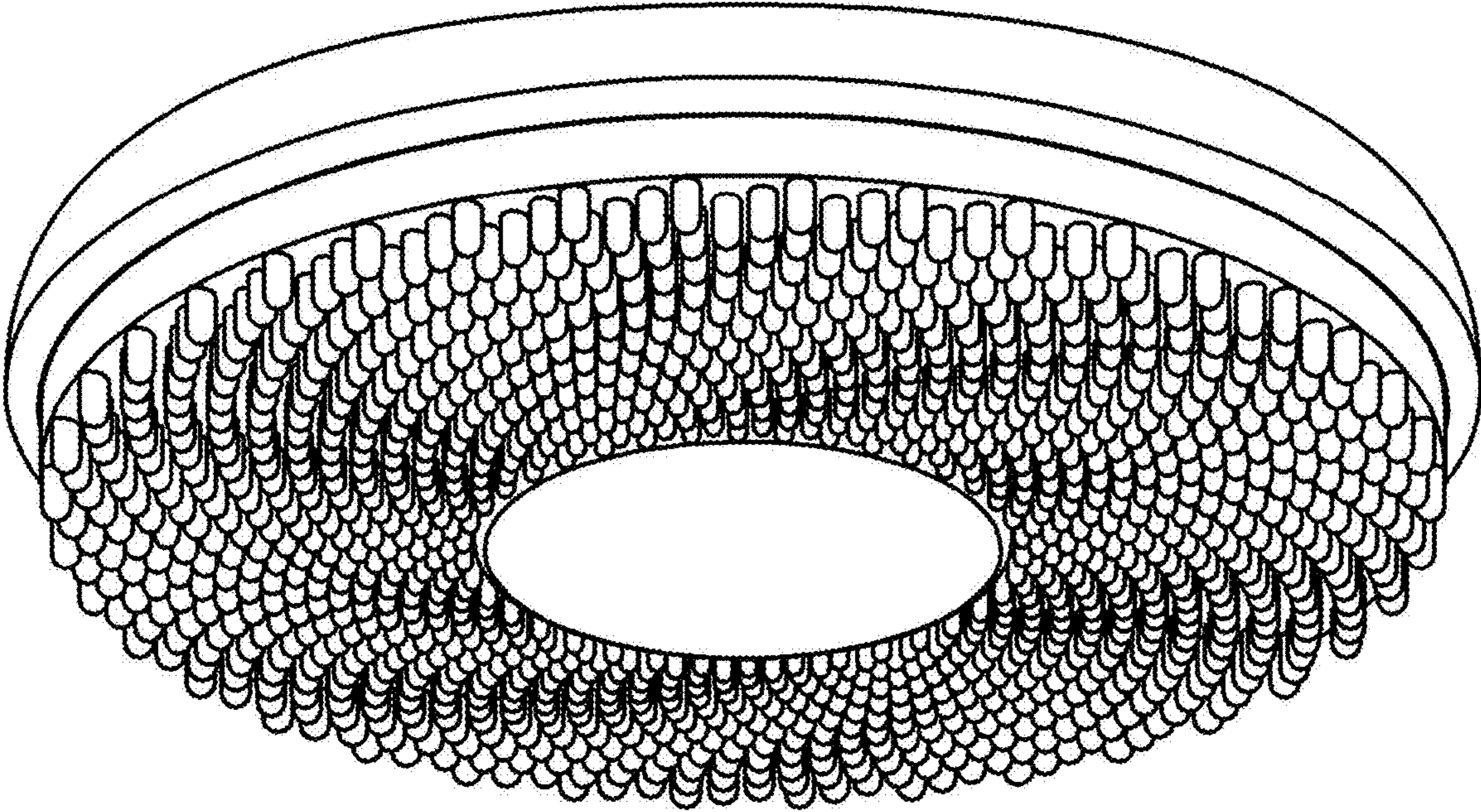
1.4



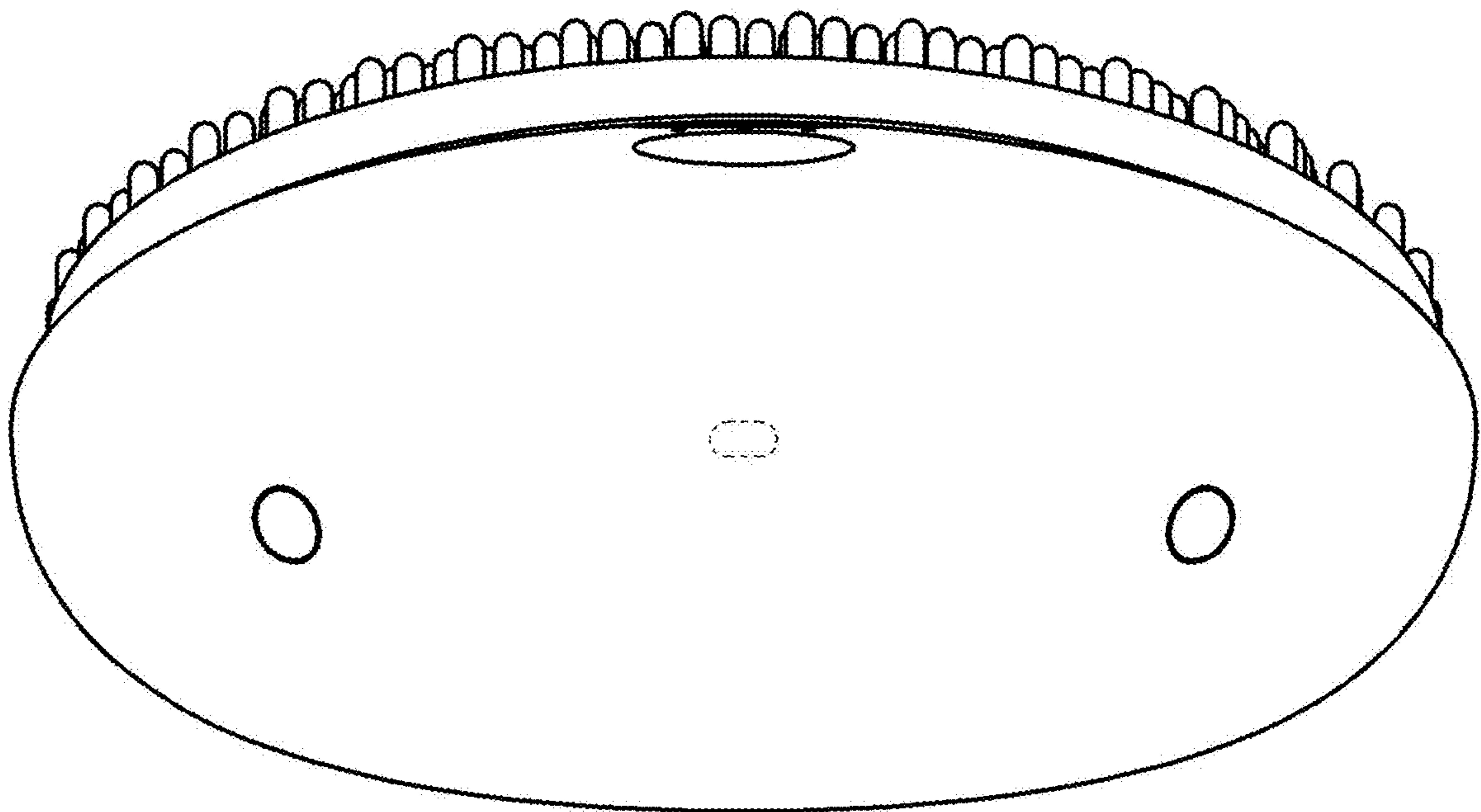
1.5



1.6



1.7



1.8

