



US00D891107S

(12) **United States Design Patent**  
**Paik et al.**

(10) **Patent No.:** **US D891,107 S**  
(45) **Date of Patent:** **\*\* Jul. 28, 2020**

(54) **STRAP FASTENING MEMBER FOR BAG**

(71) Applicant: **WOJIN PLASTIC CO., LTD.**,  
Guri-si, Gyeonggi-do (KR)

(72) Inventors: **Jisook Paik**, Seoul (KR); **Nan Hee Paik**, Seoul (KR); **Ji Hye Paik**, Seoul (KR); **Ji Won Son**, Seoul (KR)

(73) Assignee: **WOJIN PLASTIC CO., LTD.**,  
Guri-si, Gyeonggi-Do (KR)

(\*\*) Term: **15 Years**

(21) Appl. No.: **29/673,907**

(22) Filed: **Dec. 18, 2018**

(51) **LOC (12) Cl.** ..... **03-01**

(52) **U.S. Cl.**  
USPC ..... **D3/318**

(58) **Field of Classification Search**  
USPC ..... D3/215, 318, 327-328, 232-233,  
D3/240-241, 242-246, 324; D11/218;  
24/171; 150/100, 103-104, 106-119  
CPC ..... A45C 5/00; A45C 5/14; A45C 7/0018;  
A45C 11/18; A45C 13/22; A45C  
2003/008; A41F 15/002; A44B 11/065;  
E05B 65/52

See application file for complete search history.

(56) **References Cited**

**U.S. PATENT DOCUMENTS**

D510,297 S \* 10/2005 Funo ..... D11/218  
D610,946 S \* 3/2010 Harada ..... D11/200

D690,110 S \* 9/2013 Degembe ..... D3/318  
D703,100 S \* 4/2014 Saitu ..... D11/218  
D732,295 S \* 6/2015 Aafjes ..... D3/318  
D768,993 S \* 10/2016 Eakin ..... D3/327  
D844,992 S \* 4/2019 Seiders ..... D3/318

\* cited by examiner

*Primary Examiner* — Catherine R Oliver-Garcia  
(74) *Attorney, Agent, or Firm* — Novick, Kim & Lee,  
PLLC; Jae Youn Kim; Hyun Woo Shin

(57) **CLAIM**

The ornamental design for a strap fastening member for bag, as shown and described.

**DESCRIPTION**

FIG. 1 is a perspective view of a strap fastening member for bag showing our new design;  
FIG. 2 is a front view thereof;  
FIG. 3 is a rear view thereof;  
FIG. 4 is a left-side view thereof;  
FIG. 5 is a right-side view thereof;  
FIG. 6 is a top view thereof;  
FIG. 7 is a bottom view thereof; and,  
FIG. 8 is a cross-sectional view taken along line A-A in FIG. 2.

The subject design is a buckle member for attaching a strap connected to a bag, a backpack or the like, wherein one side adjusts the strap to fit the body part of the user and the other side can be fixed by connecting two straps at one position at the same time or it can be configured in a length-adjustable form. The subject design comprises two straps that can be set arbitrarily for each strap.

**1 Claim, 8 Drawing Sheets**

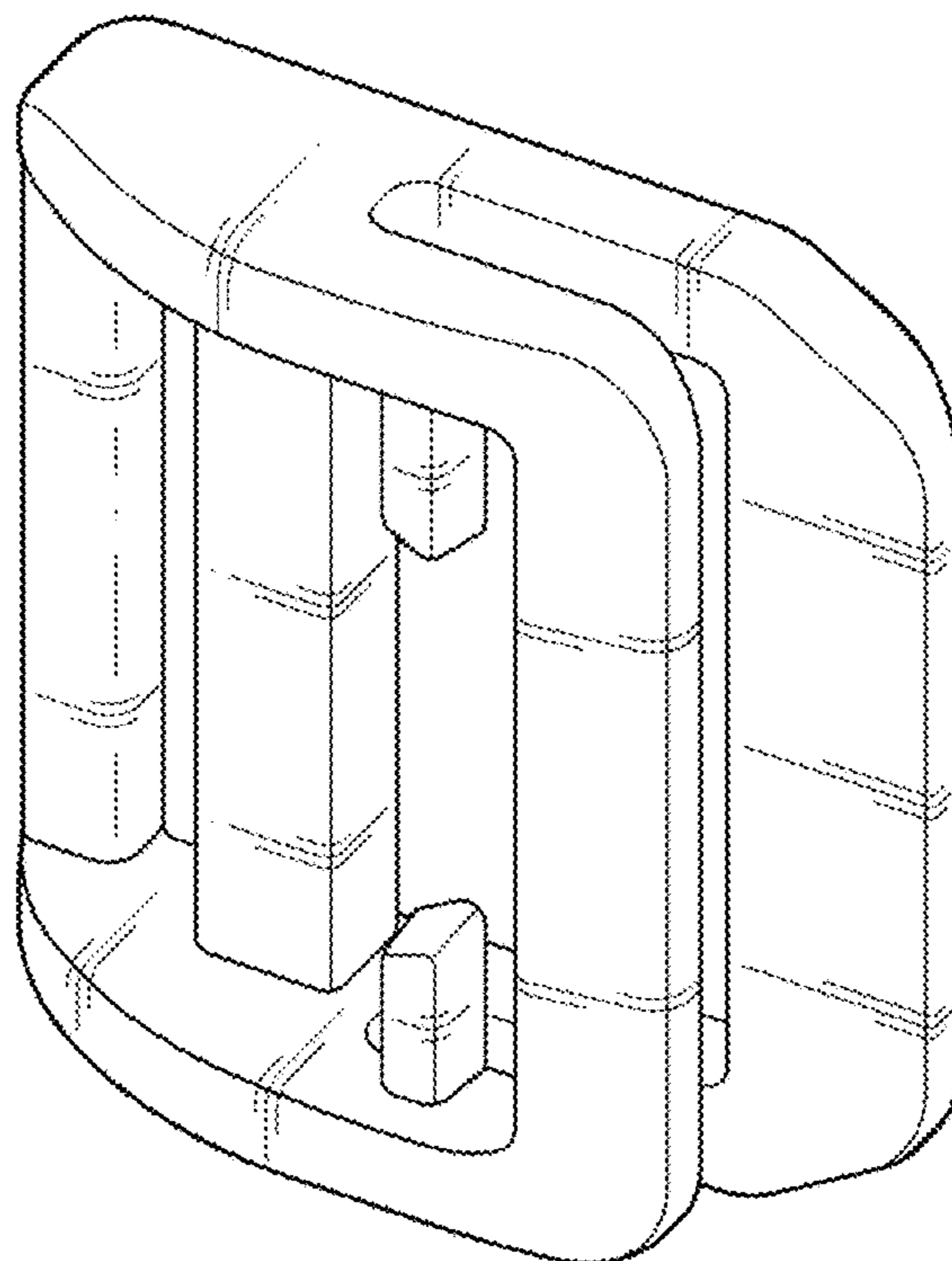
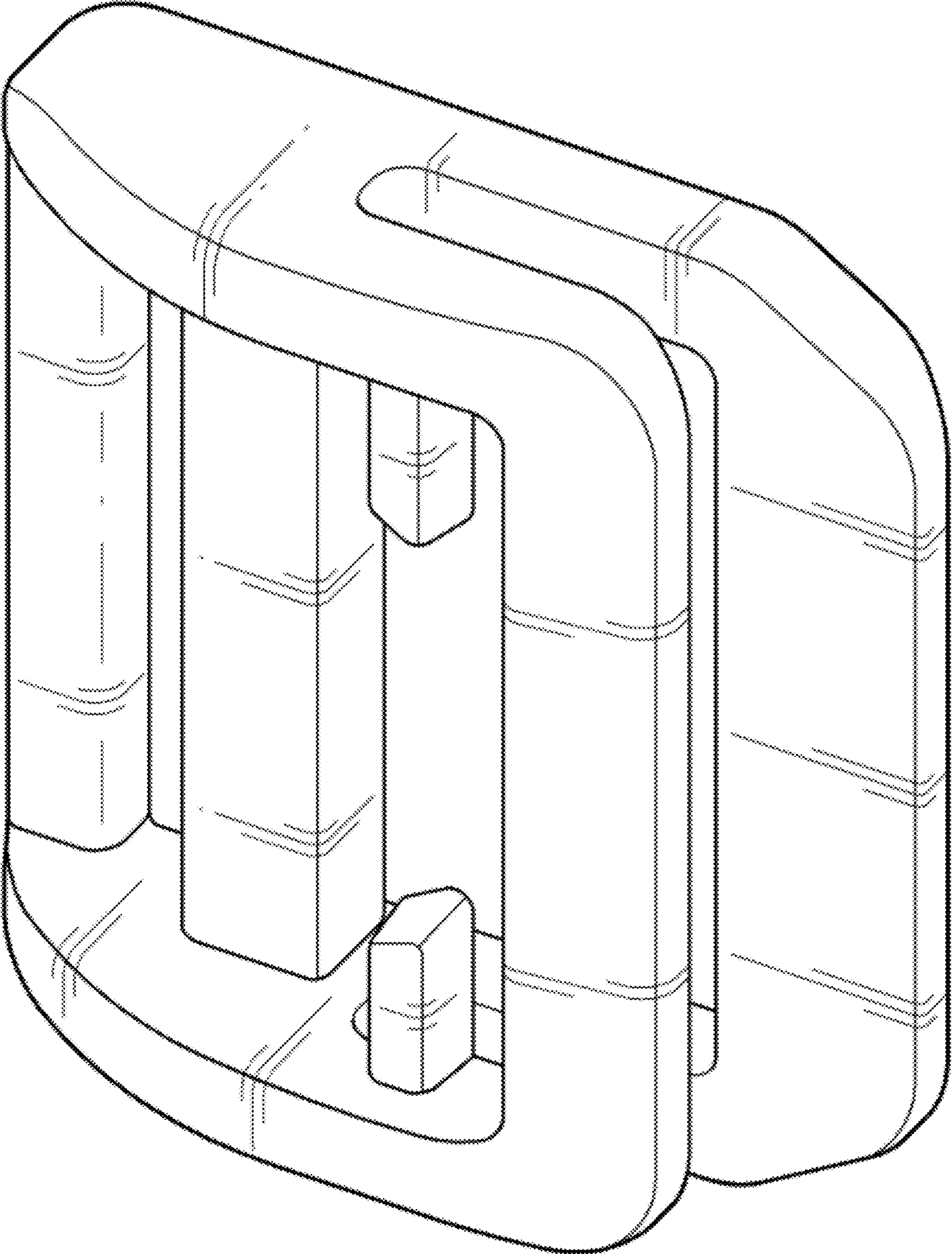
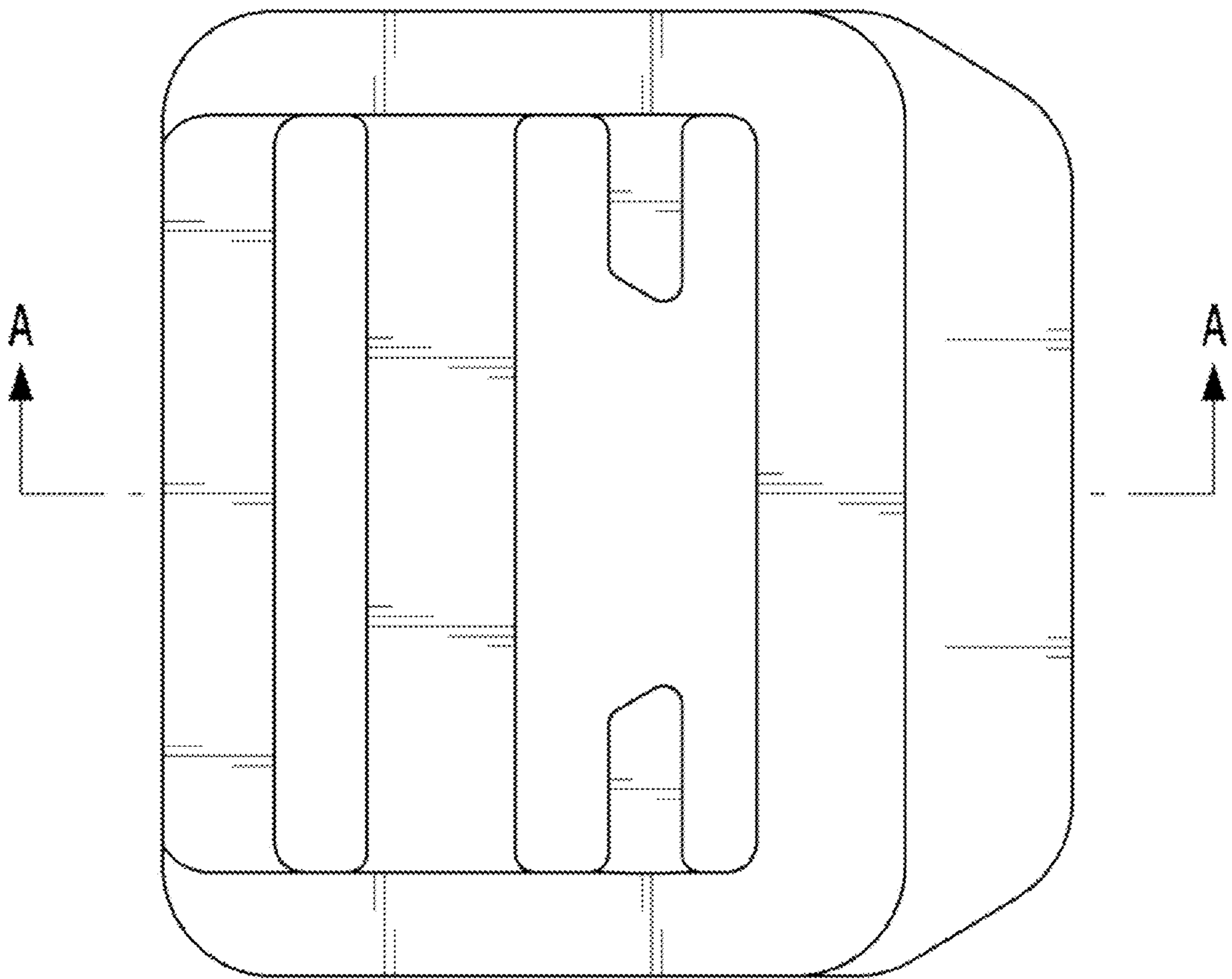


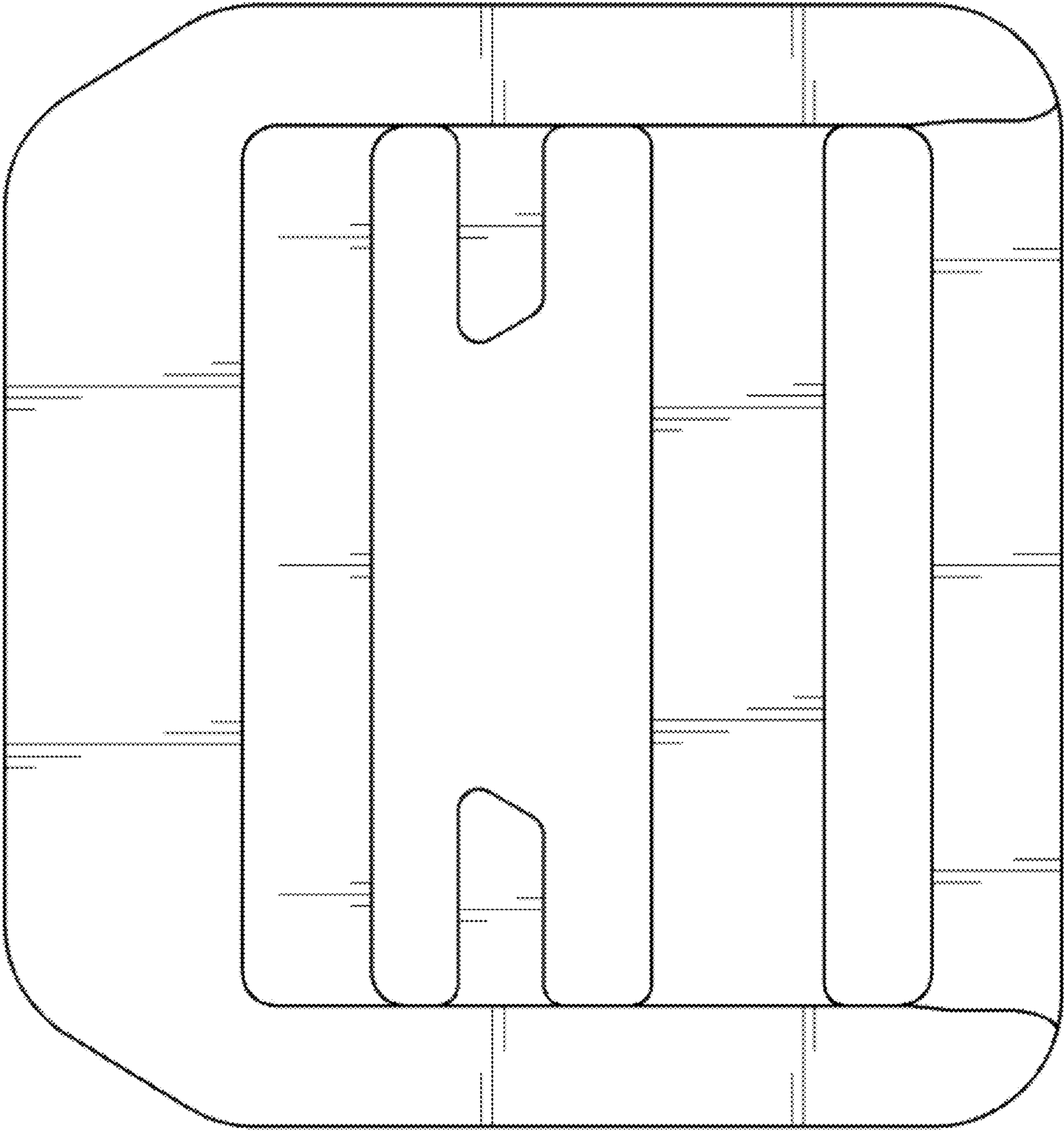
Fig. 1



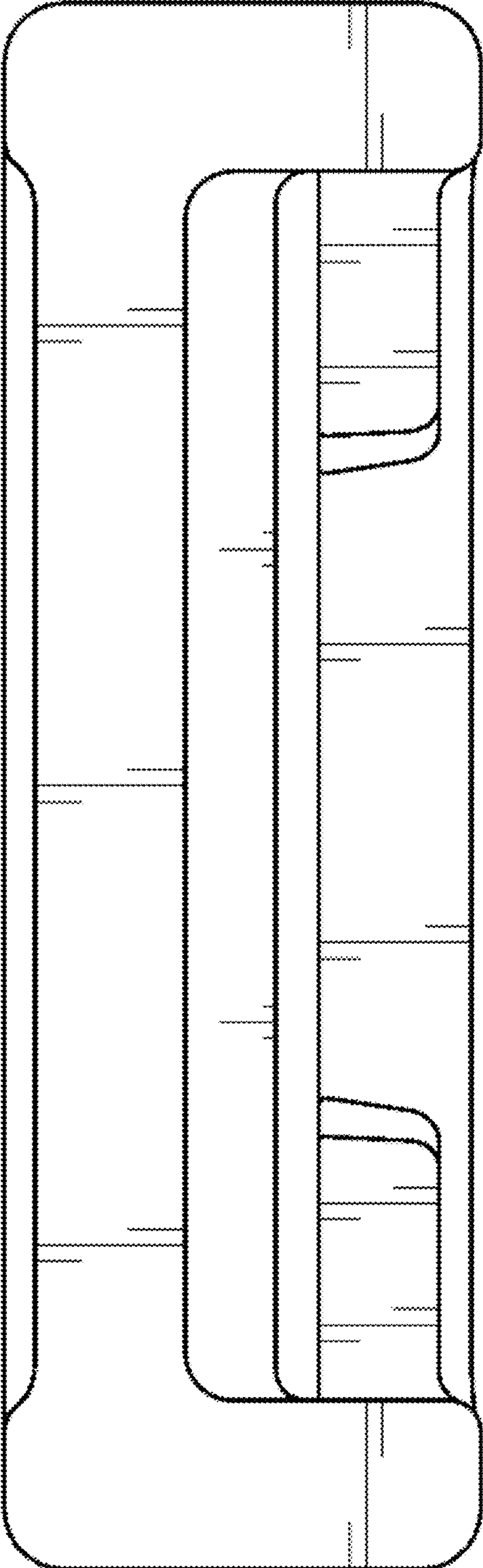
**Fig. 2**



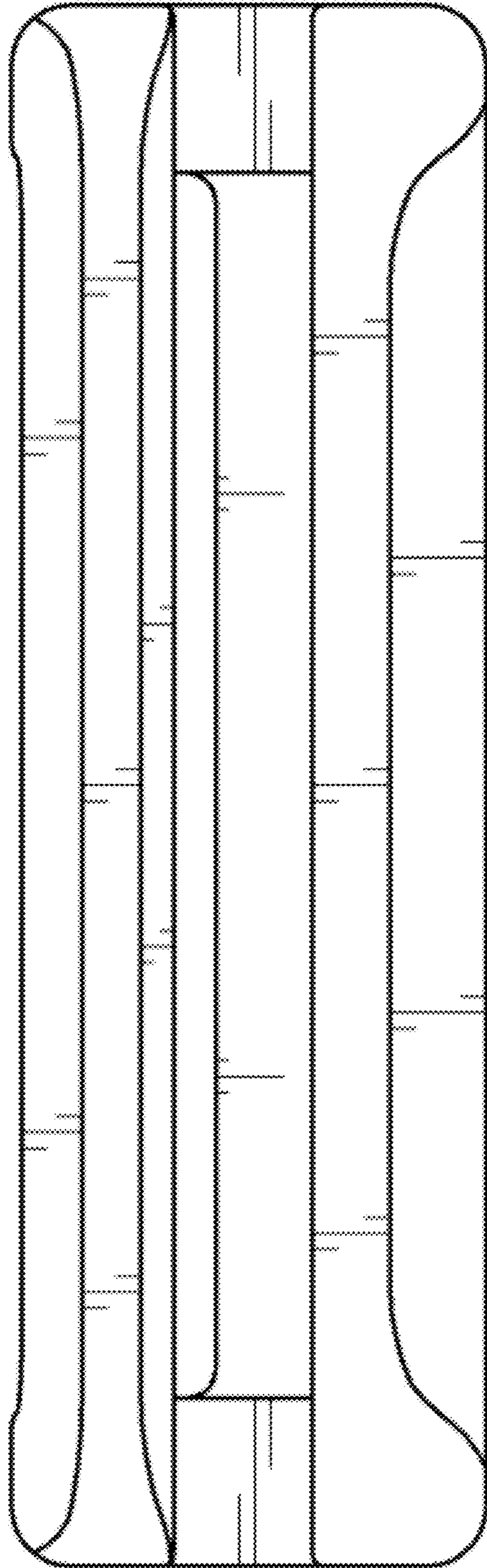
**Fig. 3**



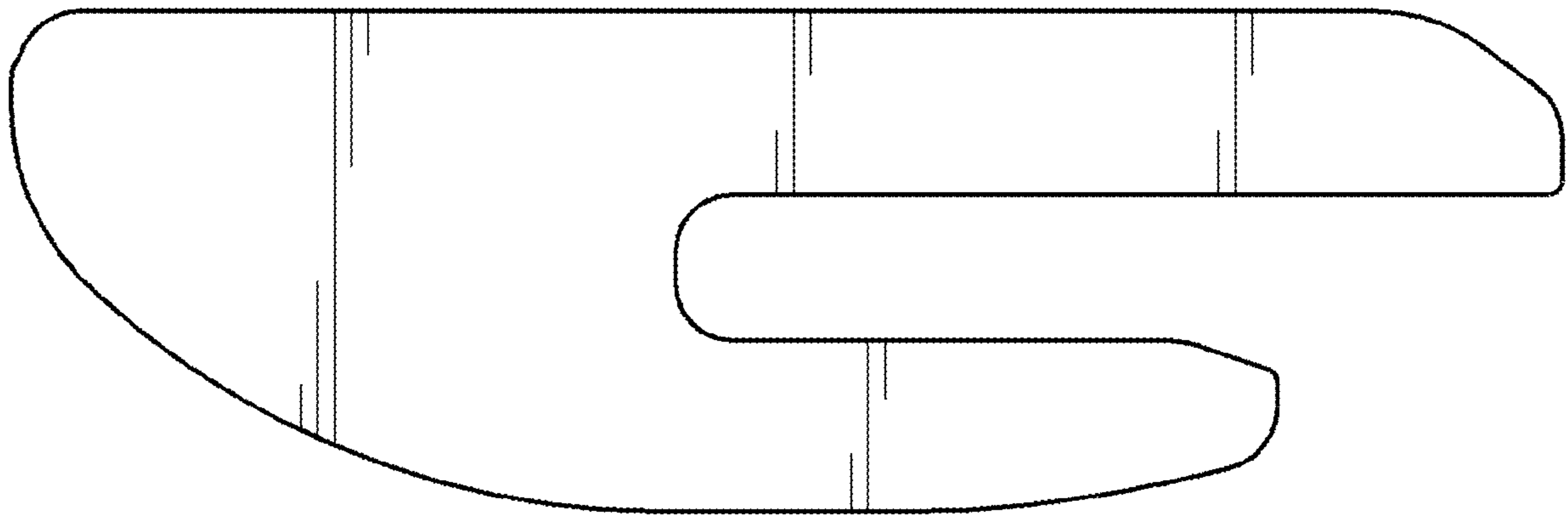
**Fig. 4**



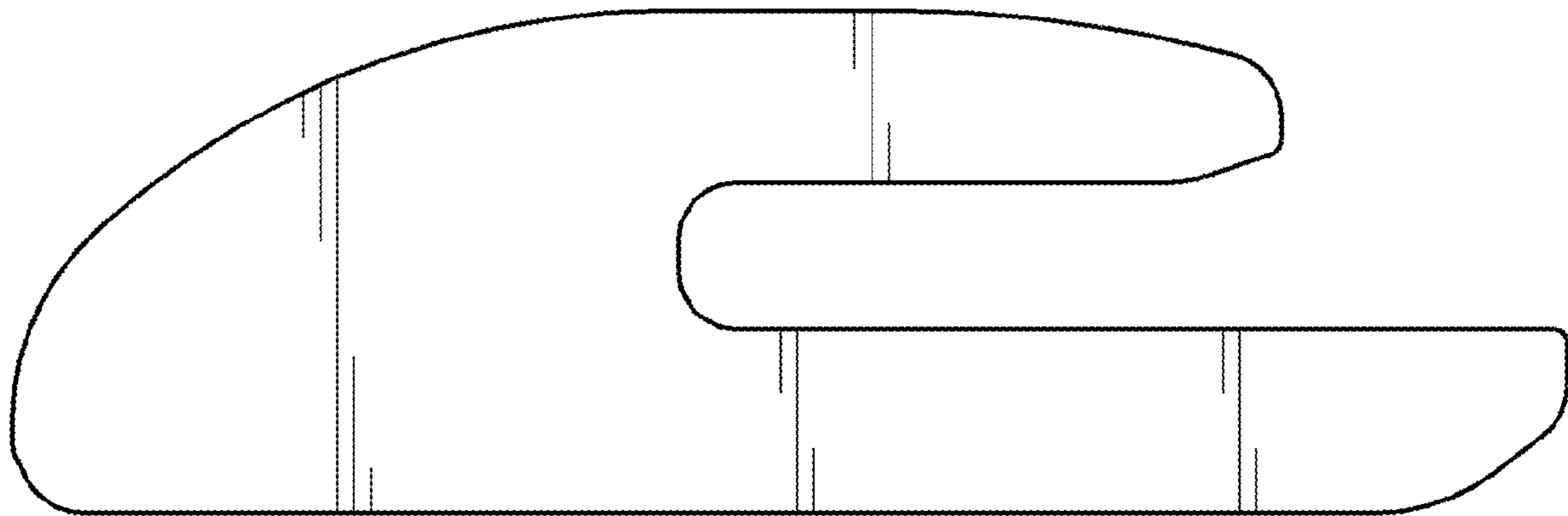
**Fig. 5**



**Fig. 6**



**Fig. 7**





**Fig. 8**

