



US00D891105S

(12) **United States Design Patent** (10) **Patent No.:** **US D891,105 S**
Licata et al. (45) **Date of Patent:** **** Jul. 28, 2020**

(54) **BASKET ASSEMBLY**

- (71) Applicant: **Unified Brands, Inc.**, Jackson, MS (US)
- (72) Inventors: **Michael P. Licata**, Lee's Summit, MO (US); **Roger Moore**, Brandon, MS (US); **Mark Churchill**, Grain Valley, MO (US)
- (73) Assignee: **UNIFIED BRANDS, INC.**, Jackson, MS (US)
- (**) Term: **15 Years**

- (21) Appl. No.: **29/678,355**
- (22) Filed: **Jan. 28, 2019**
- (51) **LOC (12) Cl.** **03-01**
- (52) **U.S. Cl.**
USPC **D3/306**
- (58) **Field of Classification Search**
USPC D3/304-307, 314-315, 319;
D6/566-567, 572-574, 540, 672-673,
D6/678, 678.4

(Continued)

(56) **References Cited**

U.S. PATENT DOCUMENTS

- 4,854,227 A * 8/1989 Koopman A47J 37/1295
99/416
- 5,303,997 A * 4/1994 Kropf A47B 88/402
312/334.4

(Continued)

FOREIGN PATENT DOCUMENTS

- KR 1020140033895 A 3/2014

OTHER PUBLICATIONS

“International Search Report and Written Opinion for International Application No. PCT/US2019/055223, Search completed Jan. 23, 2020, dated Jan. 31, 2020, 12 Pgs”.

Primary Examiner — Kelley A Donnelly
(74) *Attorney, Agent, or Firm* — Kutak Rock LLP

(57) **CLAIM**

The ornamental design for a basket assembly, as shown and described.

DESCRIPTION

FIG. 1 is a perspective view of an embodiment of a basket assembly of the present invention, the basket assembly including a basket, a first set of protruding members extending from a front of the basket, and a second set of protruding members positioned adjacent to a rear portion of the basket, the broken-line showing of a bracket extending from a top portion of the basket and the second set of protruding members forming no part of the invention.

FIG. 2 is a sectional view of the basket assembly of FIG. 1, the sectional view being taken along line 2-2 of FIG. 7.

FIG. 3 is a front view of the basket assembly of FIG. 1.

FIG. 4 is a rear view of the basket assembly of FIG. 1.

FIG. 5 is a left-side view of the basket assembly of FIG. 1.

FIG. 6 is a right-side view of the basket assembly of FIG. 1.

FIG. 7 is a top view of the basket assembly of FIG. 1.

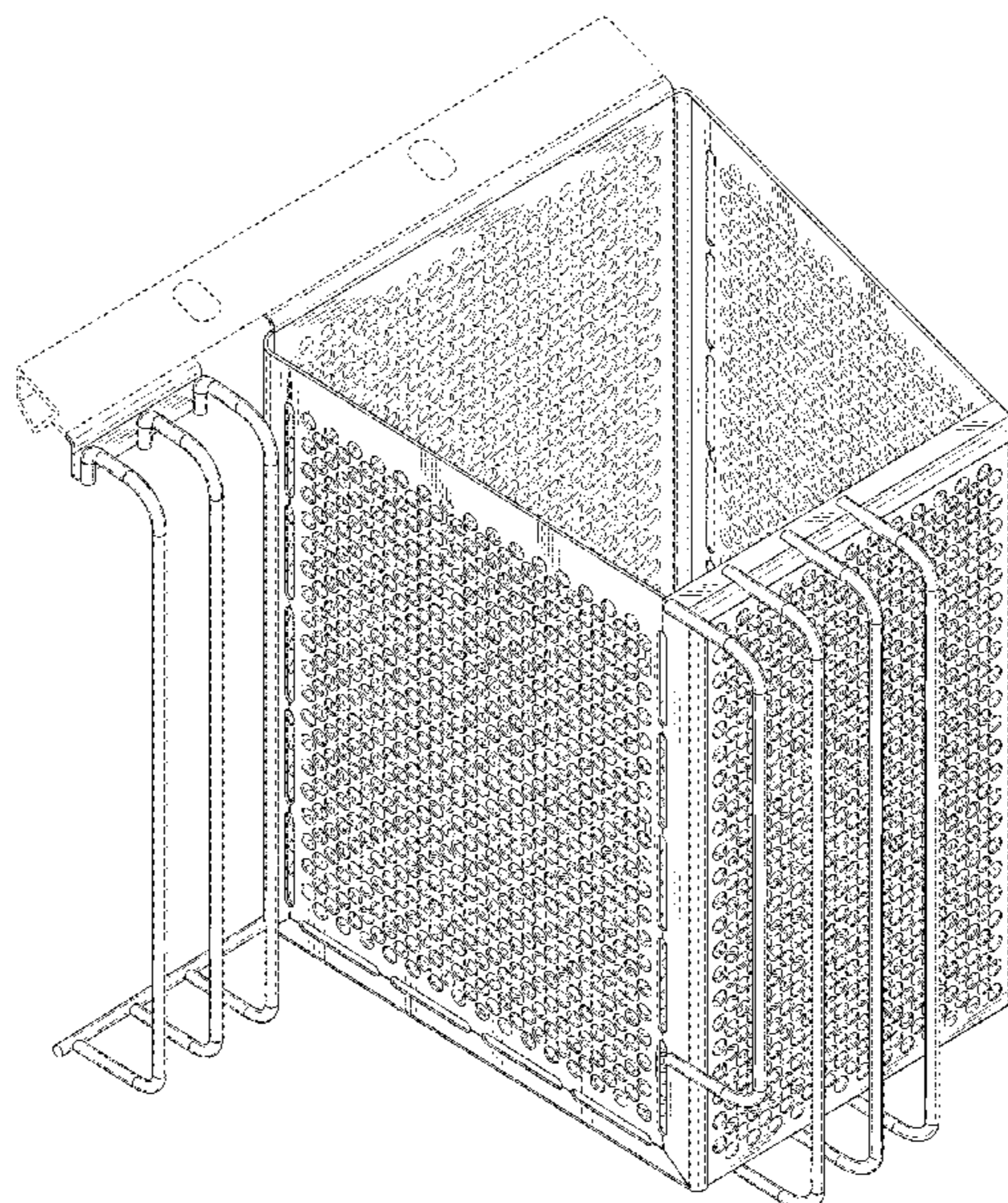
FIG. 8 is a bottom view of the basket assembly of FIG. 1.

FIG. 9 is a perspective view of the basket assembly of FIG. 1, shown in a position of use within a wash tank as part of a rack assembly supporting a plurality of pans; and,

FIG. 10 is a top view of the basket assembly of FIG. 1, as shown in FIG. 9.

The broken line showing of the wash tank and the pans are for the purpose of illustrating environment and form no part of the claim. Shading forms no part of the claim.

1 Claim, 10 Drawing Sheets



(58) **Field of Classification Search**

CPC A47B 73/008; A47J 47/16; A47J 47/20;
 A47L 15/501; A47L 15/502; A47L 15/505
 See application file for complete search history.

(56) **References Cited**

U.S. PATENT DOCUMENTS

D453,027	S *	1/2002	Andujar	D19/90
6,578,720	B1 *	6/2003	Wang	A47F 5/0093
				211/126.15
D477,144	S *	7/2003	Remmers	D3/306
D508,167	S *	8/2005	Anderson	D3/306
D532,654	S *	11/2006	Raichlen	D7/409
D635,363	S *	4/2011	Hertaus	D3/307
D686,018	S *	7/2013	Etherington	D6/675.2
D697,310	S *	1/2014	Snider	D3/306
9,596,931	B1 *	3/2017	Nimgulkar	A47B 88/49
D799,827	S *	10/2017	Greenblatt	D3/306
D814,189	S *	4/2018	Nimgulkar	D3/306
D825,268	S *	8/2018	Iorio	D7/409
D860,648	S *	9/2019	Greenblatt	D3/306
2003/0041887	A1	3/2003	Inch et al.	
2007/0235401	A1 *	10/2007	Costa	A47F 3/147
				211/126.15
2009/0205682	A1	8/2009	Tafoya	
2009/0255560	A1	10/2009	Lehmann et al.	
2016/0144999	A1 *	5/2016	Tang	B65D 7/14
				220/493
2017/0135549	A1	5/2017	Spang et al.	

* cited by examiner

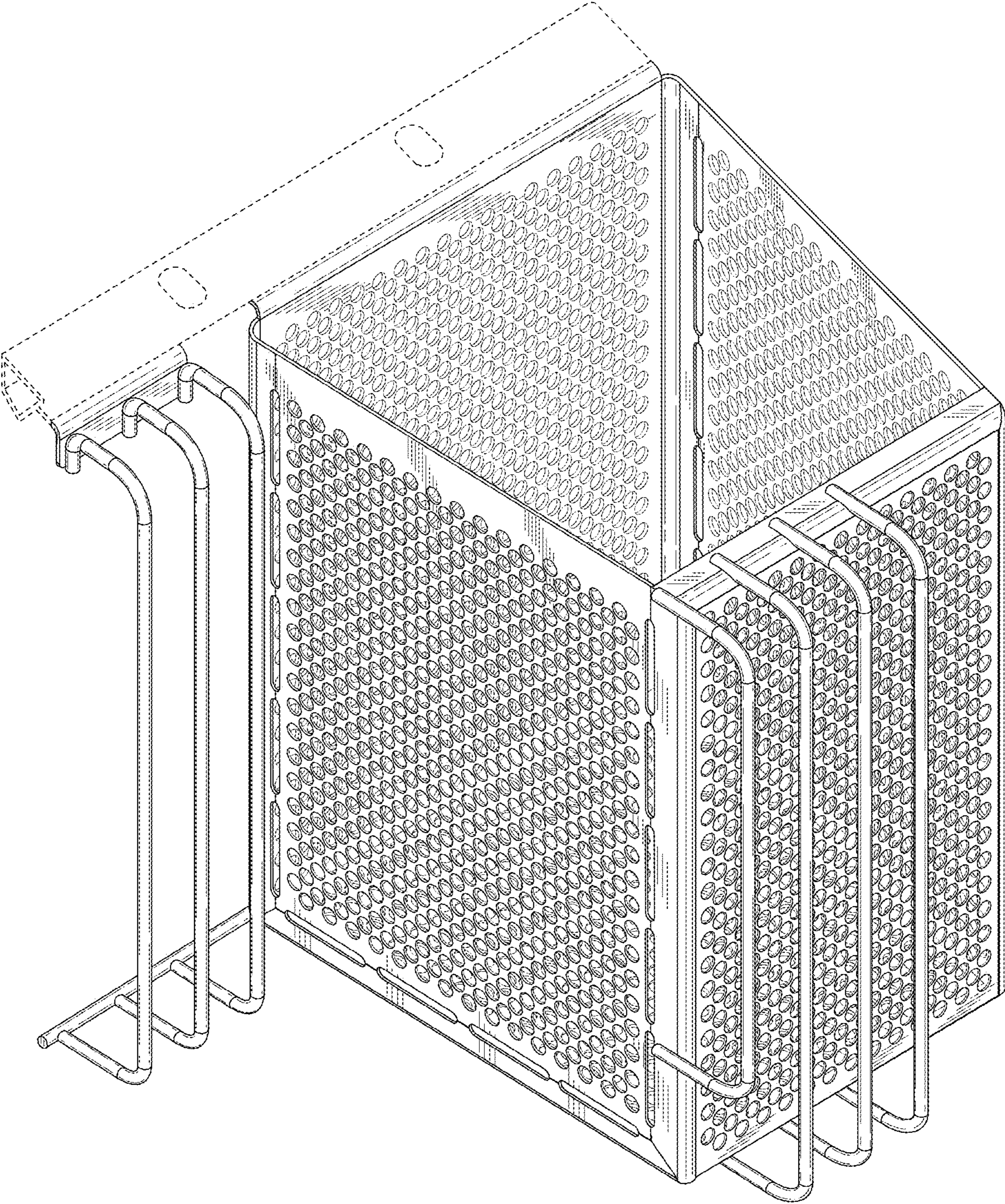


FIG. 1

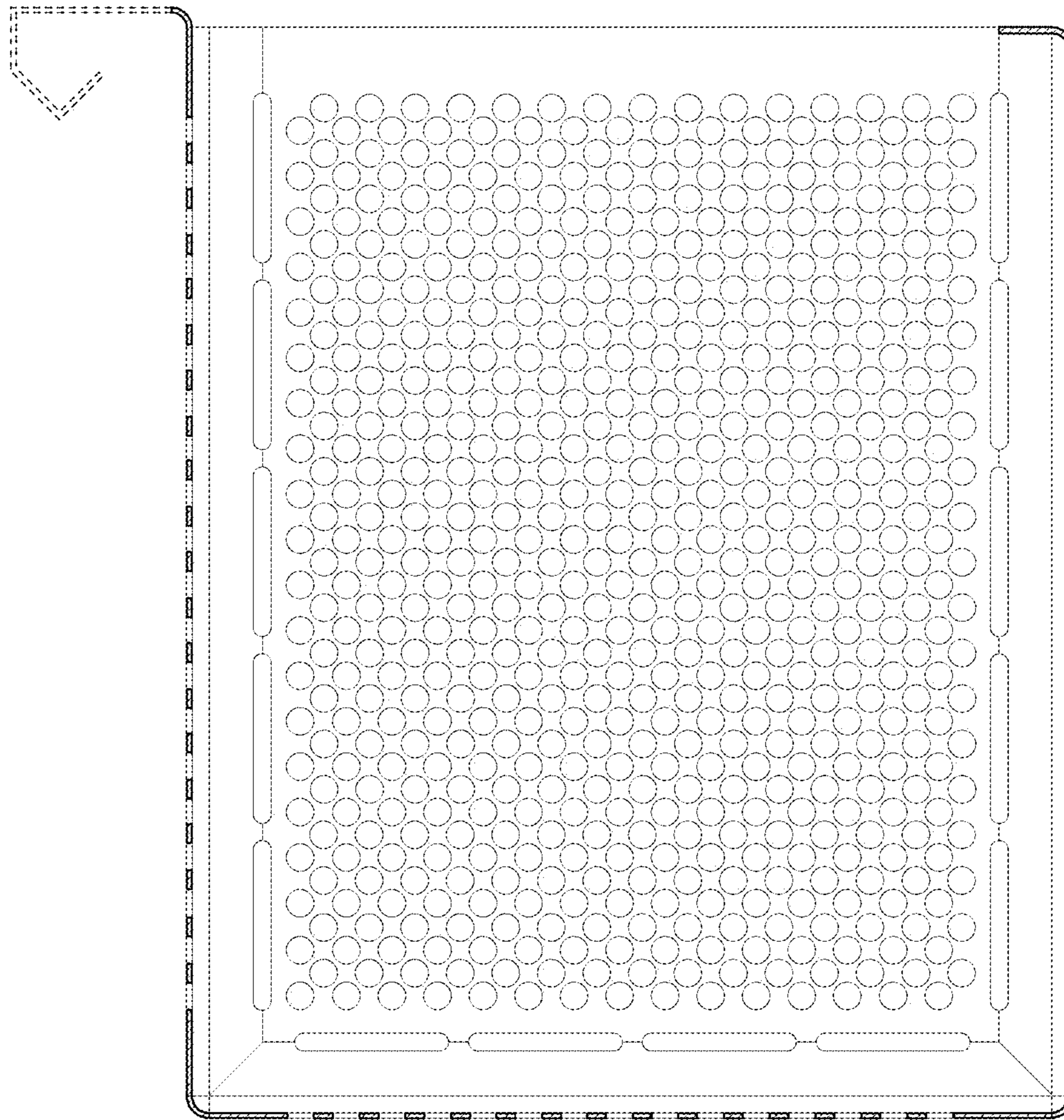


FIG. 2

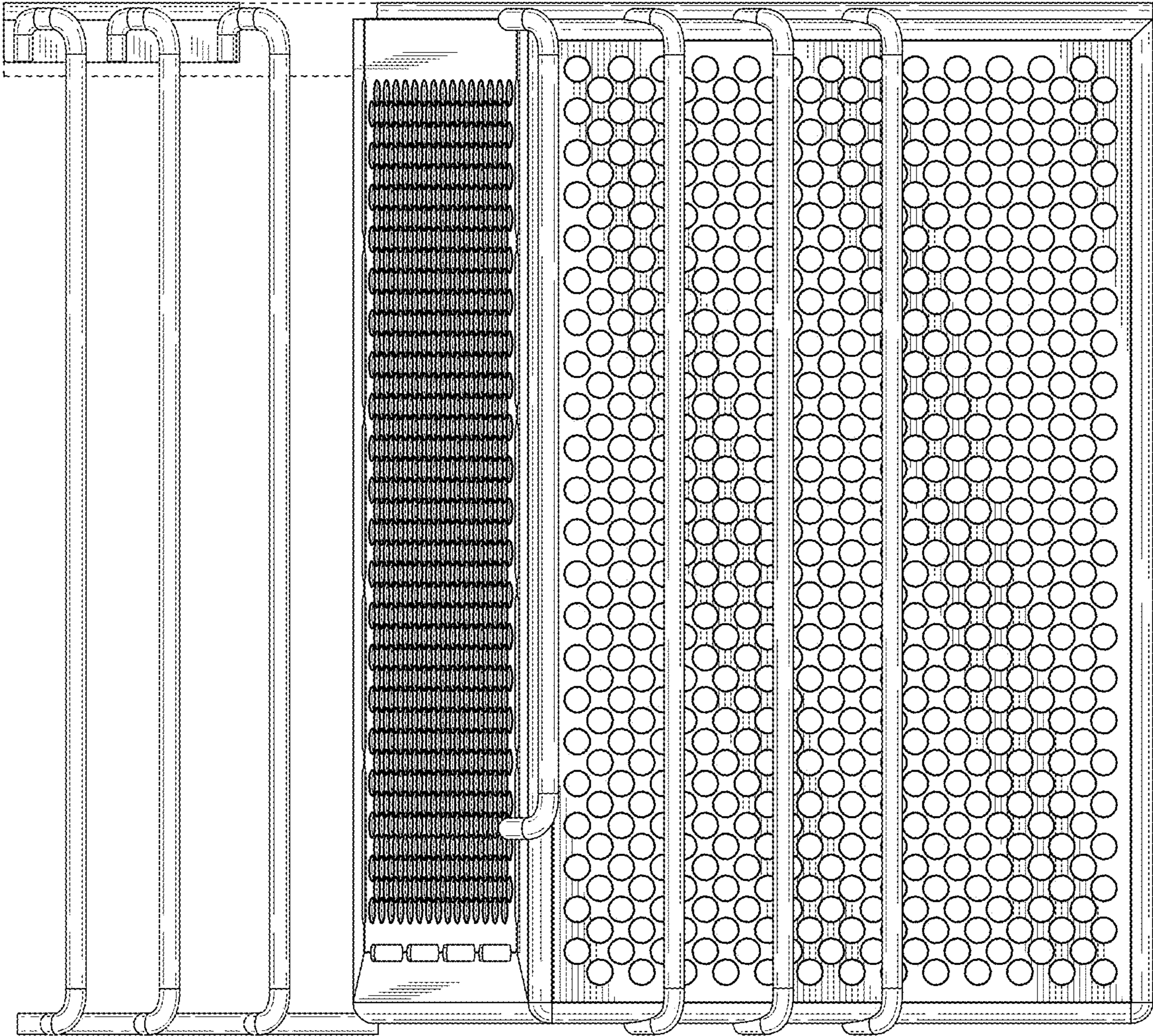


FIG. 3

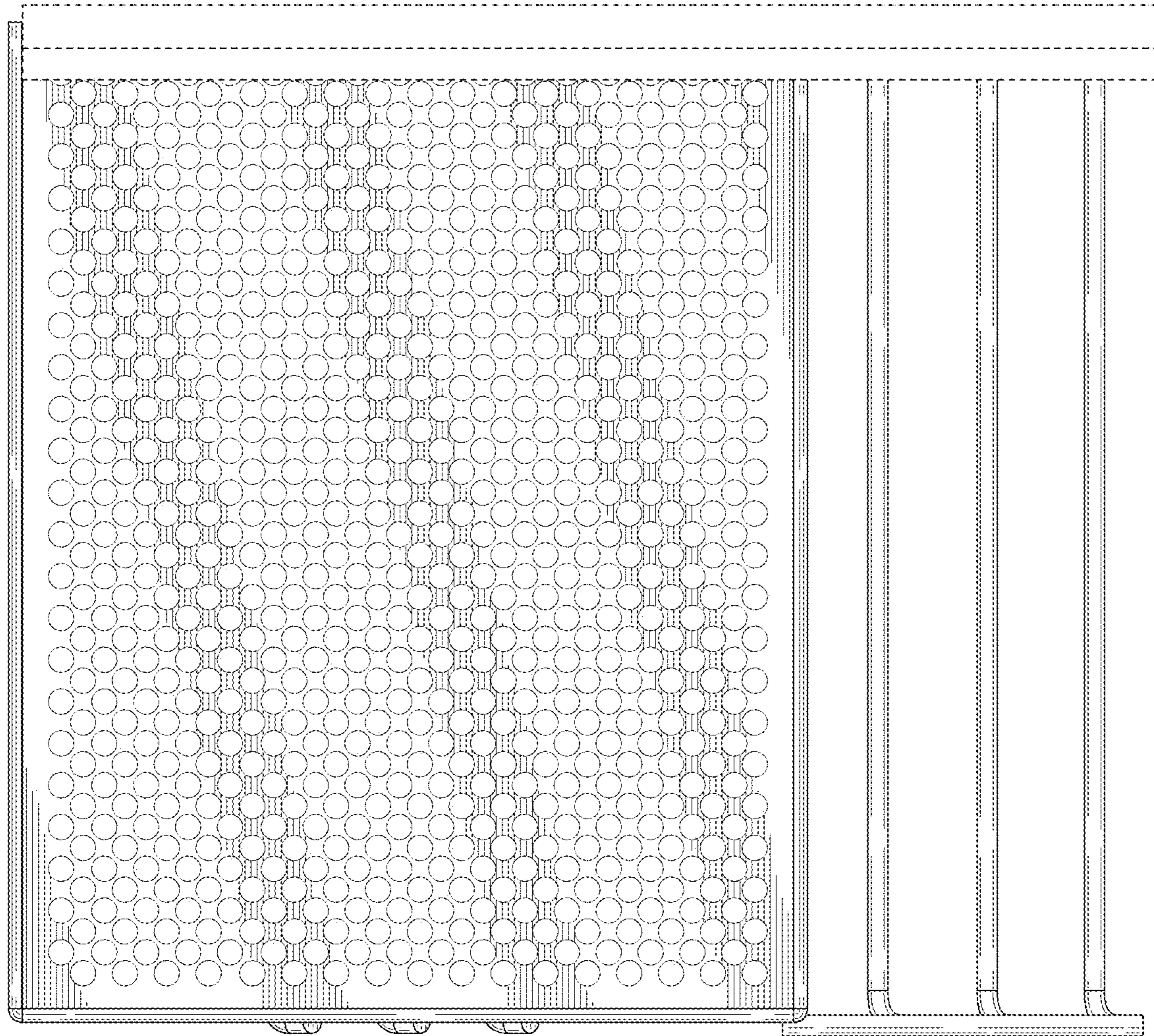


FIG. 4

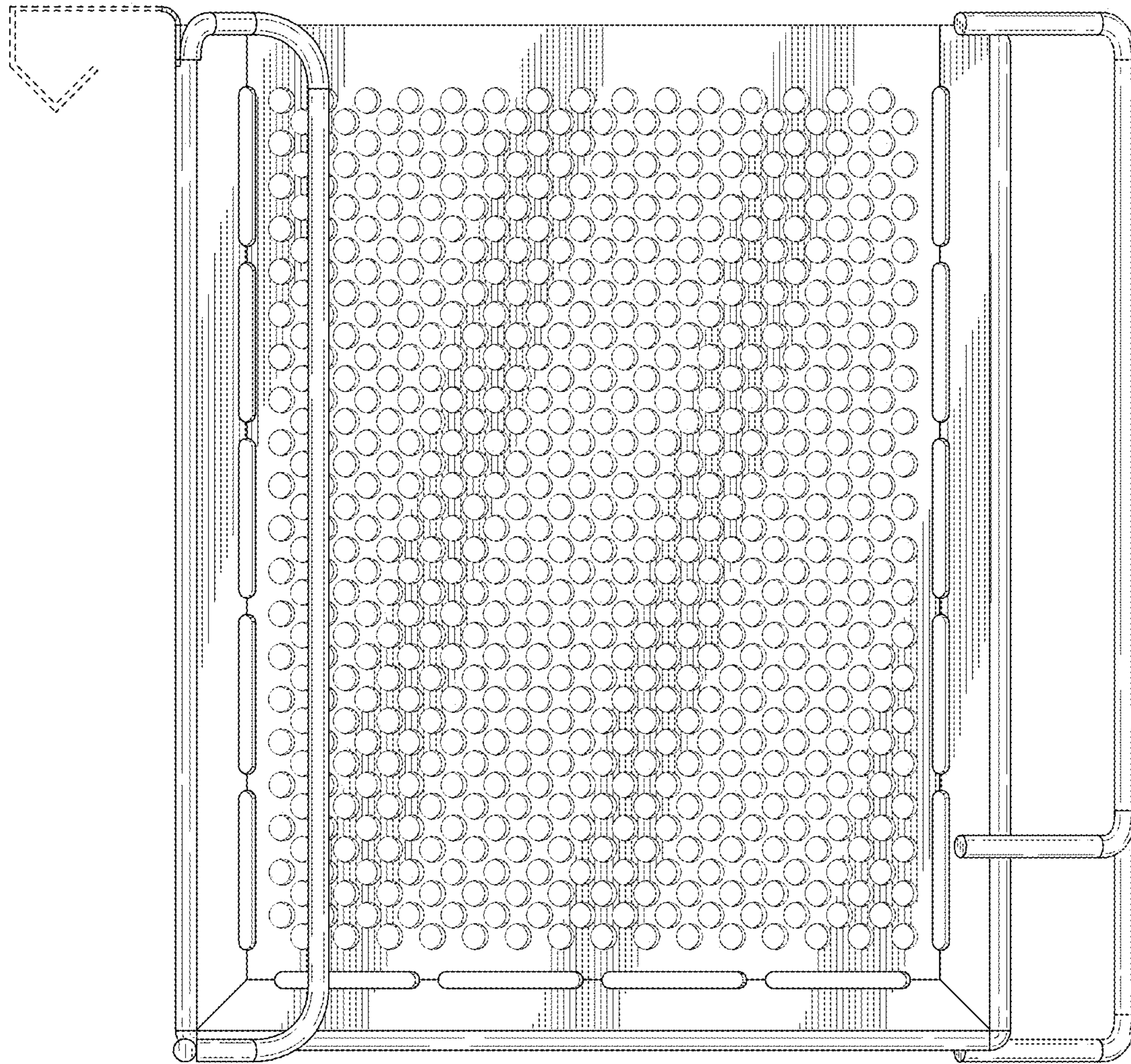


FIG. 5

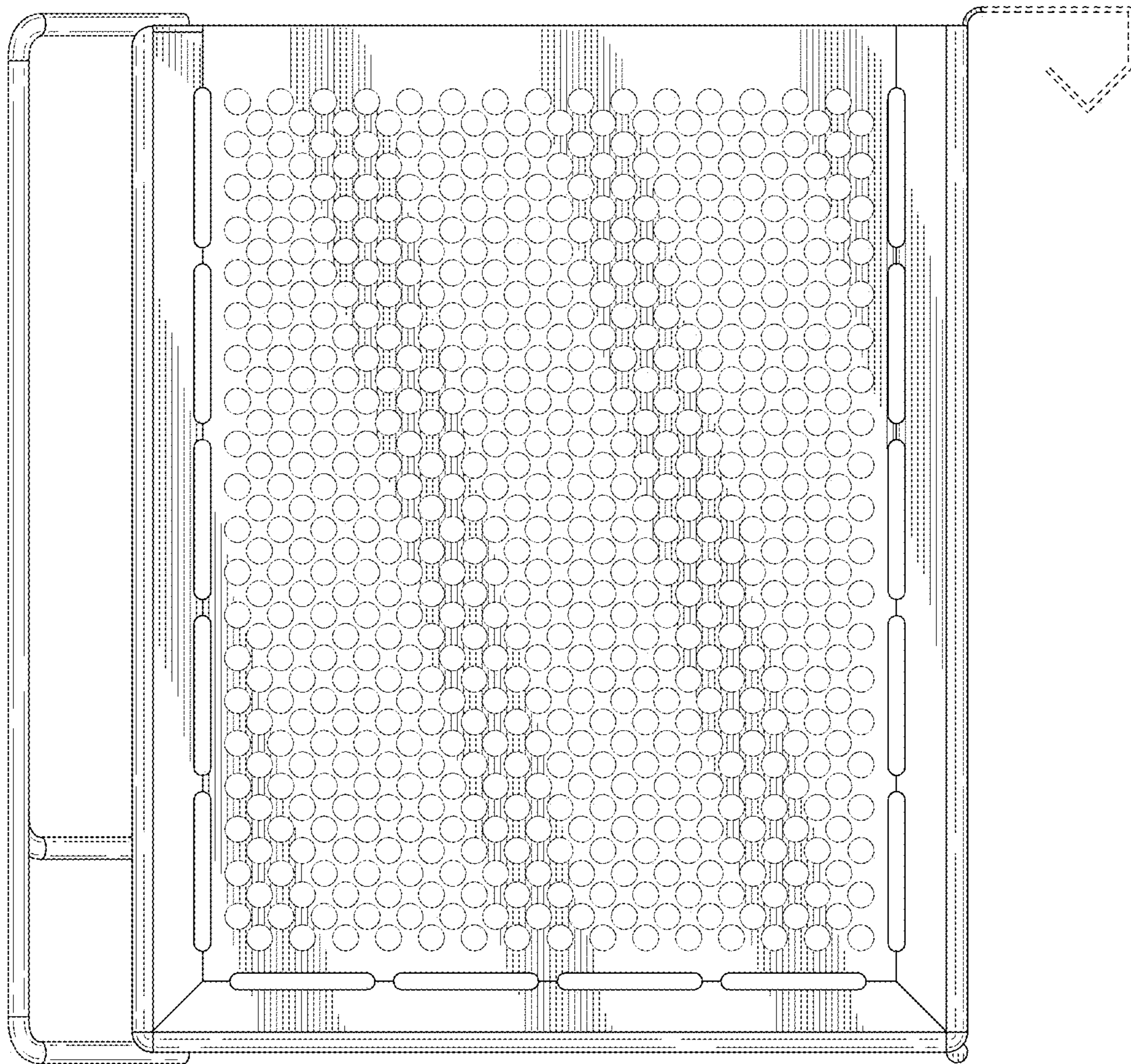


FIG. 6

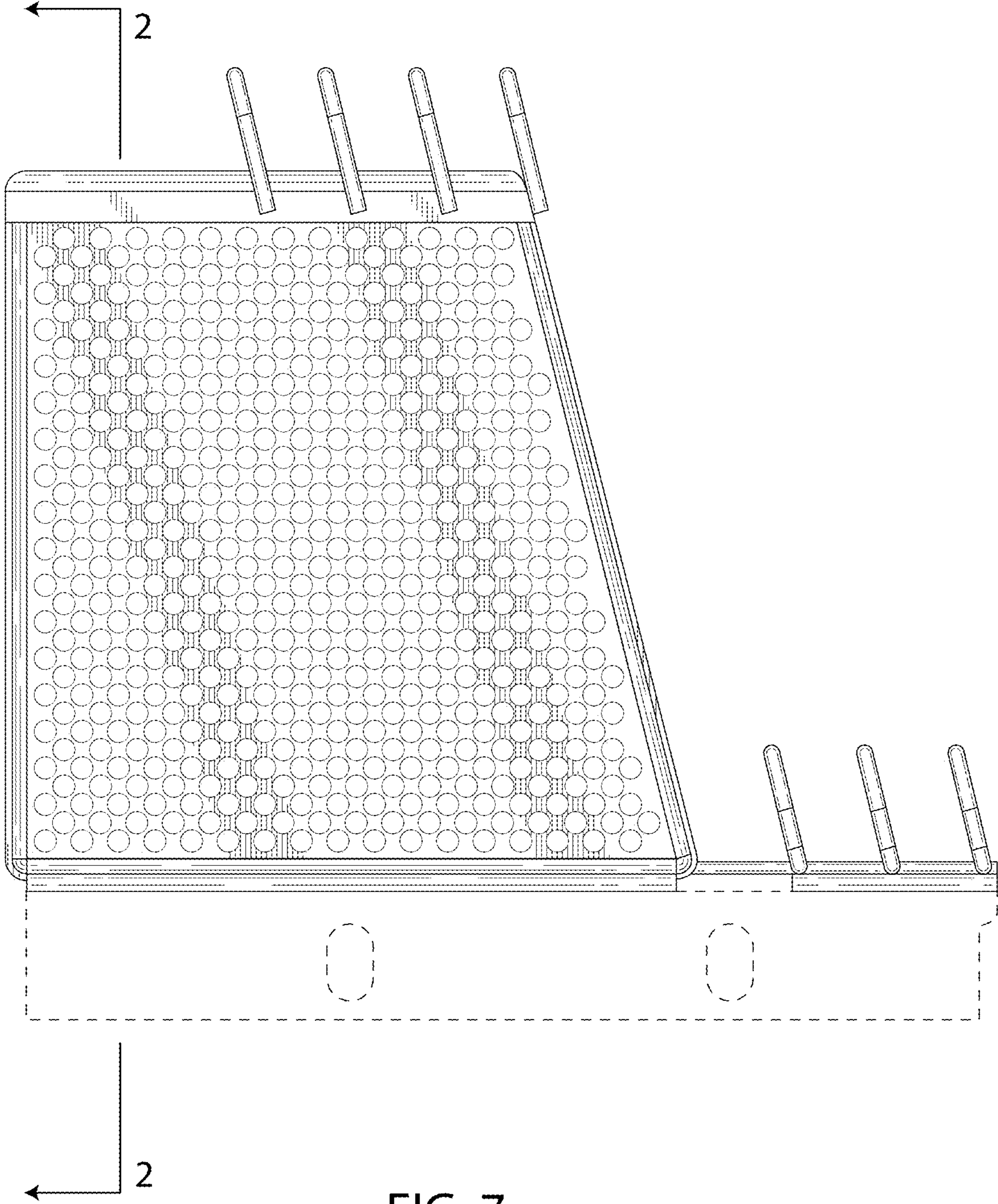


FIG. 7

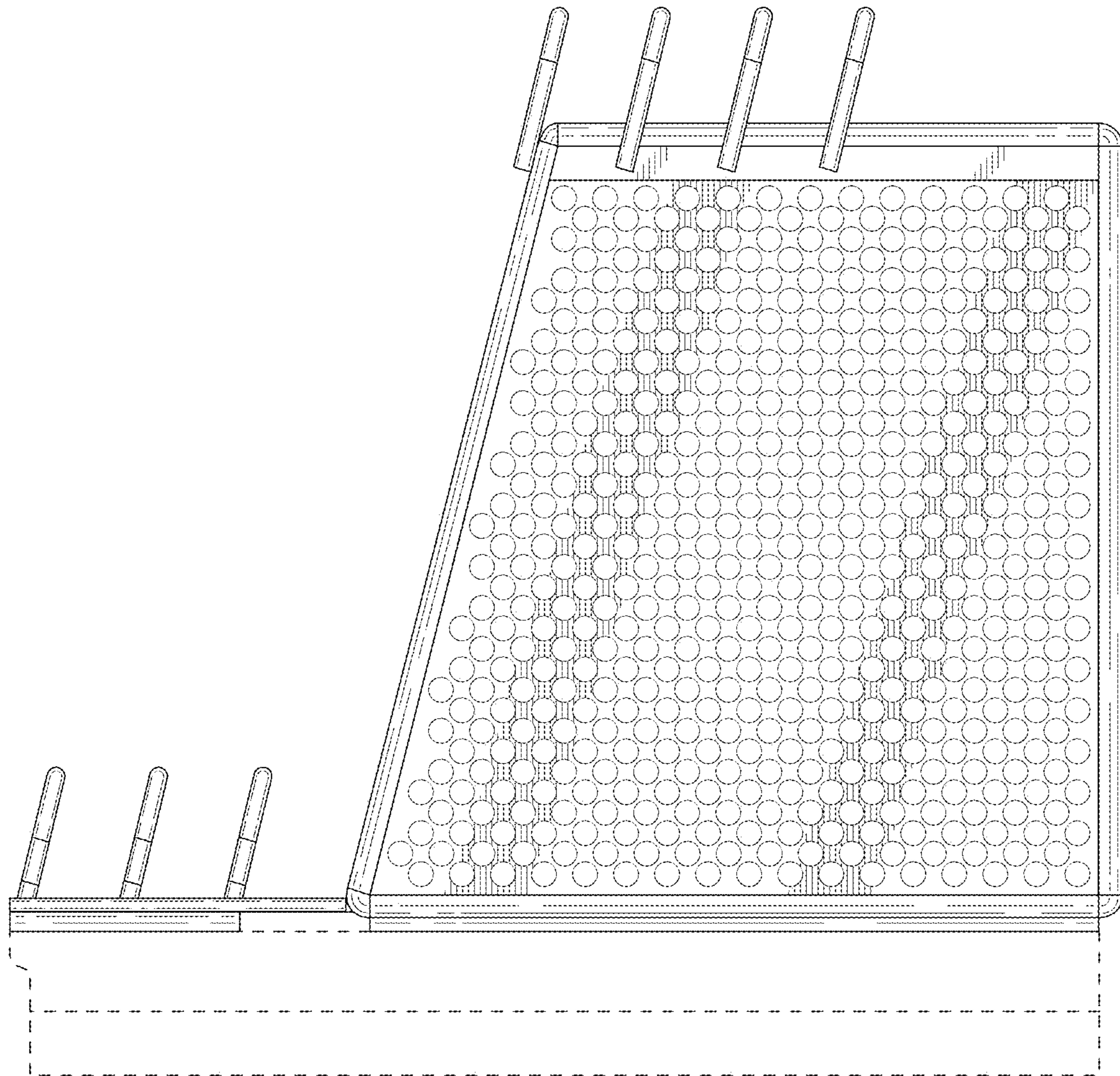


FIG. 8

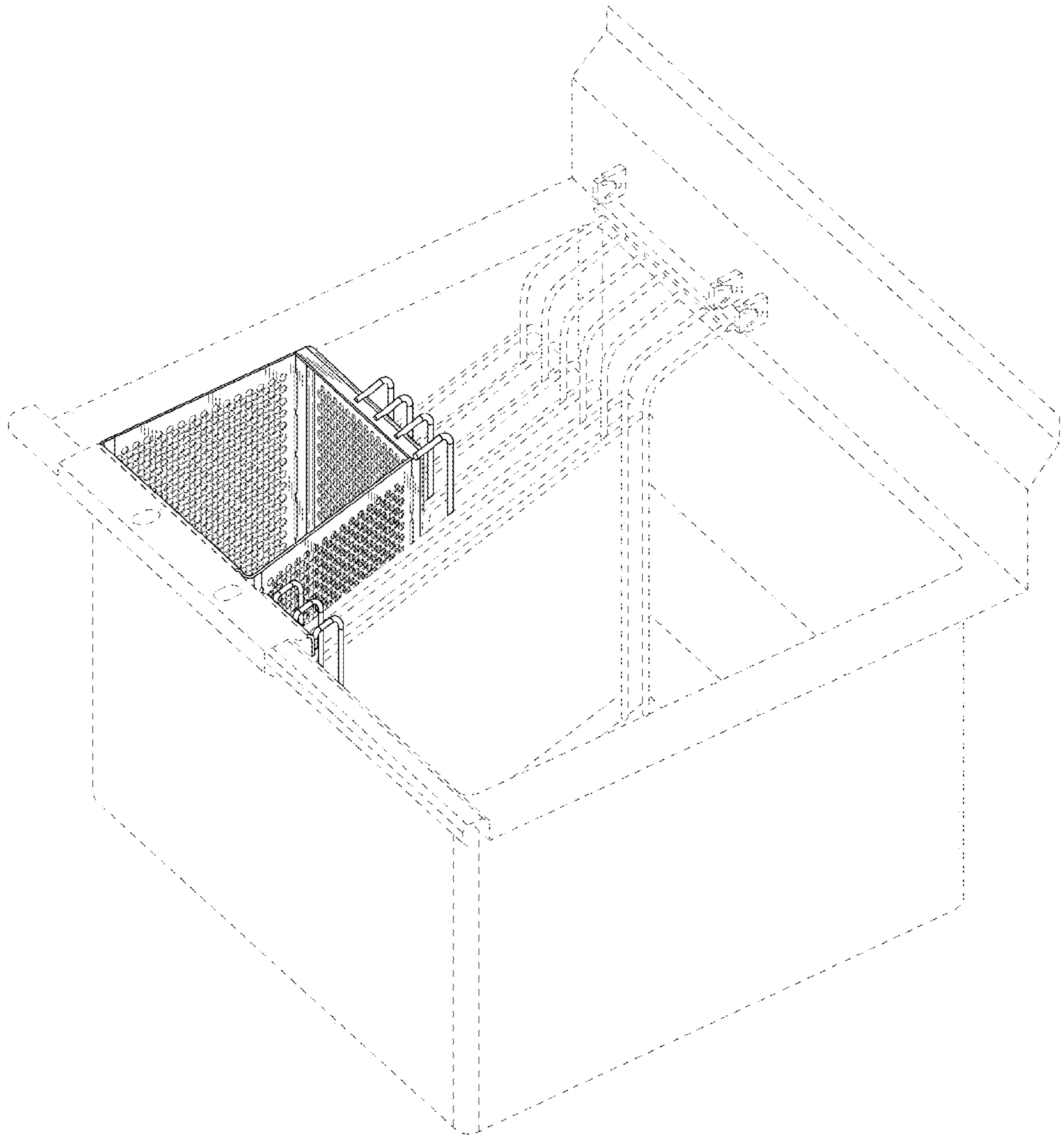


FIG. 9

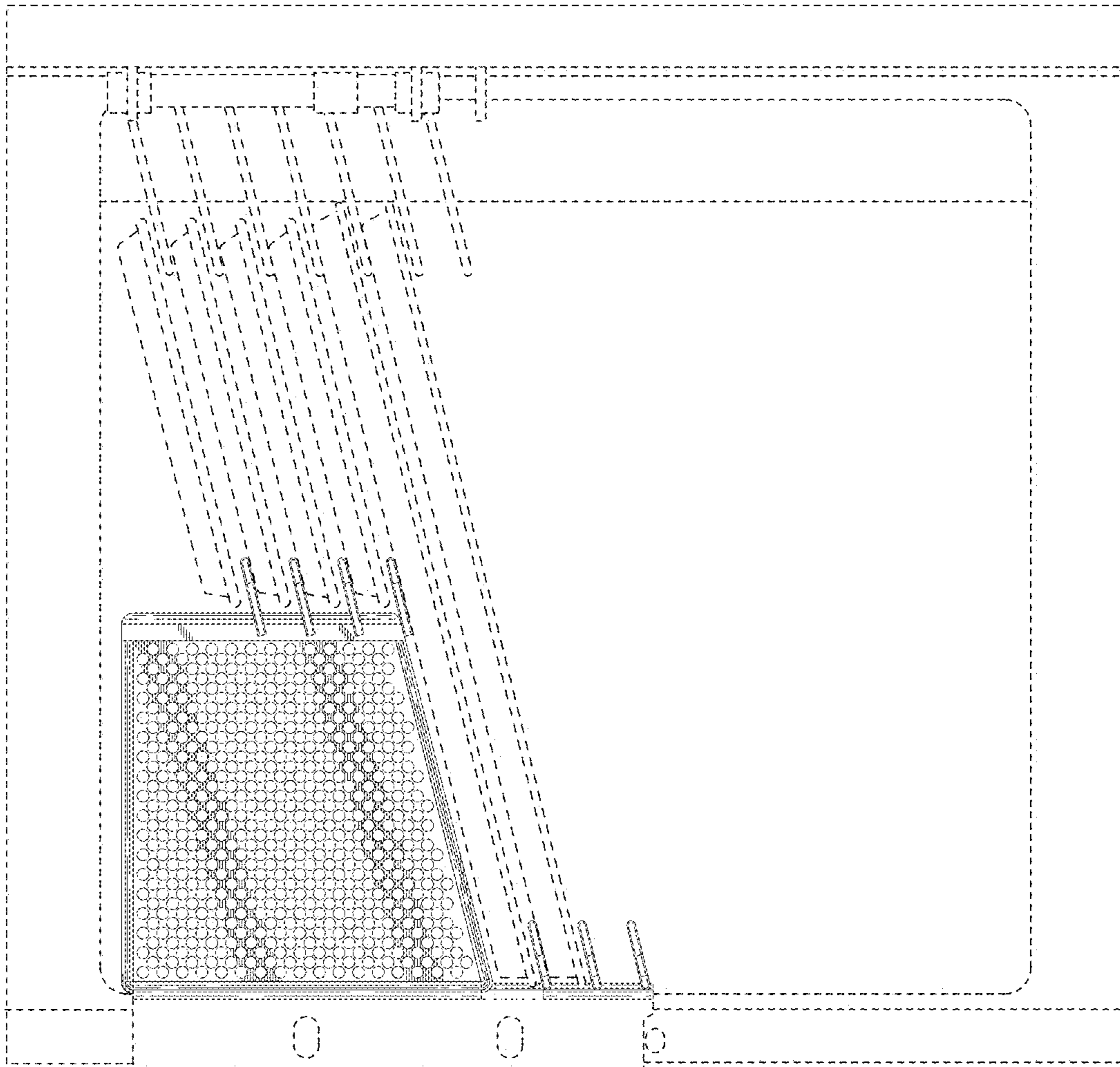


FIG. 10