



US00D891103S

(12) **United States Design Patent** (10) **Patent No.:** **US D891,103 S**
Vicuna (45) **Date of Patent:** **** Jul. 28, 2020**

(54) **COLLAPSIBLE BAG**
(71) Applicant: **MAIA GLOBAL BV**, Rotterdam (NL)
(72) Inventor: **Inaki Vicuna**, London (GB)
(73) Assignee: **MAIA GLOBAL BV**, Rotterdam (NL)
(**) Term: **15 Years**

(21) Appl. No.: **29/665,944**
(22) Filed: **Oct. 9, 2018**
(51) **LOC (12) Cl.** **03-01**
(52) **U.S. Cl.**
USPC **D3/272; D3/273; D3/902**
(58) **Field of Classification Search**
USPC D3/201, 203.1, 203.2, 273, 276, 294,
D3/295, 298, 302, 318, 901, 902, 272
CPC A45C 5/00; A45C 2011/003; A45C 11/24;
A45C 2200/05; A45C 11/00; G06F
1/1616; B65D 85/72; B65D 88/1612;
B65D 88/1656
See application file for complete search history.

(56) **References Cited**
U.S. PATENT DOCUMENTS
6,244,443 B1 * 6/2001 Nickell B65D 19/06
206/600
7,011,224 B2 * 3/2006 Sheng-Bin B65D 15/22
220/6
D594,657 S * 6/2009 McAlpine D3/273
D663,945 S * 7/2012 Bouskill D3/203.1
9,751,691 B2 * 9/2017 Hunter B65D 88/1668
D828,031 S * 9/2018 Bloomfield D3/302
2003/0235350 A1 * 12/2003 Richardson, Jr. .. B65D 88/1625
383/24

2005/0063623 A1 * 3/2005 Eisenbarth B65D 88/1612
383/119
2010/0119179 A1 * 5/2010 Schinasi B65D 88/16
383/17
2019/0255982 A1 * 8/2019 O'Neill B65D 88/1656

OTHER PUBLICATIONS

Packing Gateway, "Fluid-Bag", accessed Feb. 28, 2020. (<https://www.packaging-gateway.com/contractors/containers/fluid-bag/>) (Year: 2020).*

* cited by examiner

Primary Examiner — April Rivas
(74) *Attorney, Agent, or Firm* — Epstein Drangel LLP;
Robert L. Epstein

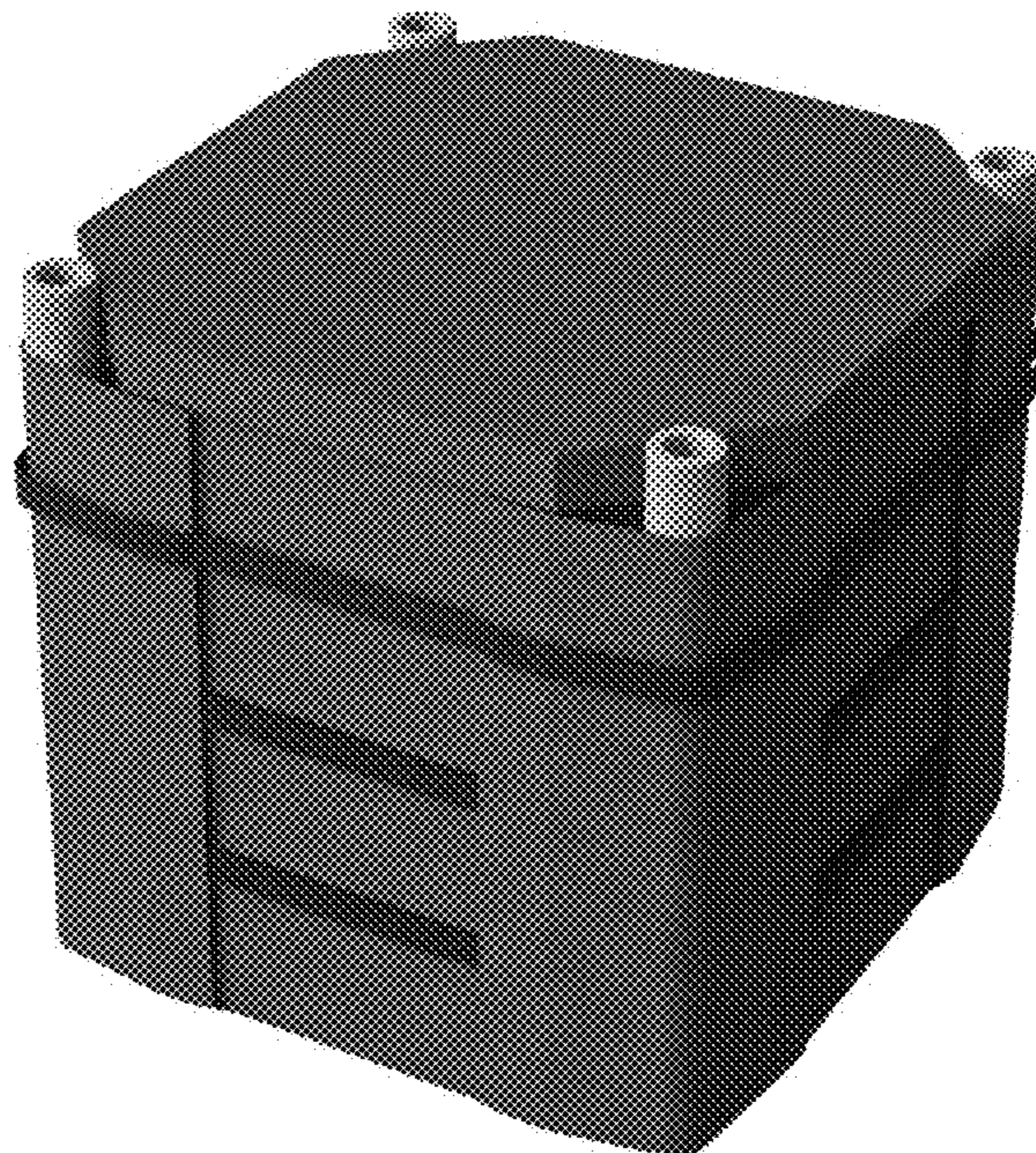
(57) **CLAIM**

The ornamental design for a collapsible bag, substantially as shown and described.

DESCRIPTION

The patent or application file contains at least one drawing executed in color. Copies of this patent or patent application publication with color drawing(s) will be provided by the Office upon request and payment of the necessary fee.
FIG. 1 is a perspective view showing the front, top and right side of the collapsible bag with the new design;
FIG. 2 is a perspective view showing the left side, front and top thereof;
FIG. 3 is a rear elevation view thereof;
FIG. 4 is top plan view thereof;
FIG. 5 is a partially exploded perspective view showing the left side, front and top thereof; and,
FIG. 6 is an exploded perspective view showing the left side, front and top thereof.

1 Claim, 6 Drawing Sheets
(6 of 6 Drawing Sheet(s) Filed in Color)



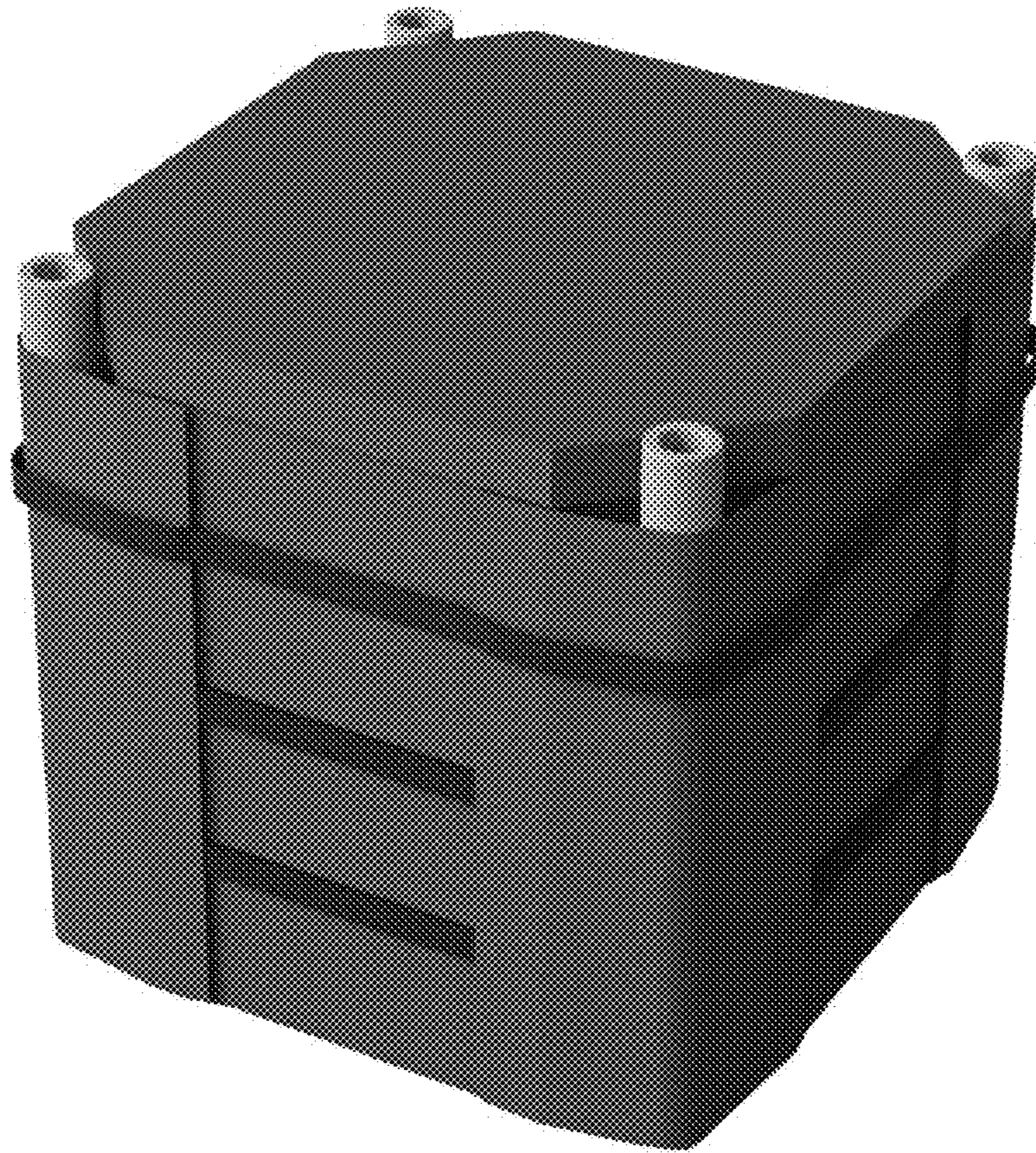


FIG. 1



FIG. 2

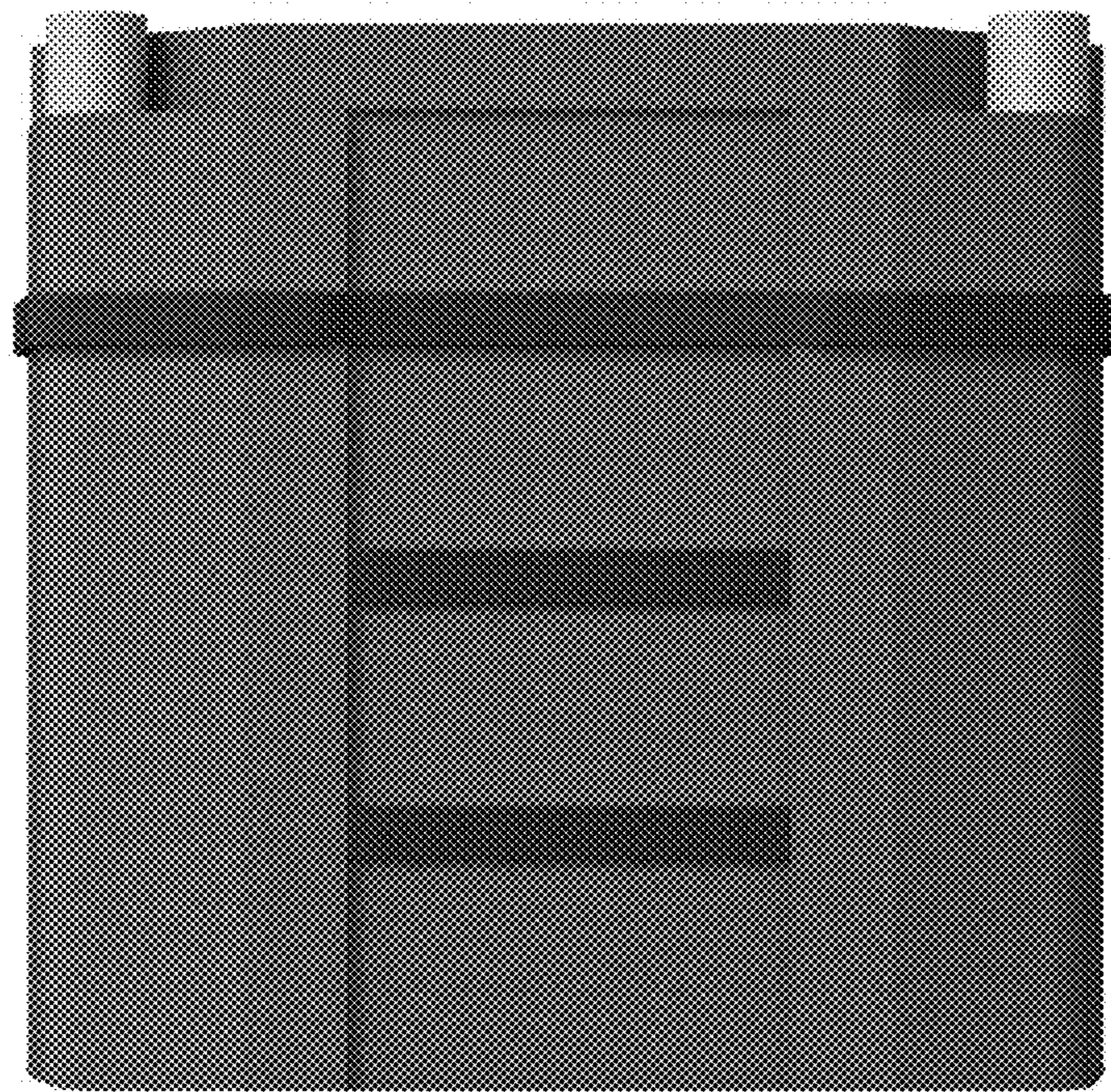


FIG. 3

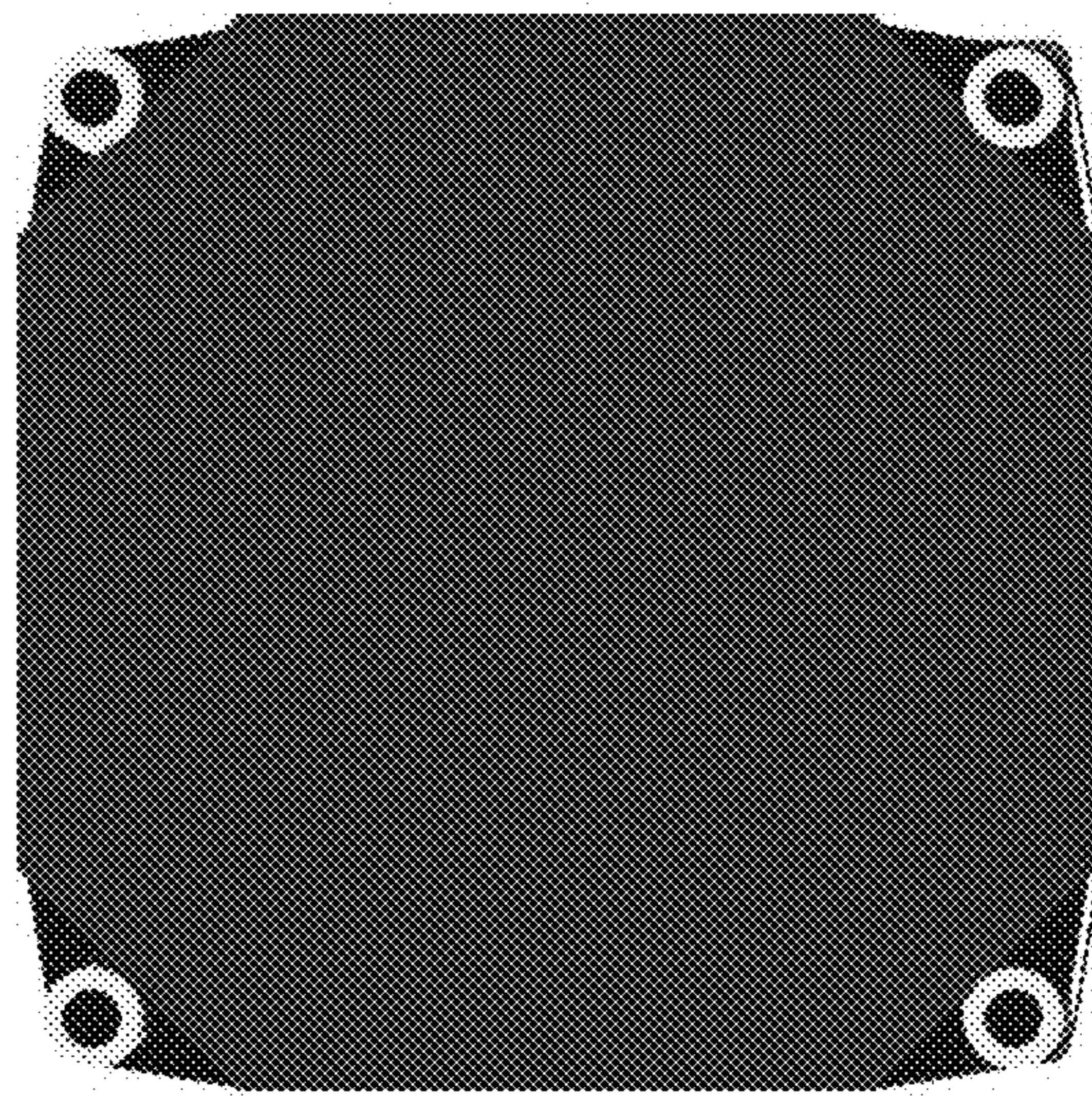


FIG. 4



FIG. 5

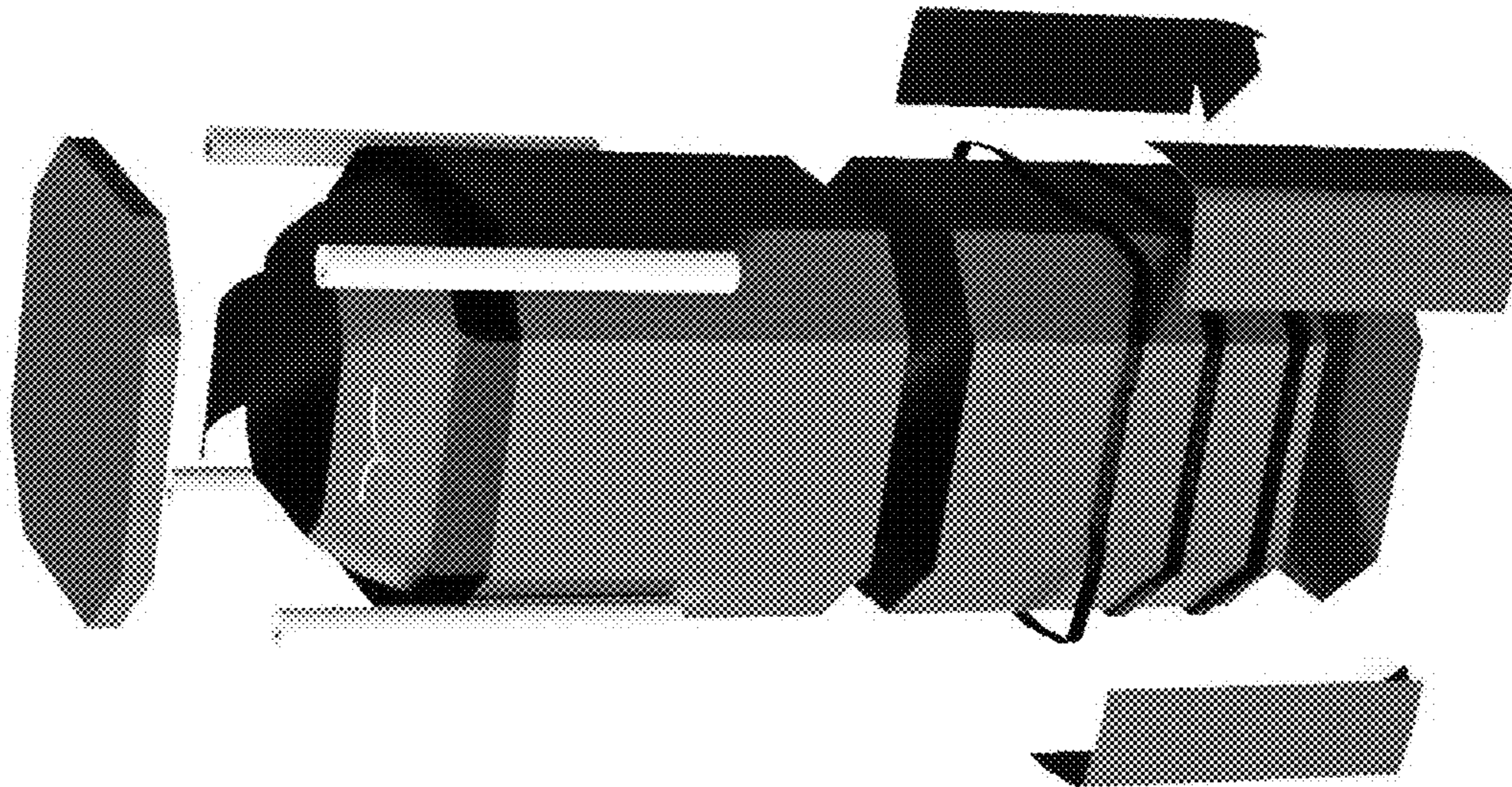


FIG. 6