



US00D891098S

(12) **United States Design Patent**  
**Sassi**

(10) **Patent No.:** **US D891,098 S**  
(45) **Date of Patent:** **\*\* Jul. 28, 2020**

(54) **BAG**  
(71) Applicant: **VALENTINO S.p.A.**, Milan (IT)  
(72) Inventor: **Stefano Sassi**, Milan (IT)  
(73) Assignee: **VALENTINO S.p.A.**, Milan (IT)  
(\*\*) Term: **15 Years**

D772,566 S \* 11/2016 Slimane ..... D3/245  
D819,329 S \* 6/2018 Gerbi ..... D3/232  
D820,586 S \* 6/2018 Vaccarello ..... D3/232

\* cited by examiner

*Primary Examiner* — Holly H Baynham  
(74) *Attorney, Agent, or Firm* — Thomas | Horstemeyer, LLP

(21) Appl. No.: **29/685,196**  
(22) Filed: **Mar. 27, 2019**

(30) **Foreign Application Priority Data**

Sep. 28, 2018 (IT) ..... 402018000003120

(51) **LOC (12) Cl.** ..... **03-01**

(52) **U.S. Cl.**  
USPC ..... **D3/245**

(58) **Field of Classification Search**  
USPC ..... D3/232–233, 240–243, 245–246  
CPC ..... A45C 1/024; A45C 3/08  
See application file for complete search history.

(56) **References Cited**

**U.S. PATENT DOCUMENTS**

D691,798 S \* 10/2013 Venturini Fendi ..... D3/232  
D710,092 S \* 8/2014 Boutet ..... D3/232

(57) **CLAIM**

The ornamental design for a bag, as shown and described.

**DESCRIPTION**

FIG. 1 is a perspective view of a bag, showing my new design;  
FIG. 2 is a front view thereof;  
FIG. 3 is a rear view thereof;  
FIG. 4 is a side view thereof;  
FIG. 5 is a side view thereof, opposite that of FIG. 4;  
FIG. 6 is a top view thereof; and,  
FIG. 7 is a bottom view thereof.

**1 Claim, 7 Drawing Sheets**





FIG. 1



FIG. 2



FIG. 3

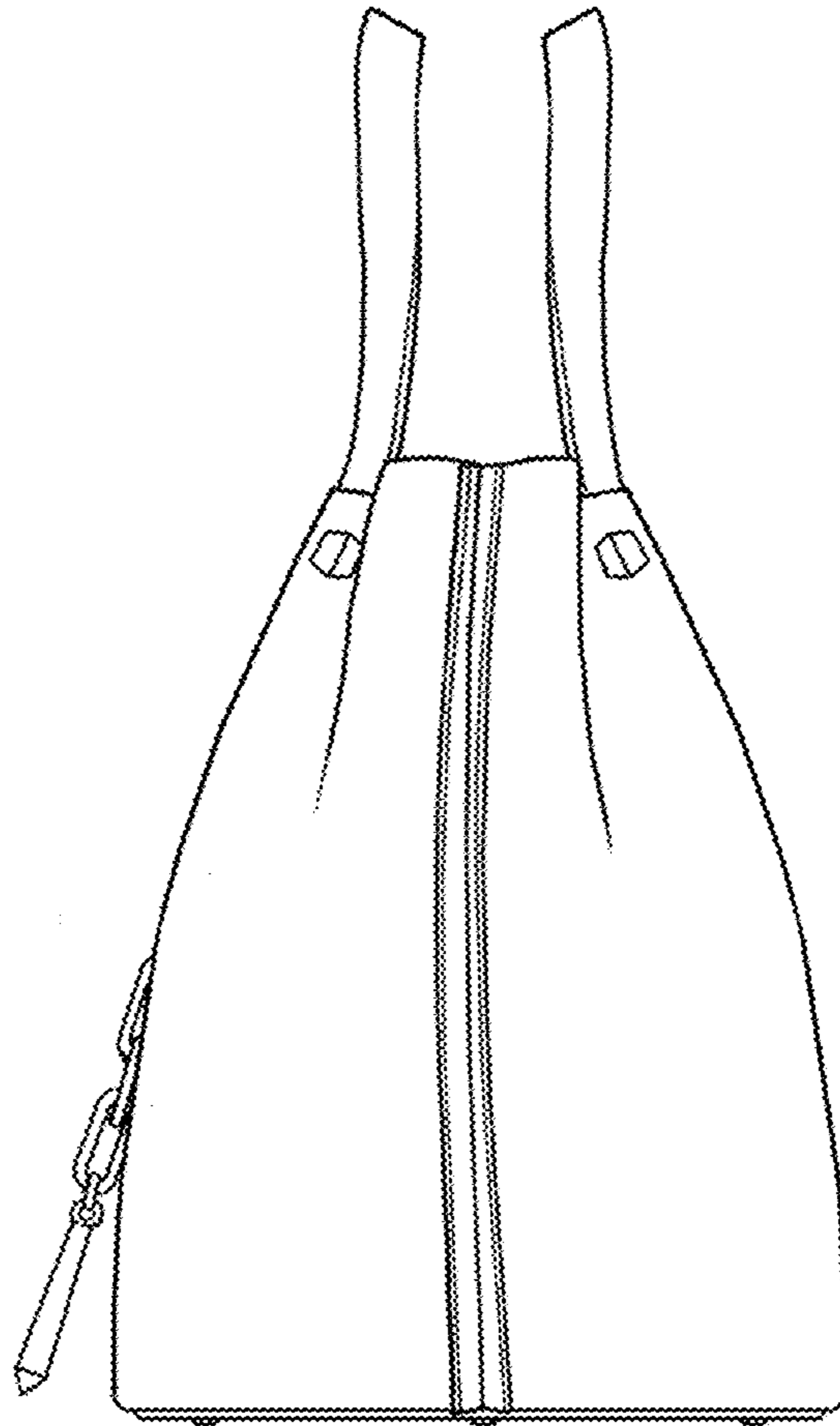


FIG. 4

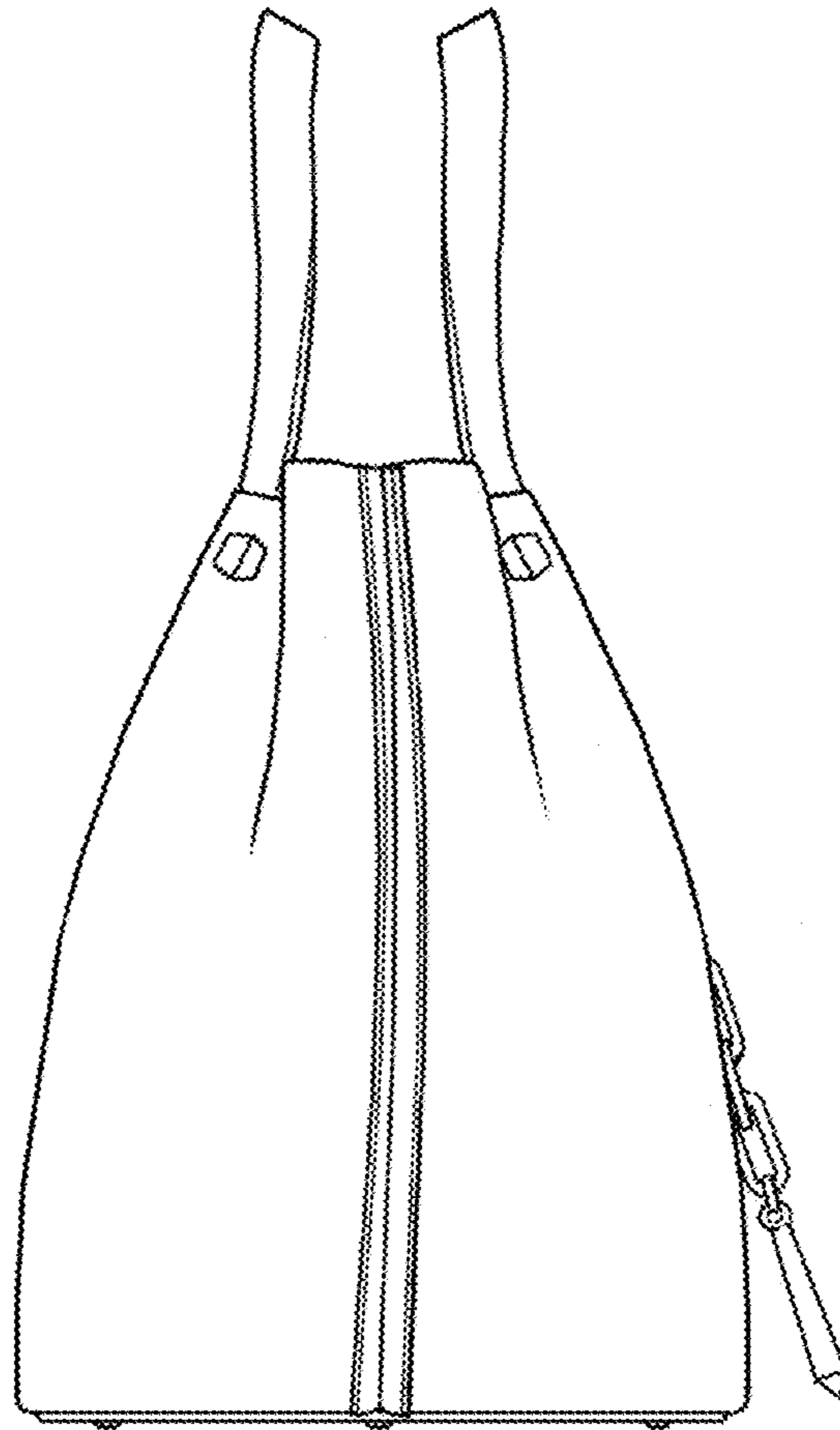


FIG. 5

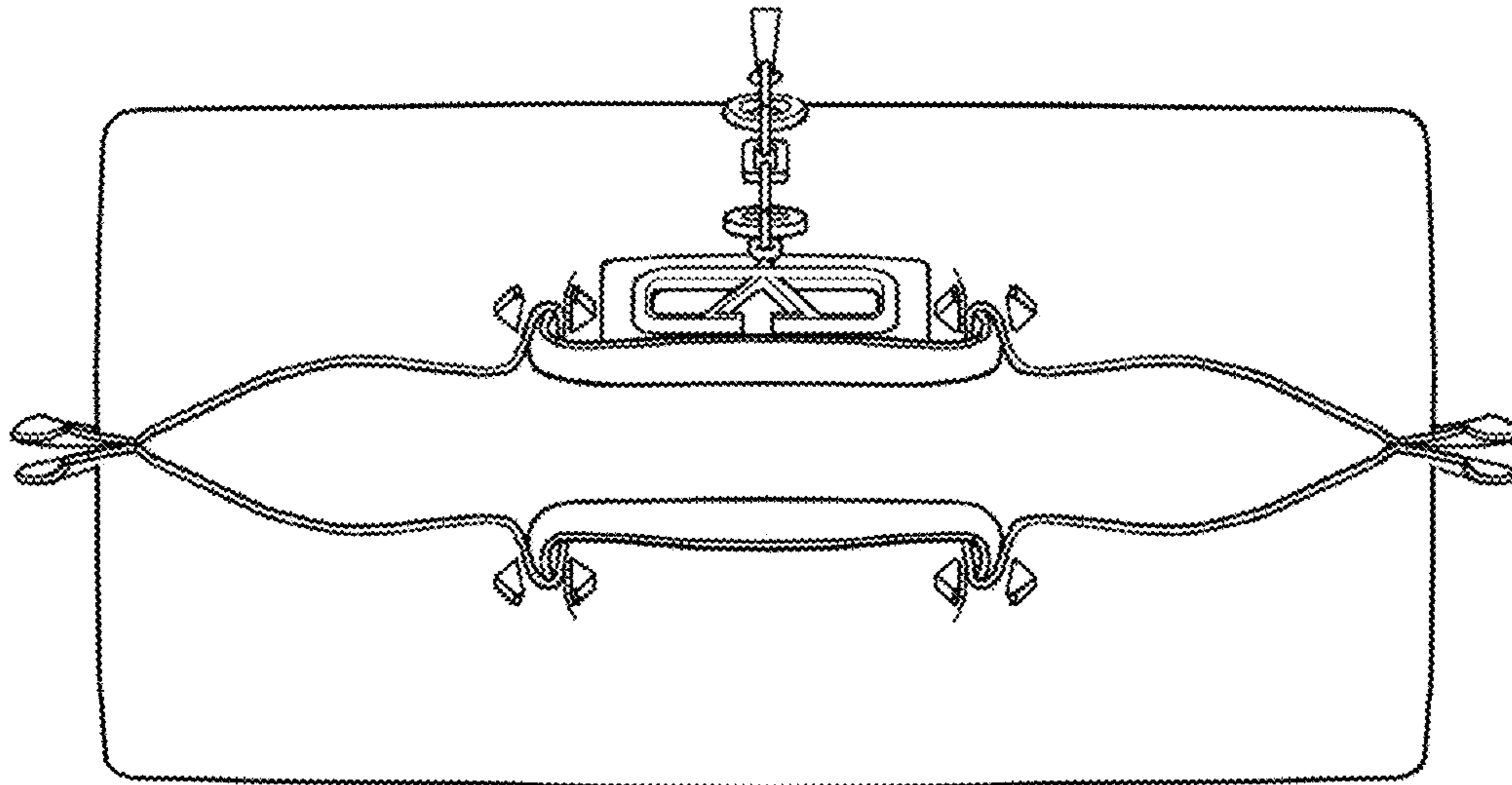


FIG. 6

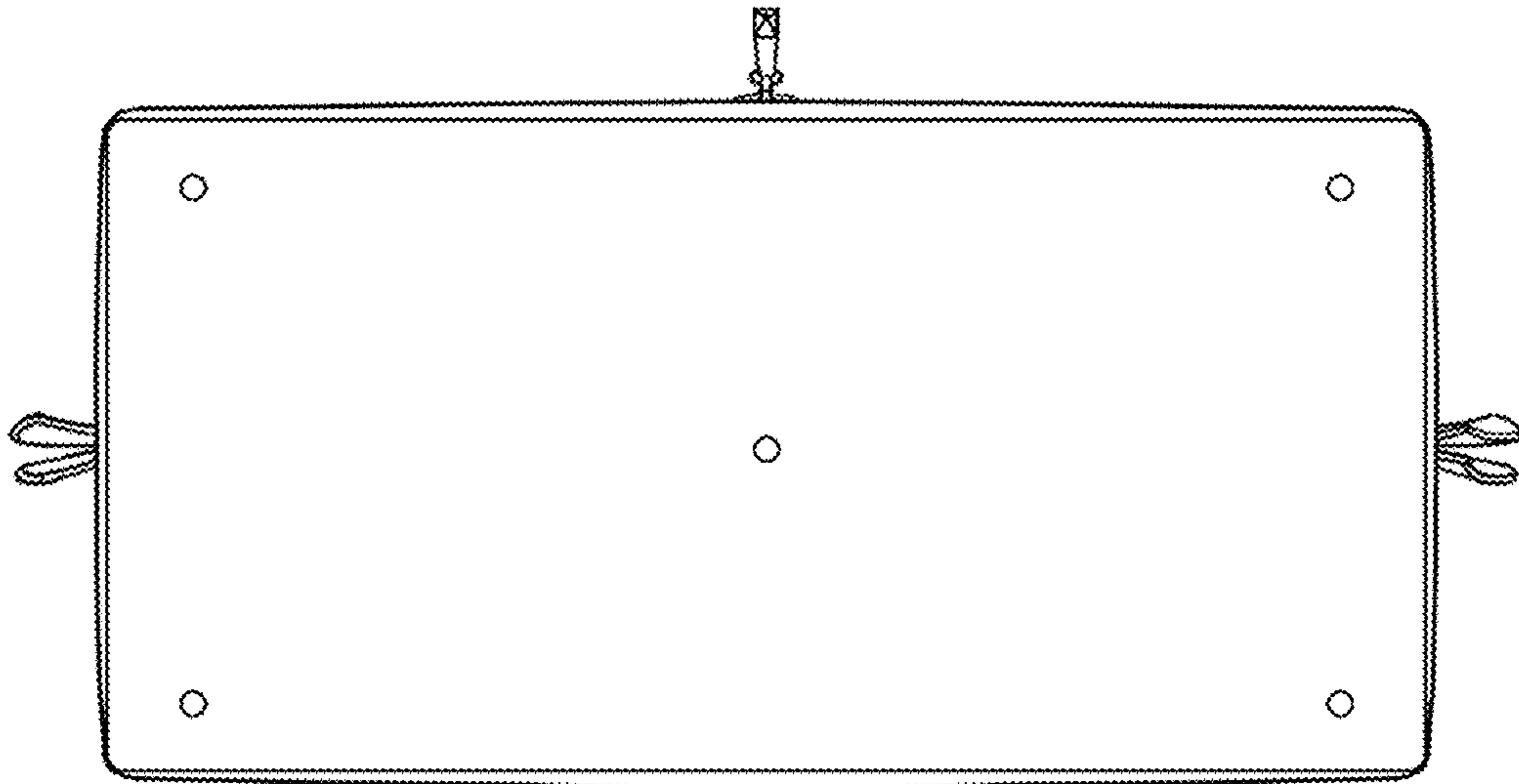


FIG. 7