



US00D891096S

(12) **United States Design Patent**
Kikuta

(10) **Patent No.:** **US D891,096 S**

(45) **Date of Patent:** **** Jul. 28, 2020**

(54) **BAG**

(71) Applicant: **Marna Inc.**, Tokyo (JP)

(72) Inventor: **Minami Kikuta**, Tokyo (JP)

(73) Assignee: **Marna Inc.**, Tokyo (JP)

(**) Term: **15 Years**

(21) Appl. No.: **29/649,447**

(22) Filed: **May 30, 2018**

(30) **Foreign Application Priority Data**

Nov. 30, 2017 (JP) 2017-026641

(51) **LOC (12) Cl.** **03-01**

(52) **U.S. Cl.**
USPC **D3/233**

(58) **Field of Classification Search**

USPC D3/215-217, 273, 289, 290, 318, 321,
D3/322, 323, 243, 244, 246, 232, 211,
D3/223, 234, 238, 248, 270, 271.2, 325,
D3/233; 383/72

CPC A45F 4/02; A45F 4/08; A45F 2200/05;
A45F 2200/0525; A45F 3/04; A45F
3/042; A45F 3/047; A45F 3/08; A45F
3/10; A45F 3/14; A45C 13/08; A45C
13/083; A45C 13/1046; A45C 2003/007;
A45C 3/10

See application file for complete search history.

(56) **References Cited**

U.S. PATENT DOCUMENTS

D491,362 S * 6/2004 Van Himbeeck D3/276
D720,537 S * 1/2015 Taller D3/285
D745,778 S * 12/2015 Shabou D3/229
D783,371 S * 4/2017 Burton D3/290
D802,441 S 11/2017 Kikuta

D830,686 S * 10/2018 Rogers D3/217
D833,736 S * 11/2018 Voll D3/217
D839,594 S * 2/2019 Molnar D3/274

(Continued)

FOREIGN PATENT DOCUMENTS

JP 51-25020 U 2/1976
JP 53-16503 Y 5/1978

(Continued)

Primary Examiner — Lilyana Bekic

Assistant Examiner — Mary Shannon Malley

(74) *Attorney, Agent, or Firm* — Westerman, Hattori,
Daniels & Adrian, LLP

(57) **CLAIM**

The ornamental design for a bag, as shown and described.

DESCRIPTION

FIG. 1 is a front perspective view of a bag, showing my new design in a flattened inside-out configuration;

FIG. 2 is a rear perspective view thereof;

FIG. 3 is a front elevational view thereof;

FIG. 4 is a rear elevational view thereof;

FIG. 5 is a top plan view thereof;

FIG. 6 is a bottom plan view thereof;

FIG. 7 is a right side elevational view thereof;

FIG. 8 is a left side elevational view thereof;

FIG. 9 is a perspective view of the bag in a right-side-out configuration for actual use;

FIG. 10 is a front elevational view thereof;

FIG. 11 is a rear elevational view thereof;

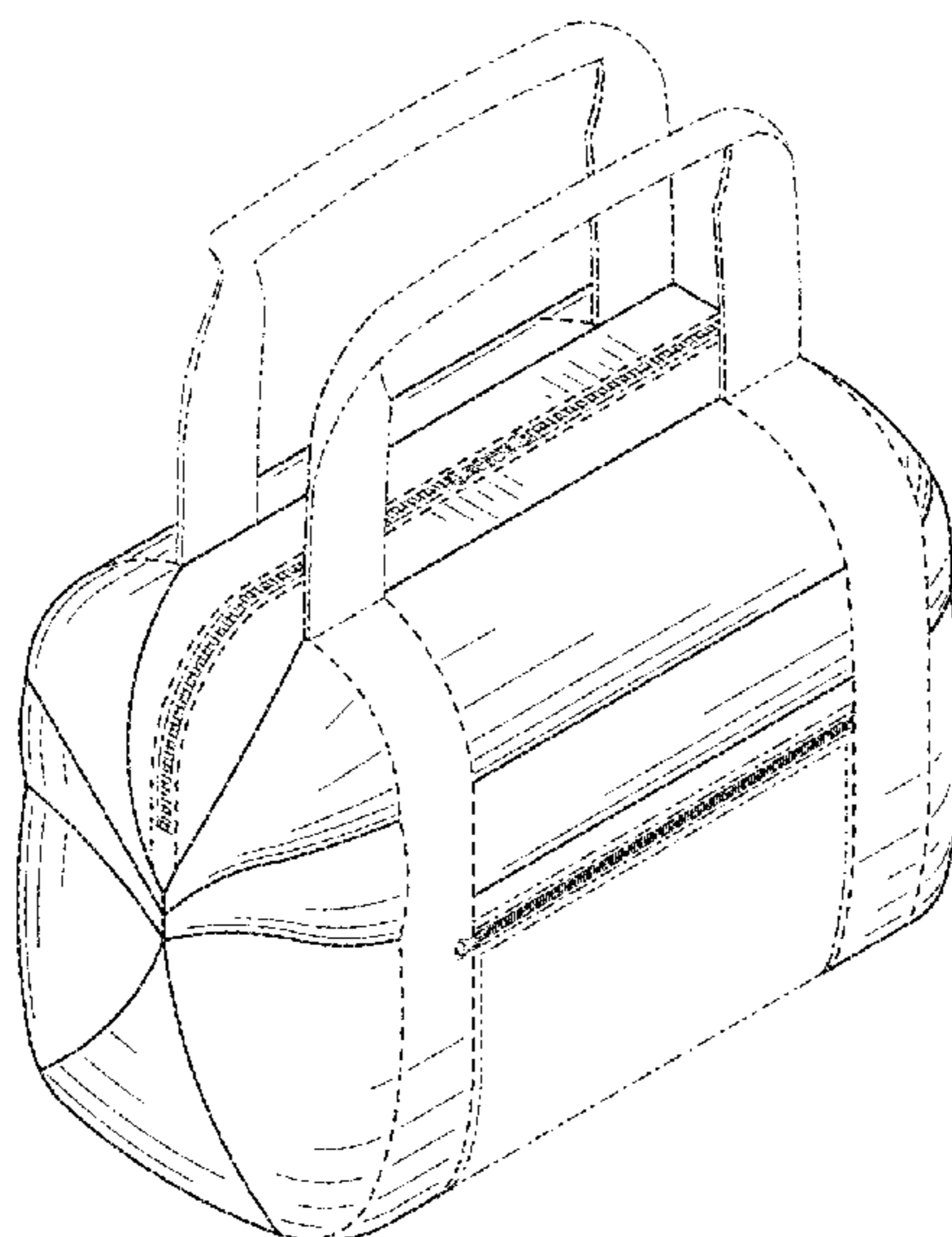
FIG. 12 is a top plan view thereof;

FIG. 13 is a bottom plan view thereof; and,

FIG. 14 is a right side elevational view thereof, the left side elevational view being a mirror image thereof.

The evenly-spaced dashed broken lines in the figures illustrate stitching and form part of the claimed design. The dot-dash-dot broken lines showing the handles, zippers, and other portions of the bag shown in FIGS. 1-12 and 14 form no part of the claimed design.

1 Claim, 7 Drawing Sheets



(56)

References Cited

U.S. PATENT DOCUMENTS

D850,282 S * 6/2019 Kikuta D9/703
D851,400 S * 6/2019 Seiders D3/289
2007/0034625 A1* 2/2007 Pacheco A45C 3/06
220/4.21
2007/0137959 A1* 6/2007 Zauderer A45C 3/08
190/110

FOREIGN PATENT DOCUMENTS

JP 1547911 S 4/2016
JP 1552416 S 6/2016
JP 1556778 S 8/2016
JP 1556780 S 8/2016
JP 1583118 S 8/2017
JP 1583355 S 8/2017
JP 1600967 S 4/2018
KR 30-0916423-0001 S 8/2017
KR 30-0916423-0002 S 8/2017

* cited by examiner

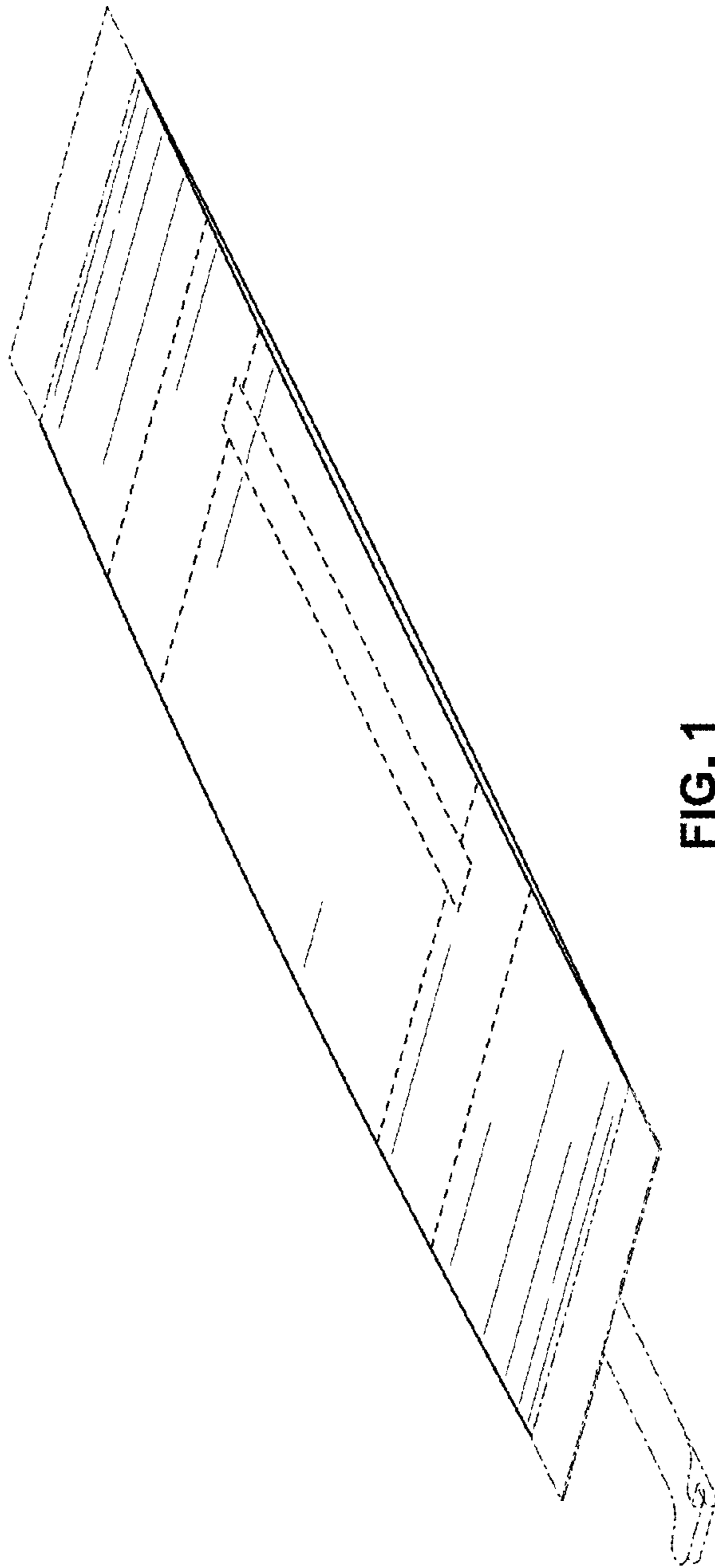


FIG. 1

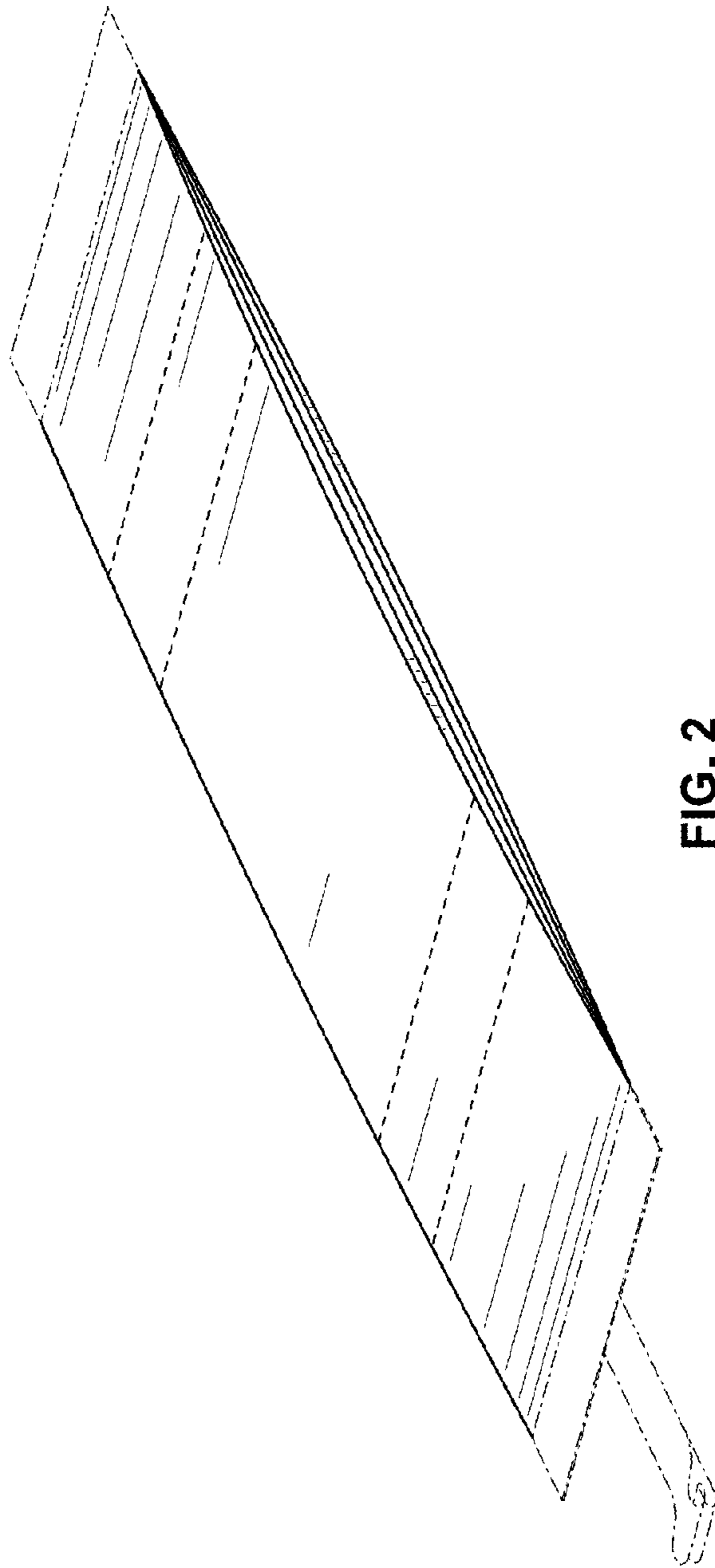


FIG. 2

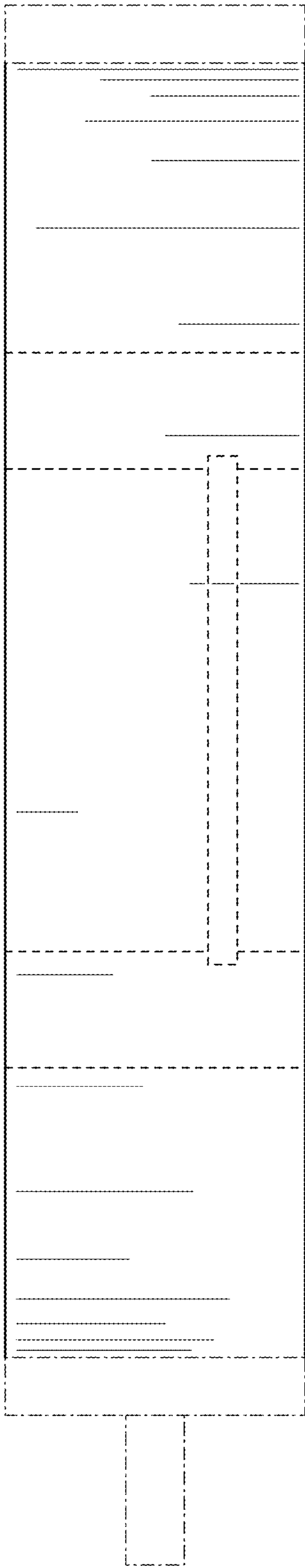


FIG. 3

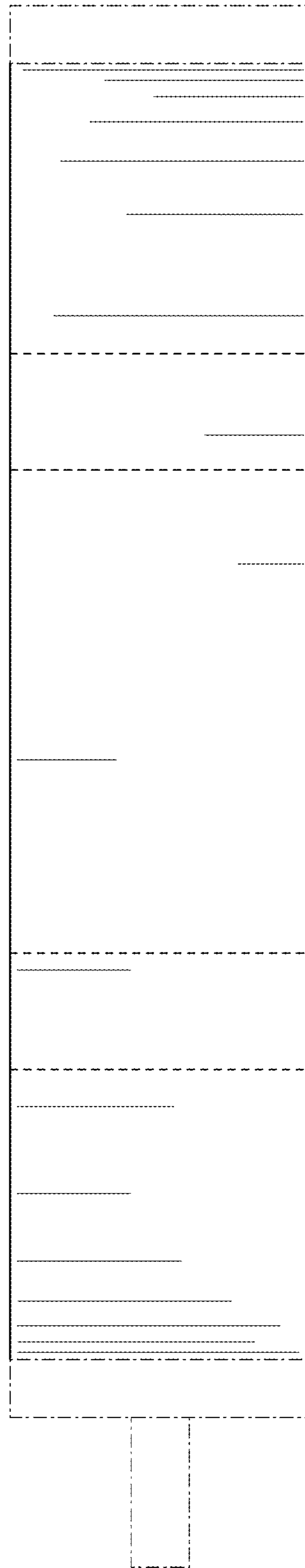


FIG. 4

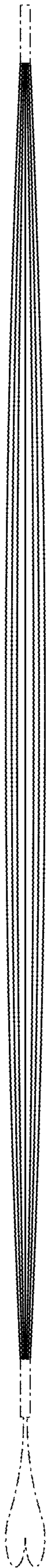


FIG. 5

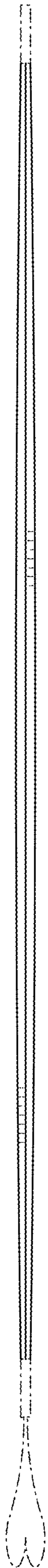


FIG. 6

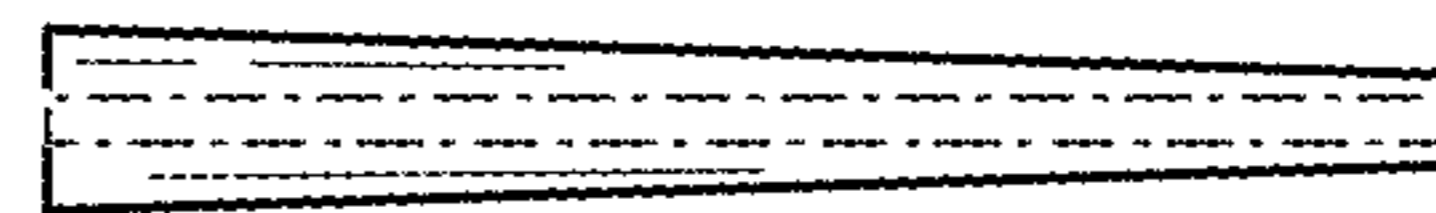


FIG. 7

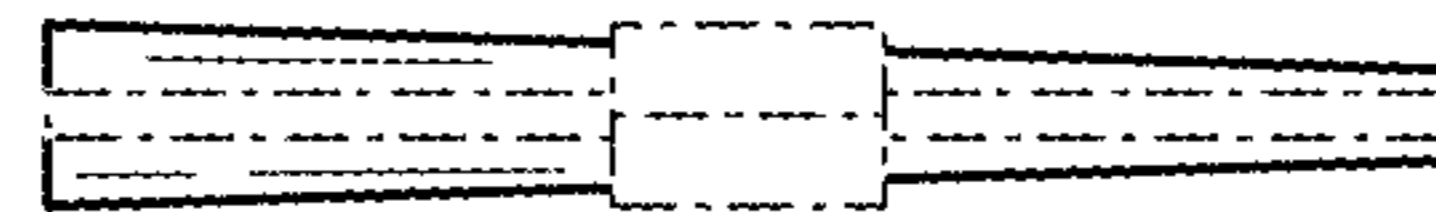


FIG. 8

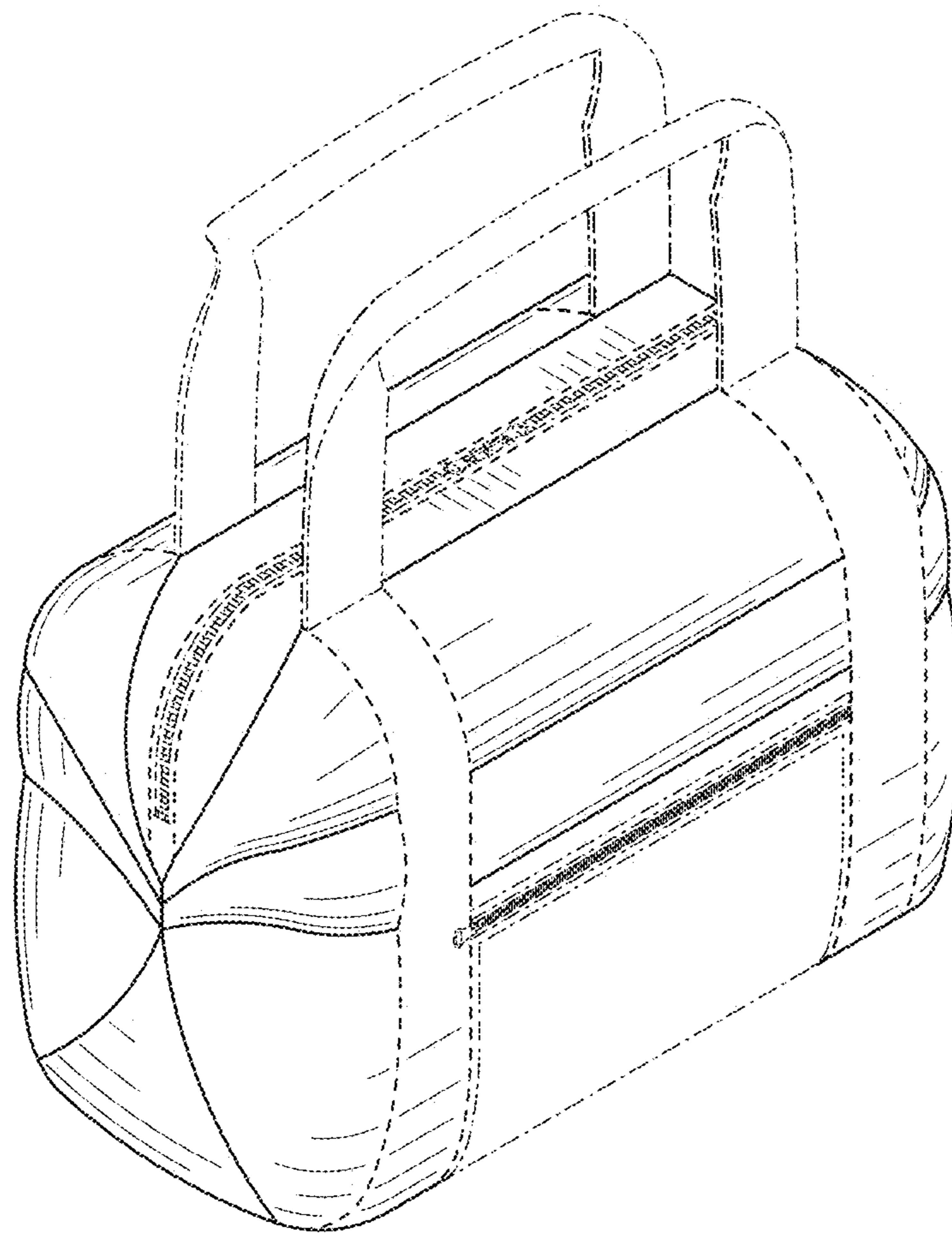


FIG. 9

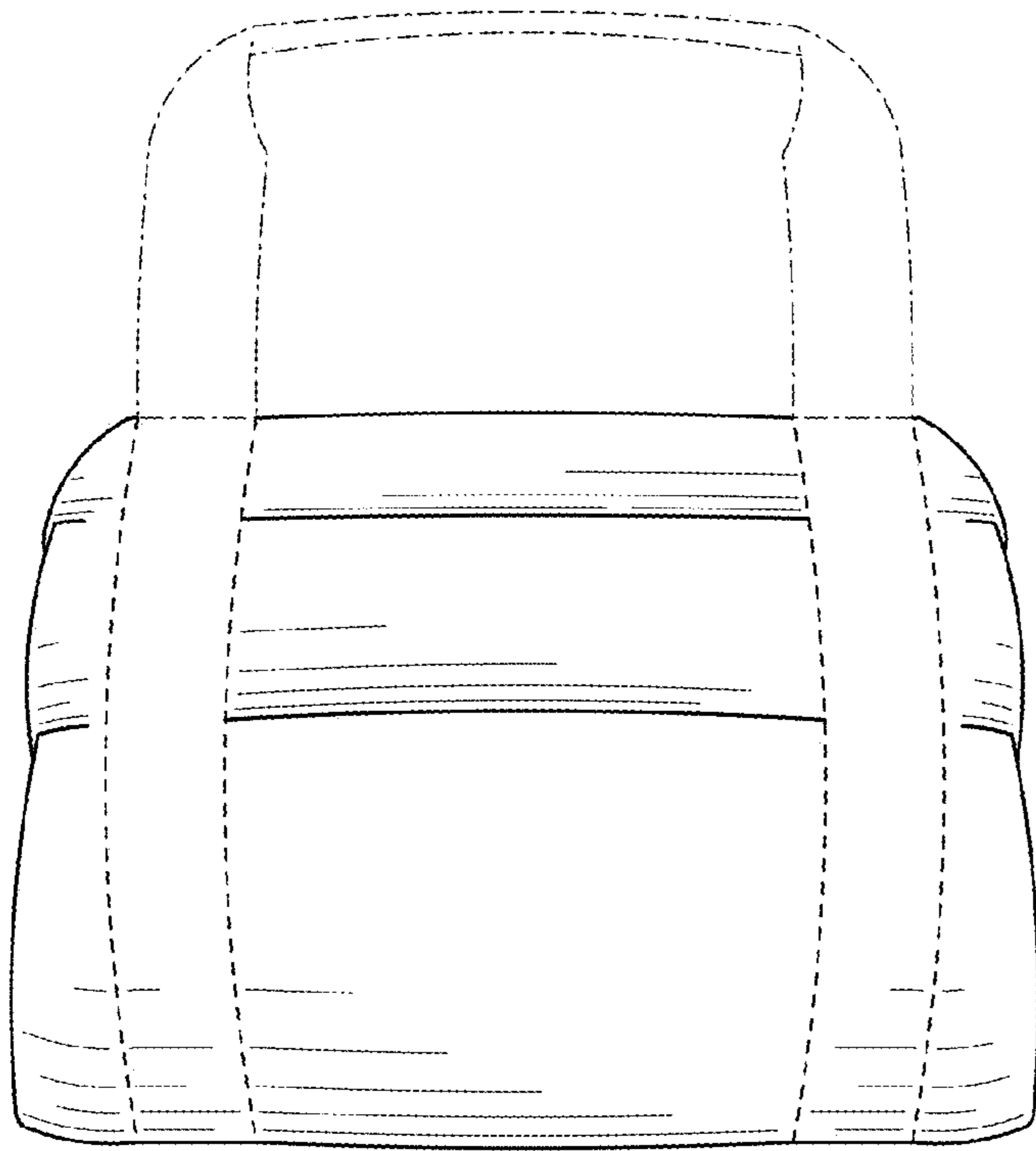


FIG. 10

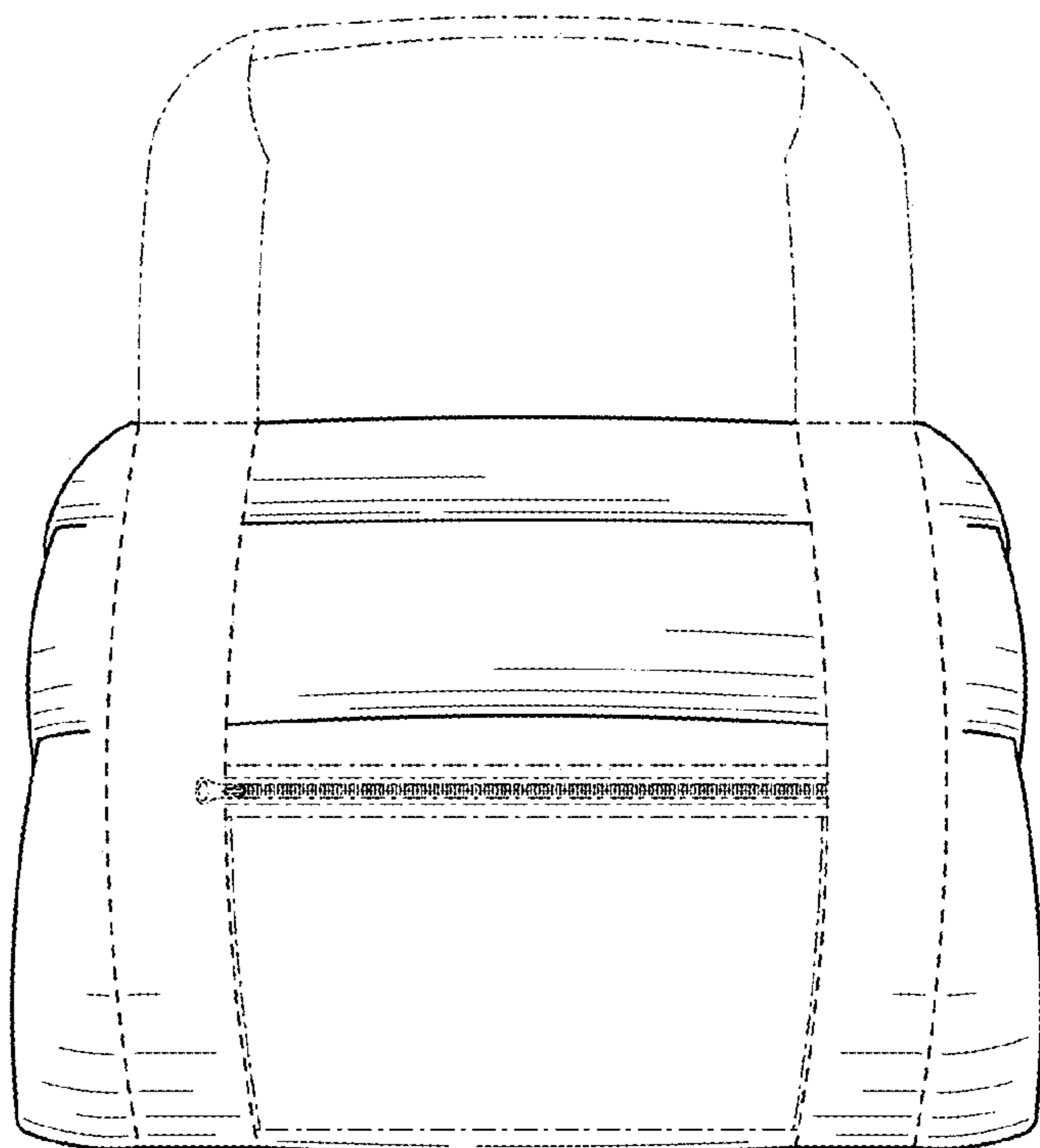


FIG. 11

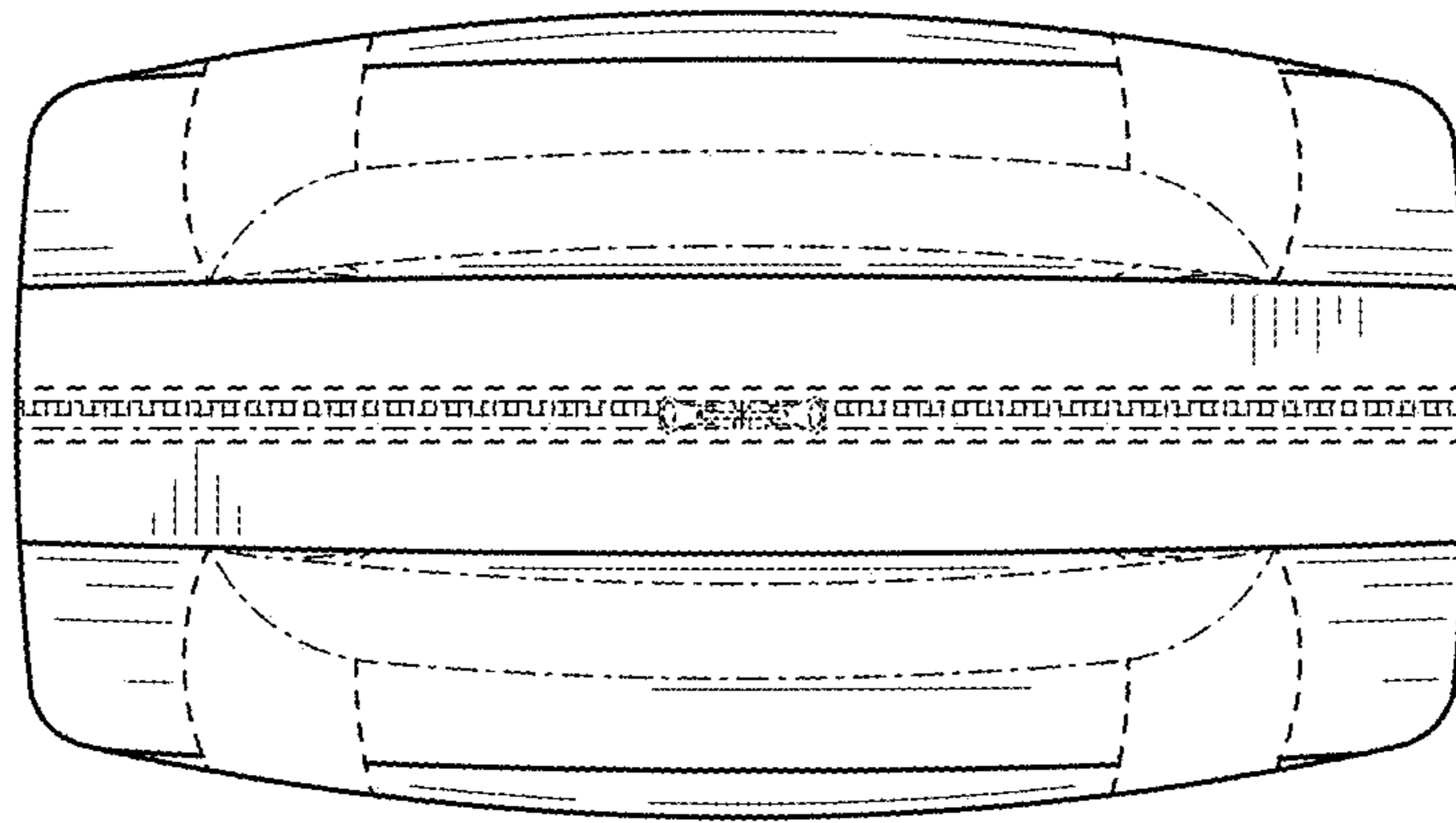


FIG. 12

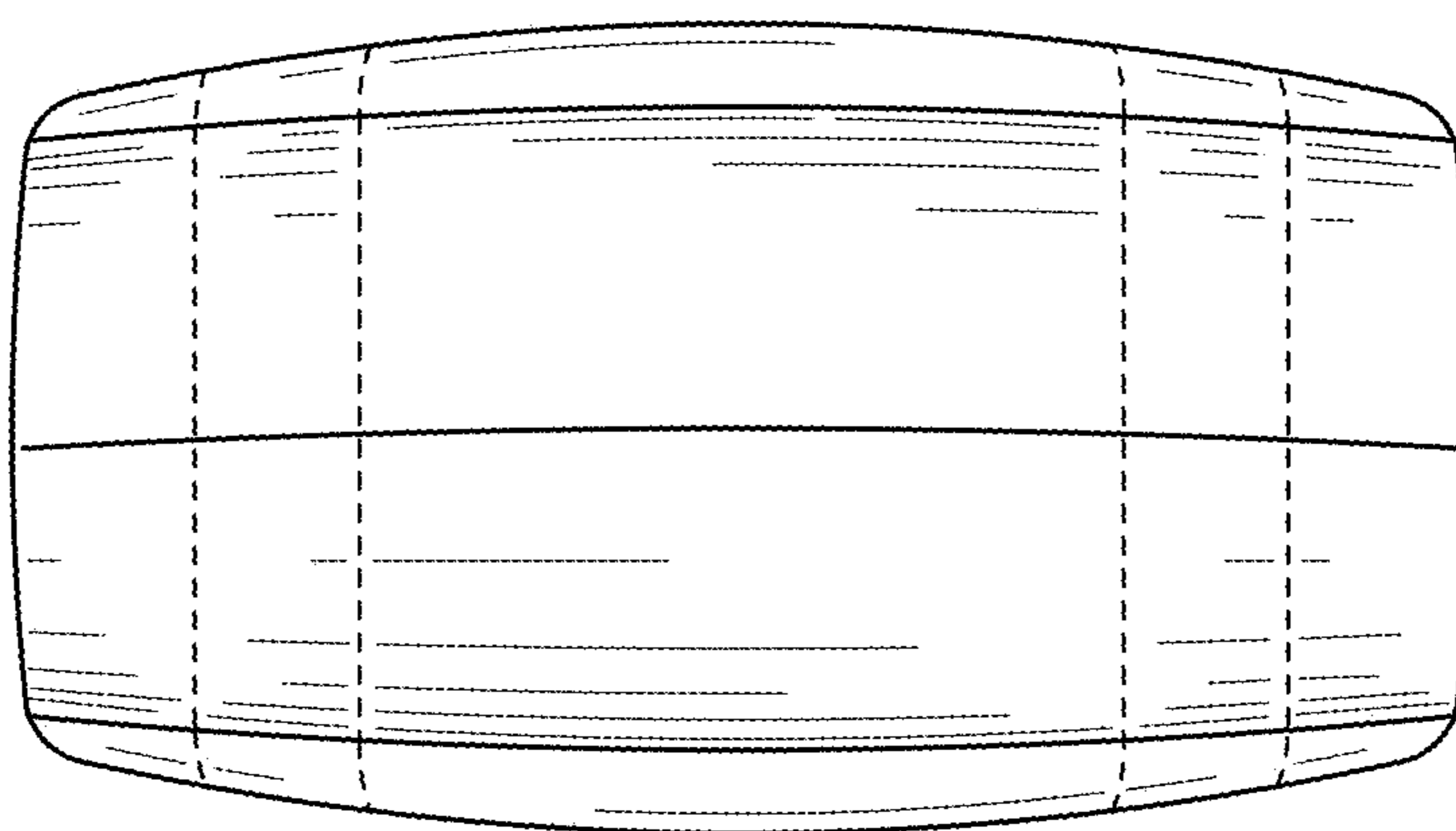


FIG. 13

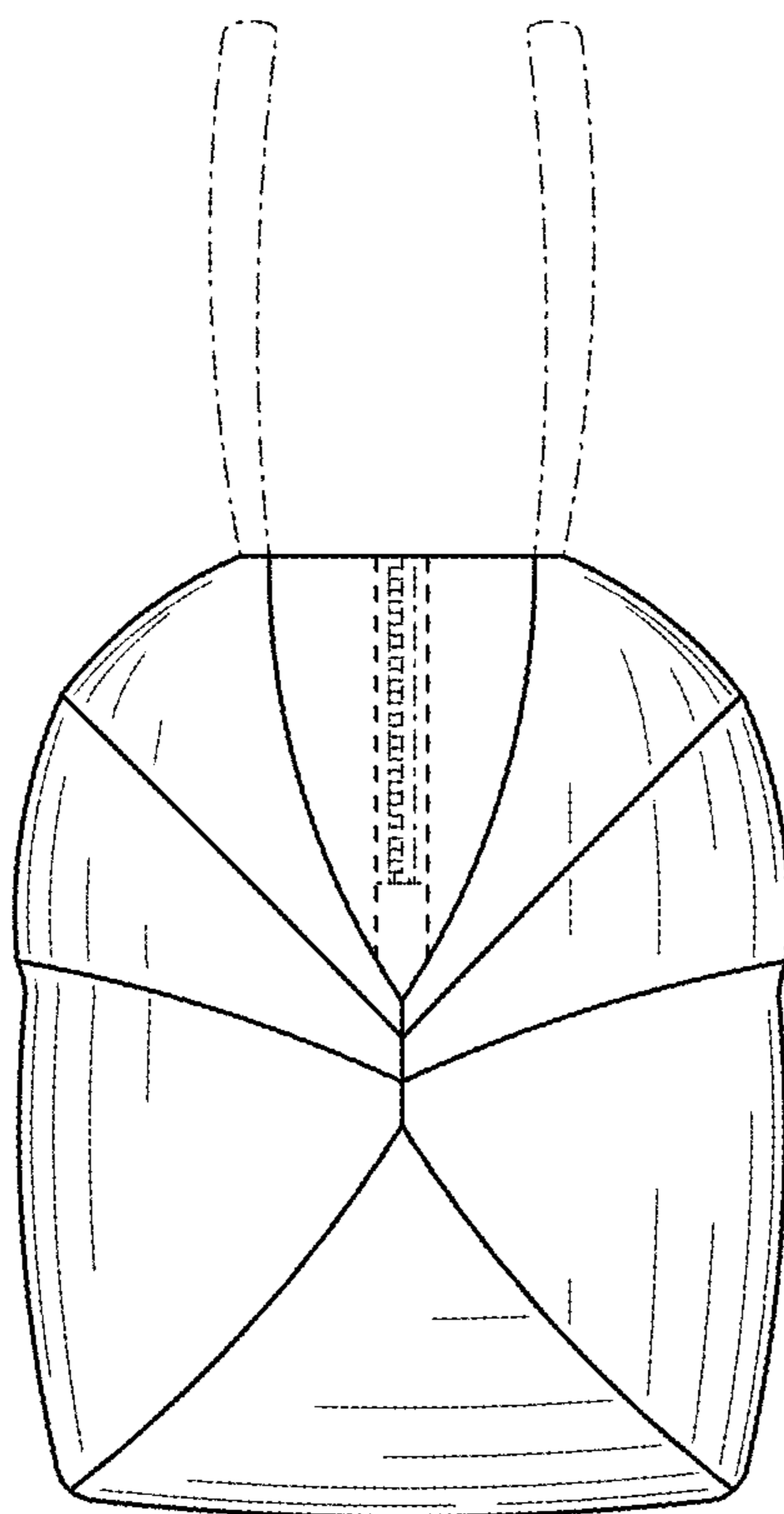


FIG. 14