

US00D891091S

(12) **United States Design Patent**  
**Baldemor**

(10) **Patent No.:** **US D891,091 S**  
(45) **Date of Patent:** **\*\* Jul. 28, 2020**

(54) **BACKPACK BAG WITH REMOVABLE CASES**

(71) Applicant: **Jay Baldemor**, Yorba Linda, CA (US)

(72) Inventor: **Jay Baldemor**, Yorba Linda, CA (US)

(\*\*) Term: **15 Years**

(21) Appl. No.: **29/670,617**

(22) Filed: **Nov. 18, 2018**

(51) **LOC (12) Cl.** ..... **03-01**

(52) **U.S. Cl.**  
USPC ..... **D3/217**

(58) **Field of Classification Search**  
USPC ..... D3/201, 216, 217, 254, 272, 279, 294  
(Continued)

(56) **References Cited**

U.S. PATENT DOCUMENTS

D323,237 S \* 1/1992 Zoltie ..... D2/831  
5,649,658 A \* 7/1997 Hoffman ..... A45F 3/04  
190/2

(Continued)

*Primary Examiner* — Jennifer L Watkins

(57) **CLAIM**

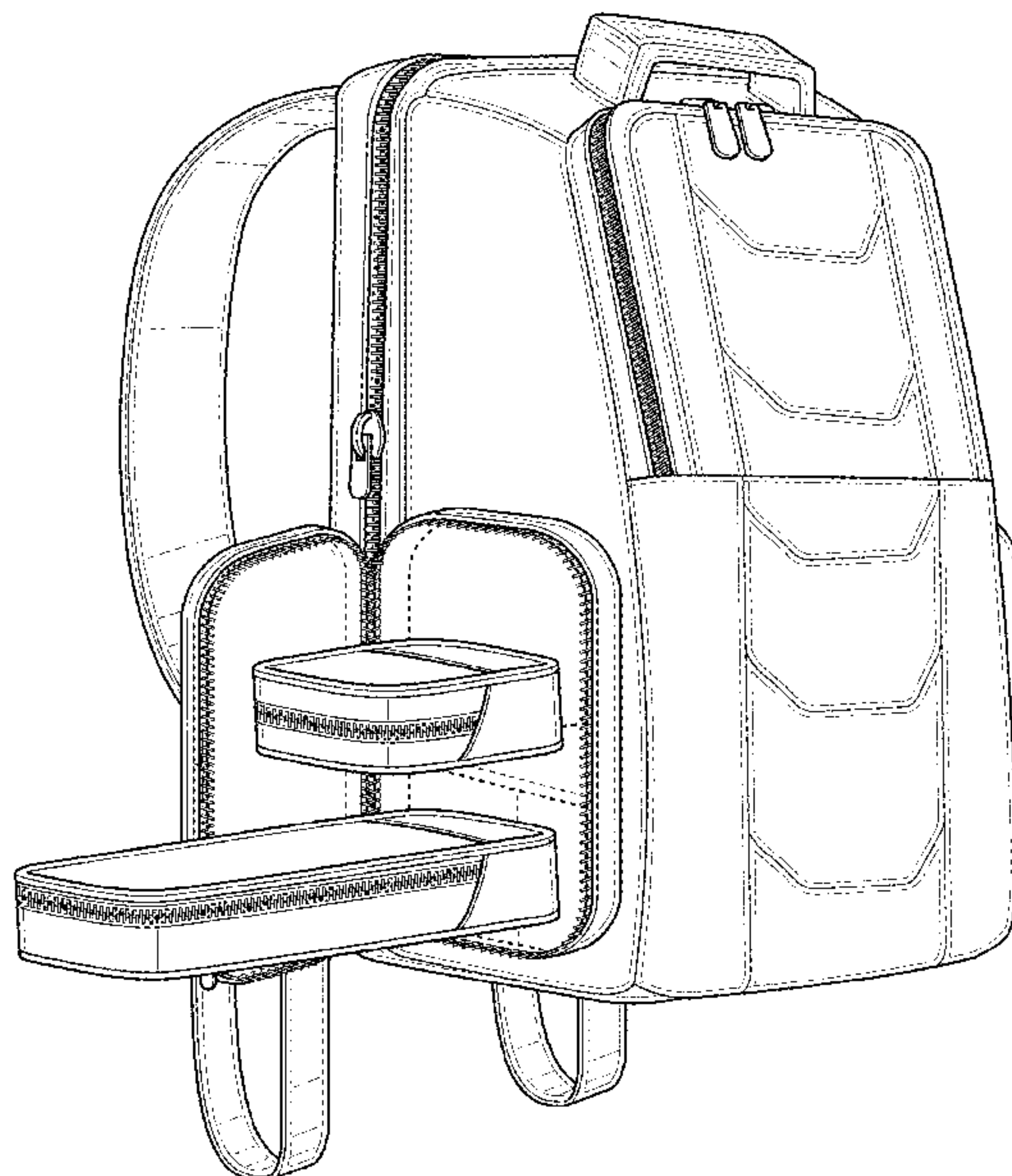
I claim the ornamental design for a backpack bag with removable cases, as shown and described.

**DESCRIPTION**

FIG. 1 is a perspective view of the backpack bag of the claimed design;  
FIG. 2 is a front side view of the backpack bag of FIG. 1;  
FIG. 3 is a back side view of the backpack bag of FIG. 1;  
FIG. 4 is a right side view of the backpack bag of FIG. 1;

FIG. 5 is a left side view of the backpack bag of FIG. 1;  
FIG. 6 is a top side view of the backpack bag of FIG. 1;  
FIG. 7 is a bottom side view of the backpack bag of FIG. 1;  
FIG. 8 is a perspective view of the backpack bag of FIG. 1, showing a left side pocket in an open position;  
FIG. 9 is a perspective view of the backpack bag of FIG. 1, showing the left side pocket in an open position (with two removable cases partially withdrawn from the interior of the backpack bag);  
FIG. 10 is a perspective view of one of two removable cases of the claimed design;  
FIG. 11 is a right side view of the removable case of FIG. 10;  
FIG. 12 is a left side view of the removable case of FIG. 10;  
FIG. 13 is a front side view of the removable case of FIG. 10;  
FIG. 14 is a back side view of the removable case of FIG. 10;  
FIG. 15 is a top side view of the removable case of FIG. 10;  
FIG. 16 is a bottom side view of the removable case of FIG. 10;  
FIG. 17 is a perspective view of a second of two removable cases of the claimed design;  
FIG. 18 is a right side view of the removable case of FIG. 17;  
FIG. 19 is a left side view of the removable case of FIG. 17;  
FIG. 20 is a front side view of the removable case of FIG. 17;  
FIG. 21 is a back side view of the removable case of FIG. 17;  
FIG. 22 is a top side view of the removable case of FIG. 17;  
and,  
FIG. 23 is a bottom side view of the removable case of FIG. 17.  
The dashed broken lines shown in FIG. 8 and FIG. 9, which illustrate certain internal portions of the backpack bag, define the bounds of the claimed design and form no part thereof.

**1 Claim, 11 Drawing Sheets**



(58) **Field of Classification Search**

CPC ..... A45F 3/04; A45F 4/02; A45F 2003/045;  
A45F 2003/125; A45F 3/02; A45F  
2003/127; A45F 3/047; A45F 3/12; A45F  
2003/001

See application file for complete search history.

(56) **References Cited**

U.S. PATENT DOCUMENTS

D448,161	S	*	9/2001	Holodnicki	.....	D3/216
D457,307	S	*	5/2002	Pukall	.....	D3/216
D635,762	S	*	4/2011	Fahim	.....	D3/217
D702,434	S	*	4/2014	Chalk	.....	D3/216
D714,541	S	*	10/2014	Anderson	.....	D3/217
D746,050	S	*	12/2015	Ford	.....	D3/217
D802,295	S	*	11/2017	Wu	.....	D3/217
D812,897	S	*	3/2018	Cheung	.....	D3/217
2012/0048904	A1	*	3/2012	Sciicluna	.....	A45C 13/30 224/627

\* cited by examiner



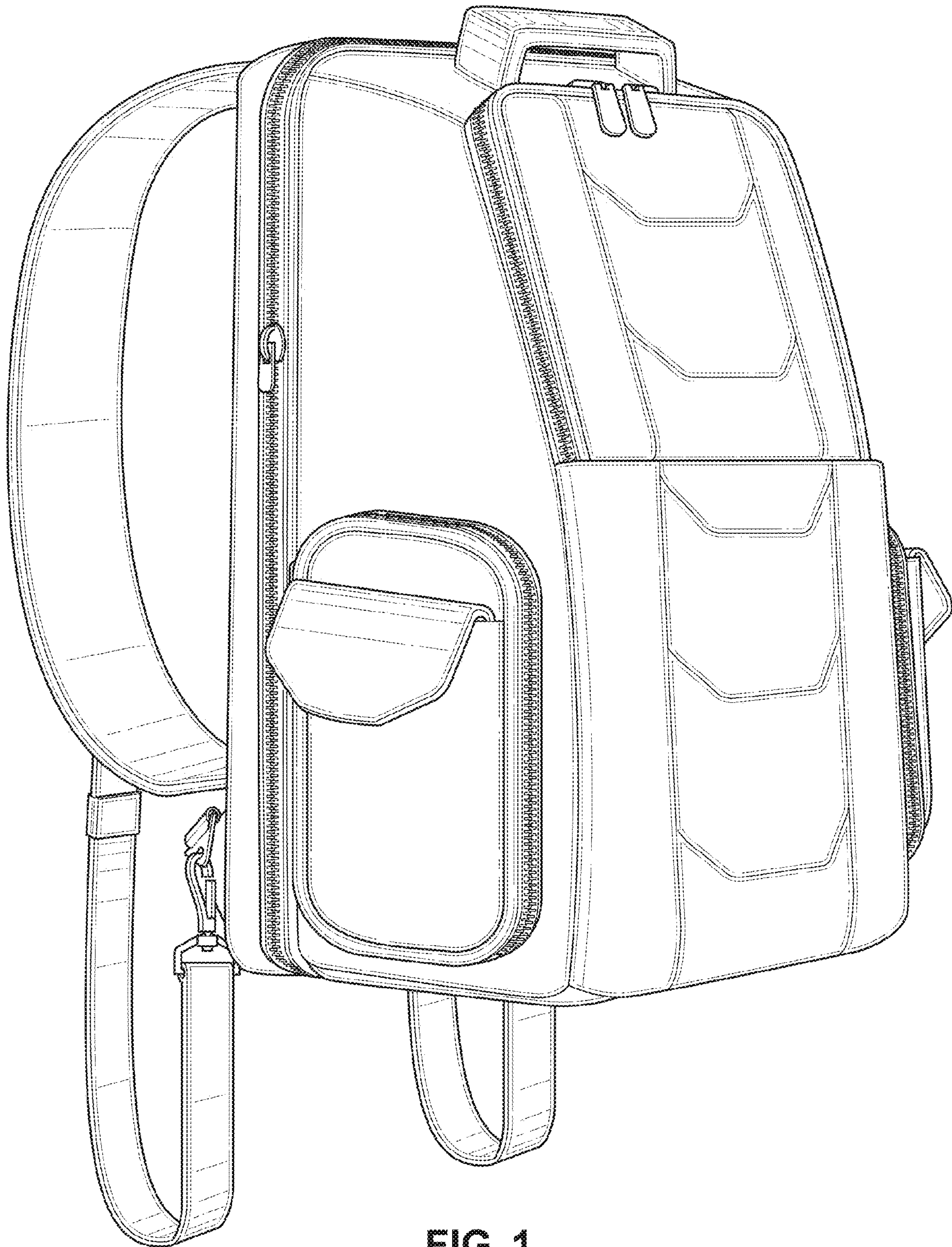


FIG. 1

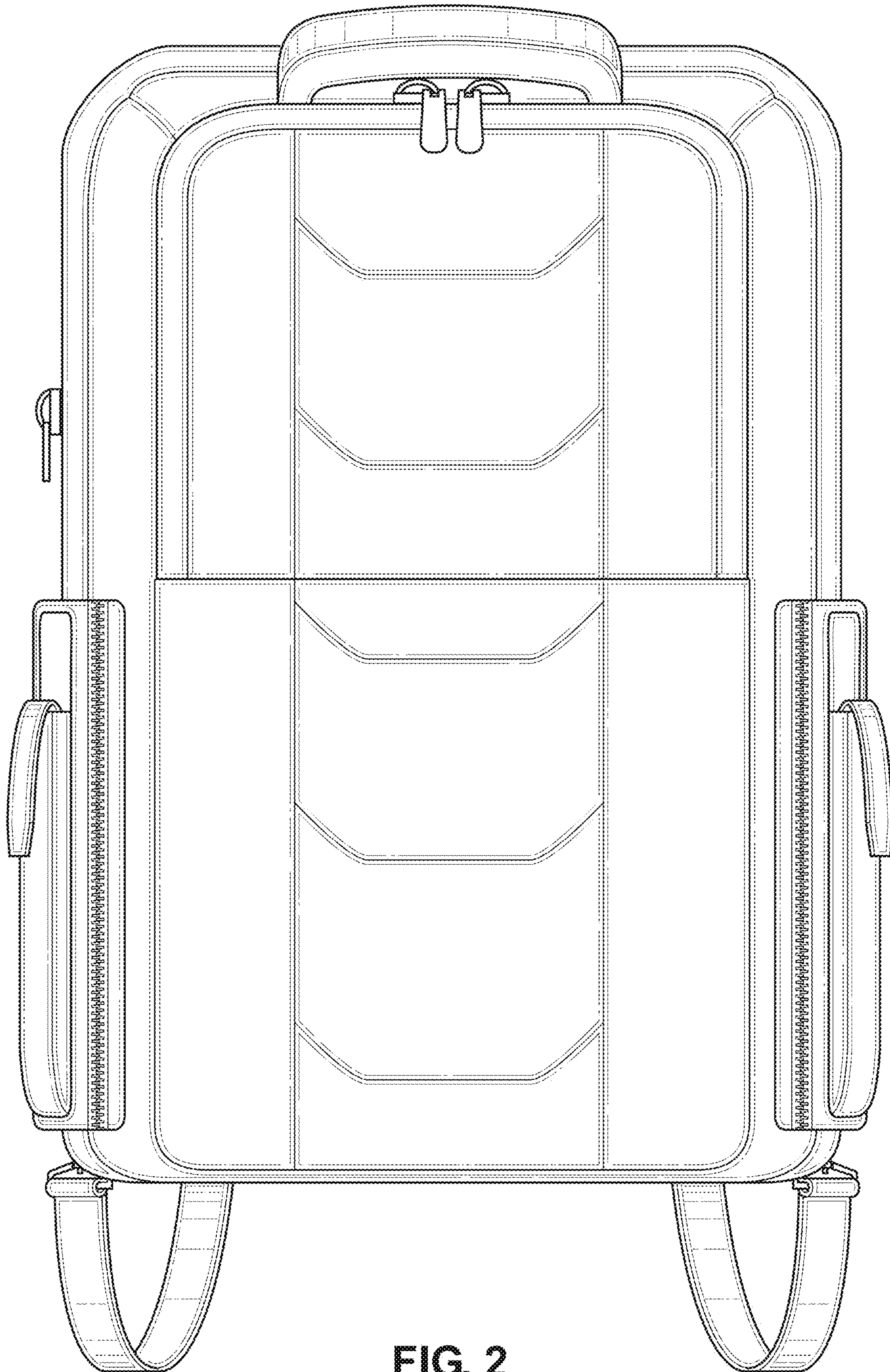


FIG. 2



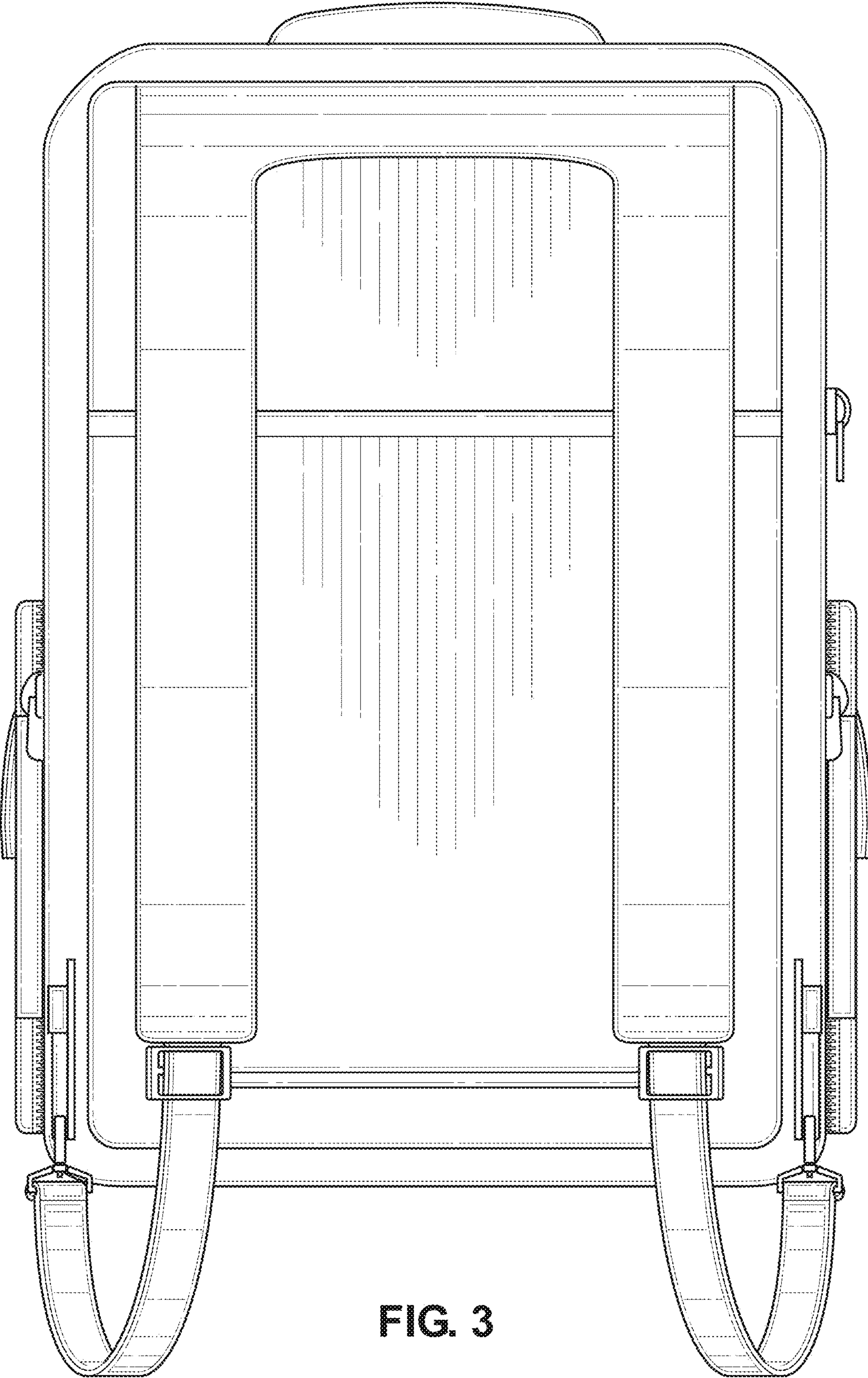


FIG. 3

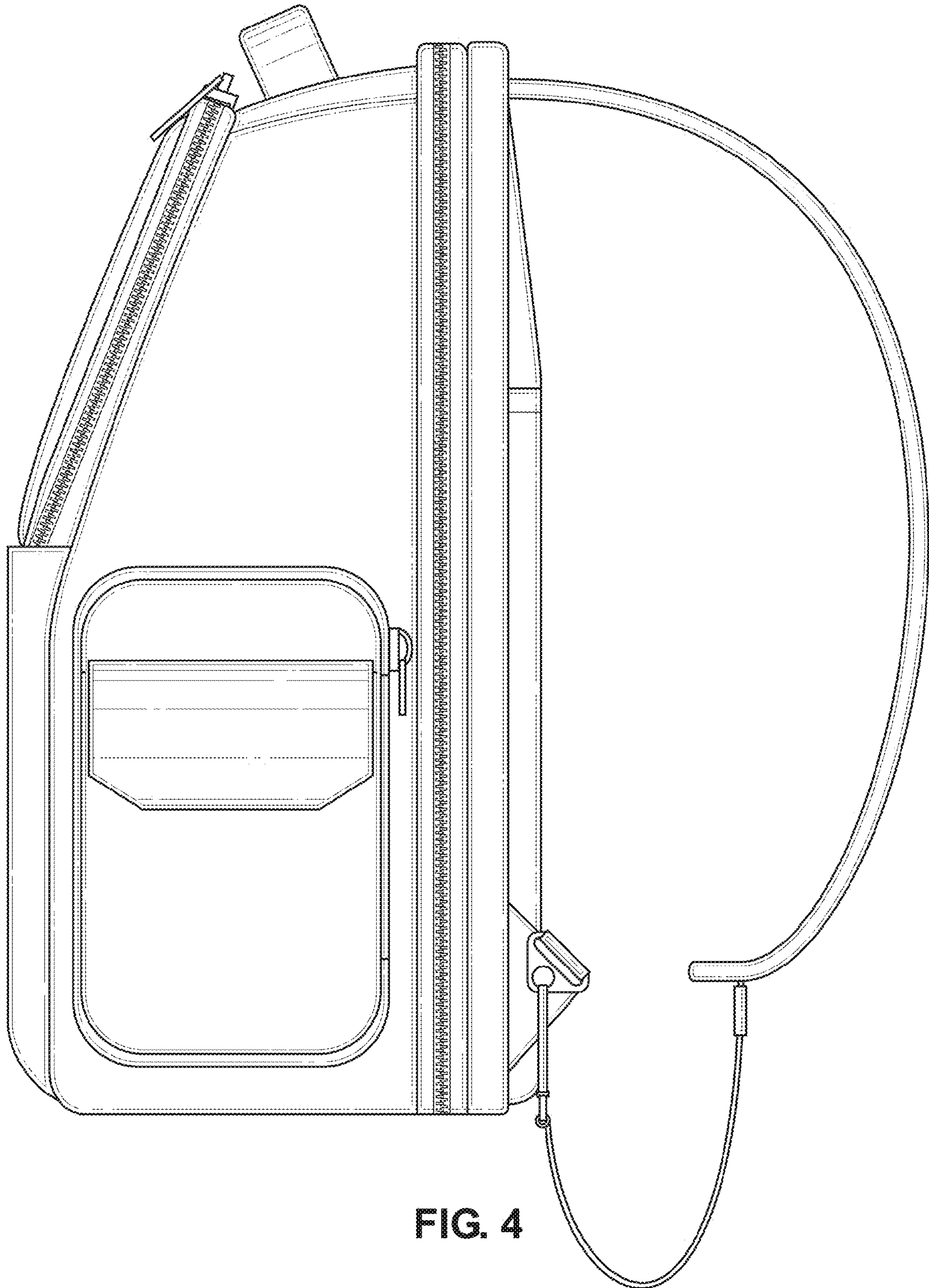


FIG. 4



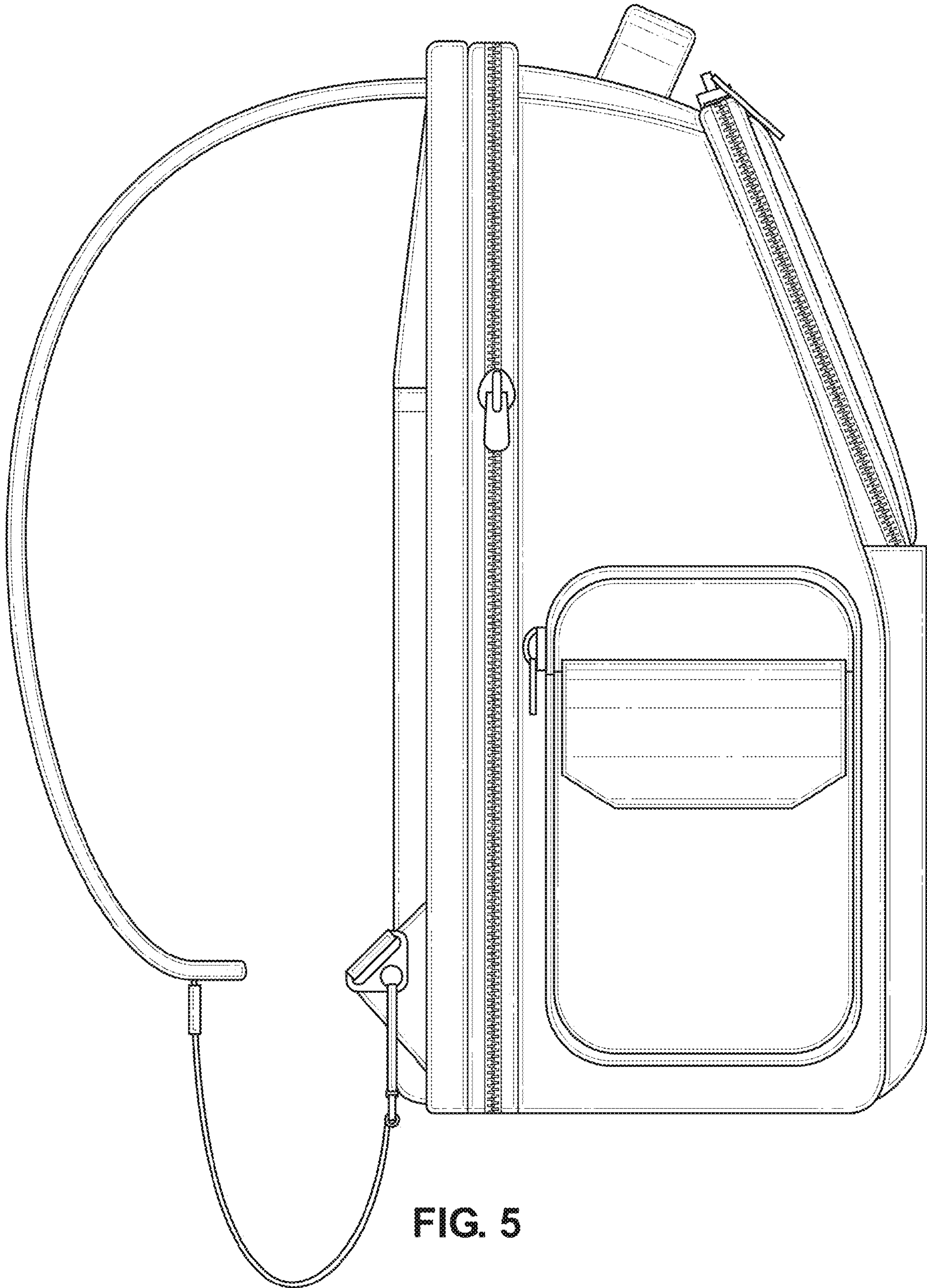


FIG. 5

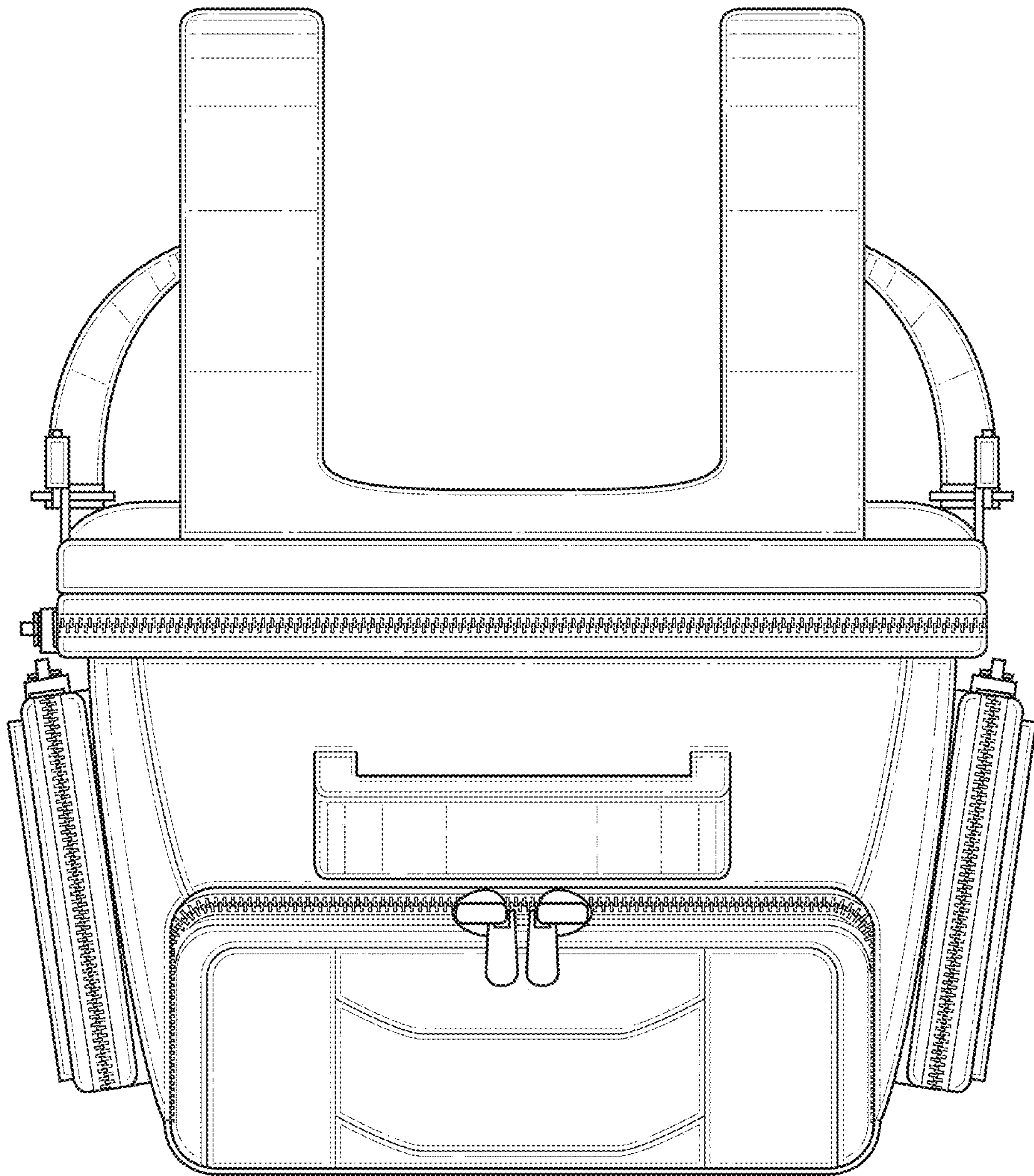


FIG. 6



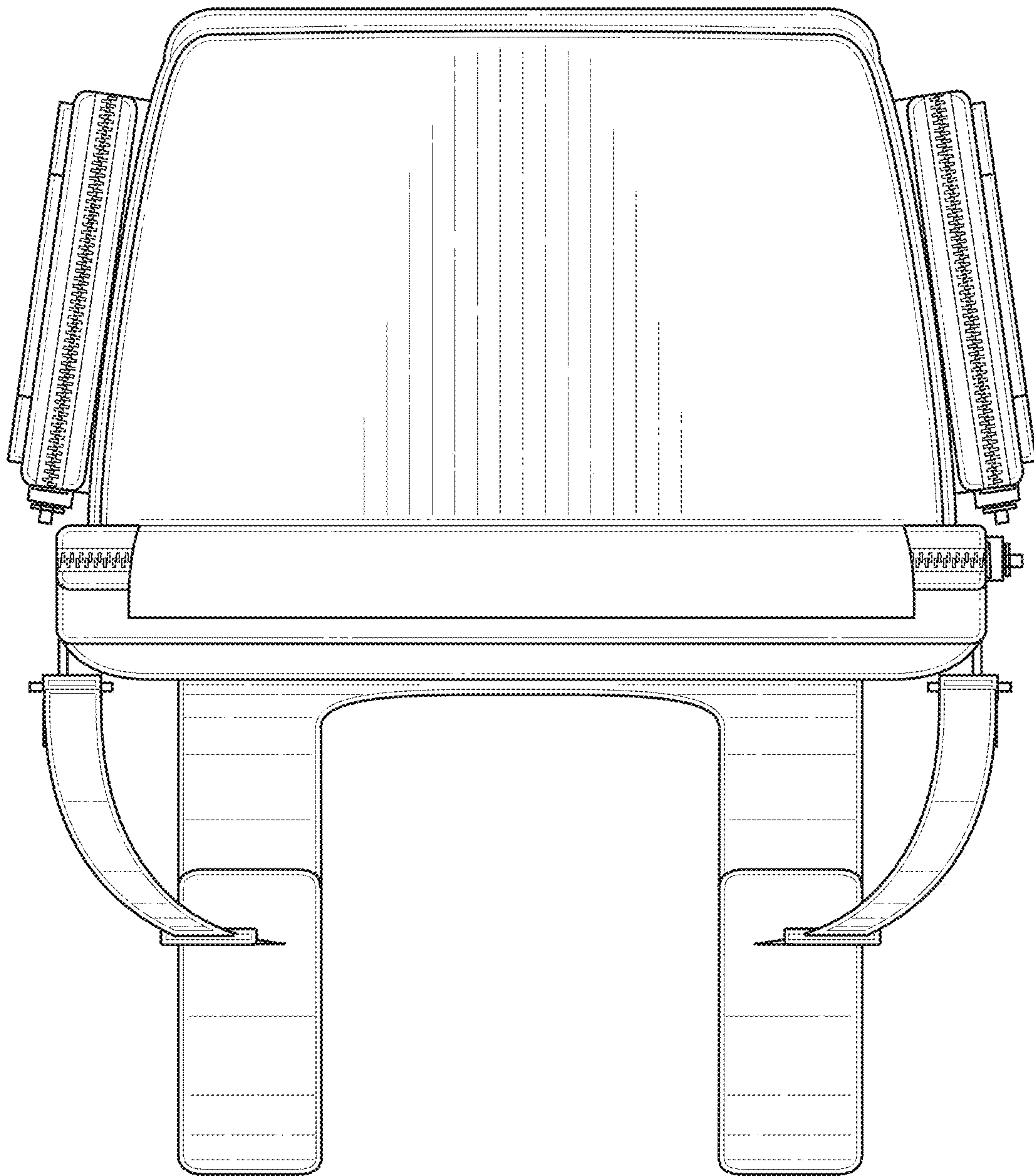


FIG. 7

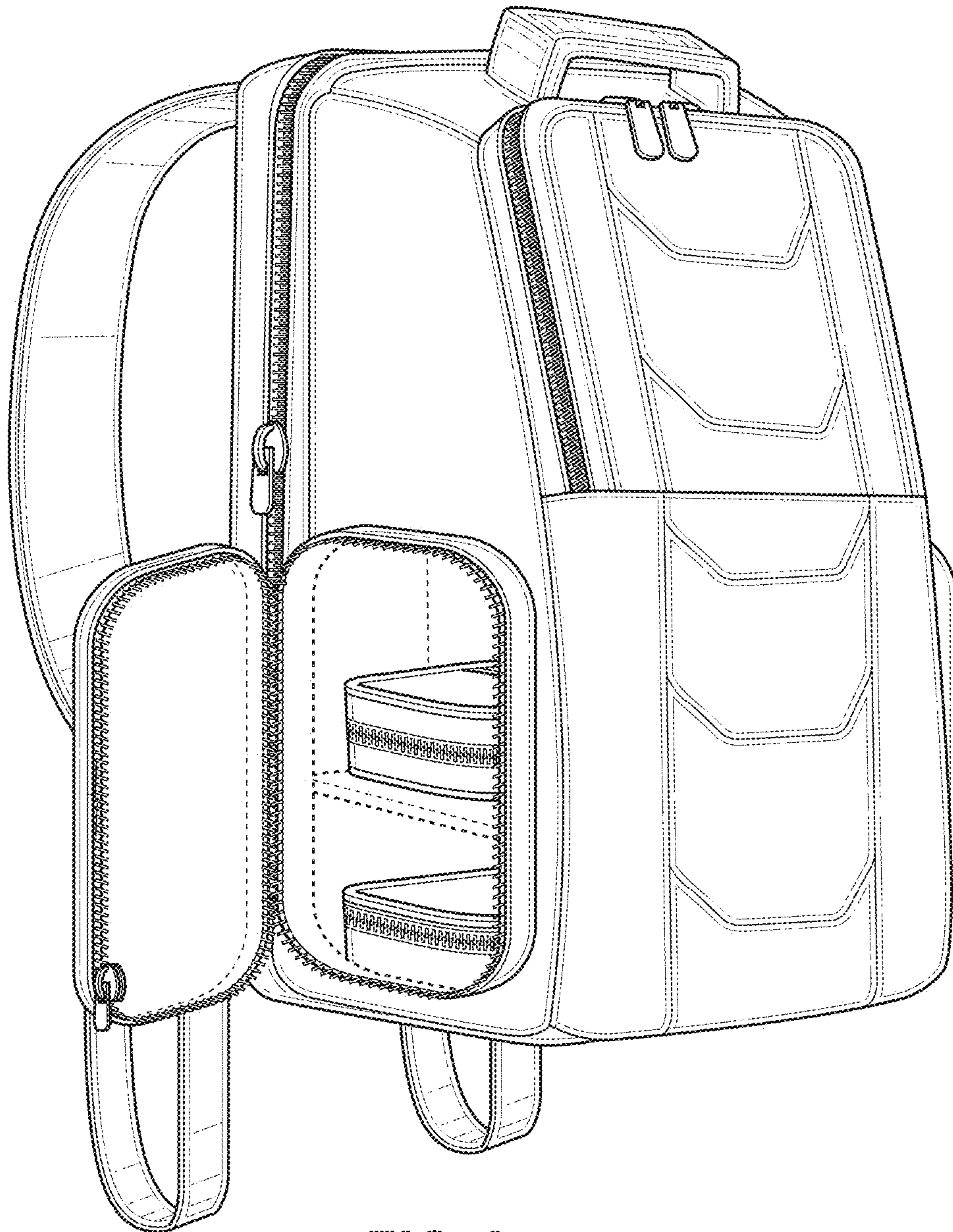


FIG. 8



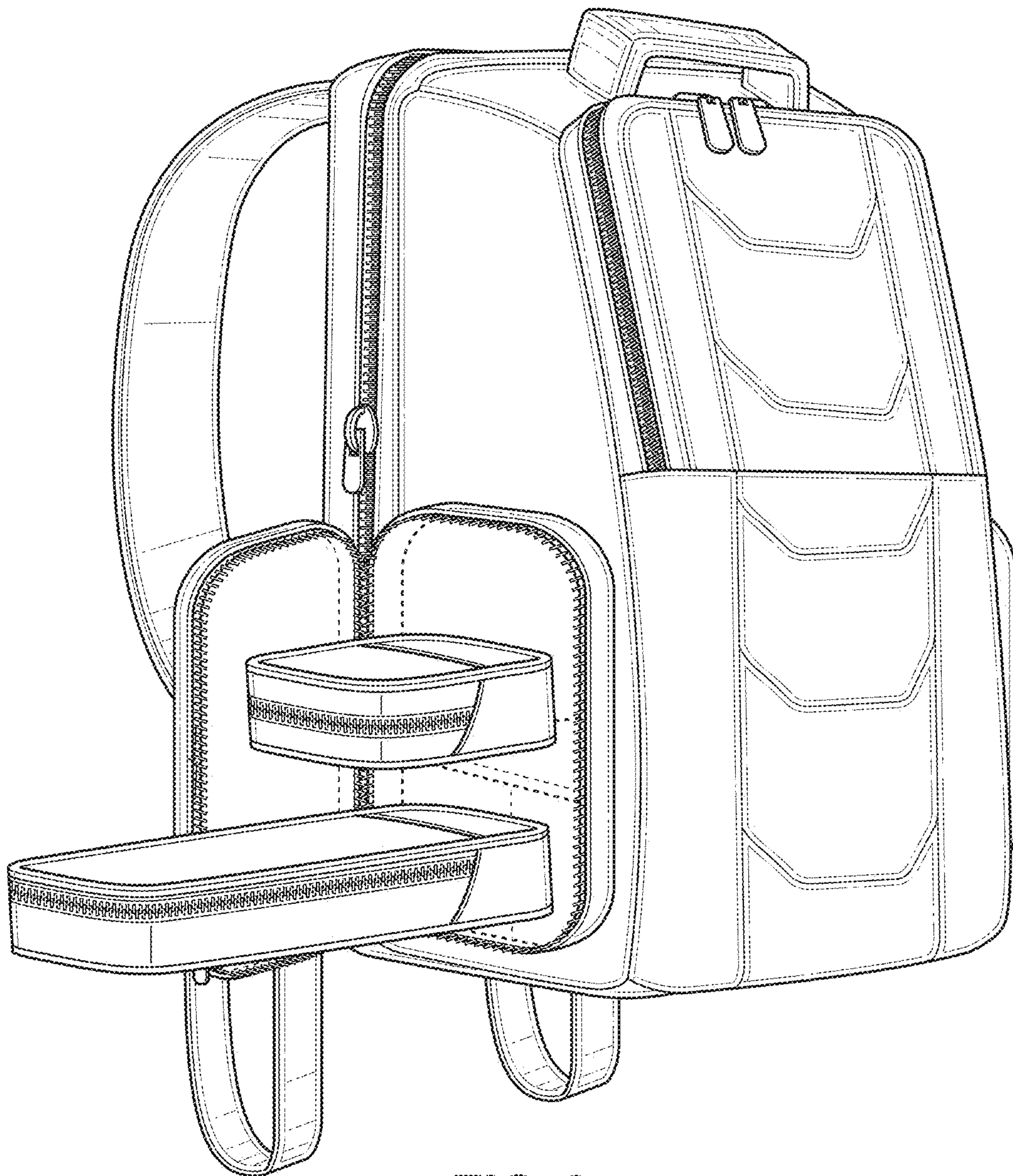


FIG. 9

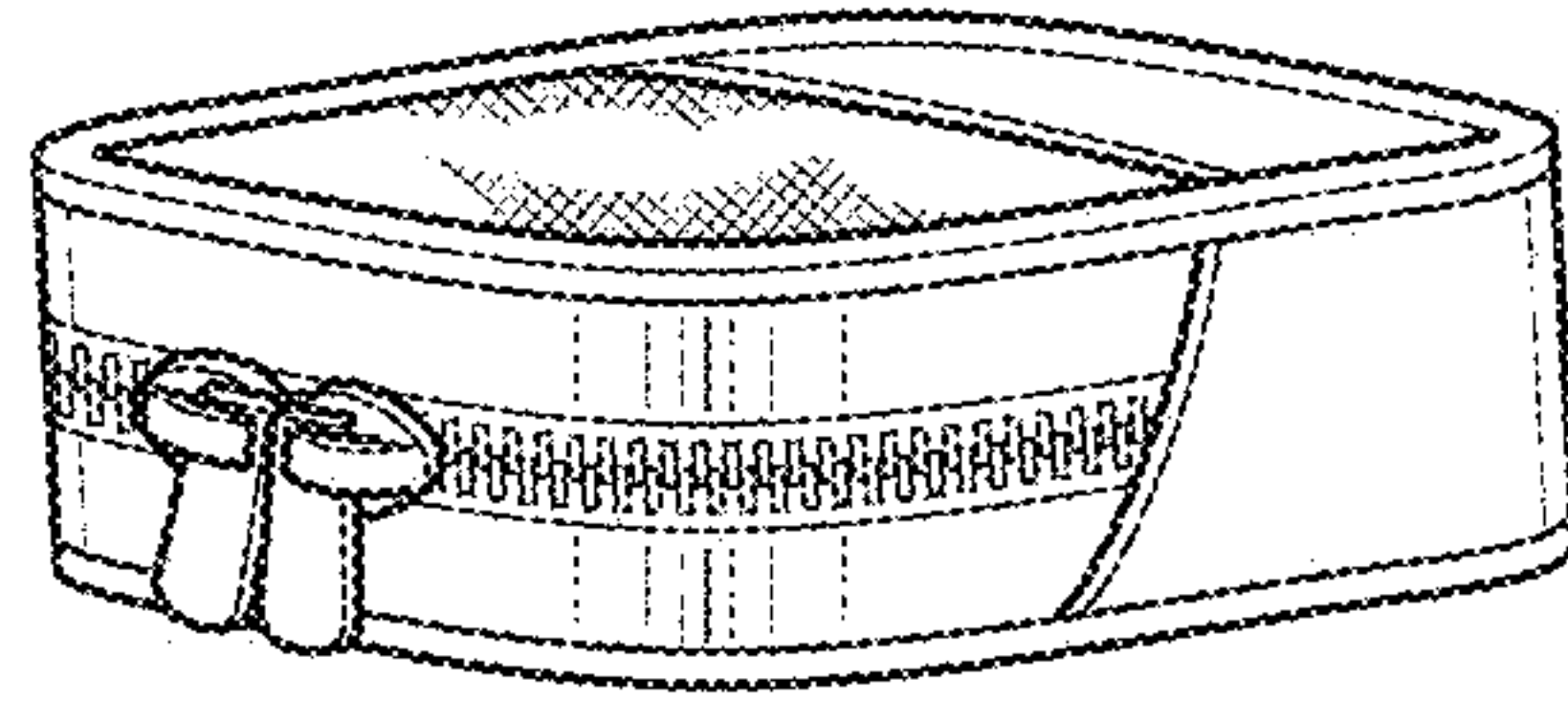


FIG. 10

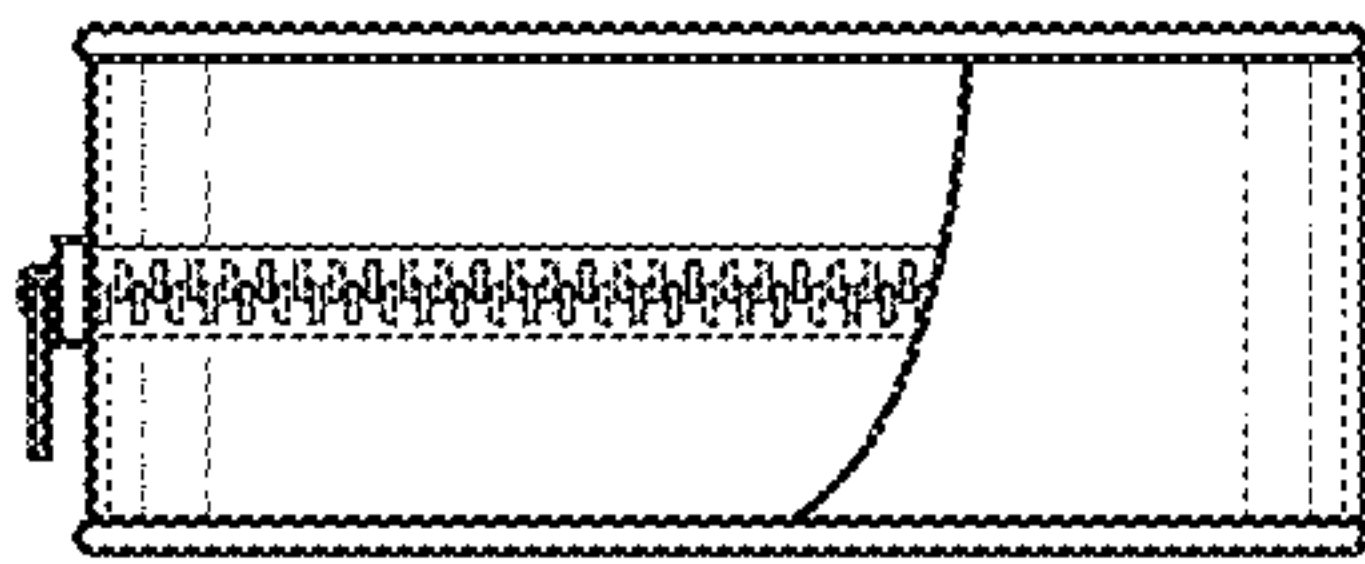


FIG. 11

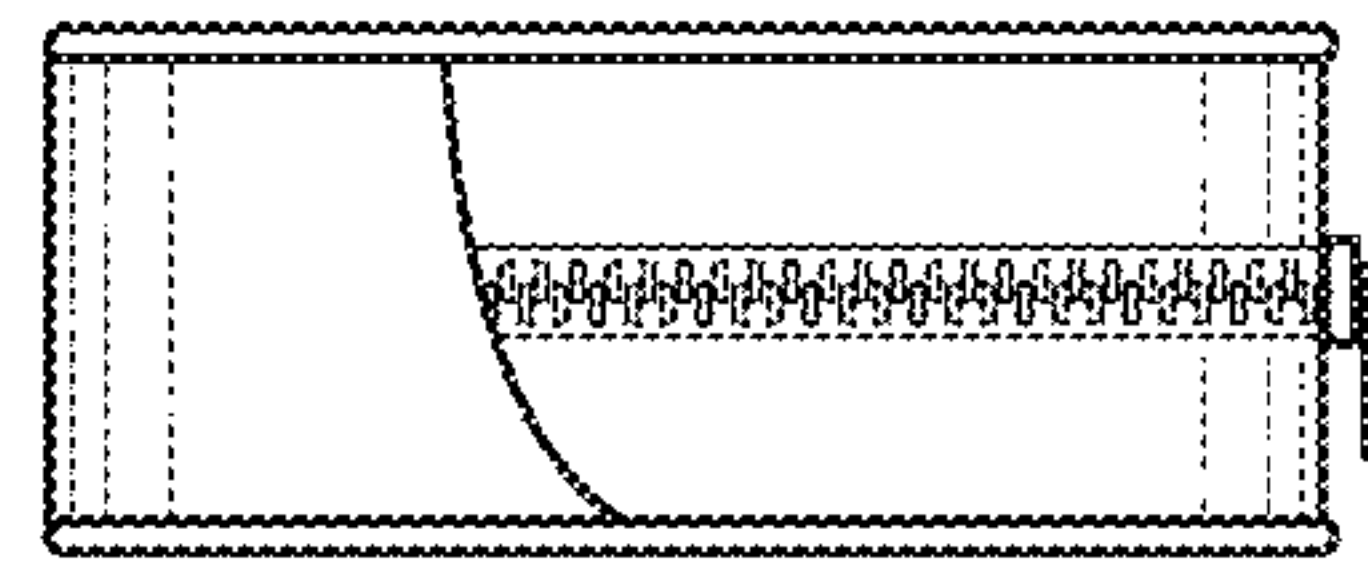


FIG. 12

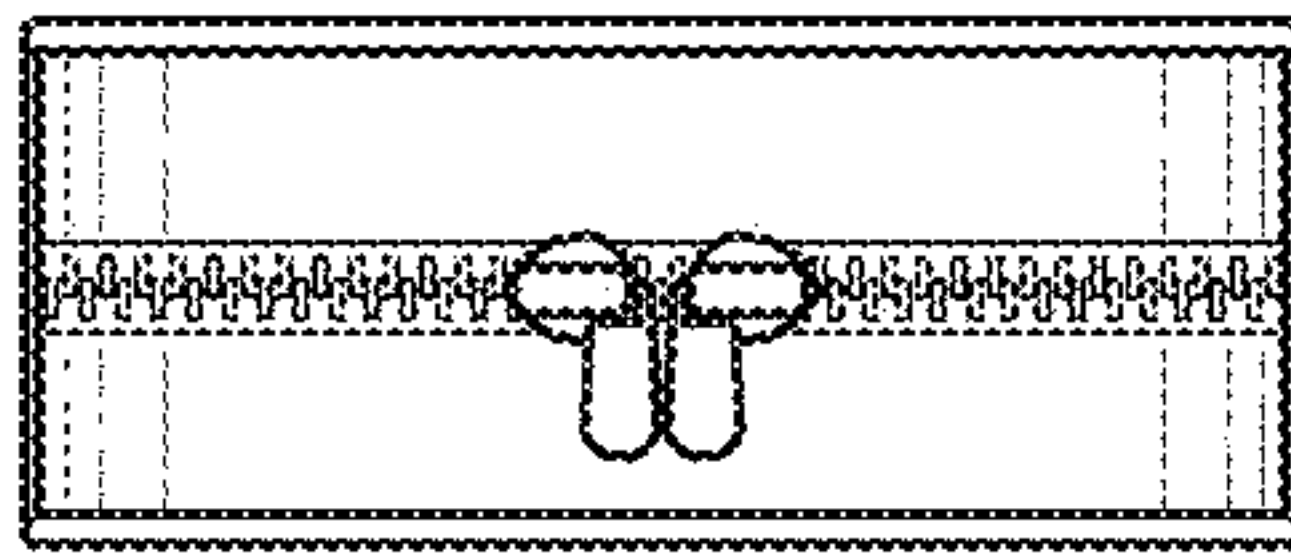


FIG. 13



FIG. 14

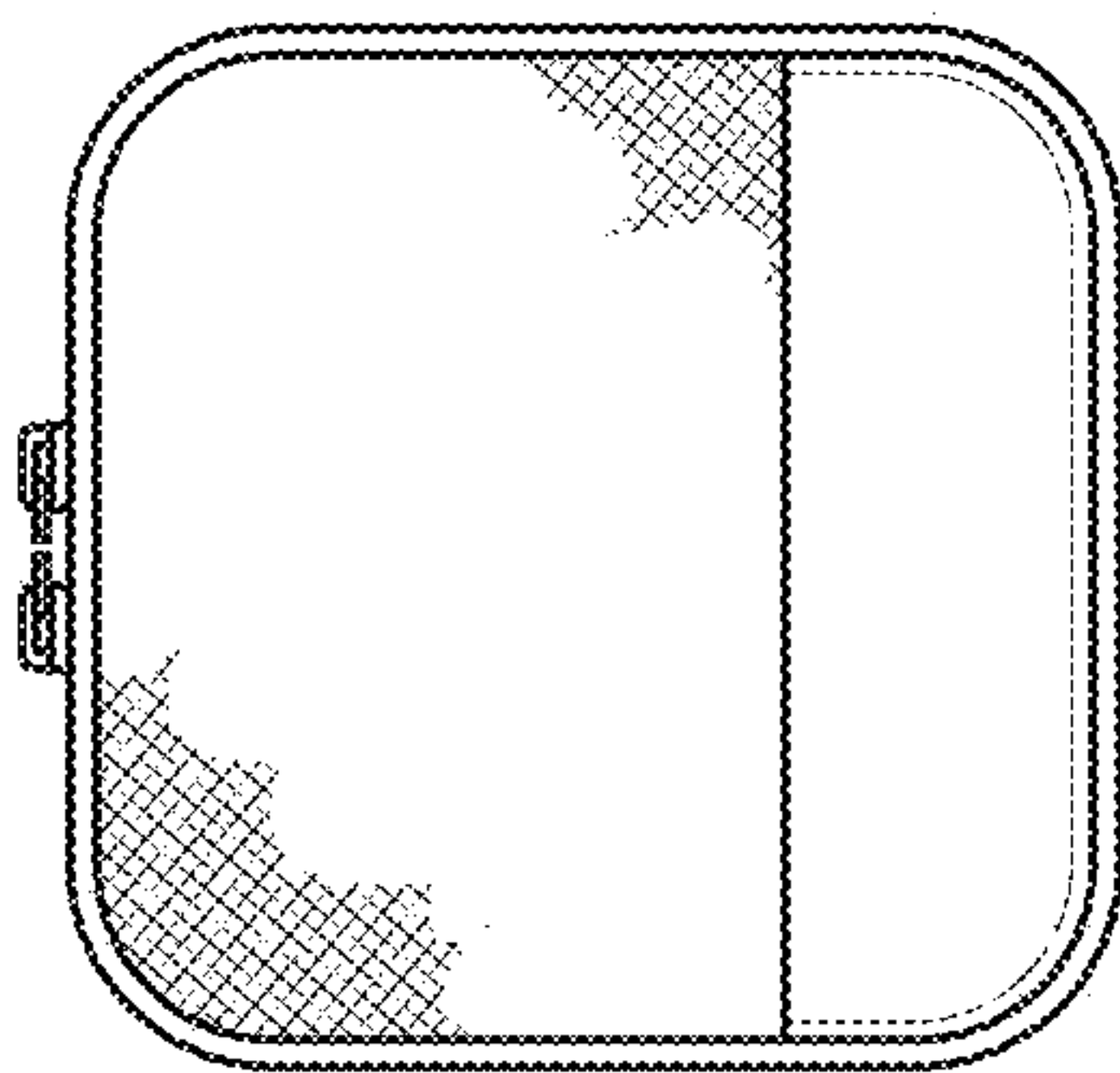


FIG. 15

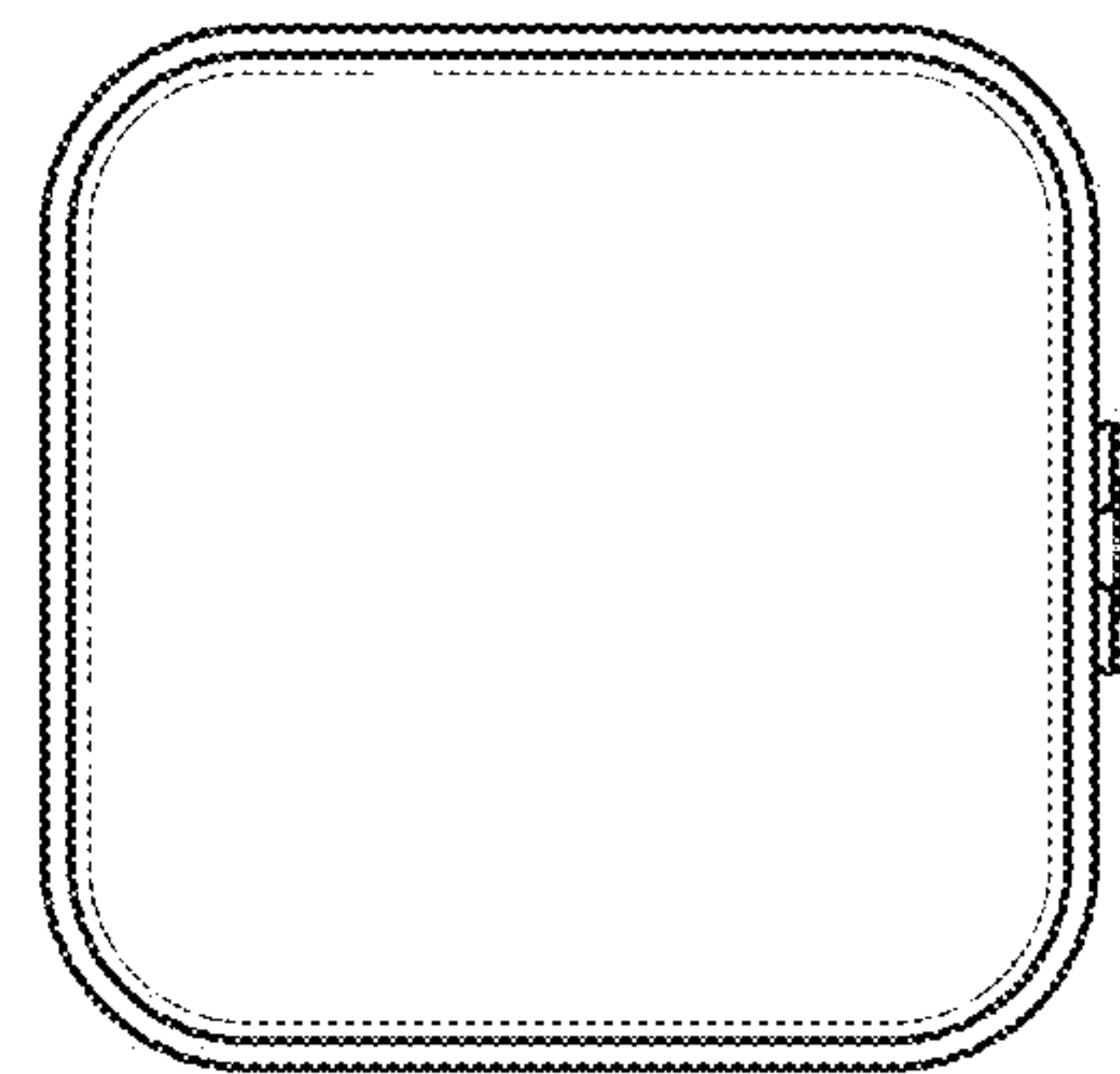


FIG. 16



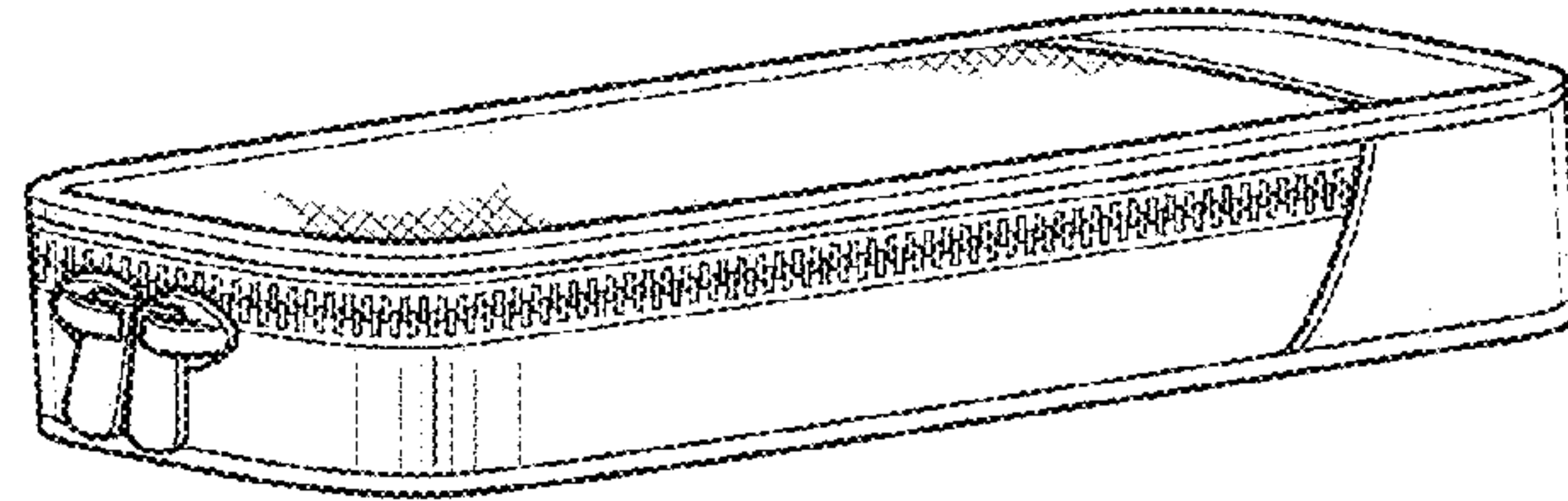


FIG. 17

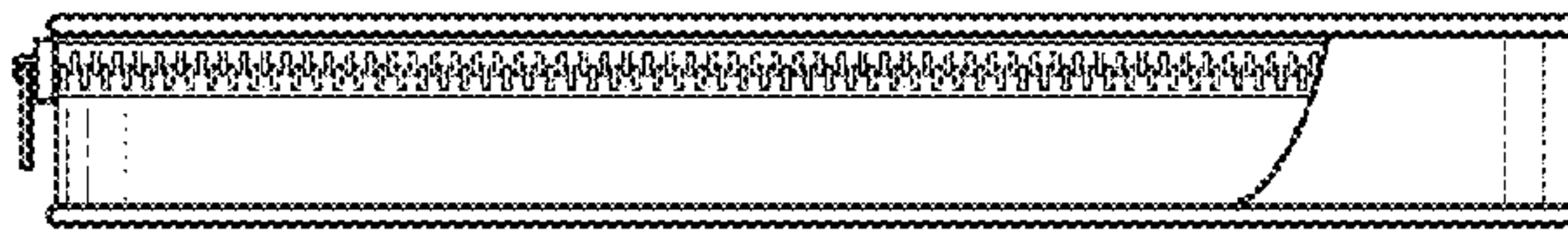


FIG. 18



FIG. 19



FIG. 20



FIG. 21

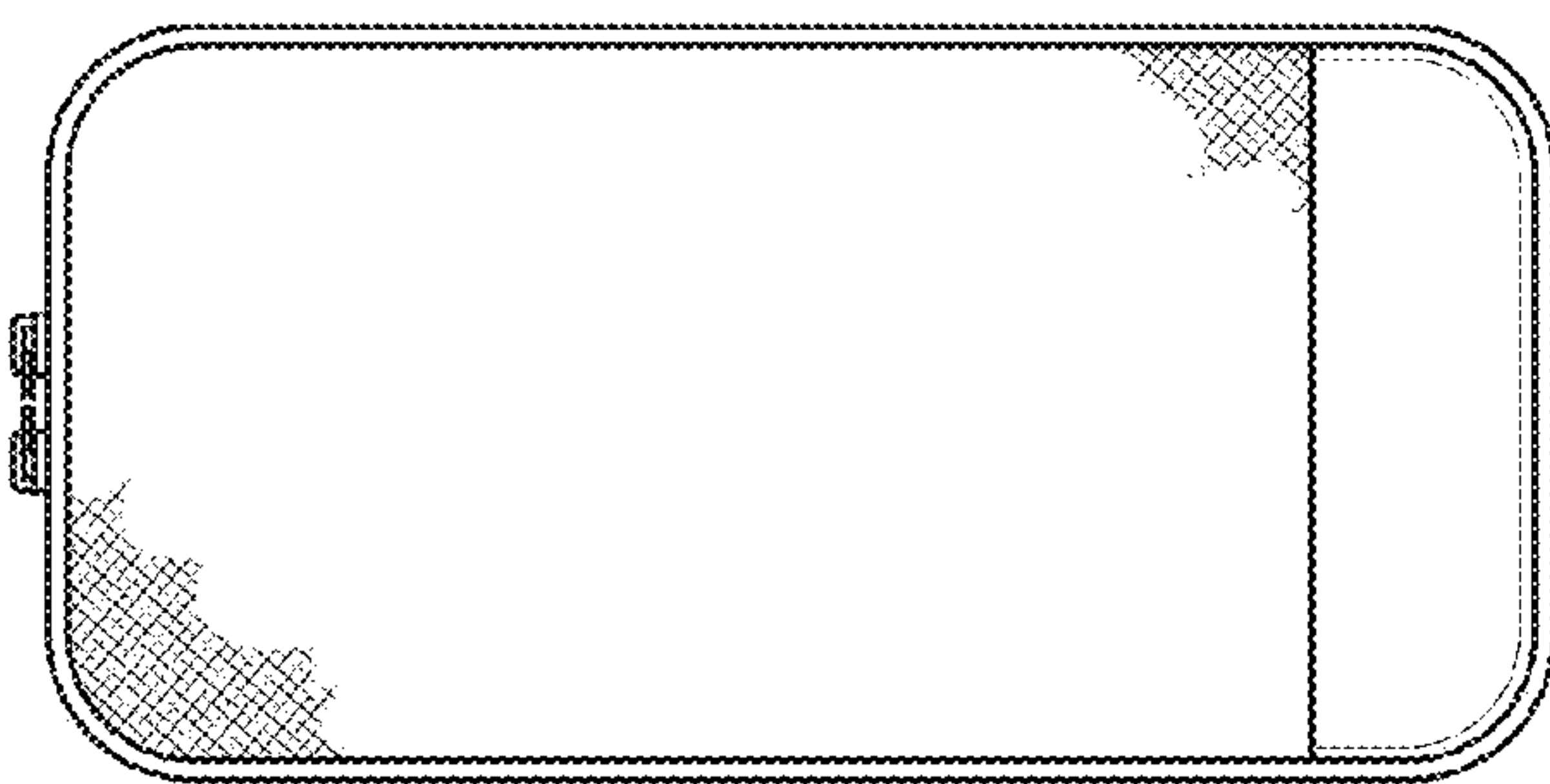


FIG. 22

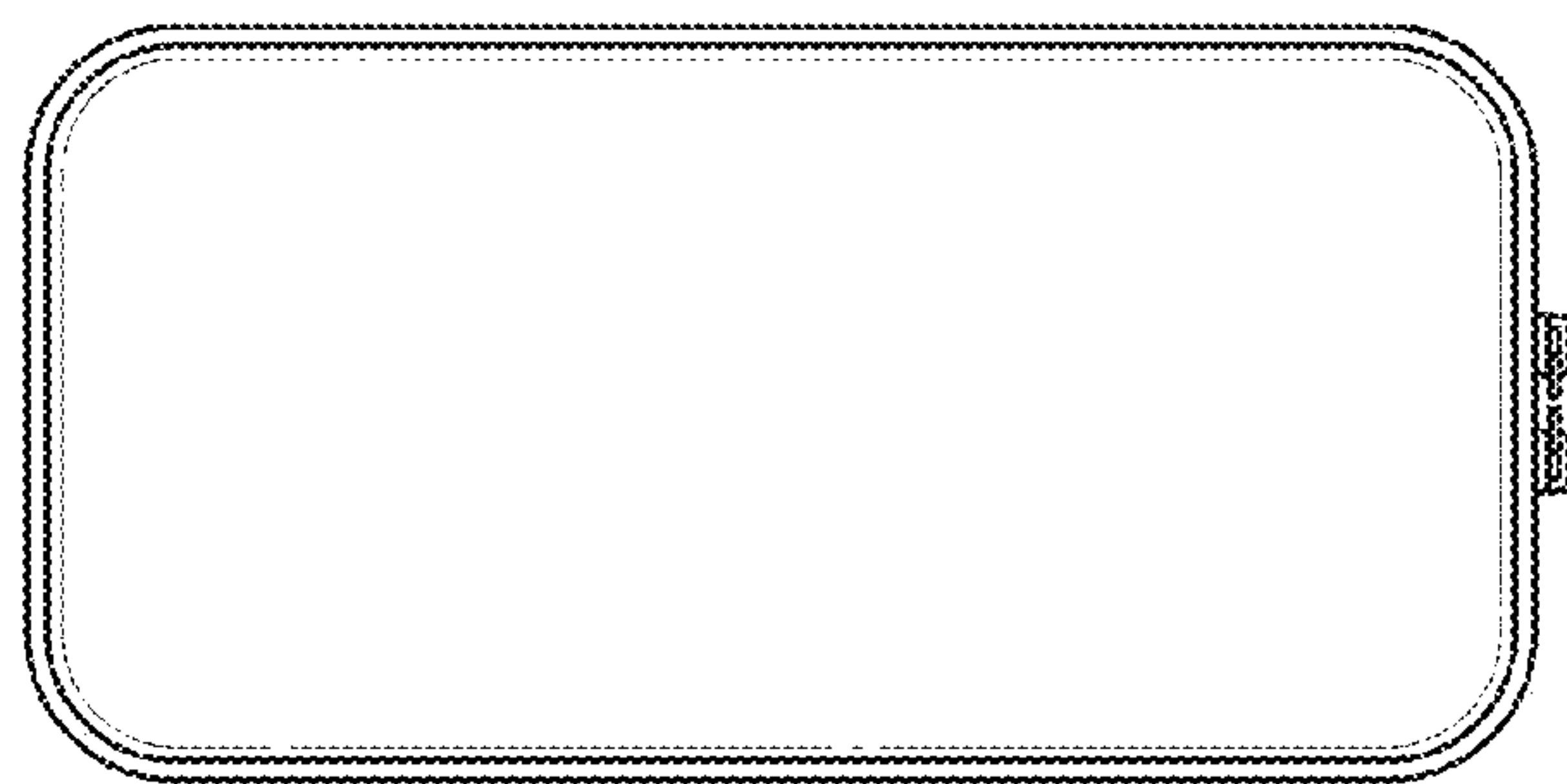


FIG. 23