



US00D891087S

(12) **United States Design Patent**
Morgan

(10) **Patent No.:** **US D891,087 S**

(45) **Date of Patent:** **** Jul. 28, 2020**

(54) **KEYCHAIN**

(71) Applicant: **JM INSTRUCTION, LLC**, Holbrook, MA (US)

(72) Inventor: **Joseph C. Morgan**, Holbrook, MA (US)

(73) Assignee: **JM Instruction, LLC**, Holbrook, MA (US)

(**) Term: **15 Years**

(21) Appl. No.: **29/669,261**

(22) Filed: **Nov. 7, 2018**

(51) **LOC (12) Cl.** **03-01**

(52) **U.S. Cl.**
USPC **D3/207; D8/38**

(58) **Field of Classification Search**
USPC D3/207, 208, 209, 210, 211, 212; D8/33, D8/34, 38
CPC .. A44B 15/00; Y10T 70/8676; Y10T 24/1379
See application file for complete search history.

(56) **References Cited**

U.S. PATENT DOCUMENTS

D116,179 S * 8/1939 Yates, Jr. D8/17
D311,667 S * 10/1990 Cholagh D8/18

9,487,318 B1 * 11/2016 Catlin B25B 27/02
9,557,128 B2 1/2017 Miller, III
D788,871 S * 6/2017 Storch D22/108
D811,511 S * 2/2018 Jenkinson D22/108
D832,970 S * 11/2018 Jen D22/108
D851,196 S * 6/2019 Chester D22/108

* cited by examiner

Primary Examiner — Kevin K Rudzinski

Assistant Examiner — Amber J Rabie

(74) *Attorney, Agent, or Firm* — Rothwell, Figg, Ernst & Manbeck, P.C.

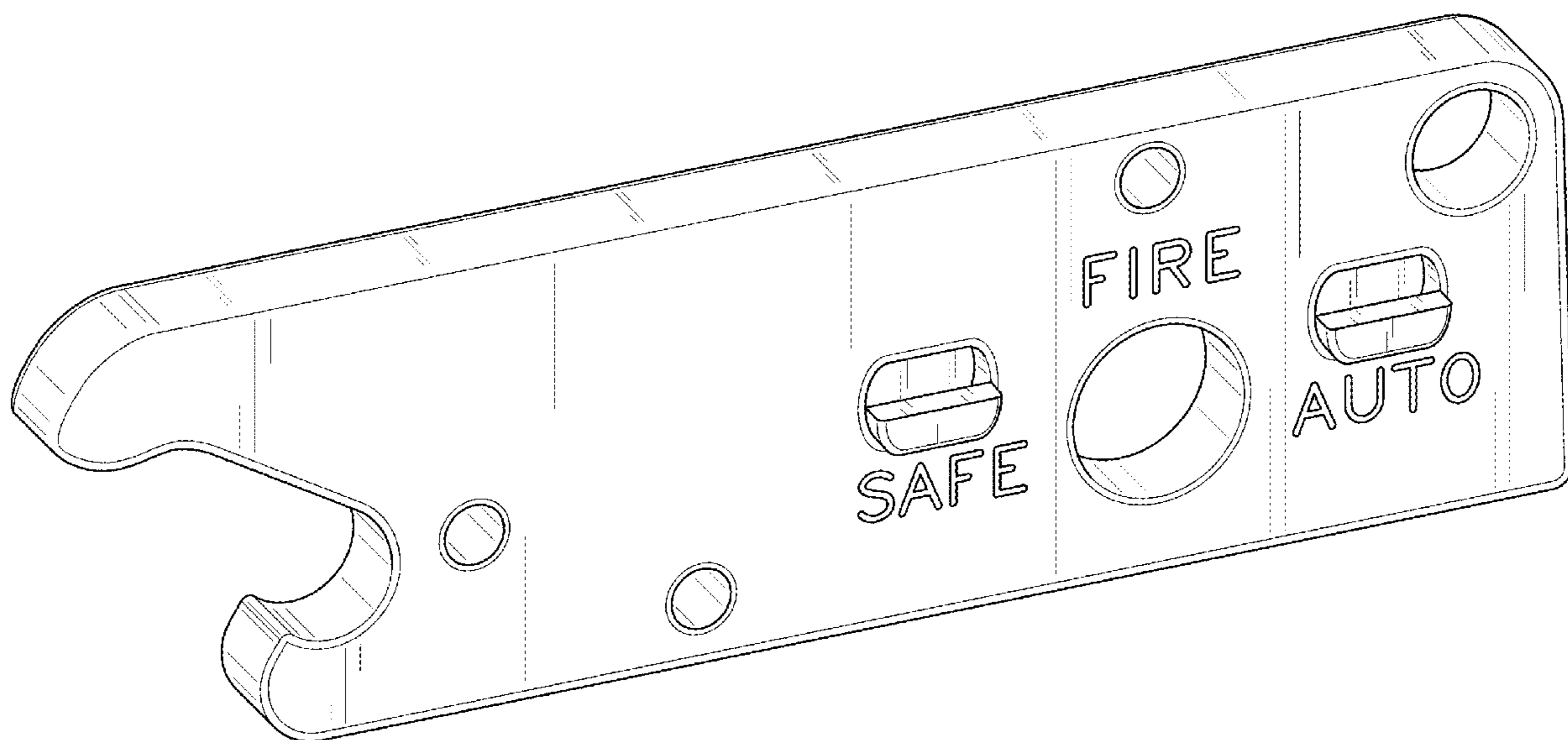
(57) **CLAIM**

The ornamental design for a keychain, as shown and described.

DESCRIPTION

FIG. 1 is a perspective view of a keychain showing my new design;
FIG. 2 is a front view thereof;
FIG. 3 is a back view thereof;
FIG. 4 is a left side view thereof;
FIG. 5 is a right side view thereof;
FIG. 6 is a top view thereof; and,
FIG. 7 is a bottom view thereof.

1 Claim, 7 Drawing Sheets



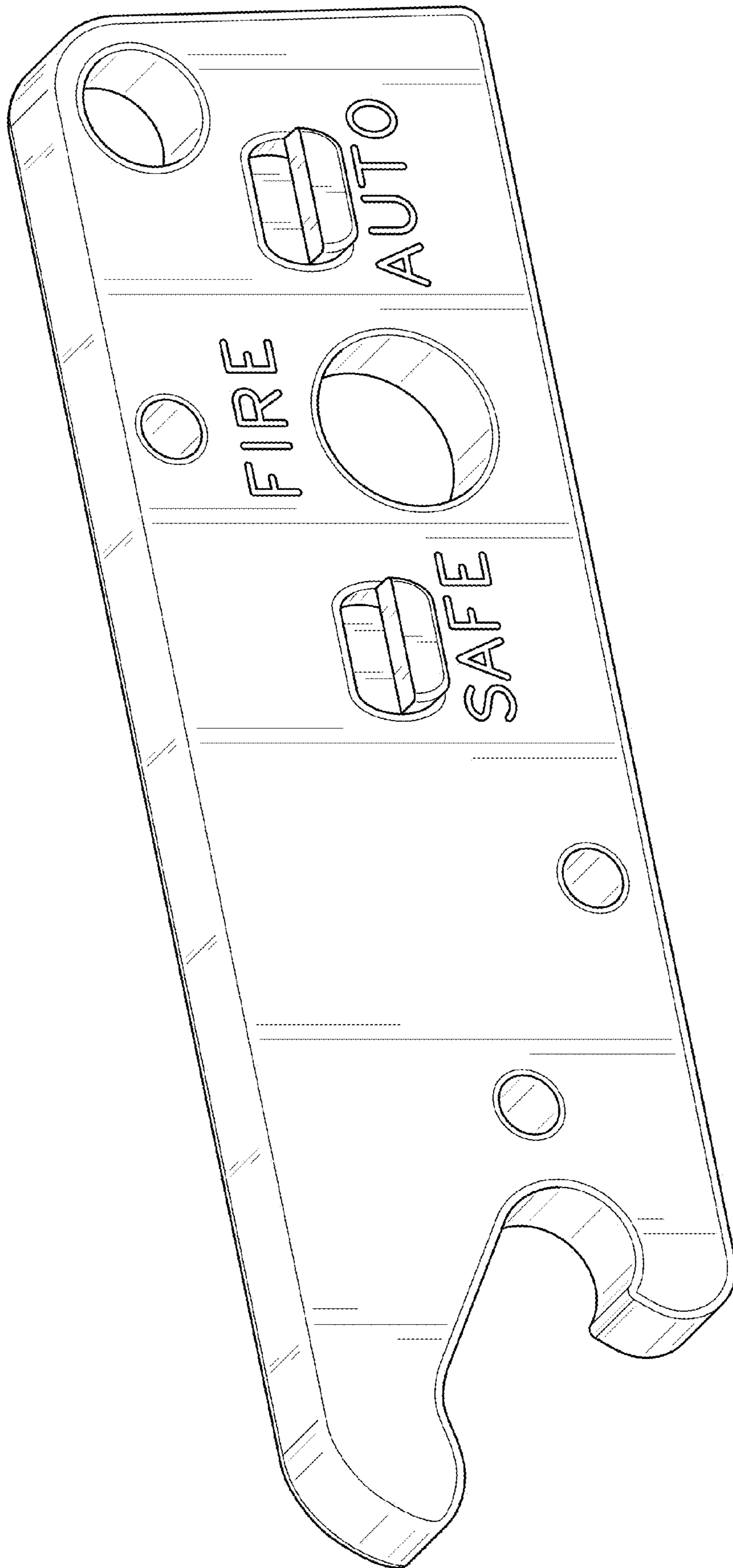


FIG. 1

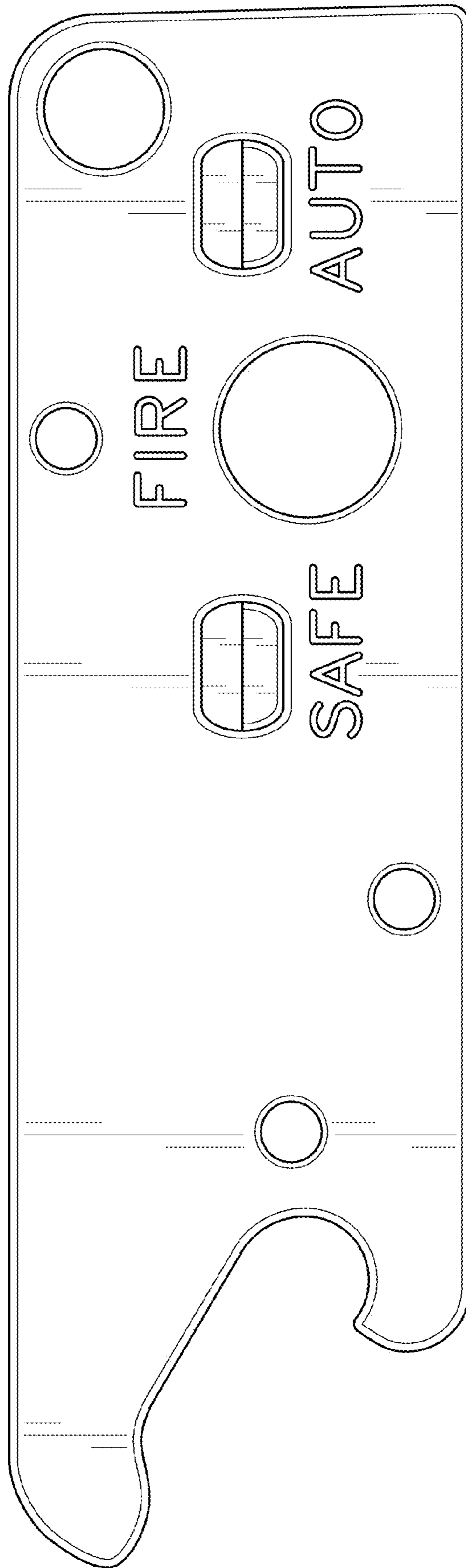


FIG. 2

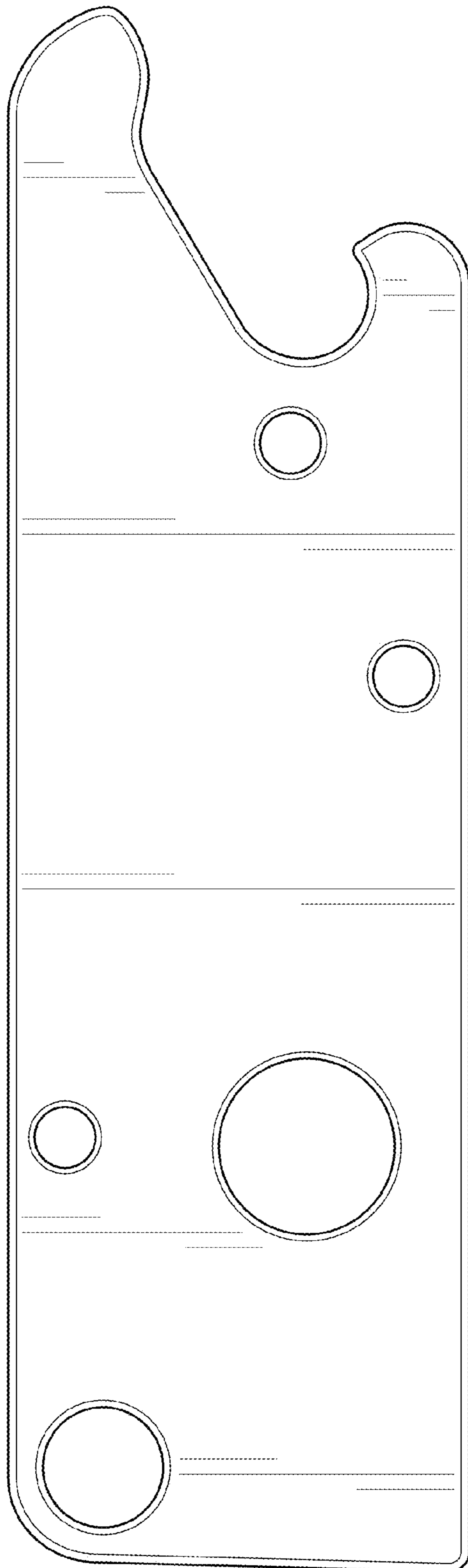


FIG. 3

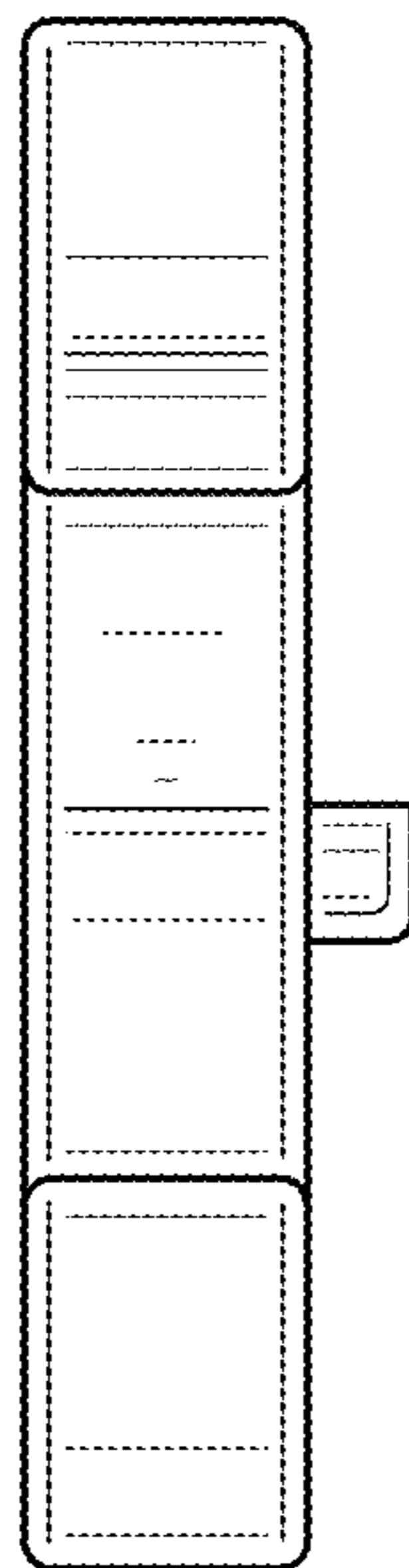


FIG. 4

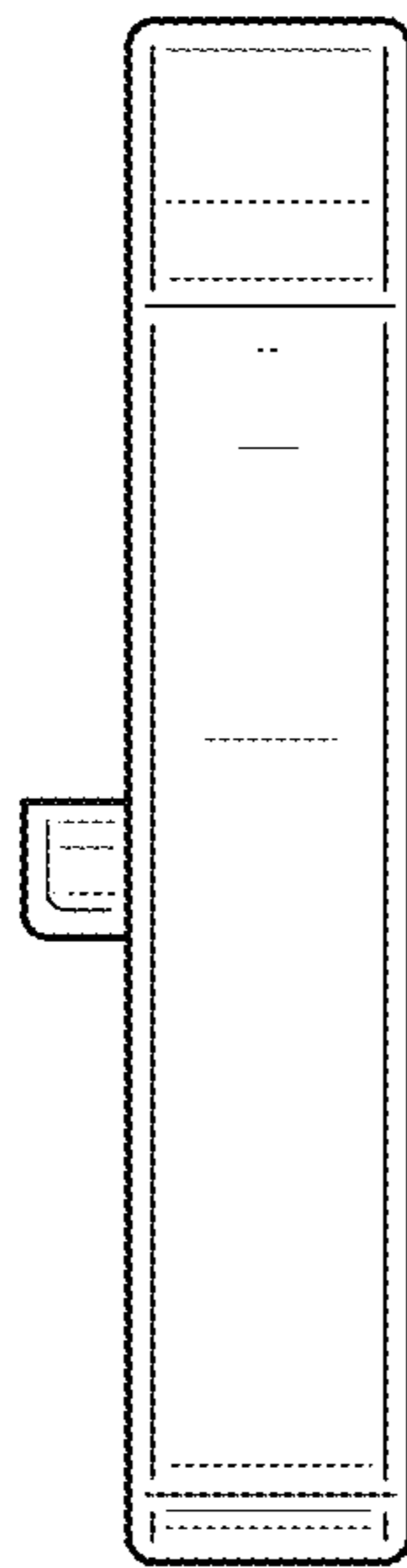


FIG. 5

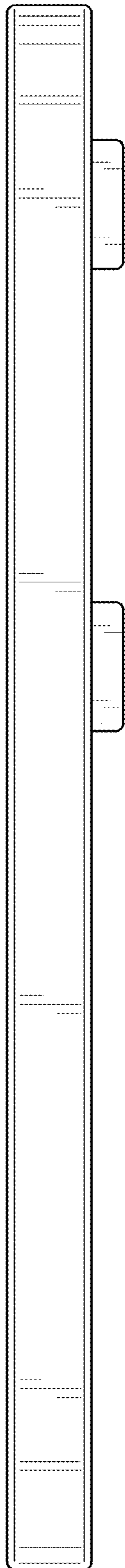


FIG. 6

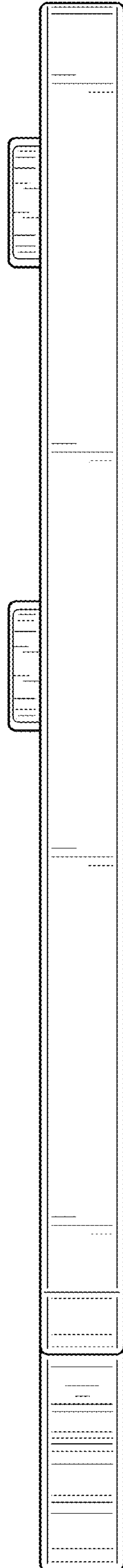


FIG. 7