



US00D891085S

(12) **United States Design Patent**
Martin

(10) **Patent No.:** **US D891,085 S**

(45) **Date of Patent:** **** Jul. 28, 2020**

(54) **BARBER TOOL ORGANIZER**

(71) Applicant: **Todd Allen Martin**, Jamaica Plain, MA
(US)

(72) Inventor: **Todd Allen Martin**, Jamaica Plain, MA
(US)

(**) Term: **15 Years**

(21) Appl. No.: **29/700,857**

(22) Filed: **Aug. 6, 2019**

Related U.S. Application Data

(63) Continuation of application No. 15/401,783, filed on
Jan. 9, 2017, now abandoned.

(51) **LOC (12) Cl.** **03-03**

(52) **U.S. Cl.**
USPC **D3/205; D3/315**

(58) **Field of Classification Search**
USPC D3/205, 315; D28/9
CPC A45C 11/00; A45C 11/008; A45C 11/26;
A45C 2011/007; A45C 9/00; A45D 44/18
See application file for complete search history.

(56) **References Cited**

U.S. PATENT DOCUMENTS

D443,762 S * 6/2001 Park D28/61
7,513,361 B1 * 4/2009 Mills, Jr. A45D 44/00
132/315

D661,083 S * 6/2012 Frierson D3/205
D670,909 S * 11/2012 Price D3/260
8,544,623 B1 * 10/2013 Murphy H02G 11/02
191/12.4
D823,595 S * 7/2018 Yoo D3/205
2008/0289983 A1 * 11/2008 Barnett, Jr. B65D 25/06
206/351

* cited by examiner

Primary Examiner — Charles D Hanson
(74) *Attorney, Agent, or Firm* — Dunlap, Bennett &
Ludwig PLLC; Brendan E. Squire

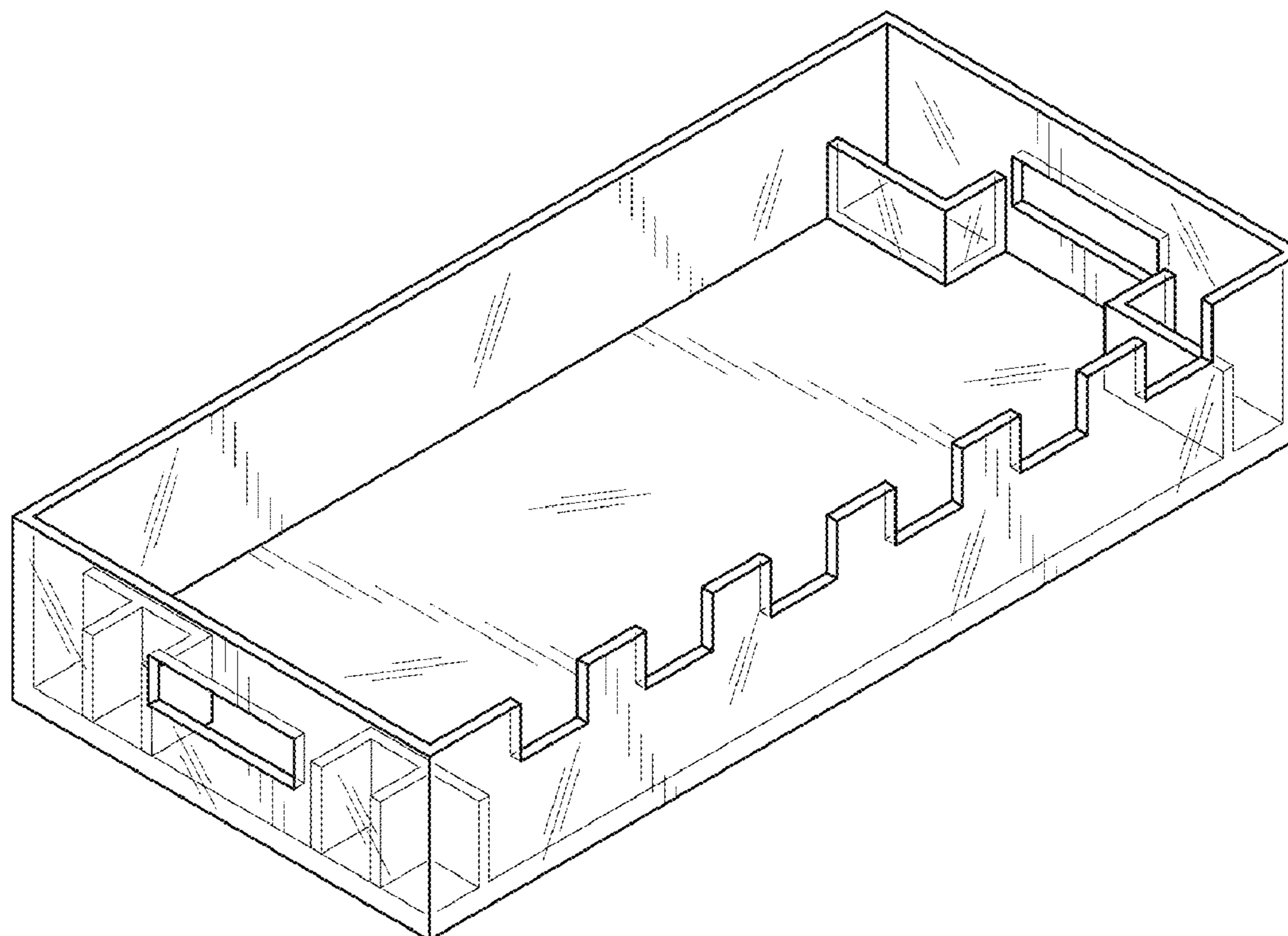
(57) **CLAIM**

The ornamental design for a barber tool organizer, as shown
and described.

DESCRIPTION

FIG. 1 is a top front left perspective view of the barber tool
organizer showing my new design;
FIG. 2 is a top front right perspective view thereof;
FIG. 3 is a front elevation view thereof;
FIG. 4 is a rear elevation view thereof;
FIG. 5 is a right elevation view thereof;
FIG. 6 is a left elevation view thereof;
FIG. 7 is a top plan view thereof;
FIG. 8 is a bottom plan view thereof; and,
FIG. 9 is a top front perspective view thereof, shown in use.
The broken lines in FIG. 9 showing the barber tool organizer
in use illustrates environment and forms no part of the claim.

1 Claim, 4 Drawing Sheets



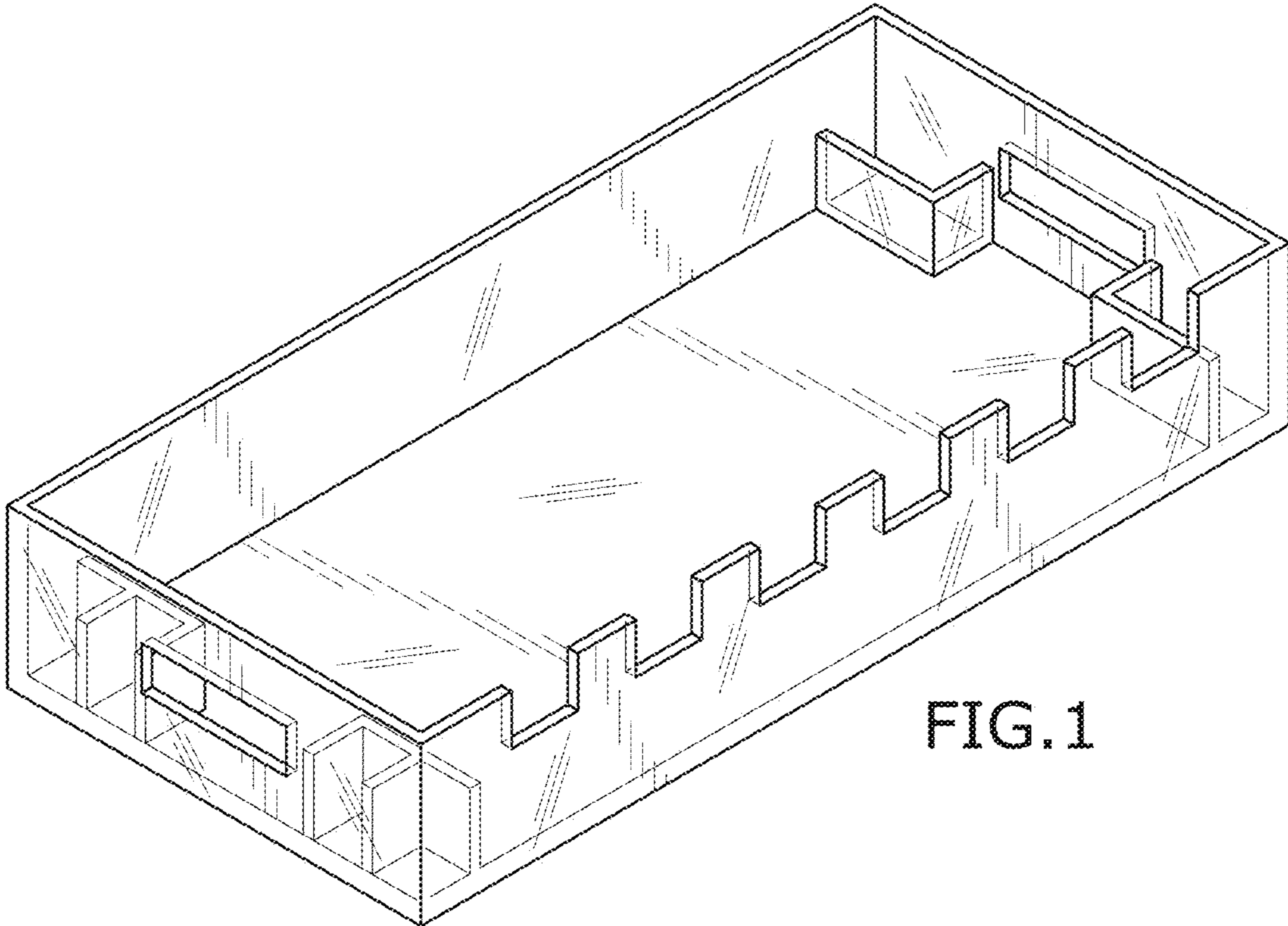


FIG. 1

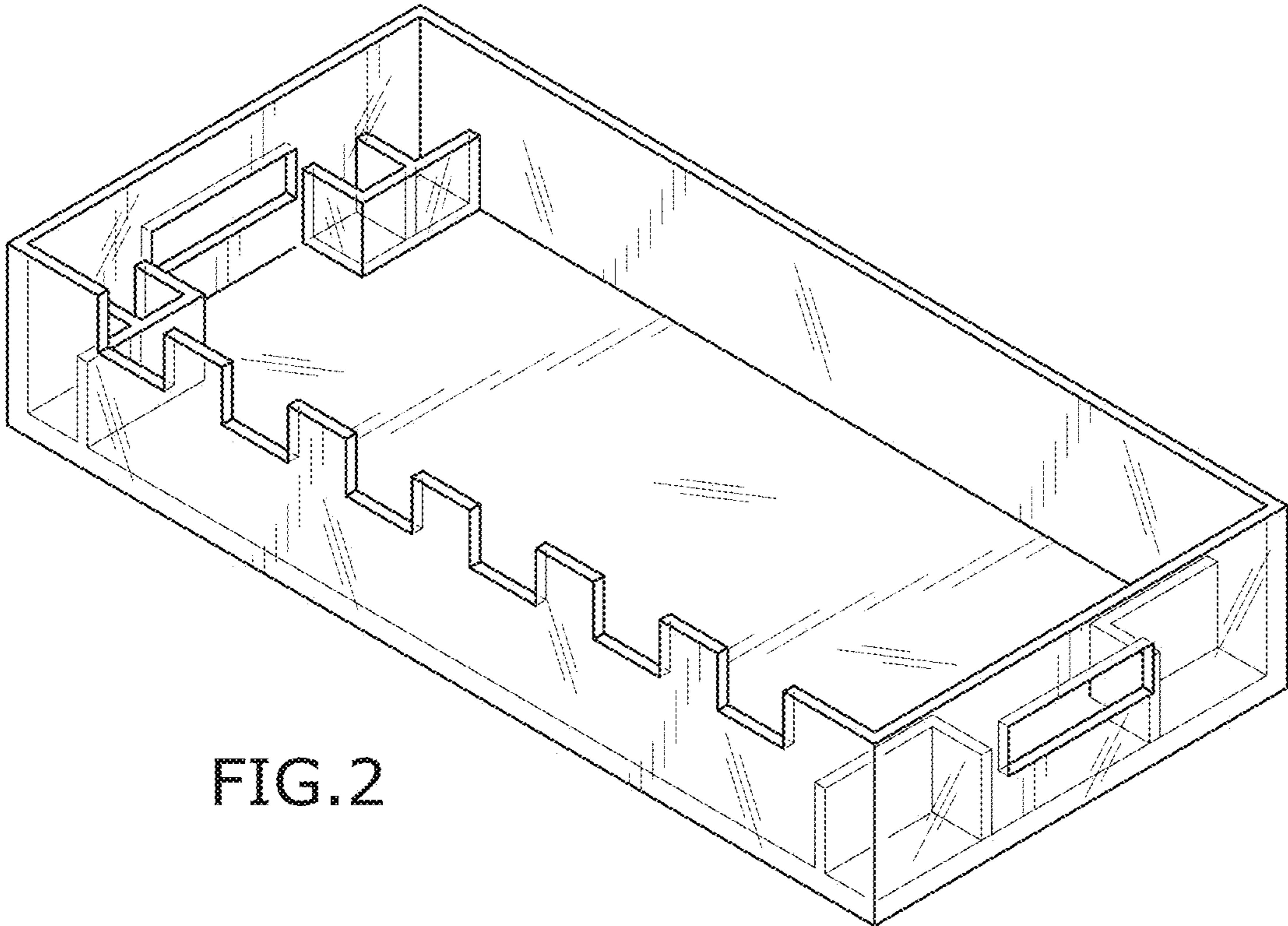


FIG. 2

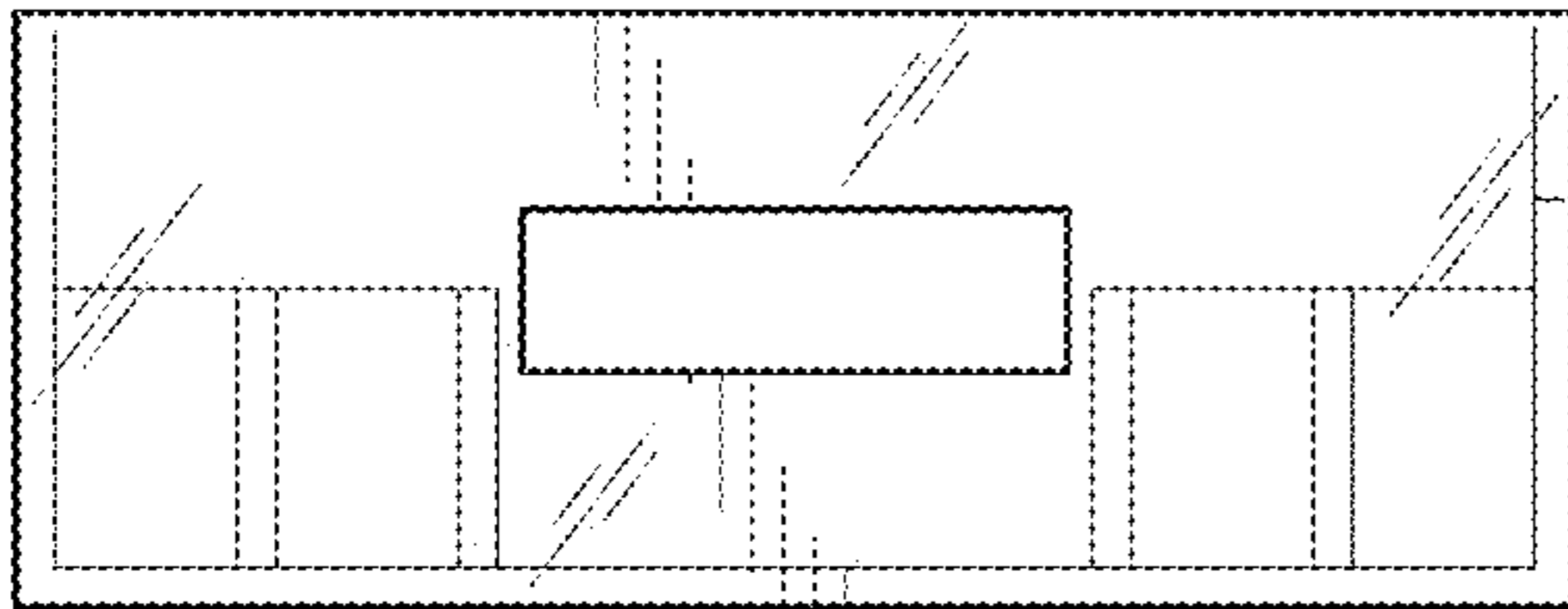


FIG. 3

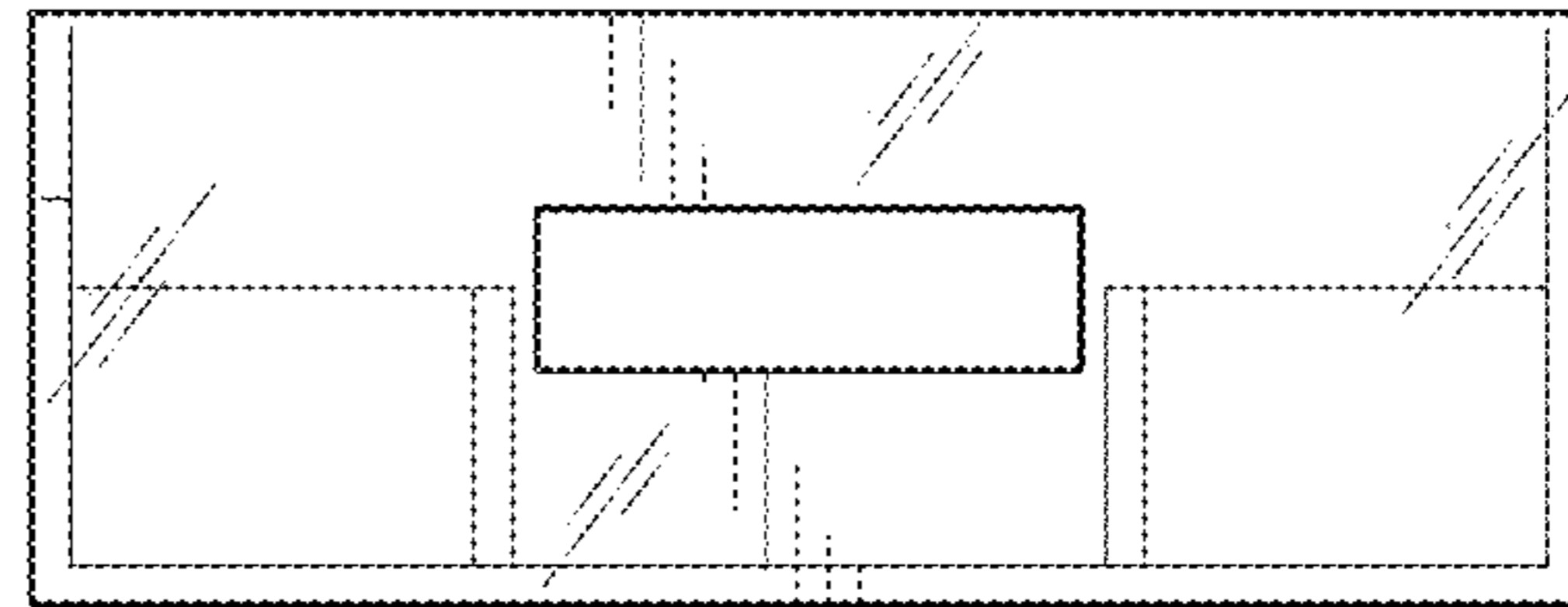


FIG. 4

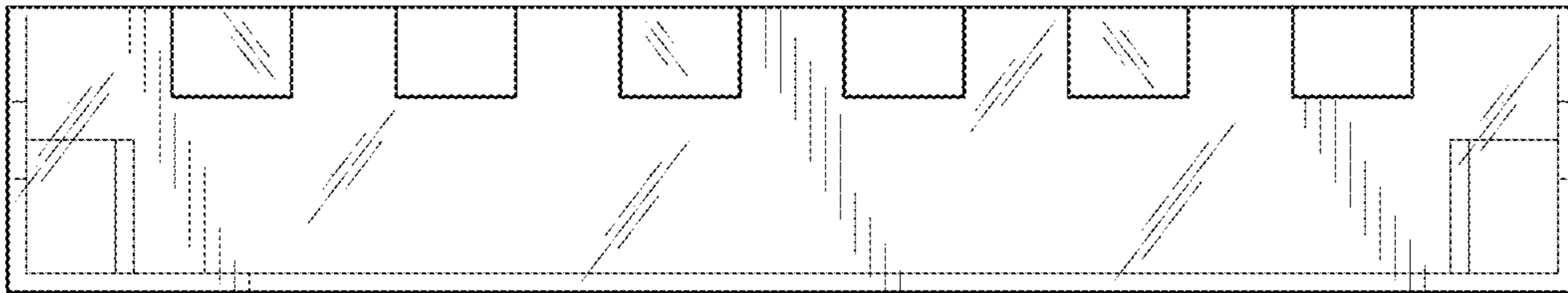


FIG. 5

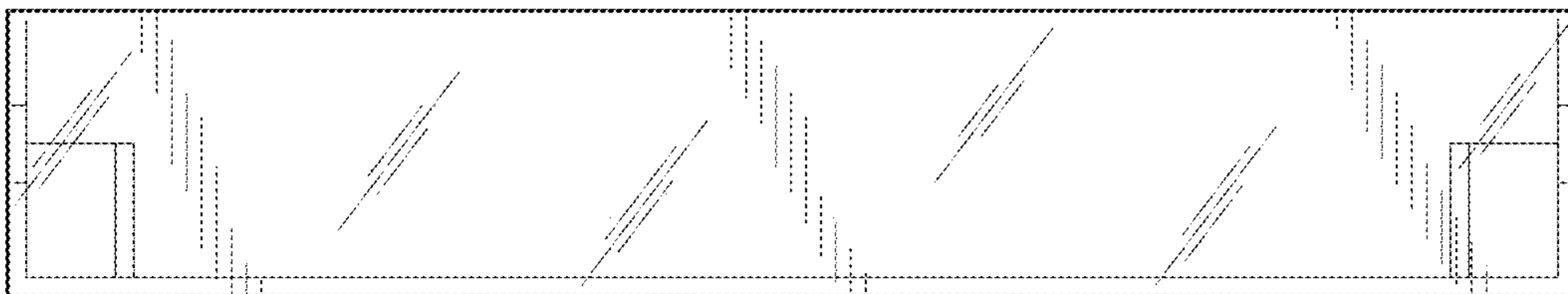


FIG. 6

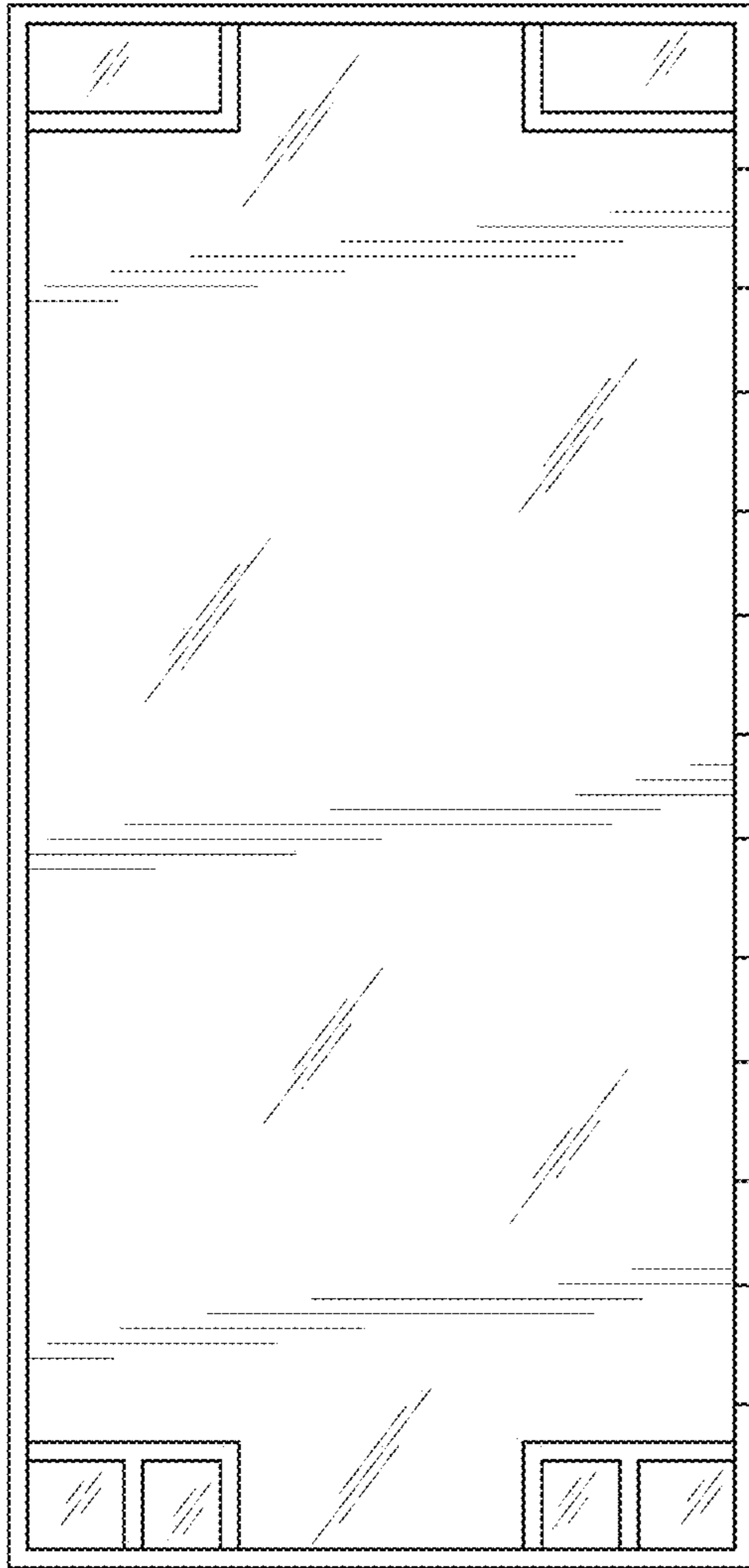


FIG. 7

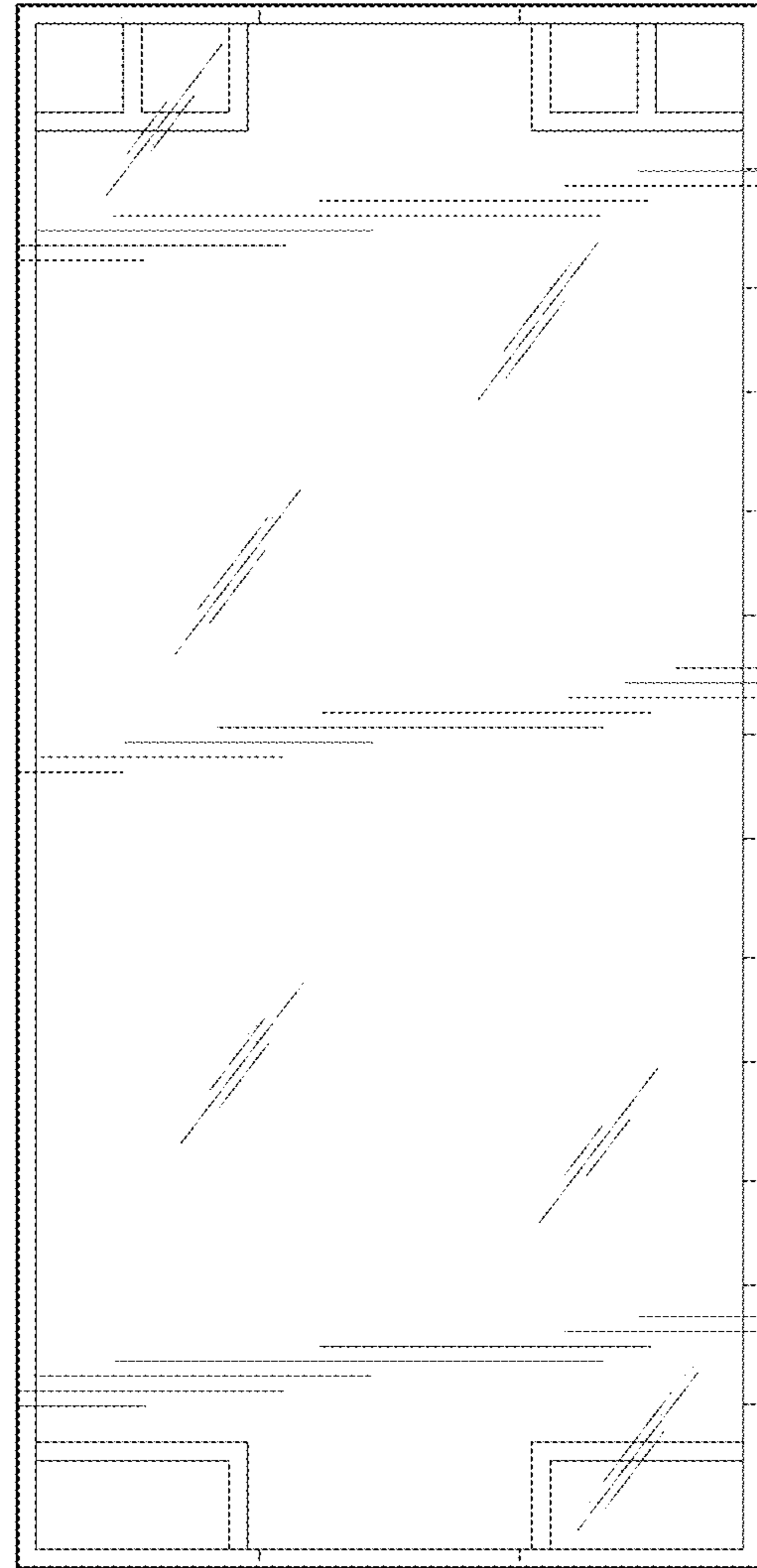


FIG. 8

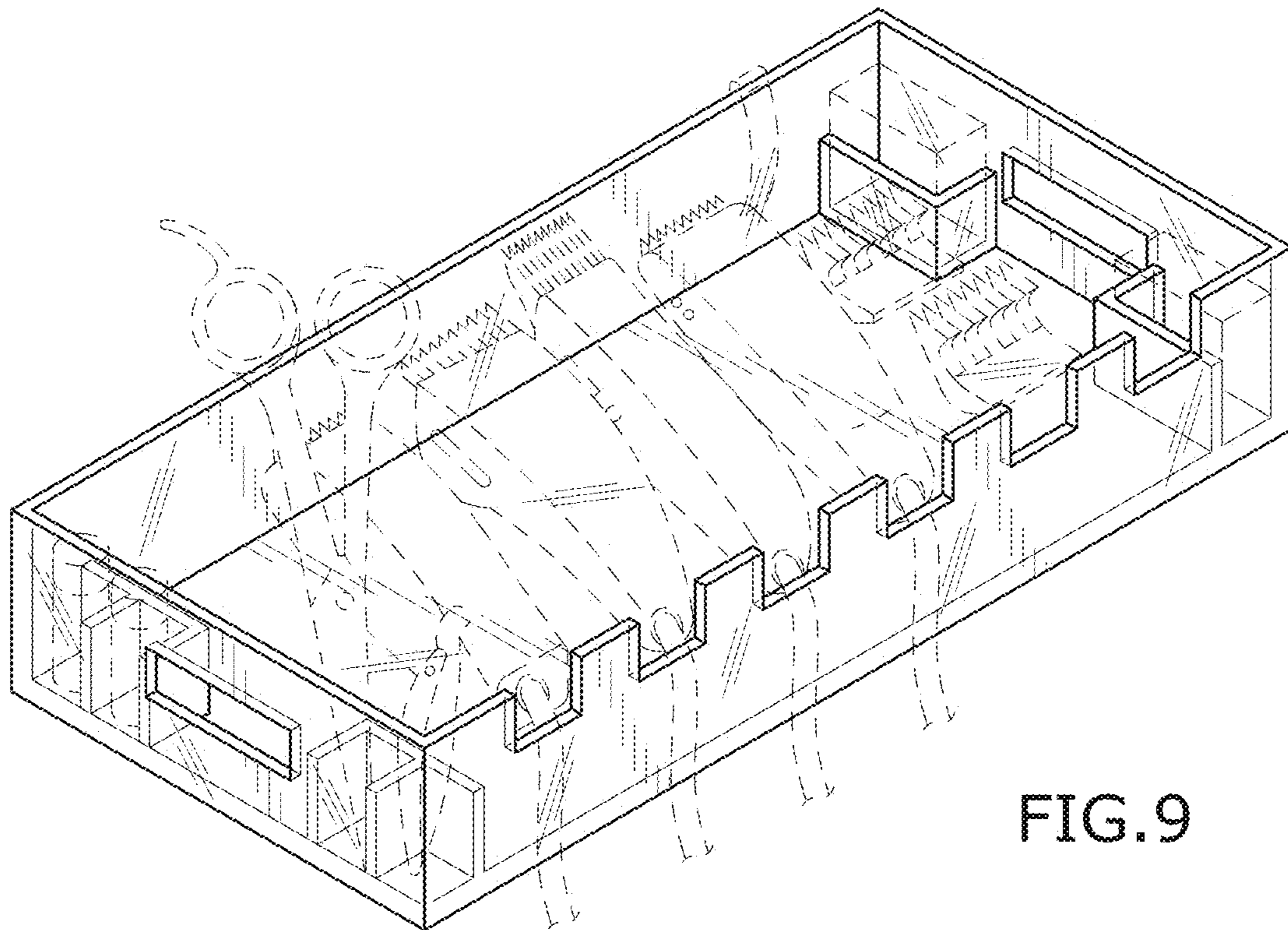


FIG. 9