



US00D891084S

(12) **United States Design Patent** (10) **Patent No.:** **US D891,084 S**
Mann et al. (45) **Date of Patent:** **** Jul. 28, 2020**

(54) **MOUTHPIECE RETAINER CASE**
(71) Applicant: **Helius Medical, Inc**, Newtown, PA (US)
(72) Inventors: **Richard Mann**, Cambridge (GB); **Paul James Fearis**, Holly Springs, NC (US)
(73) Assignee: **Helius Medical, Inc**, Newtown, PA (US)
(**) Term: **15 Years**
(21) Appl. No.: **29/681,984**
(22) Filed: **Feb. 28, 2019**
(51) **LOC (12) Cl.** **03-03**
(52) **U.S. Cl.**
USPC **D3/205**
(58) **Field of Classification Search**
USPC D3/205, 206
CPC A61B 19/02; A61C 7/08; G08B 21/00
See application file for complete search history.

(56) **References Cited**
U.S. PATENT DOCUMENTS
D315,954 S * 4/1991 Berland D24/176
D457,638 S * 5/2002 Alstad D24/176
D480,864 S * 10/2003 Sayers D3/203.1
6,824,006 B2 * 11/2004 Lambelet, Jr. B65D 43/164
16/361
9,351,808 B2 * 5/2016 McCarthy A61C 7/08
9,980,799 B2 * 5/2018 Wilson A63B 71/085
D865,180 S * 10/2019 Bauer D24/176
2004/0244805 A1 * 12/2004 Cook B65D 43/164
128/859

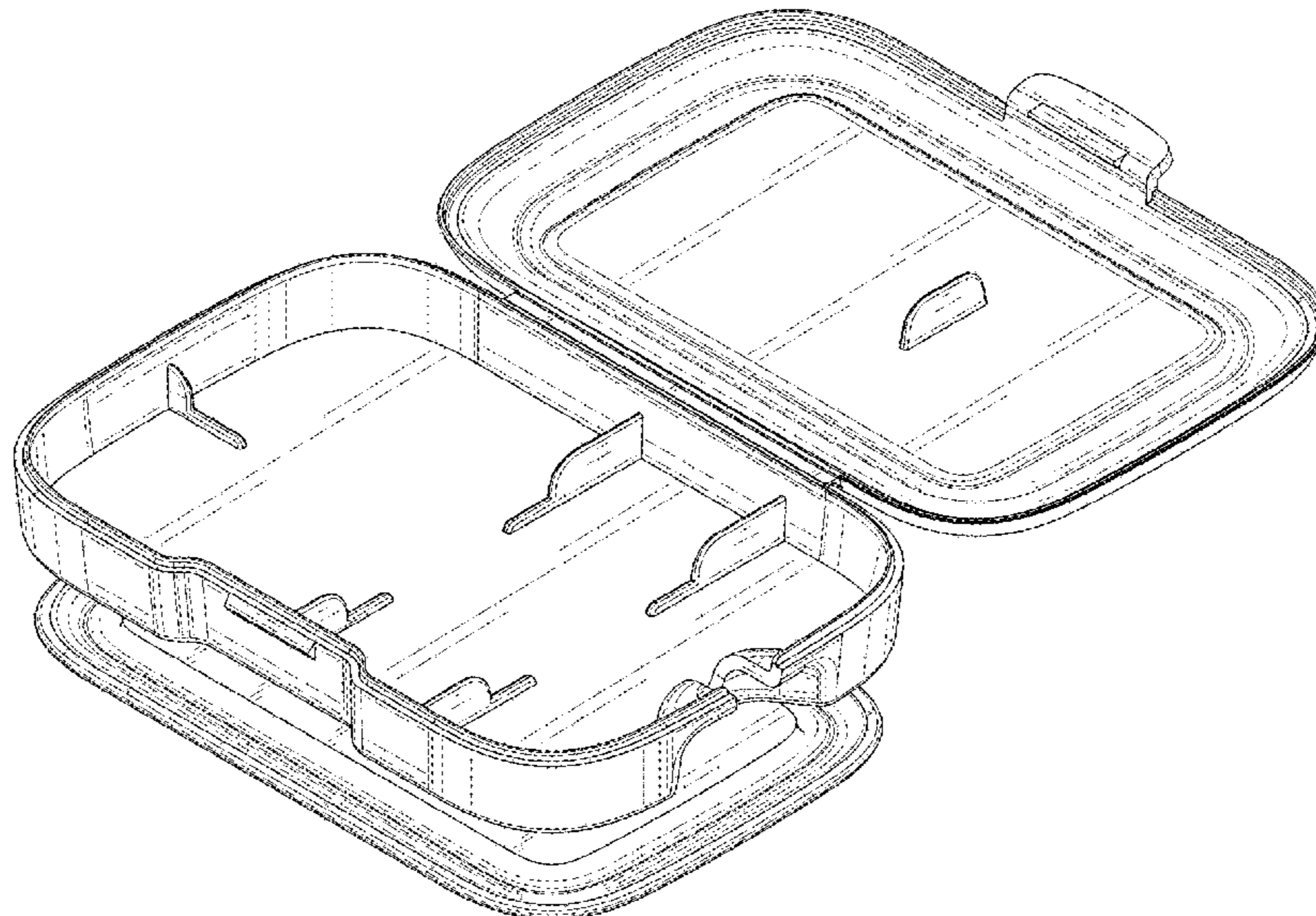
(Continued)

Primary Examiner — Charles D Hanson
(74) Attorney, Agent, or Firm — Proskauer Rose LLP

(57) **CLAIM**
The ornamental design for a mouthpiece retainer case, as shown and described.

DESCRIPTION
FIG. 1 is a front perspective view of a mouthpiece retainer case in an open position, showing our new design;
FIG. 2 is a front view thereof;
FIG. 3 is a rear view thereof;
FIG. 4 is a left side view thereof;
FIG. 5 is right side view thereof;
FIG. 6 is a top view thereof;
FIG. 7 is a bottom view thereof;
FIG. 8 is front perspective view of the mouthpiece retainer case in a closed position;
FIG. 9 is a front view thereof;
FIG. 10 is a rear view thereof;
FIG. 11 is a left side view thereof;
FIG. 12 is right side view thereof;
FIG. 13 is a top view thereof;
FIG. 14 is a bottom view thereof;
FIG. 15 is a front perspective view of a mouthpiece retainer case in an open position, showing our new design;
FIG. 16 is a front view thereof;
FIG. 17 is a rear view thereof;
FIG. 18 is a left side view thereof;
FIG. 19 is right side view thereof;
FIG. 20 is a top view thereof;
FIG. 21 is a bottom view thereof;
FIG. 22 is front perspective view of the mouthpiece retainer case in a closed position;
FIG. 23 is a front view thereof;
FIG. 24 is a rear view thereof;
FIG. 25 is a left side view thereof;
FIG. 26 is right side view thereof;
FIG. 27 is a top view thereof; and,
FIG. 28 is a bottom view thereof.
The broken lines shown in the drawings represent unclaimed portions of the mouthpiece retainer case and form no part of the claimed design.

1 Claim, 28 Drawing Sheets



(56)

References Cited

U.S. PATENT DOCUMENTS

2008/0283422 A1 * 11/2008 Jansheski B65D 43/164
206/63.5

* cited by examiner

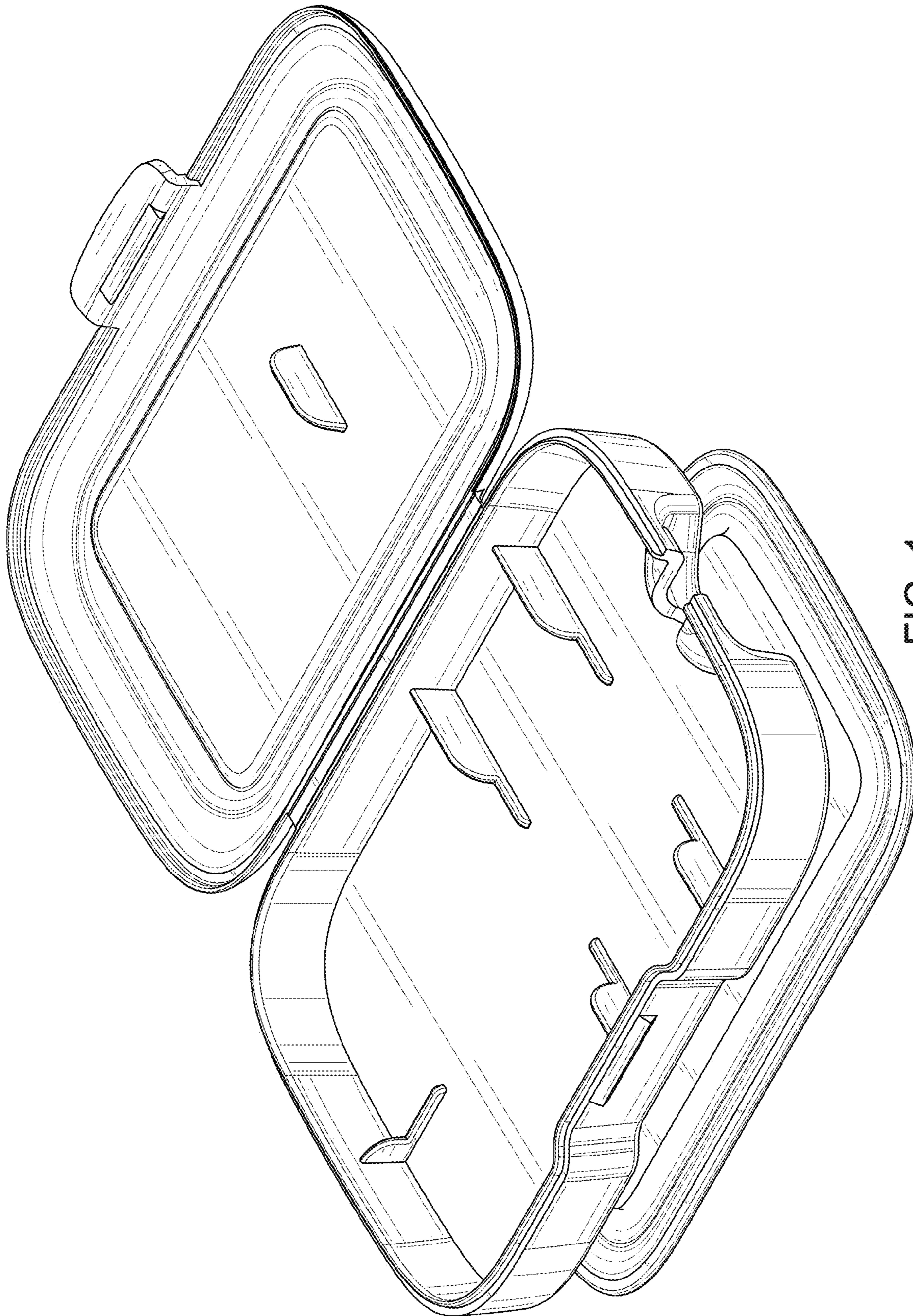


FIG. 1

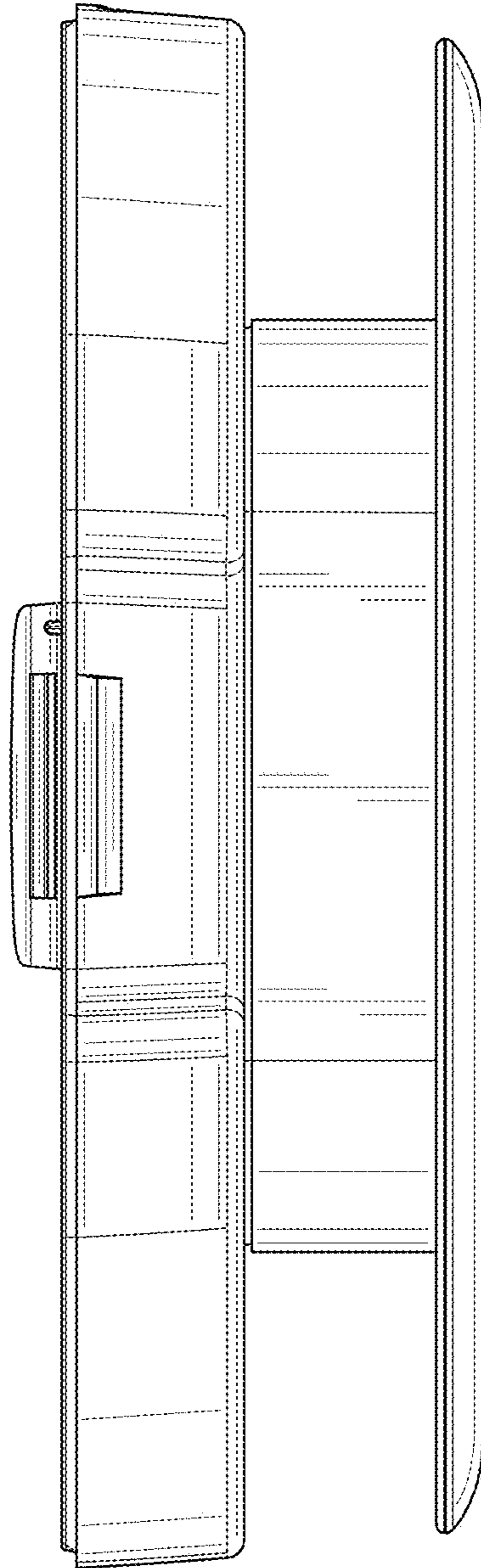


FIG. 2

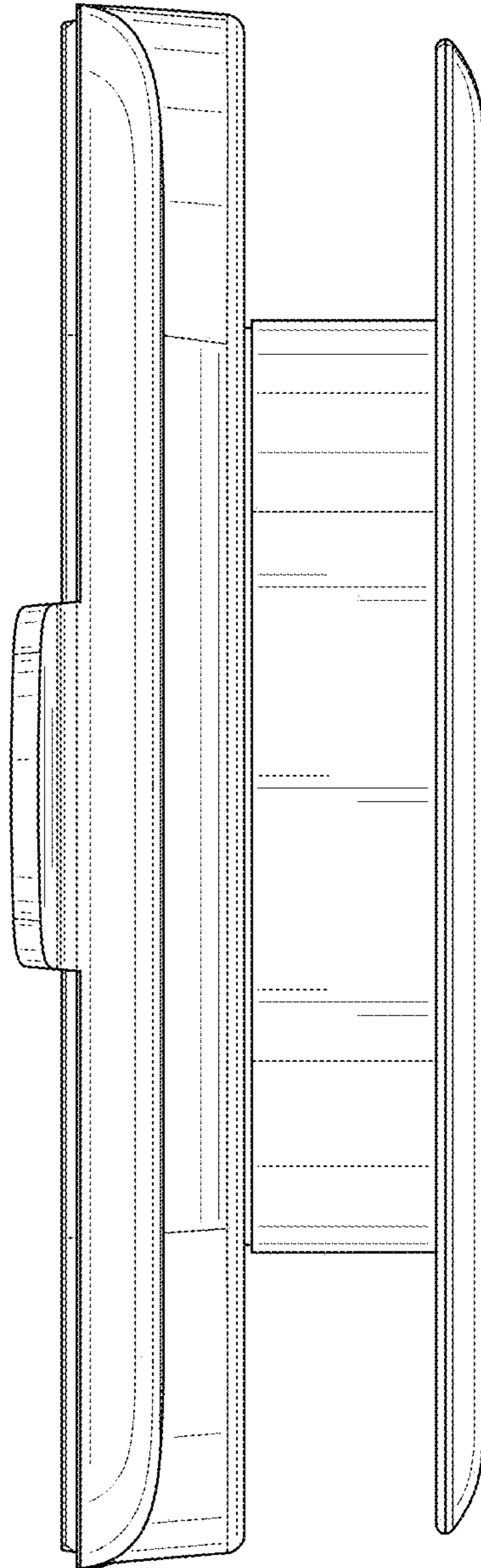


FIG. 3

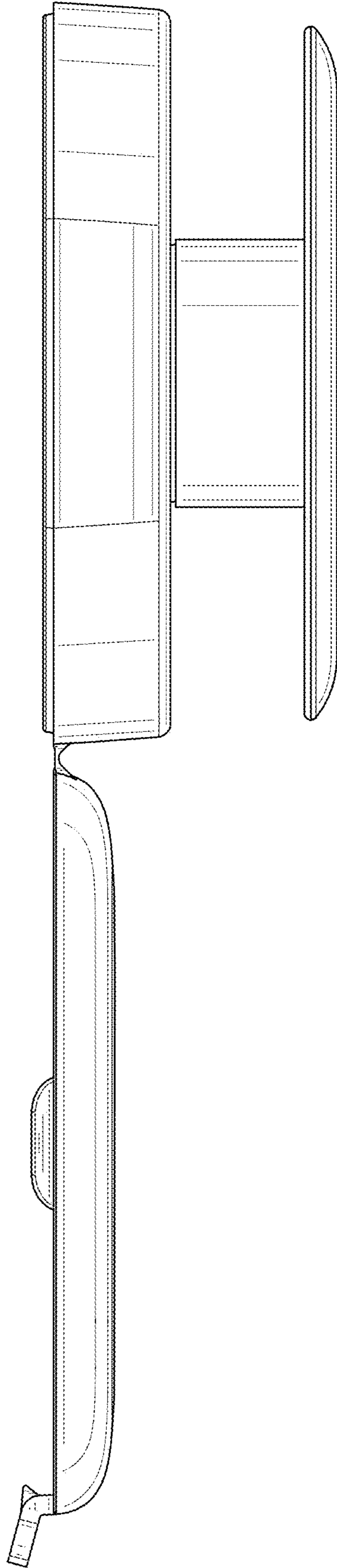


FIG. 4

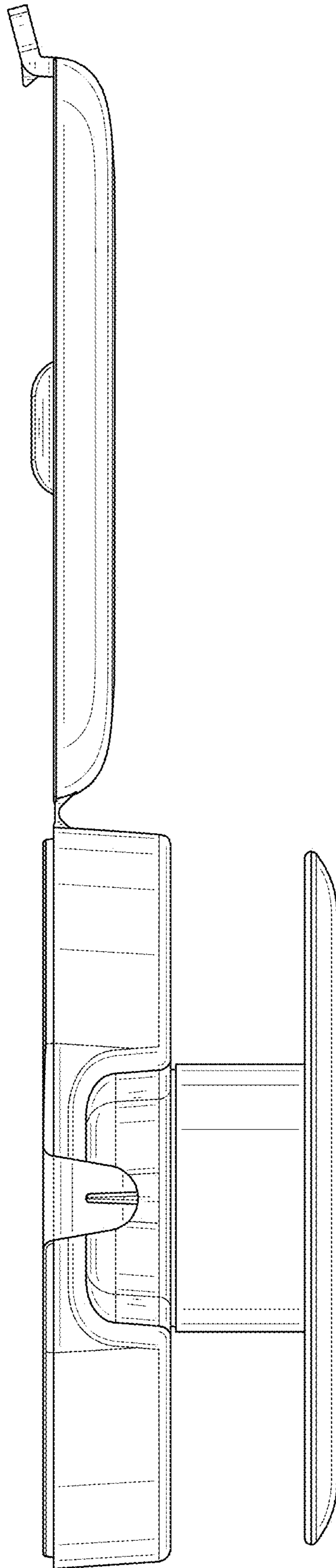


FIG. 5

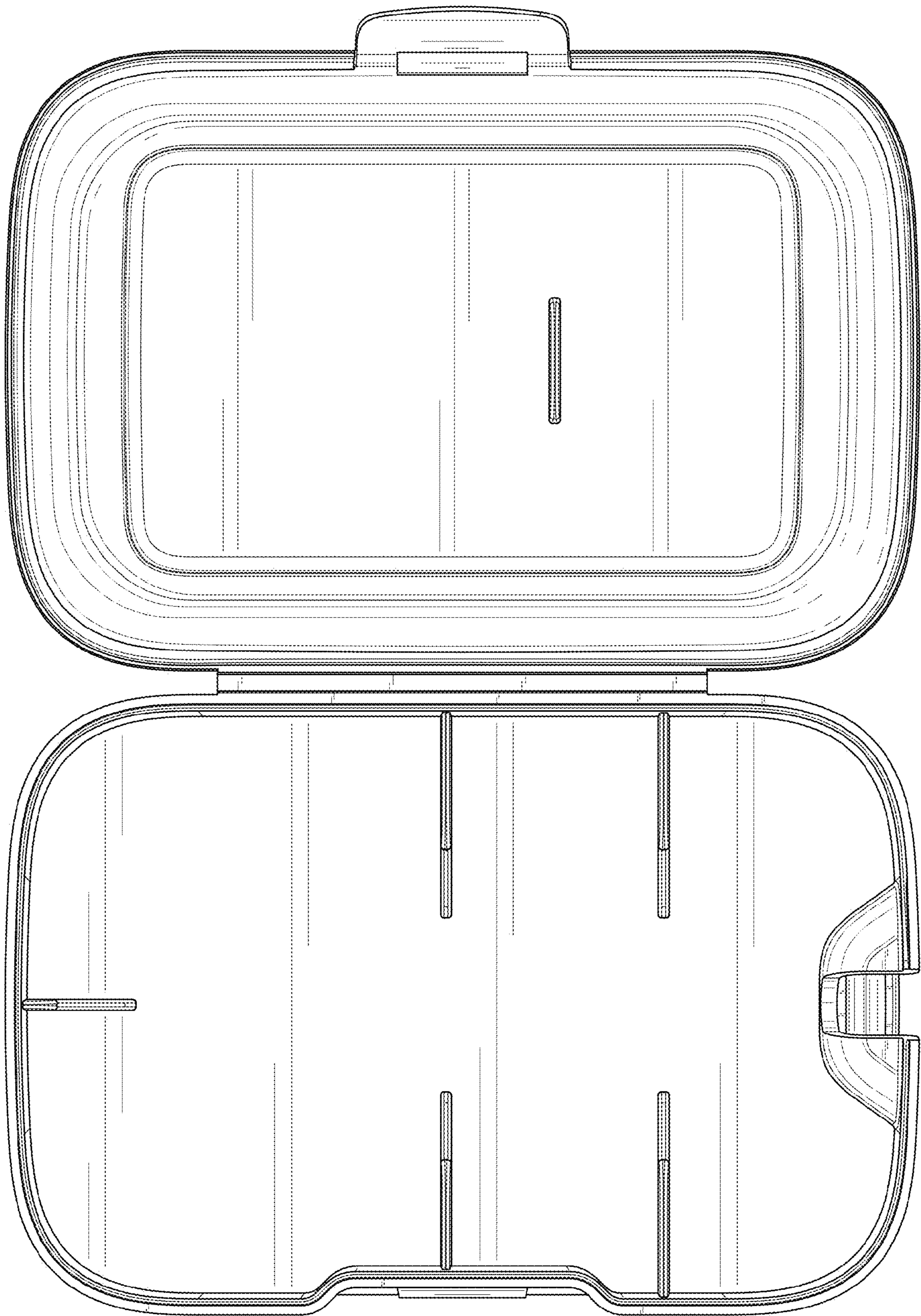


FIG. 6

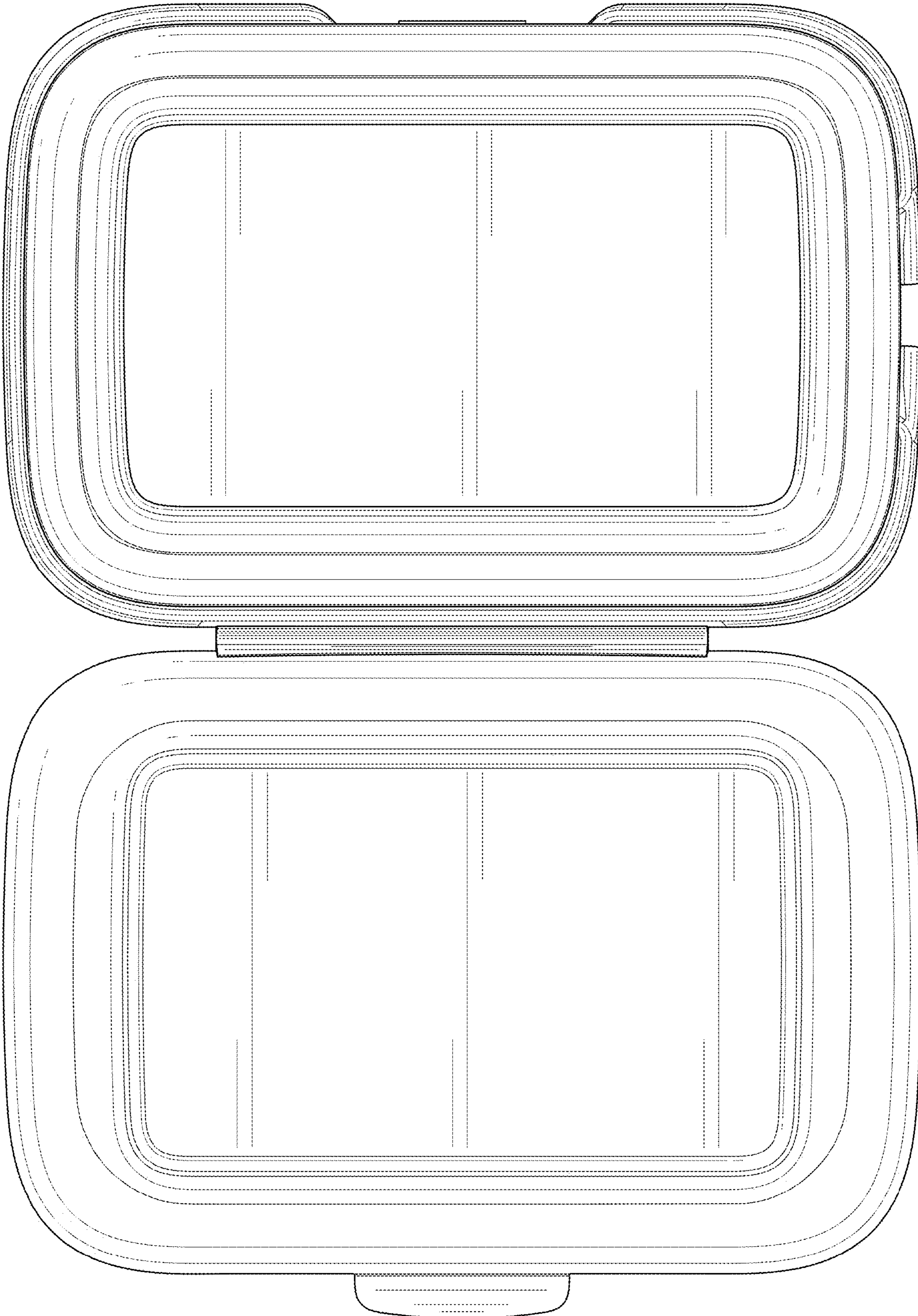


FIG. 7

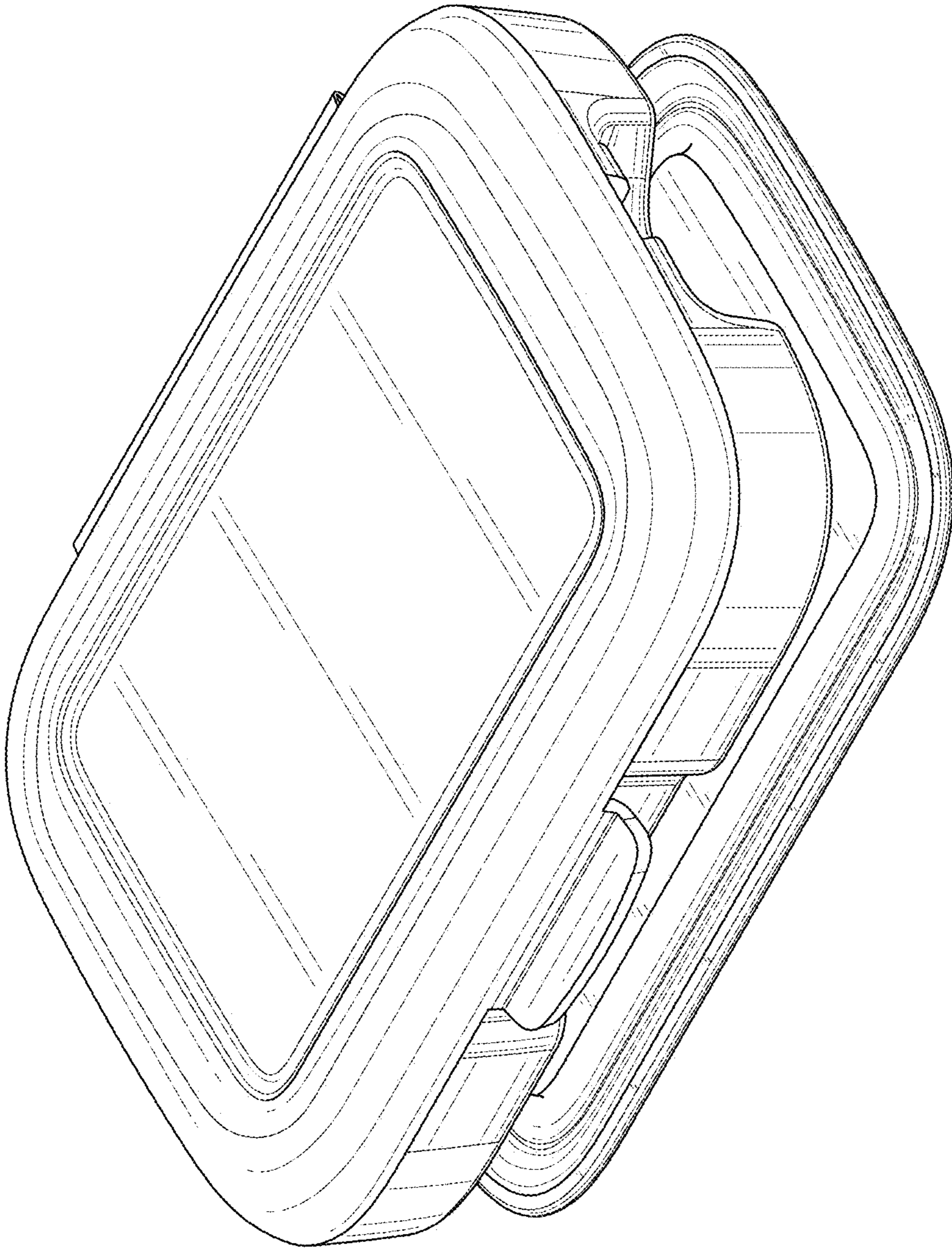


FIG. 8

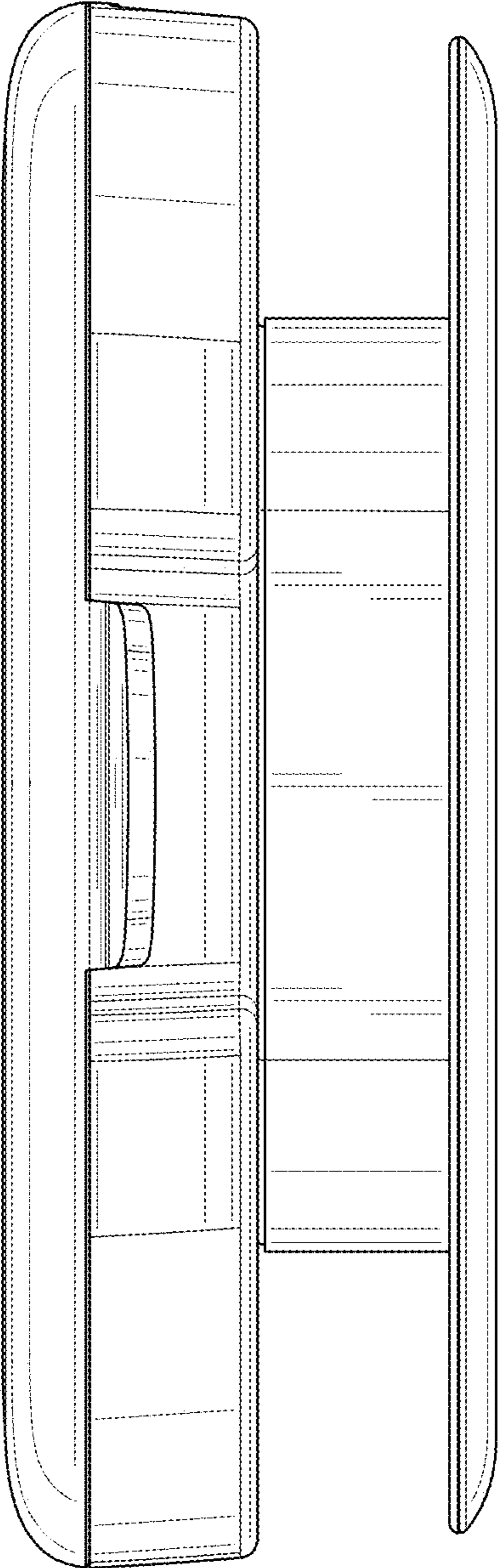


FIG. 9

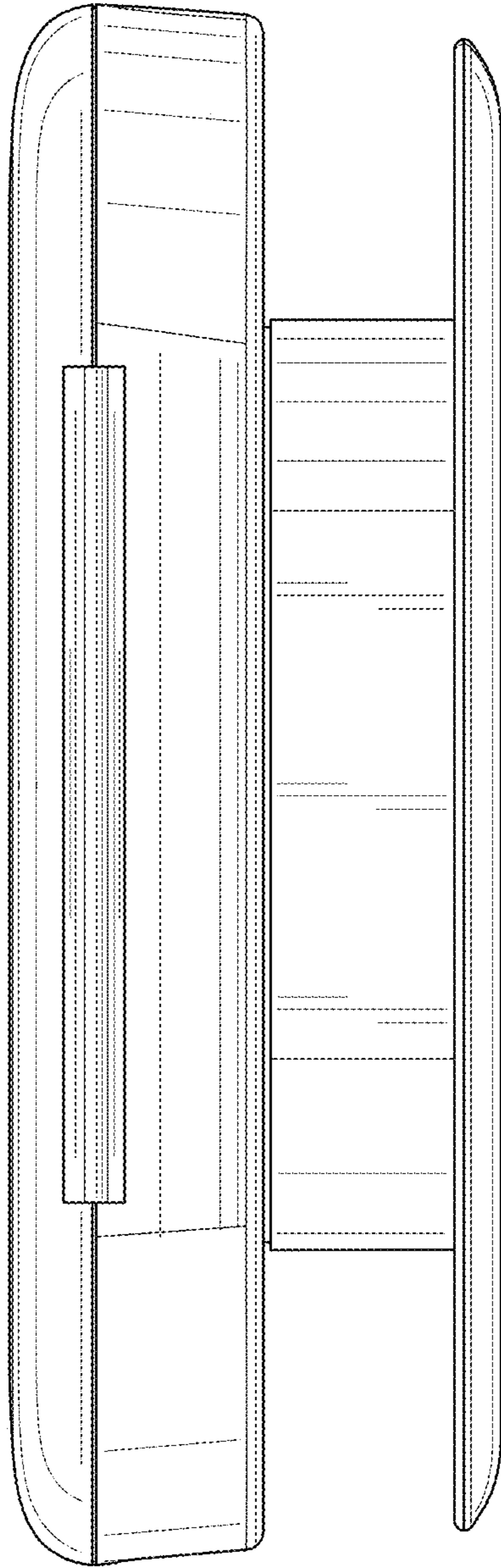


FIG. 10

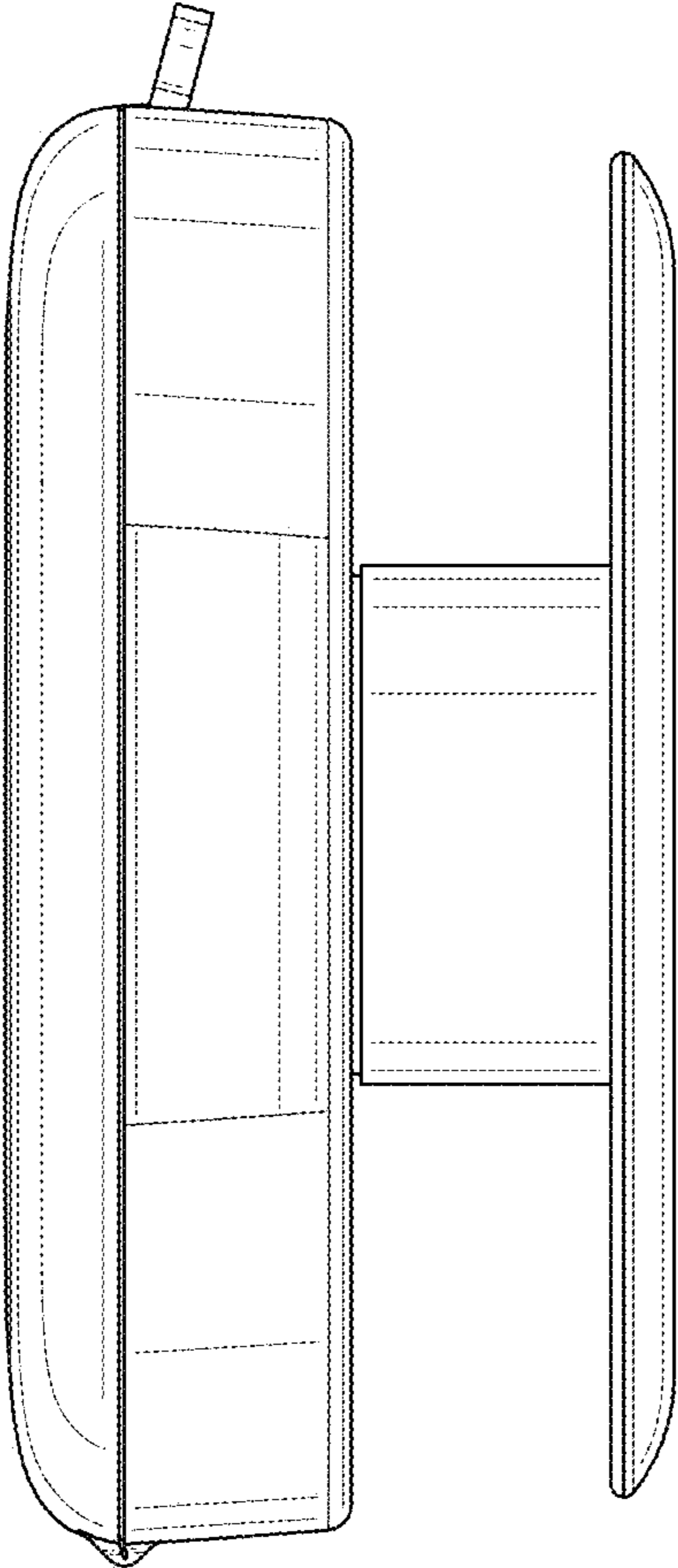


FIG. 11

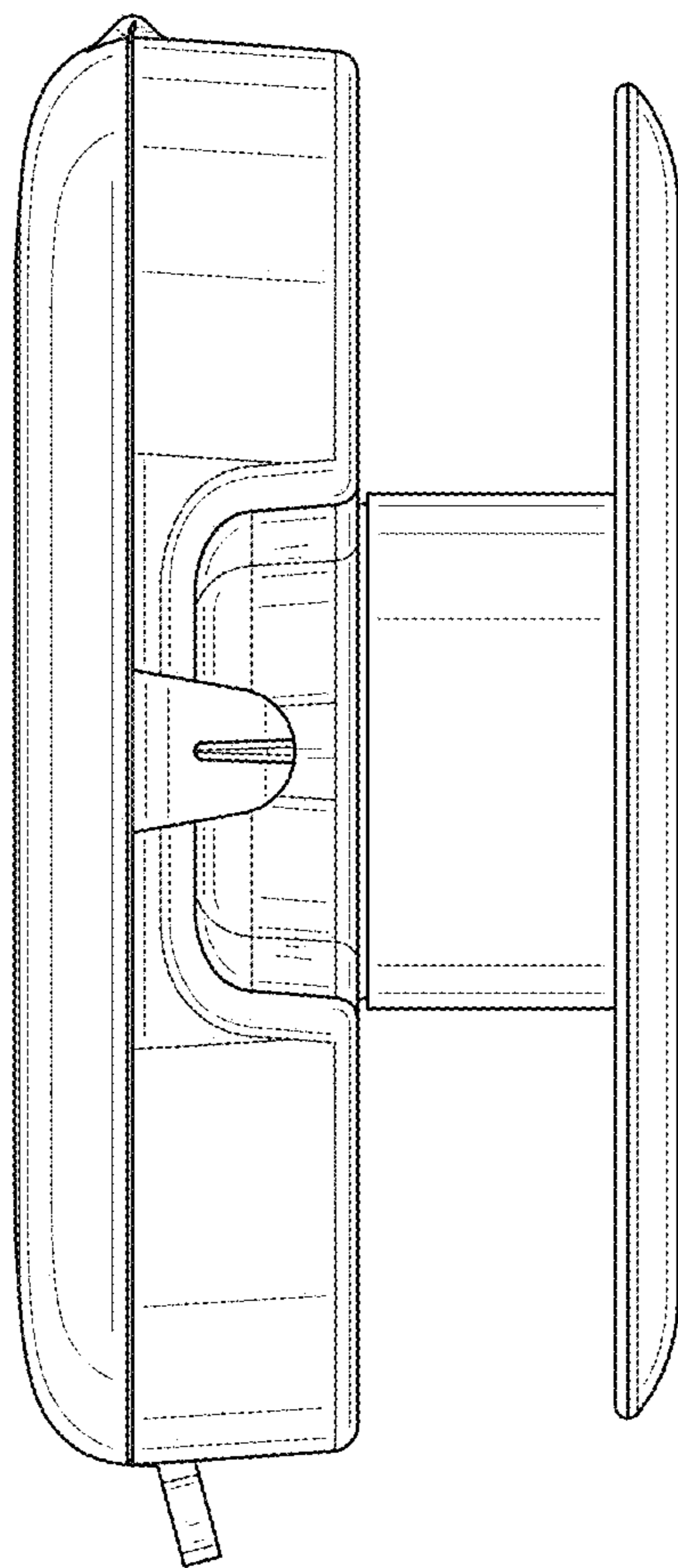


FIG. 12

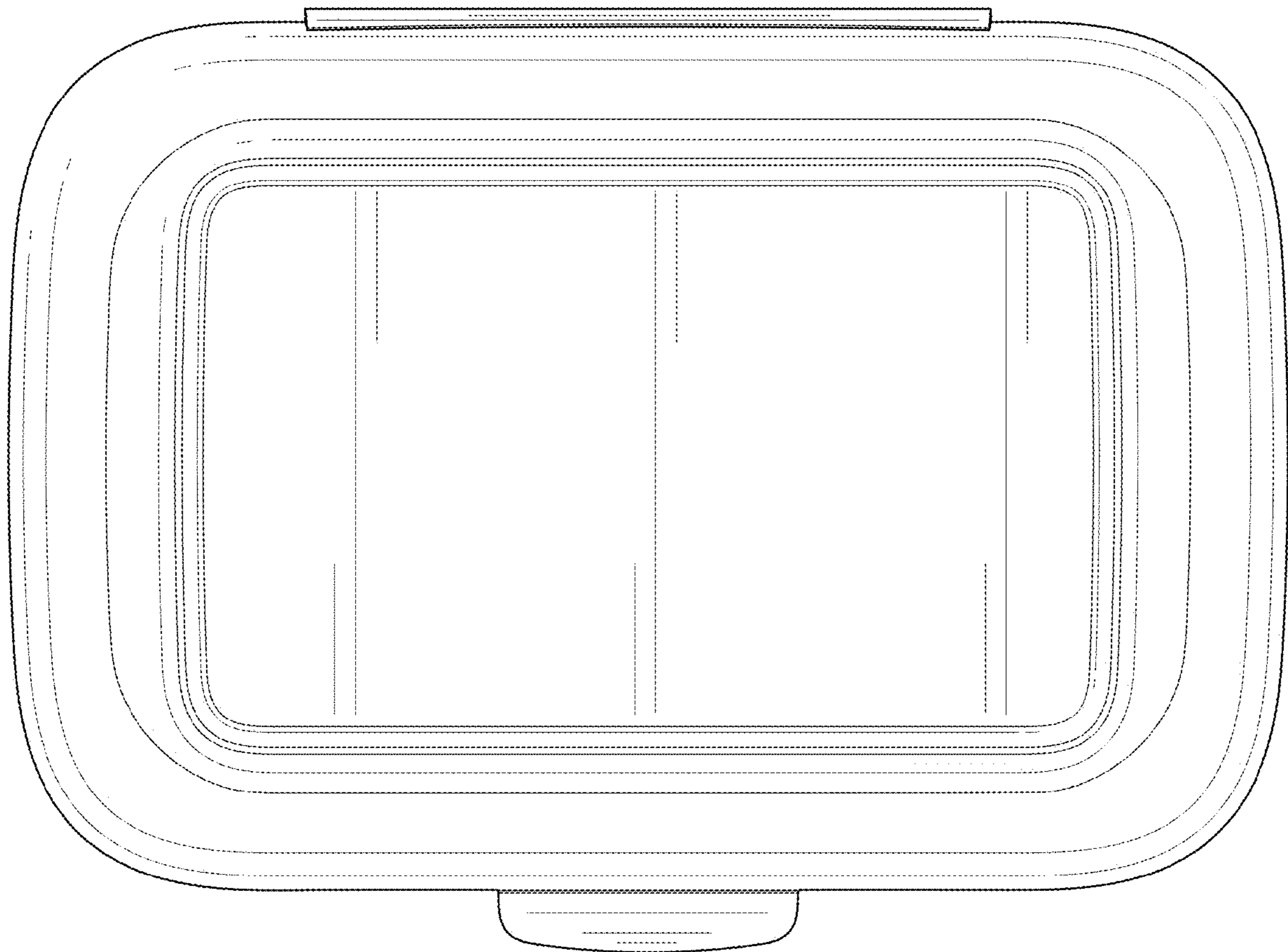


FIG. 13

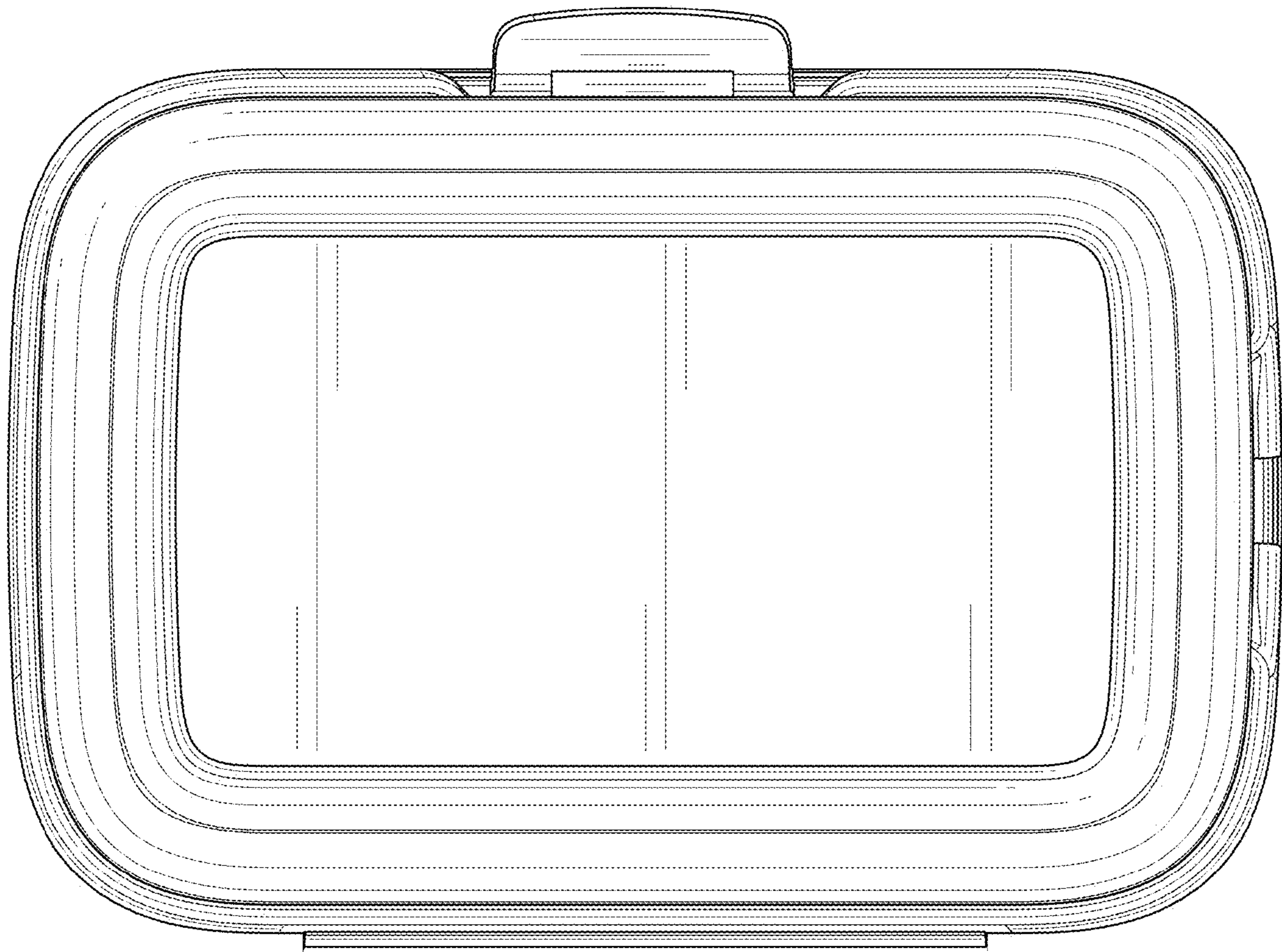


FIG. 14

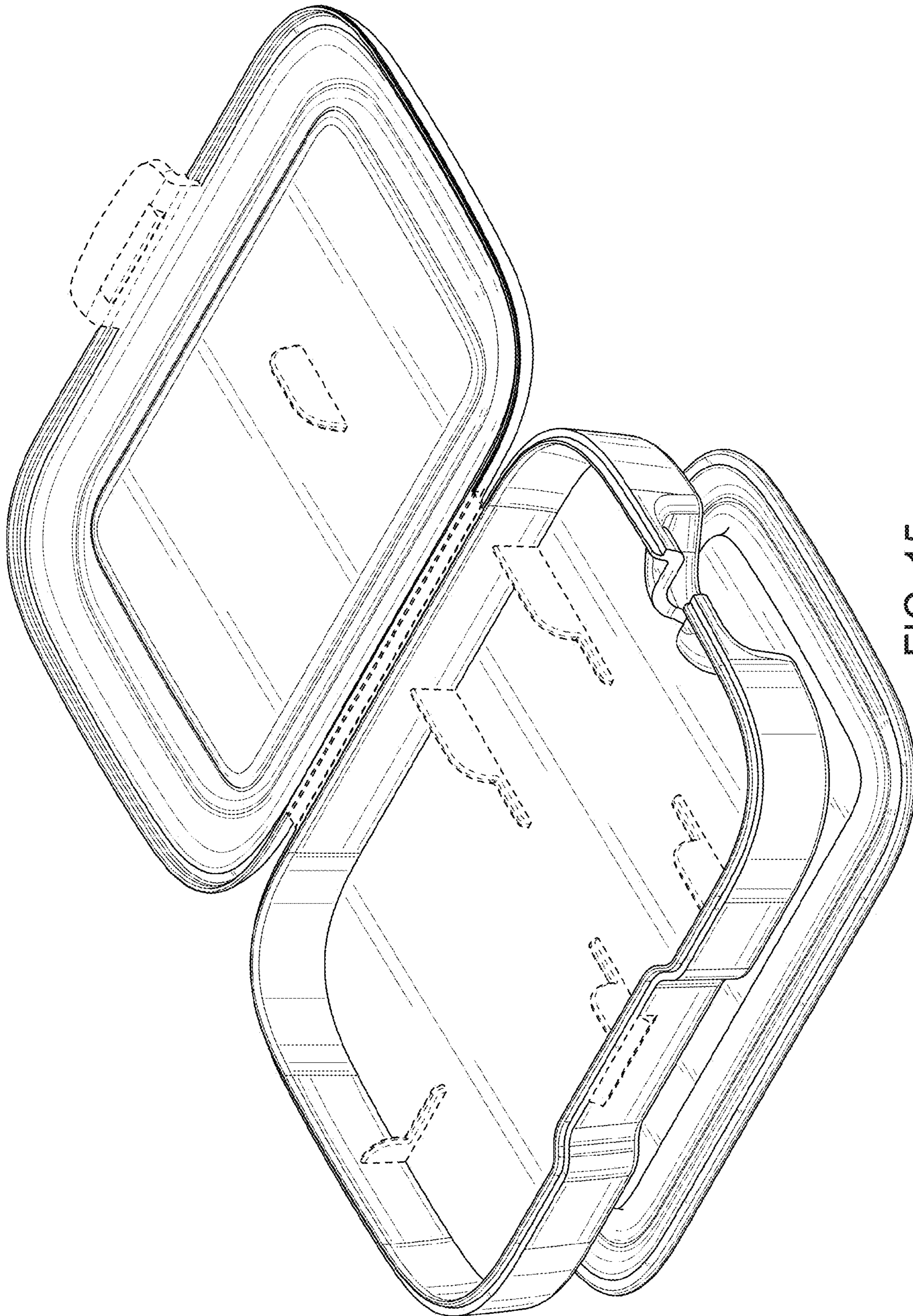


FIG. 15

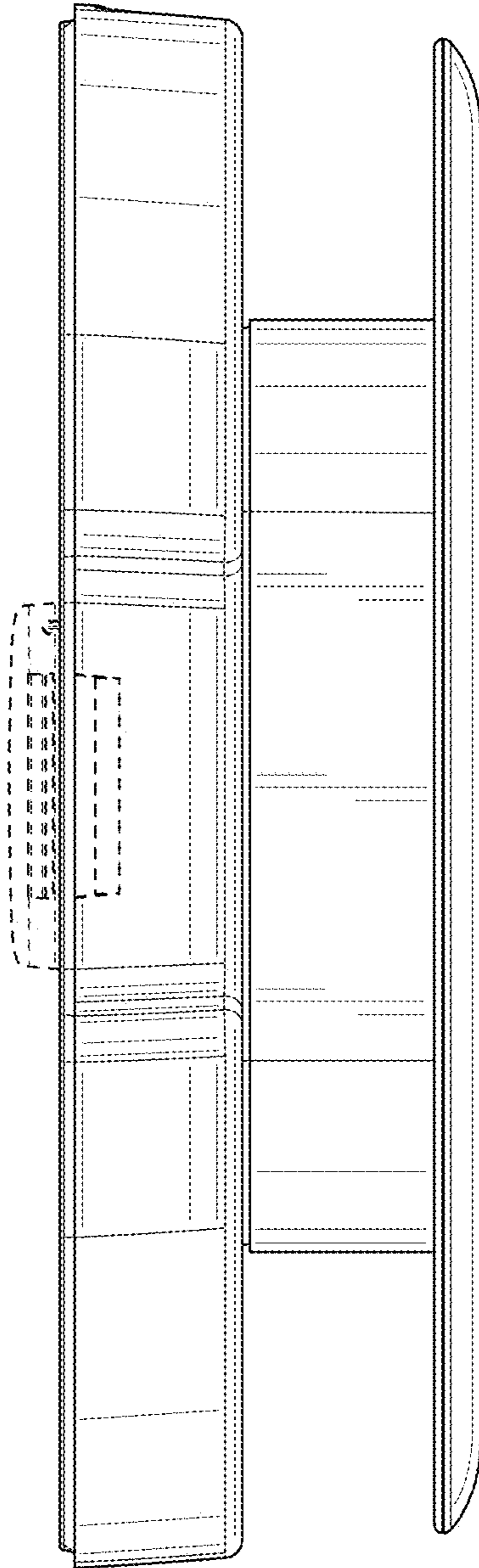


FIG. 16

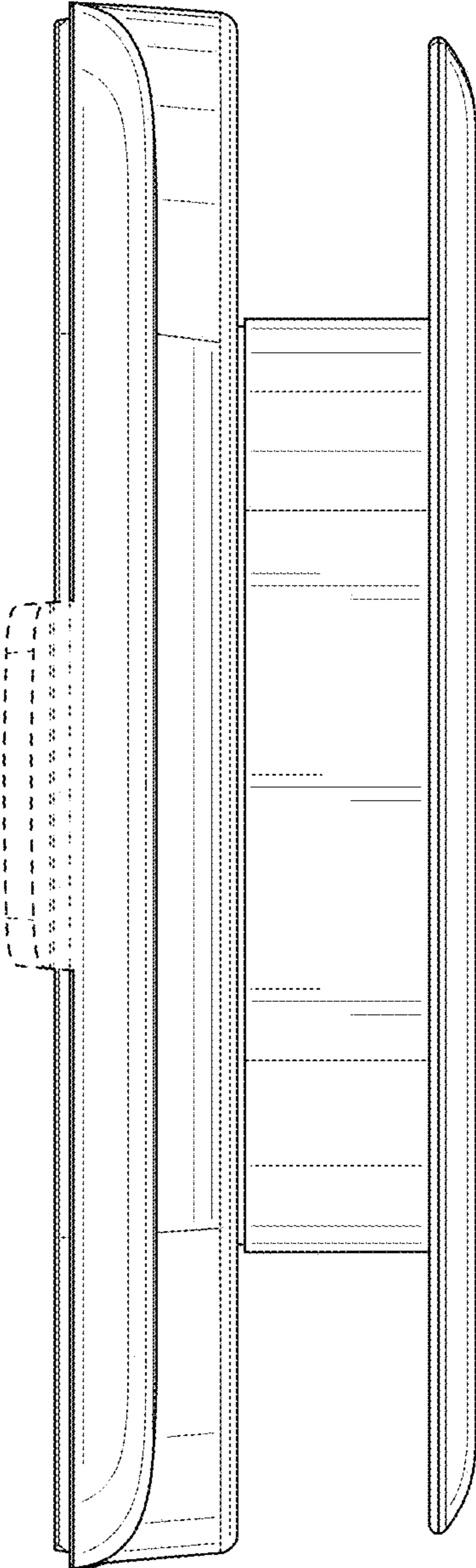


FIG. 17

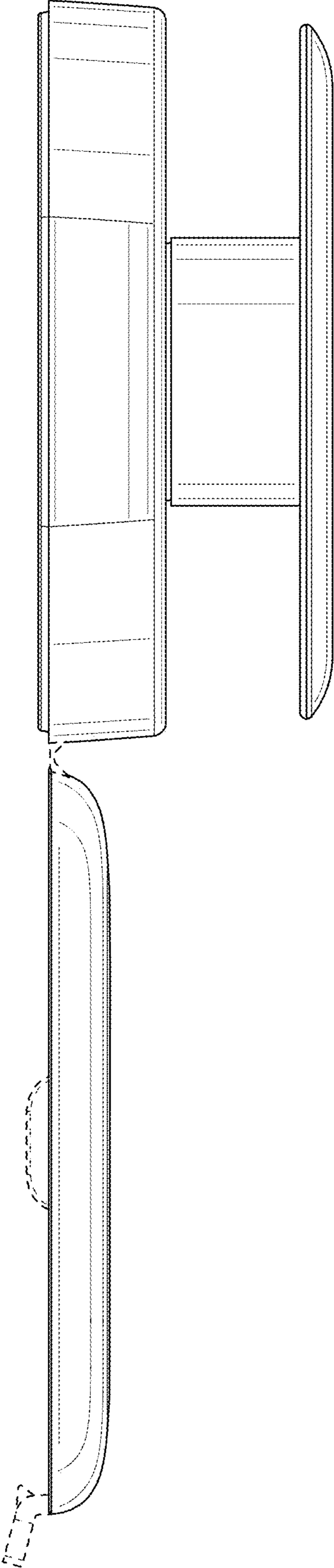


FIG. 18

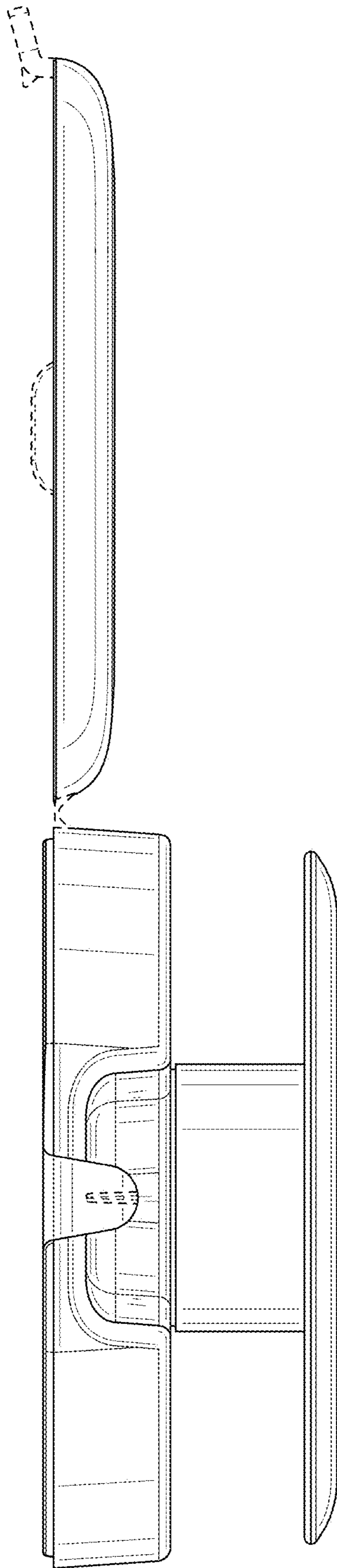


FIG. 19

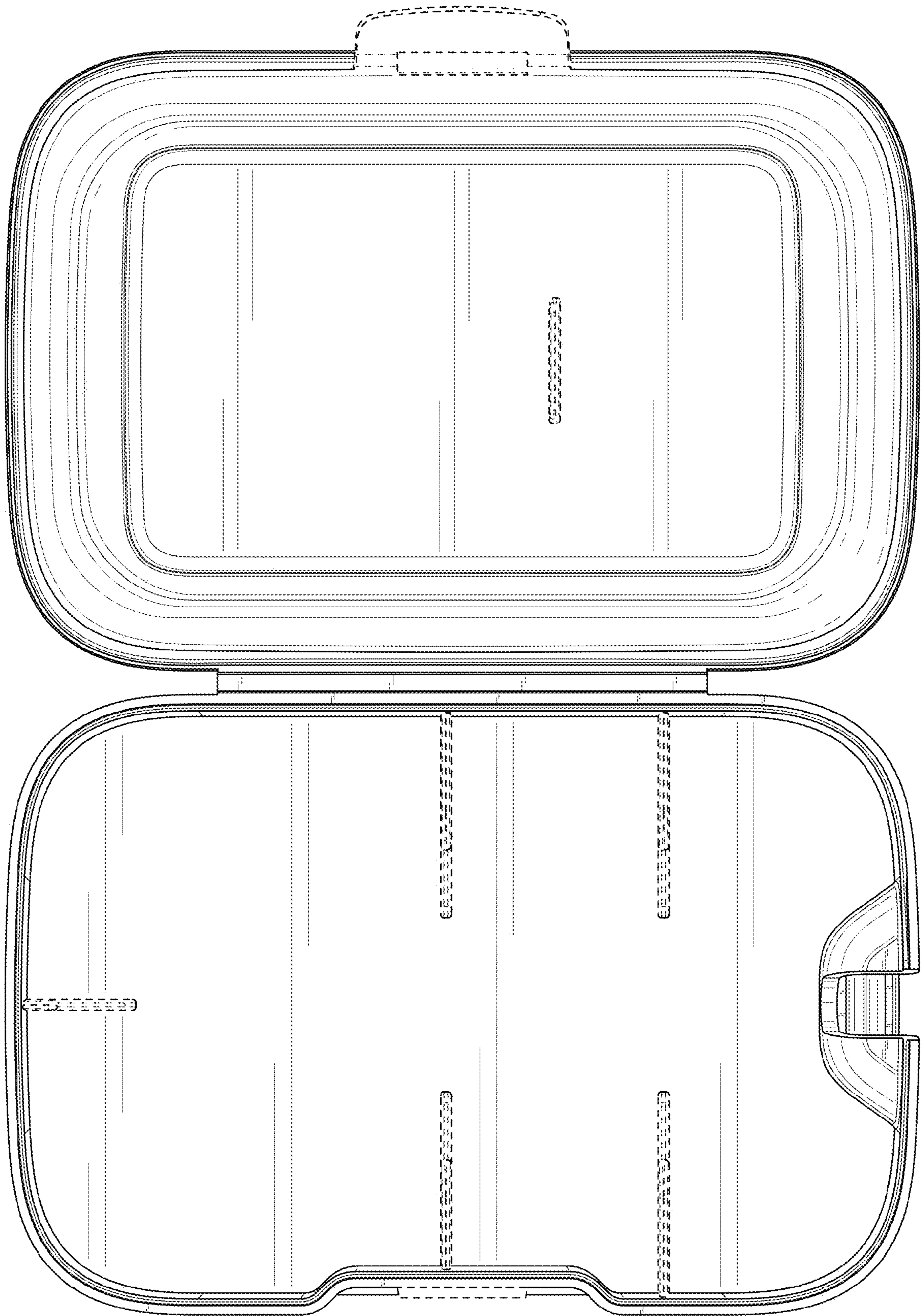


FIG. 20

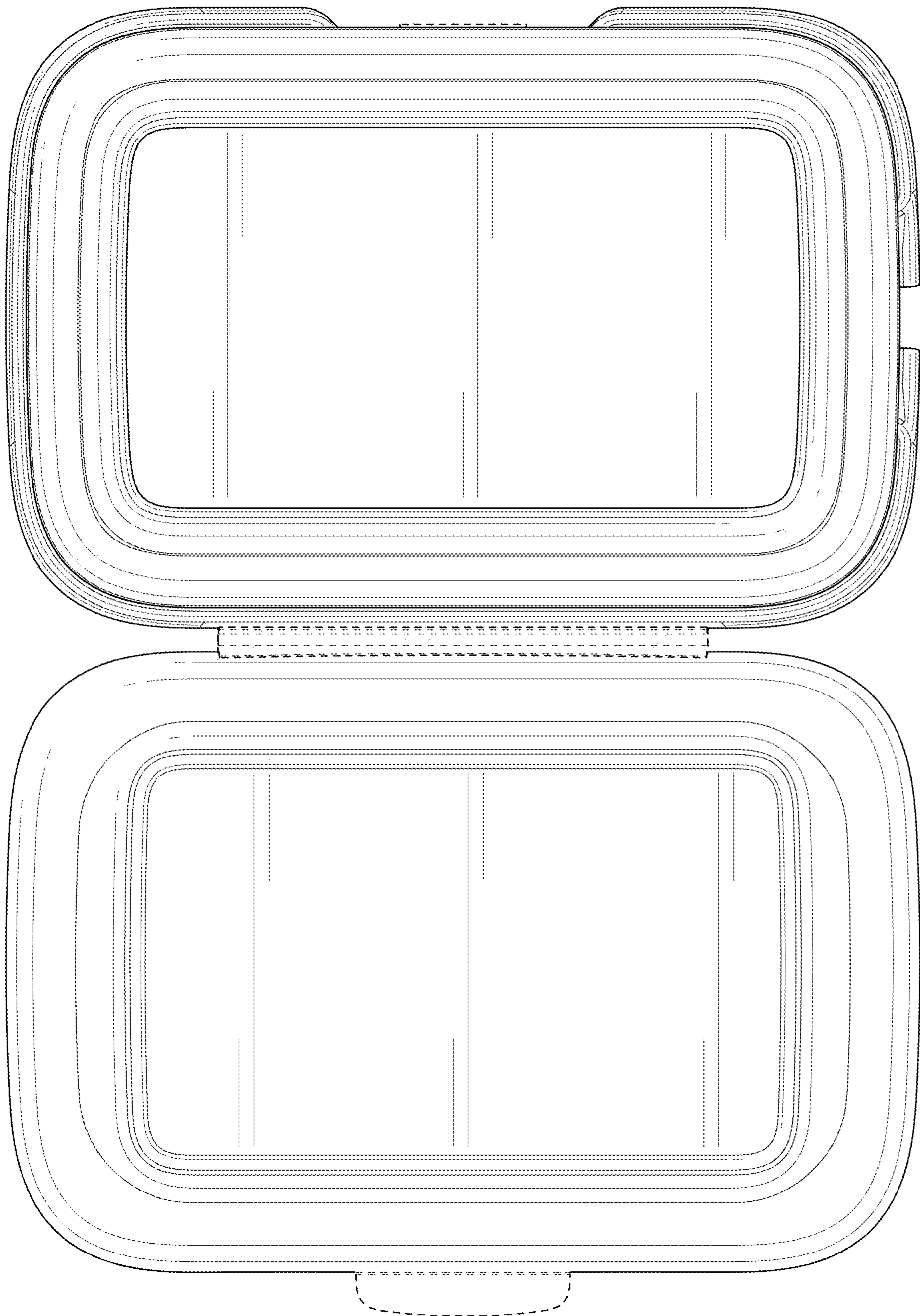


FIG. 21

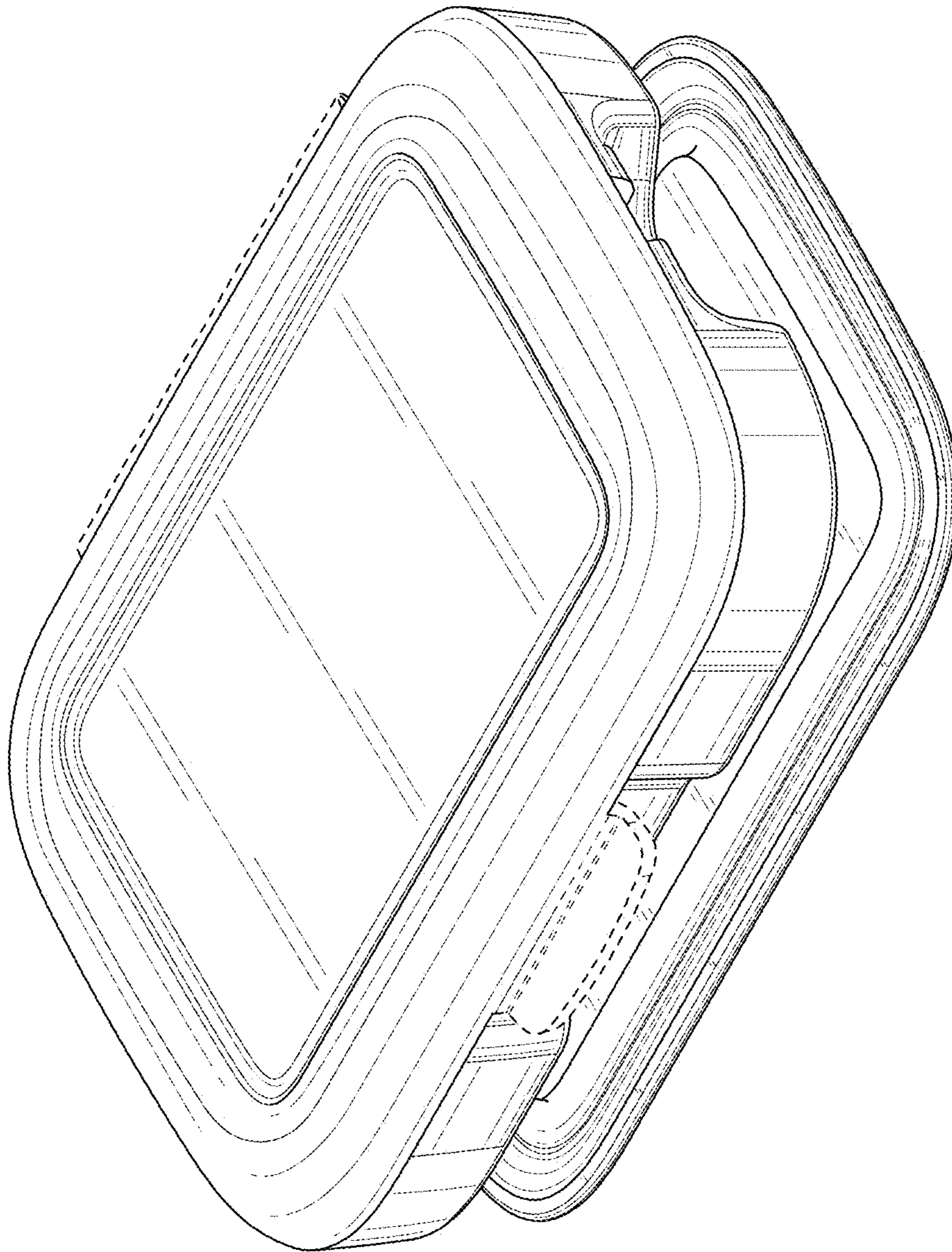


FIG. 22

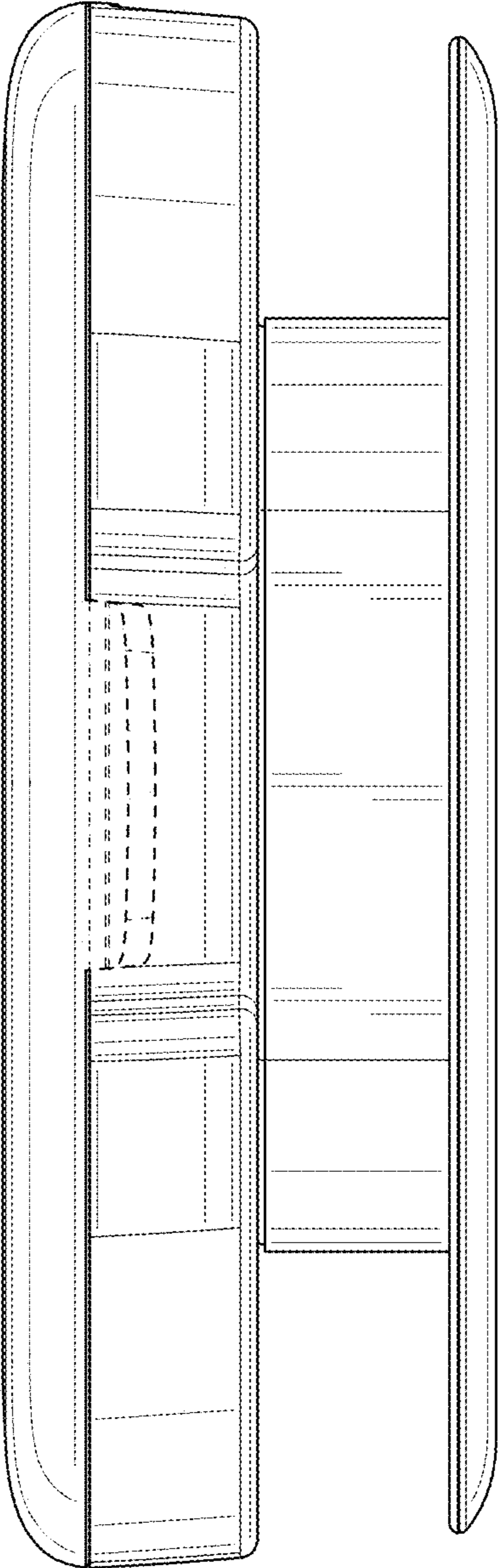


FIG. 23

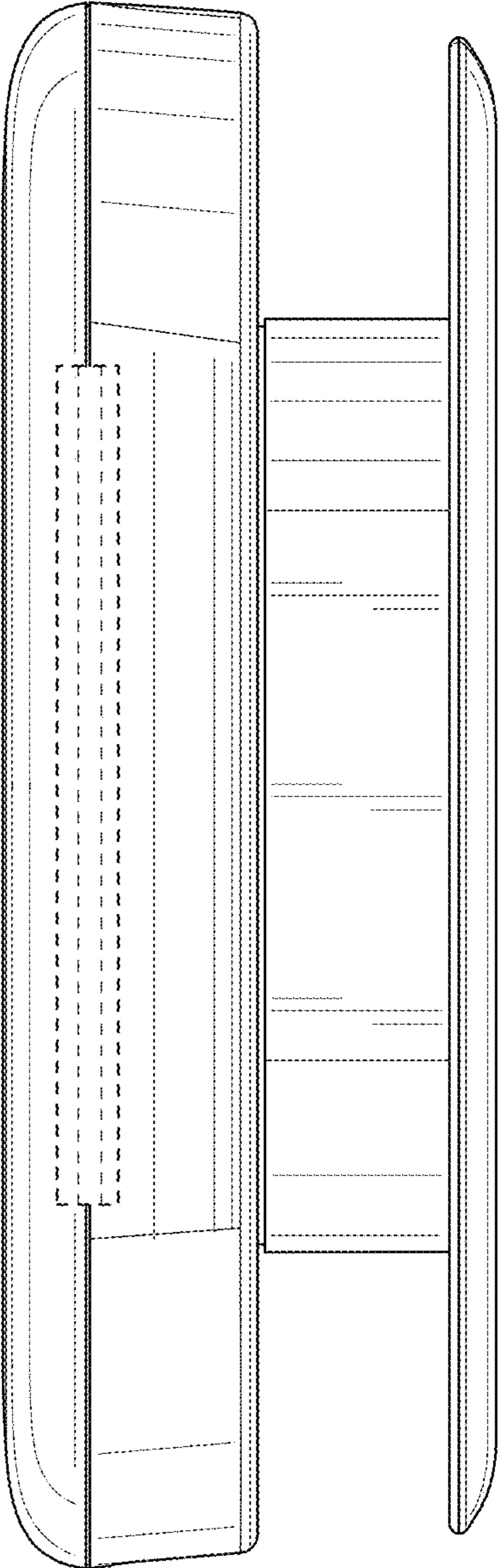


FIG. 24

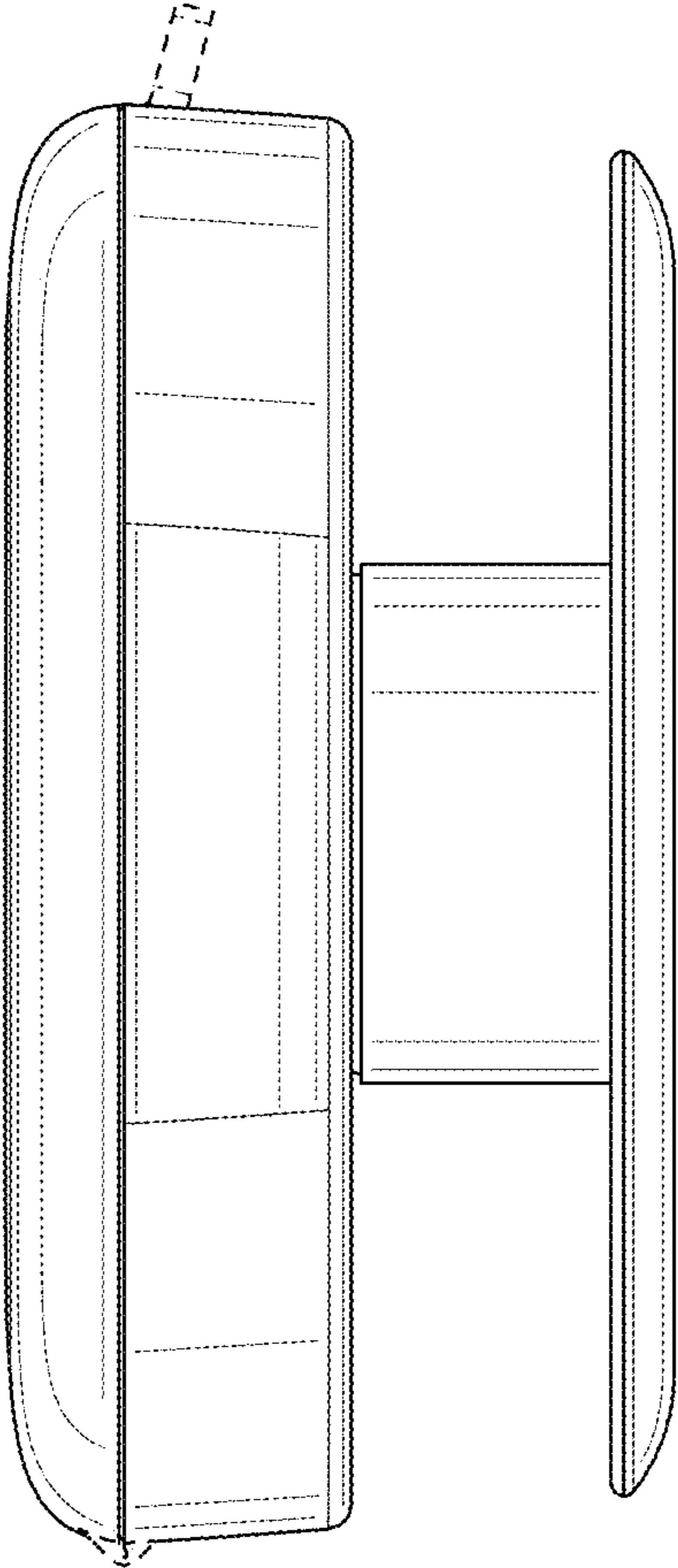


FIG. 25

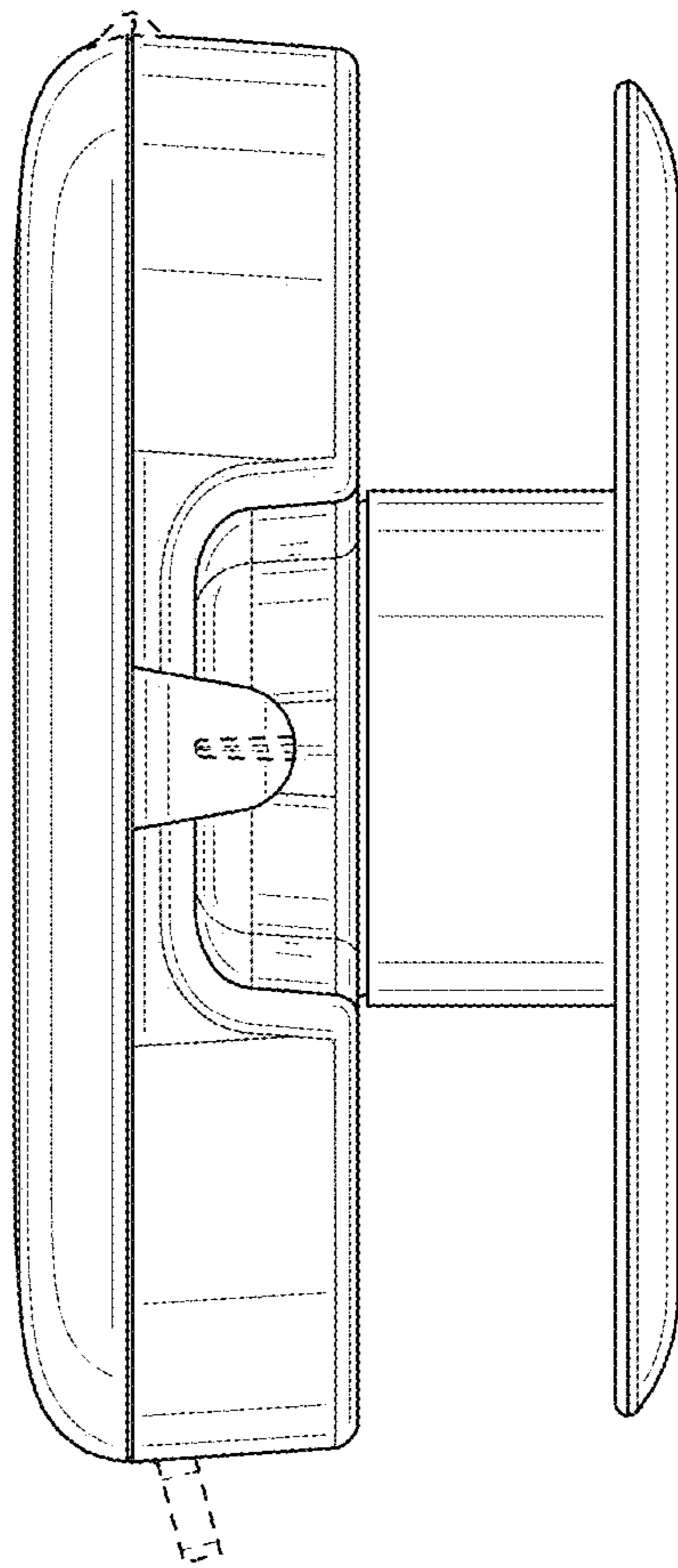


FIG. 26

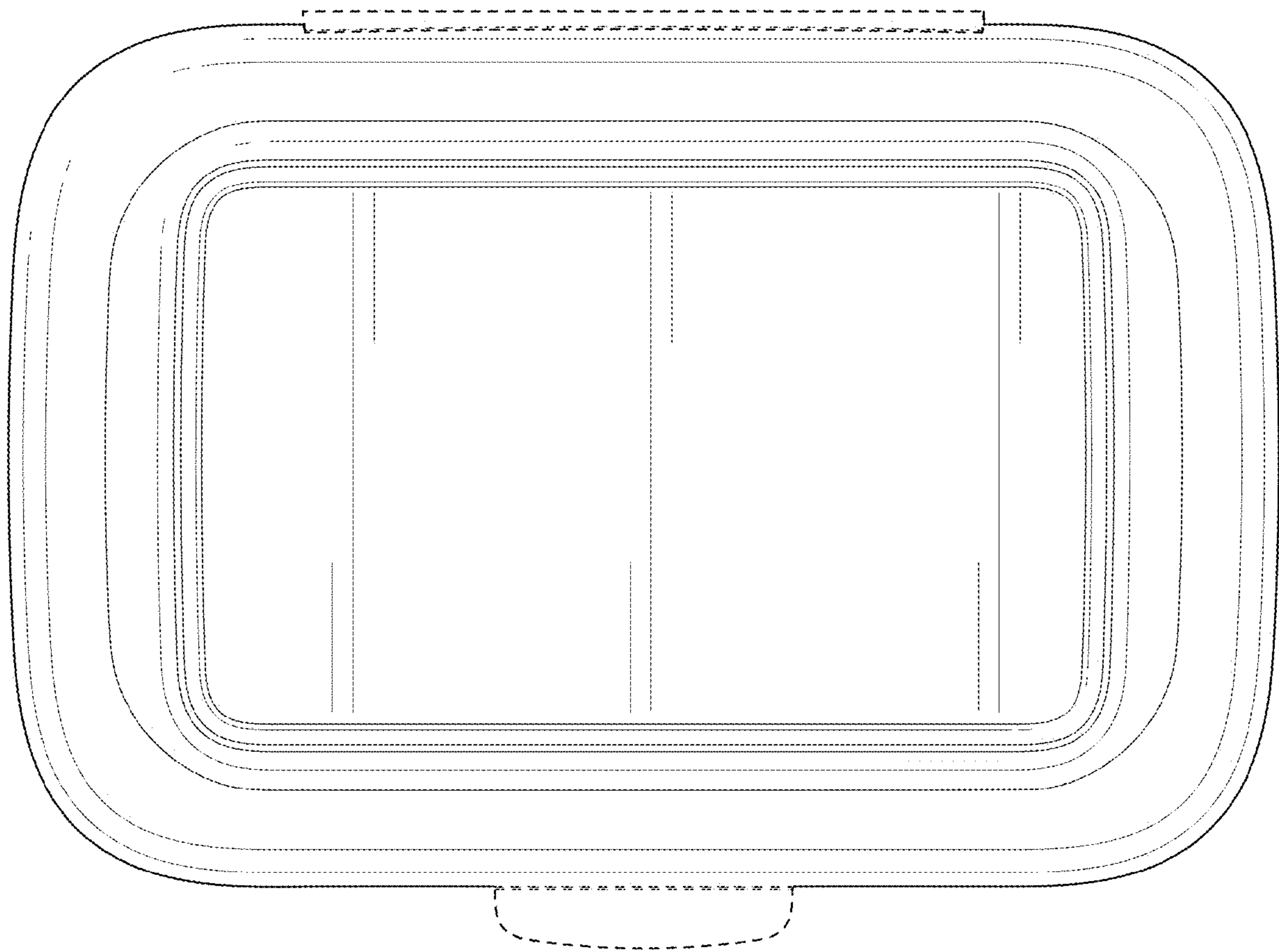


FIG. 27

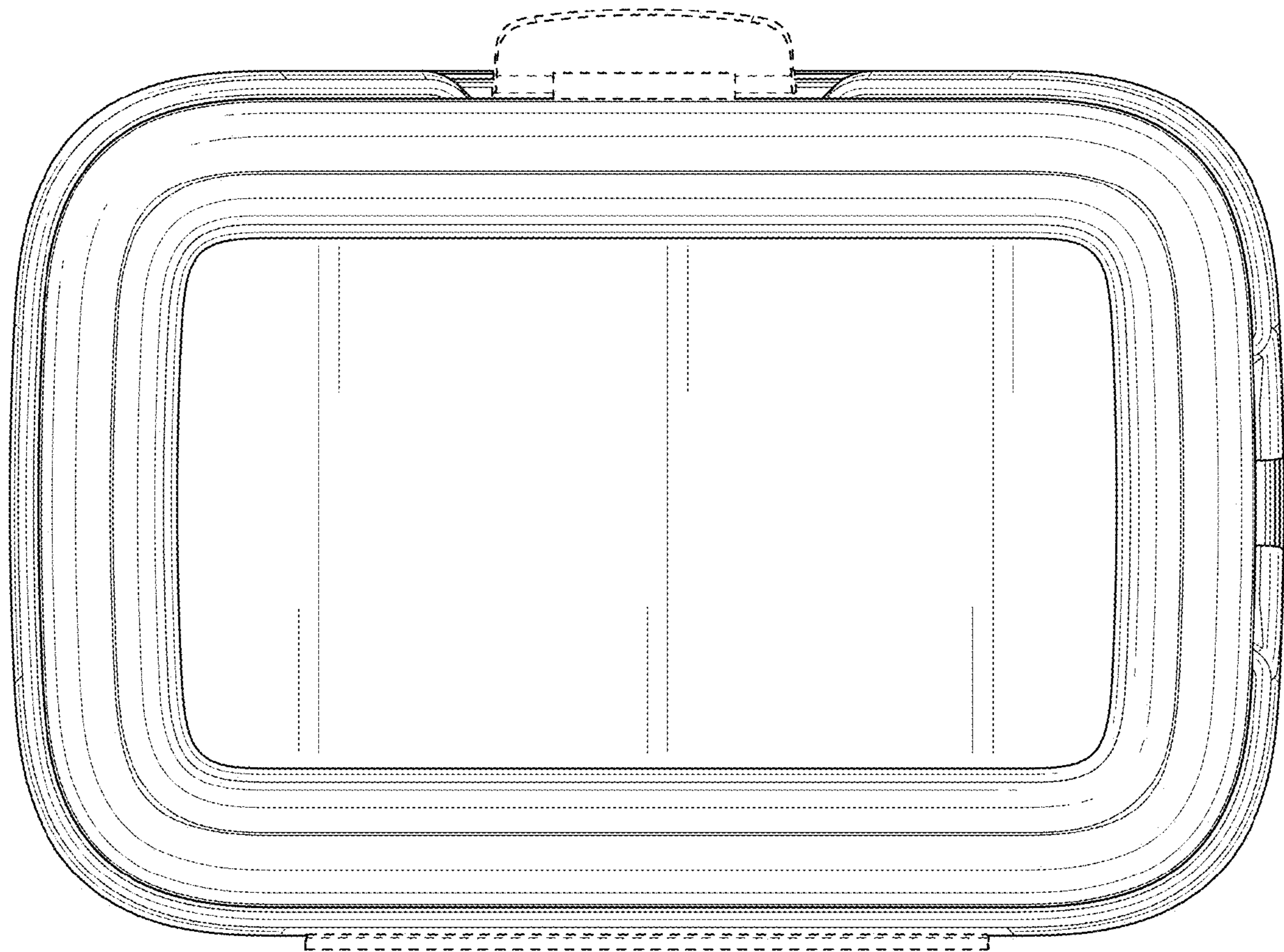


FIG. 28