



US00D891083S

(12) **United States Design Patent**
Baldemor et al.

(10) **Patent No.:** **US D891,083 S**

(45) **Date of Patent:** **** Jul. 28, 2020**

(54) **DRUM SET CASE ASSEMBLY WITH CART**

(71) Applicants: **Jay Baldemor**, Yorba Linda, CA (US);
Peter Espartero, Corona, CA (US)

(72) Inventors: **Jay Baldemor**, Yorba Linda, CA (US);
Peter Espartero, Corona, CA (US)

(**) Term: **15 Years**

(21) Appl. No.: **29/684,550**

(22) Filed: **Mar. 21, 2019**

(51) **LOC (12) Cl.** **03-01**

(52) **U.S. Cl.**
USPC **D3/204**

(58) **Field of Classification Search**
USPC D3/201, 204, 213–217, 273, 274, 276,
D3/301, 321
CPC .. G10G 7/005; A47C 9/08; B62B 1/04; B62B
1/12
See application file for complete search history.

(56) **References Cited**

U.S. PATENT DOCUMENTS

D247,195 S *	2/1978	Mikosz	D3/204
D247,196 S *	2/1978	Mikosz	D3/204
D247,197 S *	2/1978	Mikosz	D3/204
6,550,860 B2 *	4/2003	Lombardi	A47C 9/08 220/915.2
6,723,906 B2 *	4/2004	Bourgoin	G10G 7/005 84/411 R
D543,350 S *	5/2007	Sanderson	D3/201
D555,894 S *	11/2007	Berg	D3/204

D561,990 S *	2/2008	Berg	D3/204
D570,596 S *	6/2008	Berg	D3/204
8,646,785 B2 *	2/2014	Udall	B62B 5/049 280/47.26
D700,432 S *	3/2014	Music	D3/204
9,449,588 B2 *	9/2016	Verderosa	G10G 5/00
9,884,638 B1 *	2/2018	Sulcer, Jr.	B62B 1/264
D847,490 S *	5/2019	Pernefeldt	D3/204
D847,491 S *	5/2019	Pernefeldt	D3/204
D847,492 S *	5/2019	Pernefeldt	D3/204
D847,493 S *	5/2019	Pernefeldt	D3/204
D848,142 S *	5/2019	Pernefeldt	D3/204
10,647,340 B2 *	5/2020	Kinnee	B62B 5/085

* cited by examiner

Primary Examiner — Mitchell I. Siegel

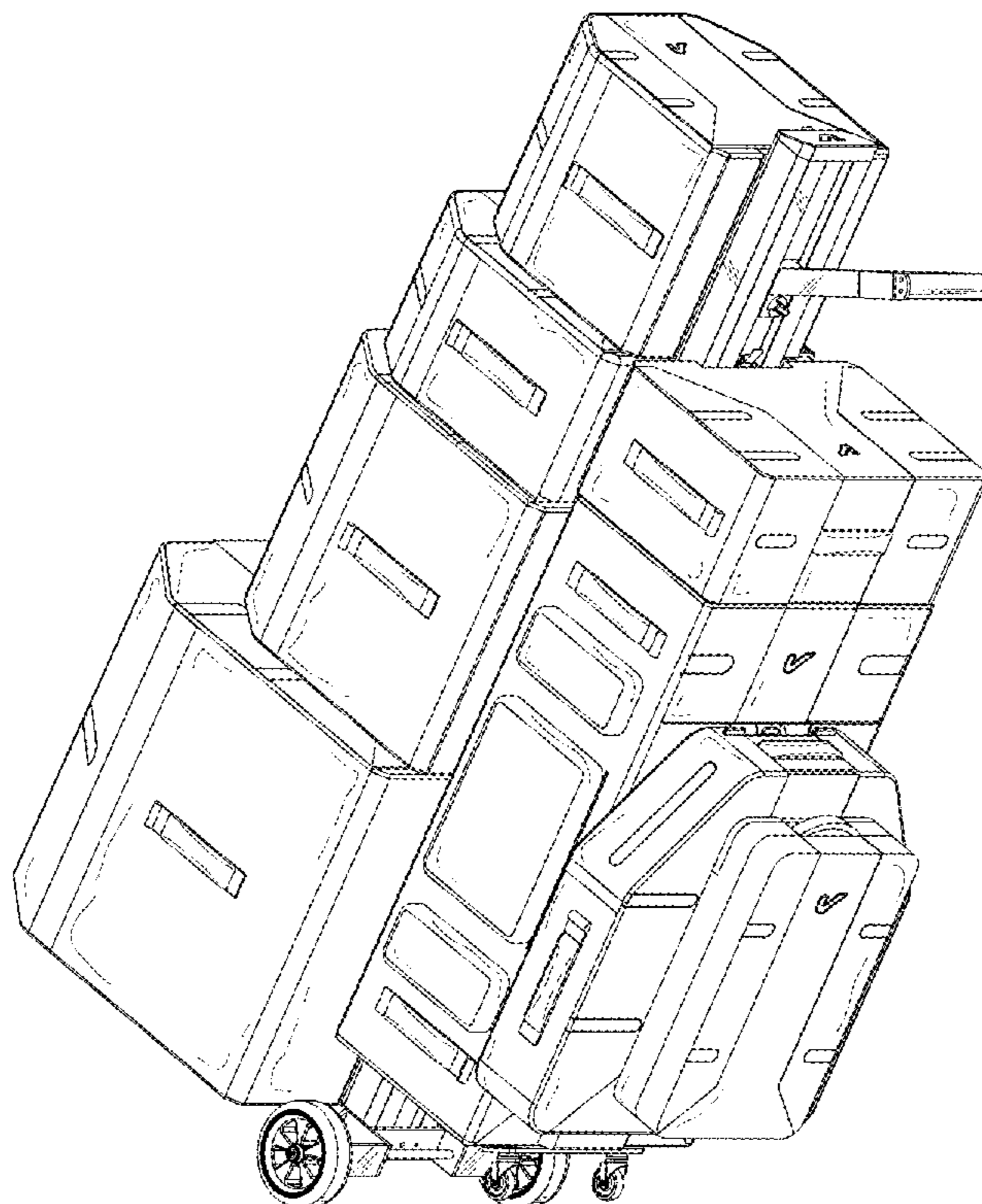
(57) **CLAIM**

We claim the ornamental design for a drum set case assembly with cart, as shown and described.

DESCRIPTION

FIG. 1 is a perspective view of the drum set case assembly with cart of the claimed design;
FIG. 2 is a front view of the assembly of FIG. 1;
FIG. 3 is a back view of the assembly of FIG. 1;
FIG. 4 is a left side view of the assembly of FIG. 1;
FIG. 5 is a right side view of the assembly of FIG. 1;
FIG. 6 is a top view of the assembly of FIG. 1; and,
FIG. 7 is a bottom view of the assembly of FIG. 1.

1 Claim, 7 Drawing Sheets



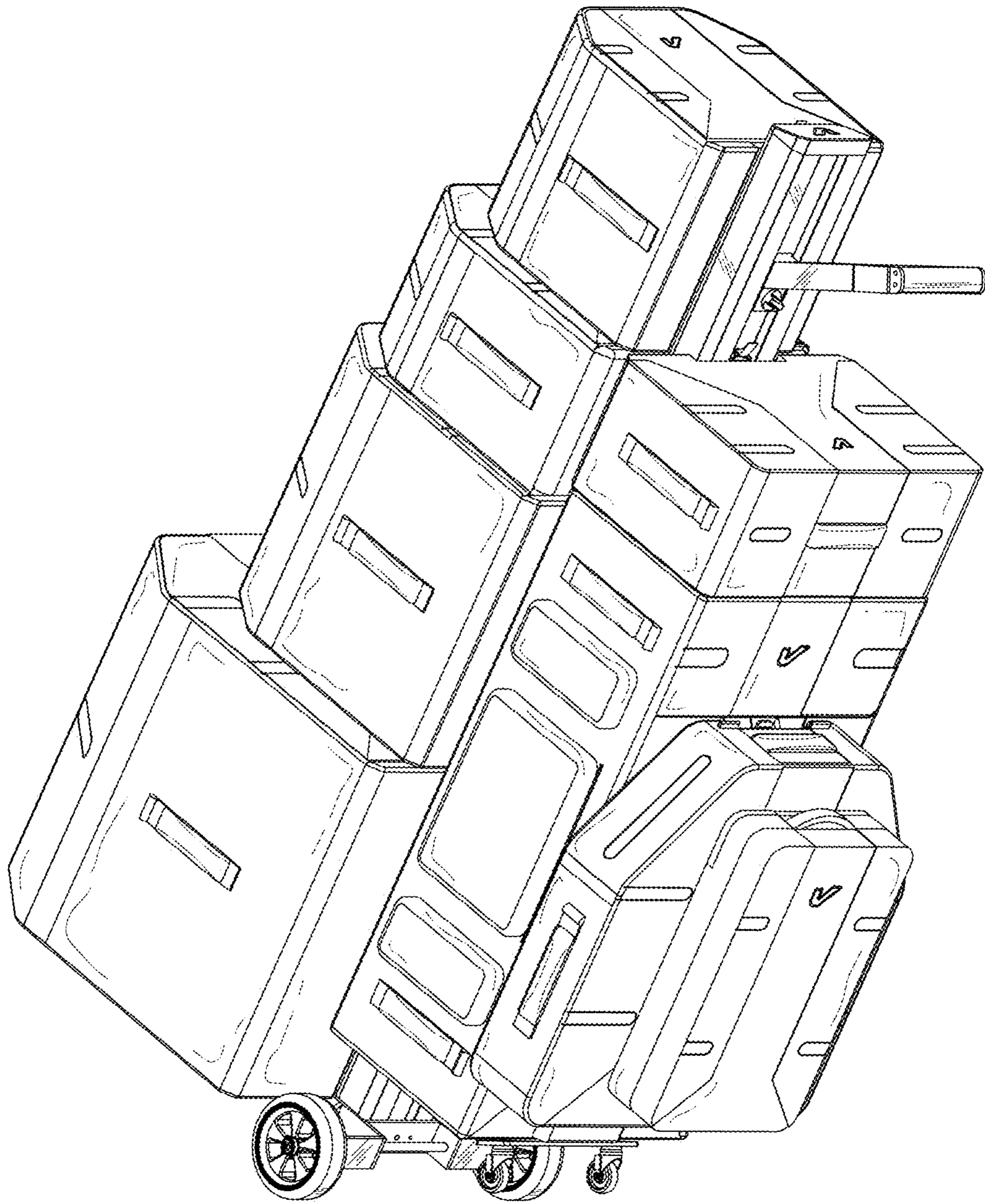


FIGURE 1

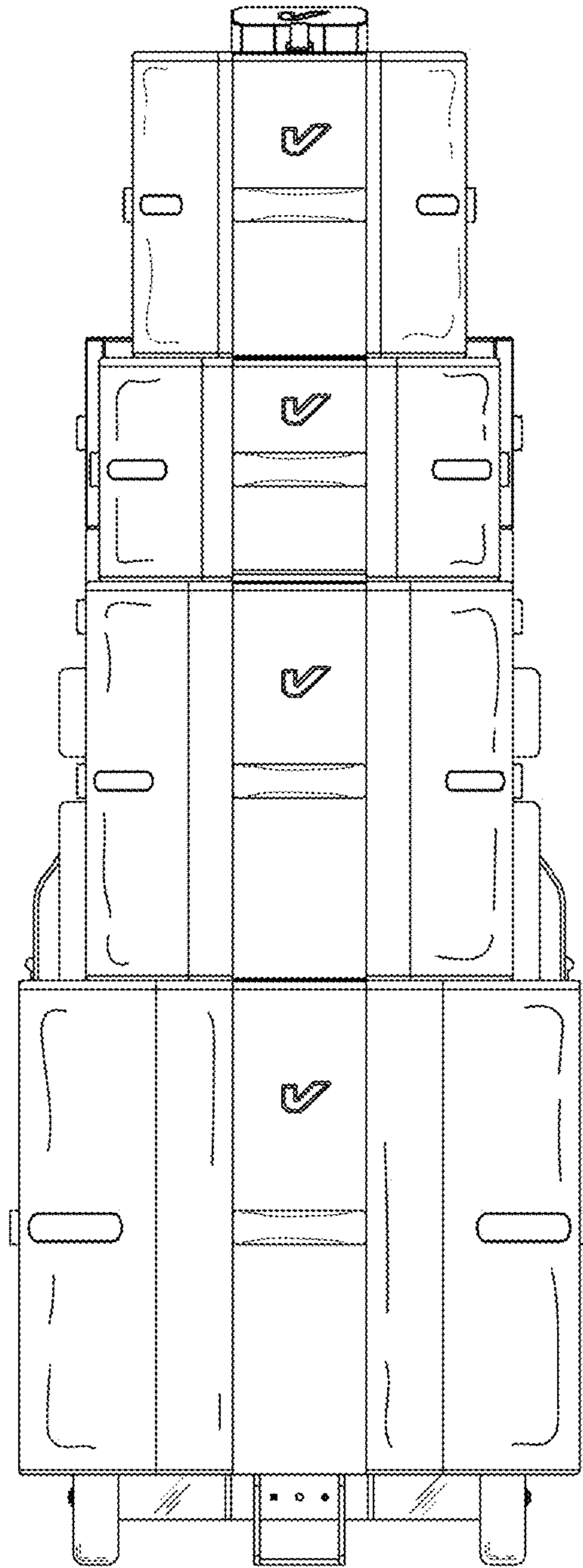


FIGURE 2

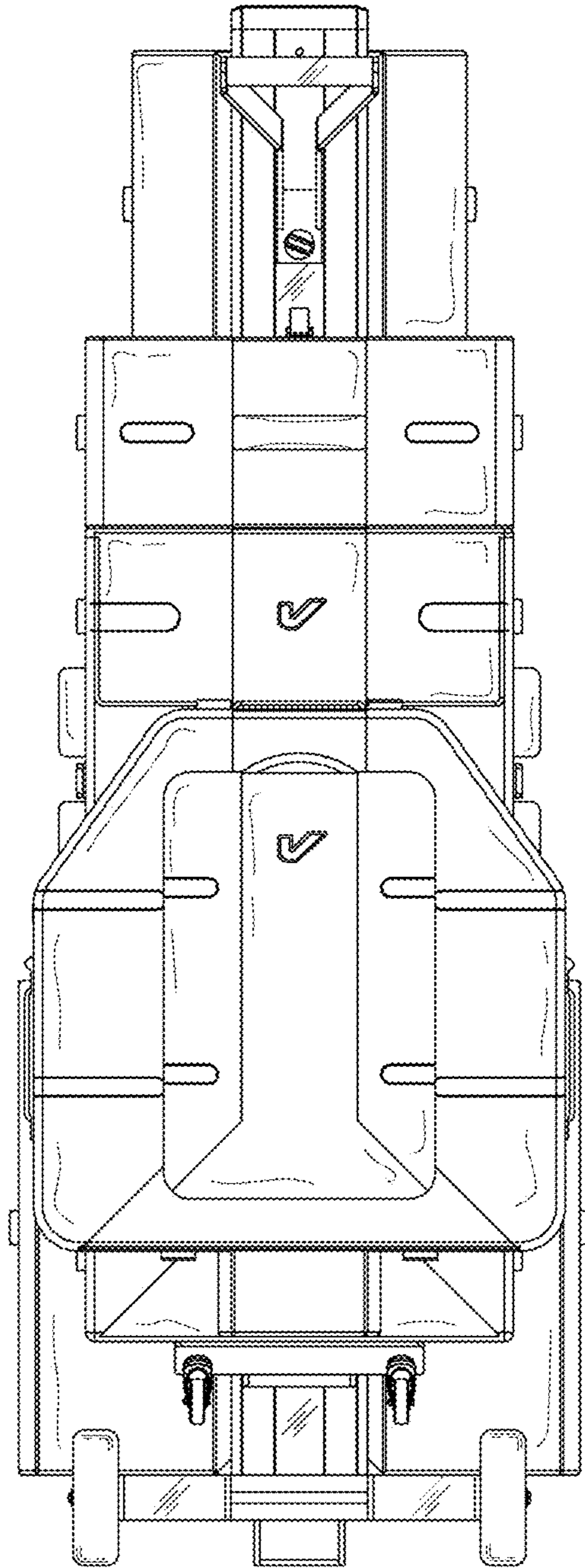


FIGURE 3

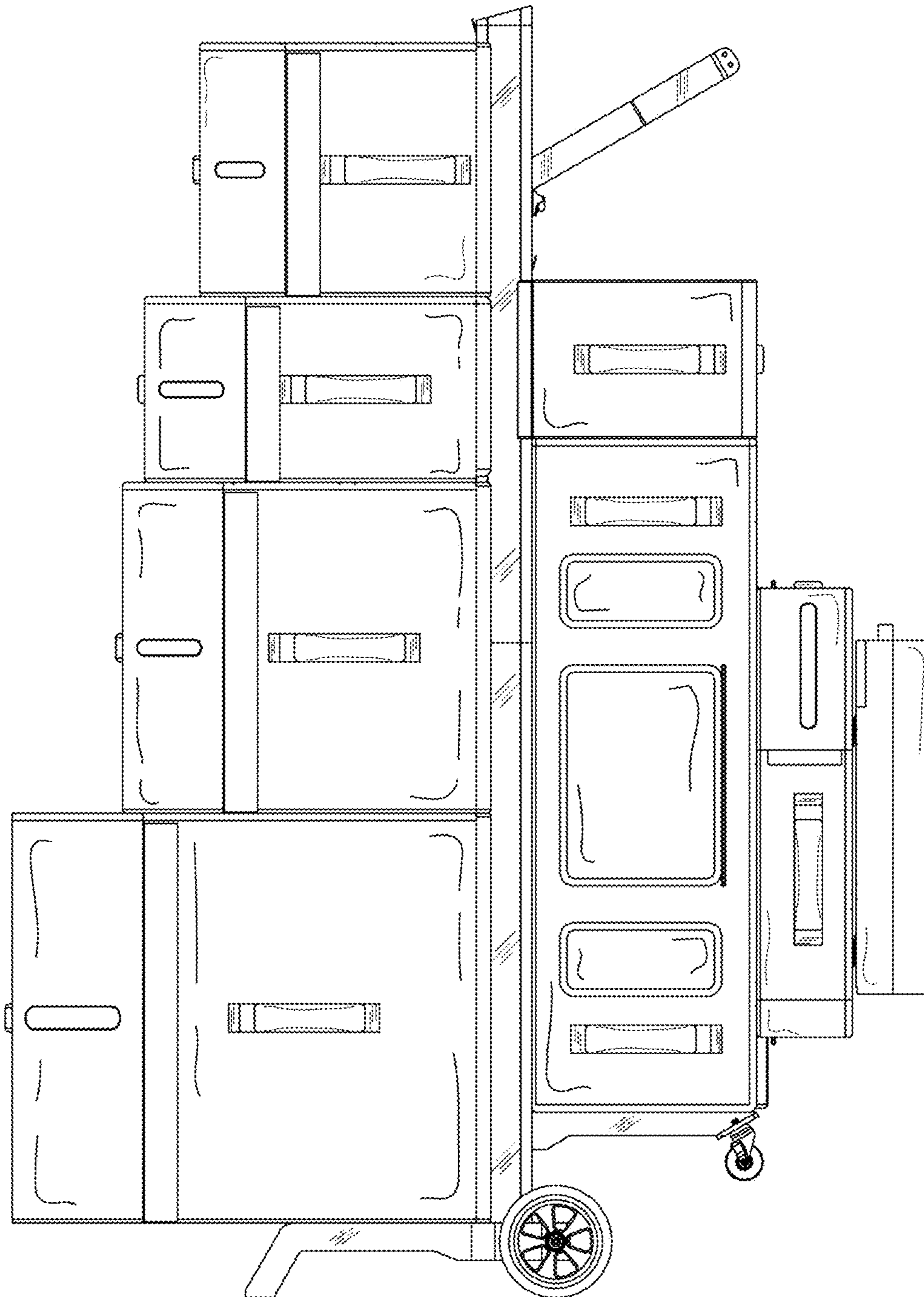


FIGURE 4

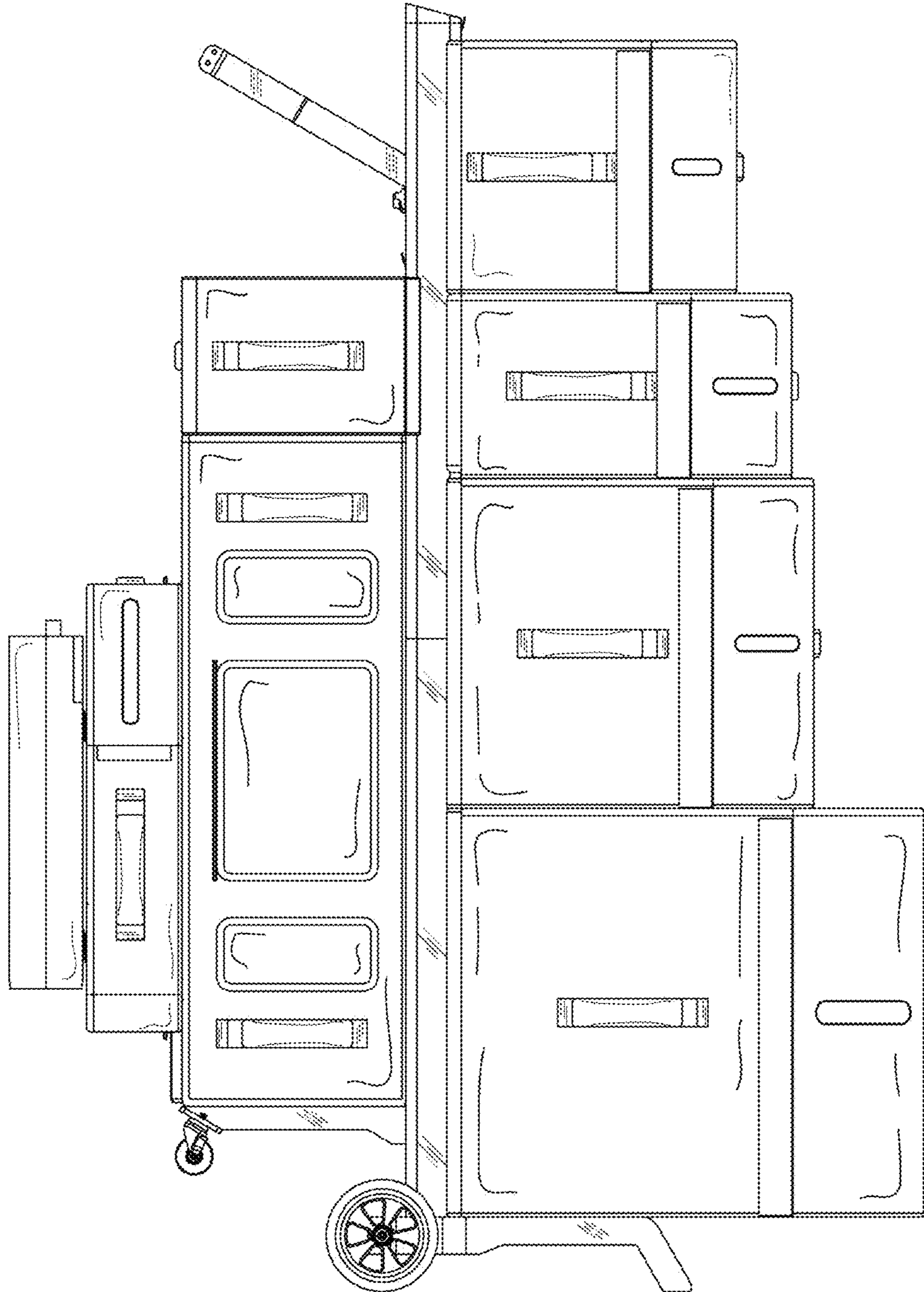


FIGURE 5

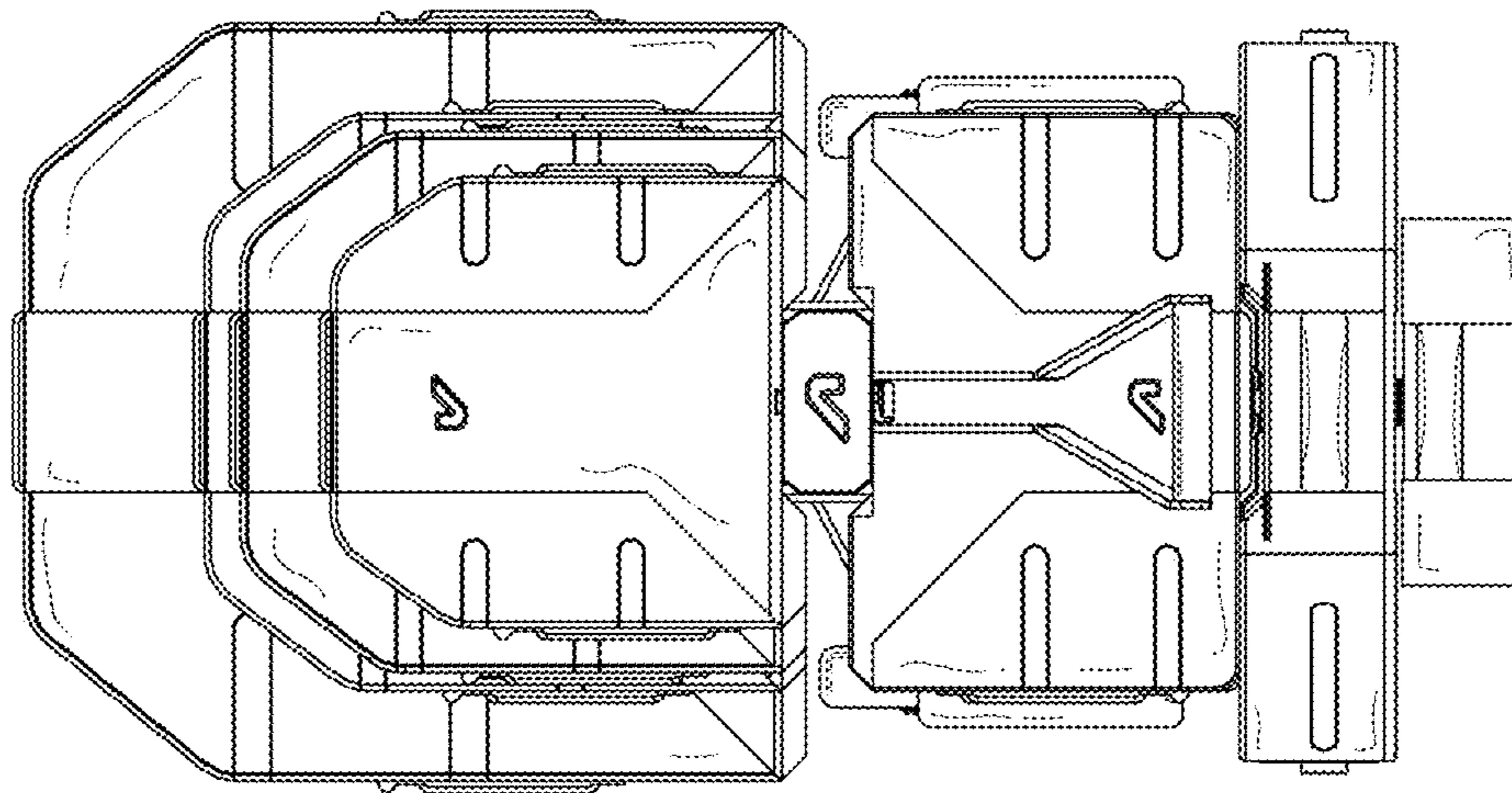


FIGURE 6

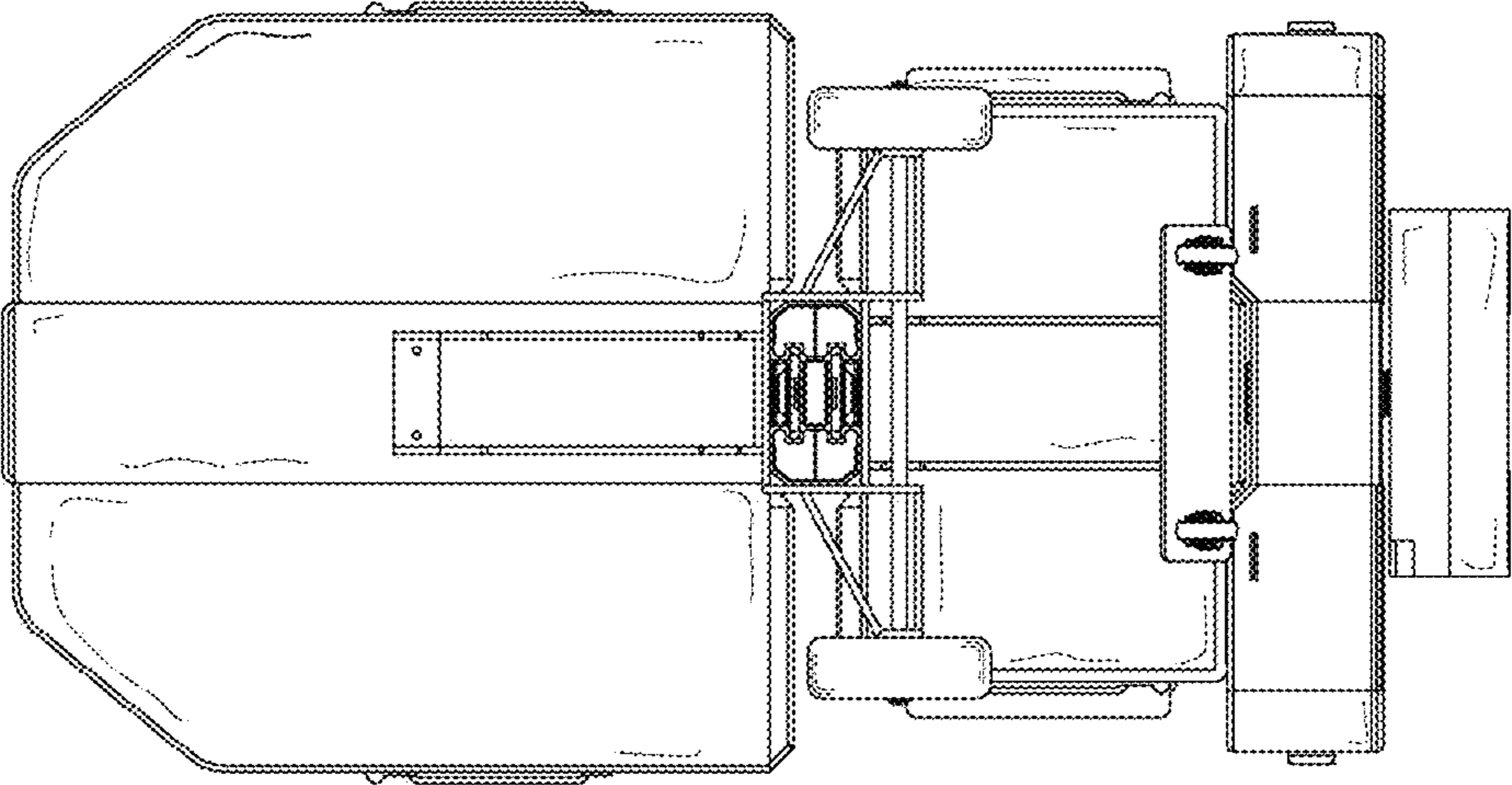


FIGURE 7