



US00D891081S

(12) **United States Design Patent** (10) **Patent No.:** **US D891,081 S**
Fruits (45) **Date of Patent:** **** Jul. 28, 2020**

(54) **PROTECTIVE CASE**
(71) Applicant: **Anne Hill Fruits**, Tulsa, OK (US)
(72) Inventor: **Anne Hill Fruits**, Tulsa, OK (US)
(**) Term: **15 Years**
(21) Appl. No.: **29/617,542**

5,979,661 A 11/1999 Sherman et al.
D433,170 S * 10/2000 Chan D26/38
D530,353 S * 10/2006 Jarosinski D16/135

(Continued)

Primary Examiner — Lilyana Bekic
Assistant Examiner — Mary Shannon Malley
(74) *Attorney, Agent, or Firm* — Head, Johnson,
Kachigian & Wilkinson, PC

(22) Filed: **Sep. 14, 2017**
(51) **LOC (12) Cl.** **03-01**
(52) **U.S. Cl.**
USPC **D3/201**

(57) **CLAIM**
The ornamental design for a protective case, as shown and described.

(58) **Field of Classification Search**
USPC D3/294, 295, 296, 297, 298, 299, 300,
D3/301, 302, 303, 304, 306, 315, 201,
D3/218, 247, 249; D14/250–251, 252,
D14/253, 480.7, 480.3; D16/134–136
CPC A45C 2011/002; A45C 2011/003; A45C
11/00; A45C 7/00; A45C 13/00; A45C
2013/025; A45C 13/005; A45C 13/123;
G06F 1/1628; G06F 1/1633; G06F
2200/1633; A45F 5/00; A45F 2200/05
See application file for complete search history.

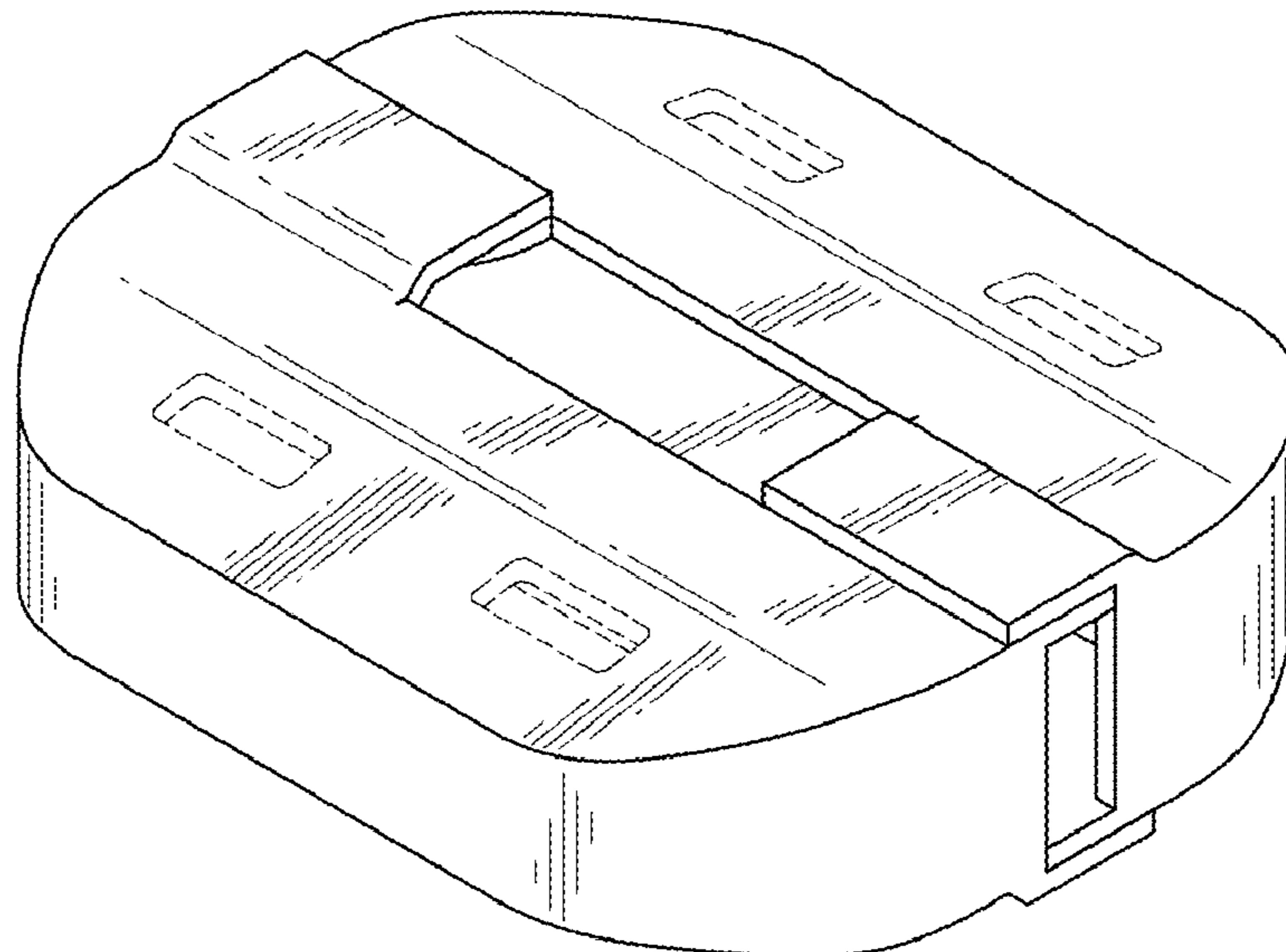
DESCRIPTION

FIG. 1 is a perspective view of the protective case in a closed, retracted position;
FIG. 2 is a perspective view of the protective case in an open position;
FIG. 3 is a perspective view of the protective case in an open, extended position;
FIG. 4 is a top view of the protective case in the closed, retracted position;
FIG. 5 is a bottom view thereof;
FIG. 6 is a front view thereof, where the back view is identical to the front view;
FIG. 7 is a right view thereof, where the left view is identical to the right view;
FIG. 8 is a top view of the protective case in the closed, extended position;
FIG. 9 is a bottom view thereof;
FIG. 10 is a front view thereof, where the back view is identical to the front view; and,
FIG. 11 is a right view thereof, where the left view is identical to the right view.
The broken lines showing a retractable magnifier depict environmental subject matter that forms no part of the claimed design. All other broken lines depict portions of the protective case that do not form part of the claimed design.

(56) **References Cited**
U.S. PATENT DOCUMENTS

399,603 A	3/1889	Domann
416,552 A	12/1889	Bique
2,196,688 A	4/1940	Warner et al.
2,600,345 A	6/1952	Venditti
2,657,793 A	11/1953	Goldshine
3,353,657 A	11/1967	Young
3,904,035 A	9/1975	Metzler et al.
4,037,940 A	7/1977	Yates et al.
4,371,077 A	2/1983	Solitt et al.
4,681,216 A	7/1987	Simkins
4,782,942 A	11/1988	Ashley et al.
5,467,869 A	11/1995	Elie et al.
5,642,234 A	6/1997	Altman et al.
5,754,349 A	5/1998	Hon

1 Claim, 7 Drawing Sheets



(56)

References Cited

U.S. PATENT DOCUMENTS

D534,563	S	*	1/2007	Yip	D16/135
D541,797	S	*	5/2007	Chen	D14/480.3
D543,055	S	*	5/2007	Au	D3/298
D553,355	S	*	10/2007	Mosteller	D3/247
D563,954	S	*	3/2008	Buchanon	D14/480.7
D569,607	S	*	5/2008	Calco	D3/201
8,177,062	B1		5/2012	Fruits		
D823,368	S	*	7/2018	Kessler	D16/135
D833,746	S	*	11/2018	Steele	D3/295
D844,986	S	*	4/2019	Zhao	D3/298
D852,506	S	*	7/2019	Clayton	D3/294
2013/0126531	A1	*	5/2013	Hynecek	H05K 5/0217 220/315

* cited by examiner

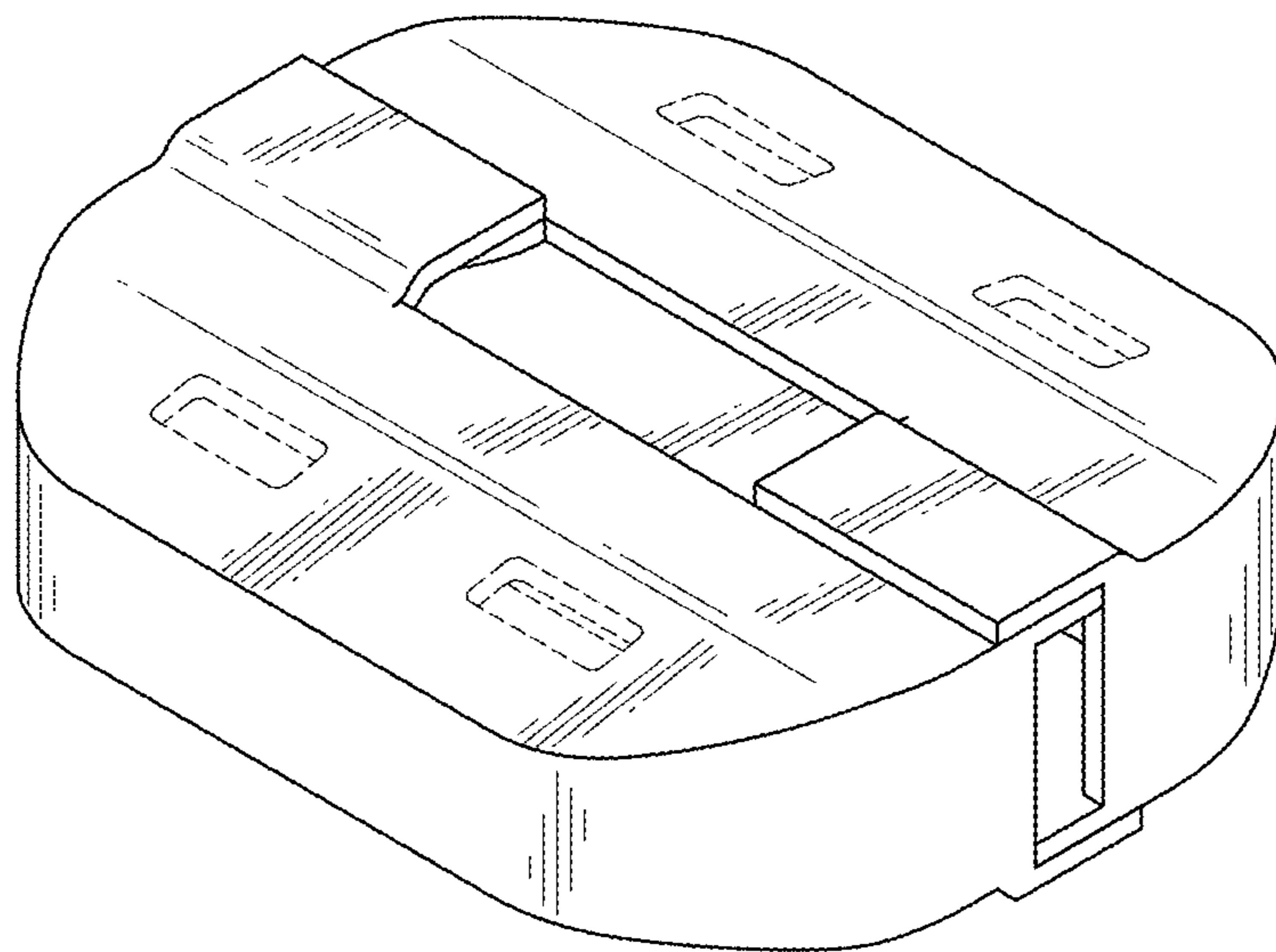


FIG. 1

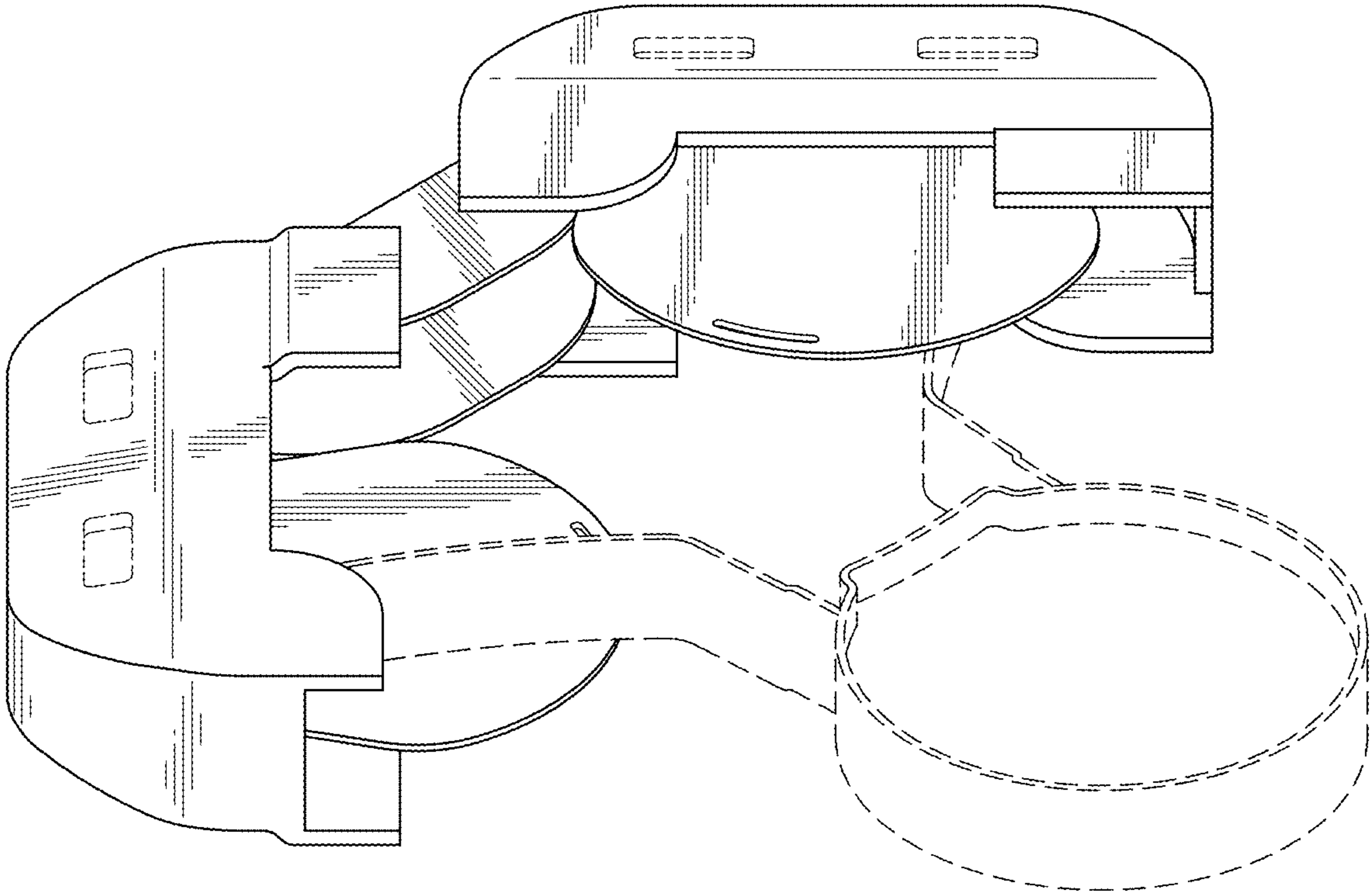


FIG. 2

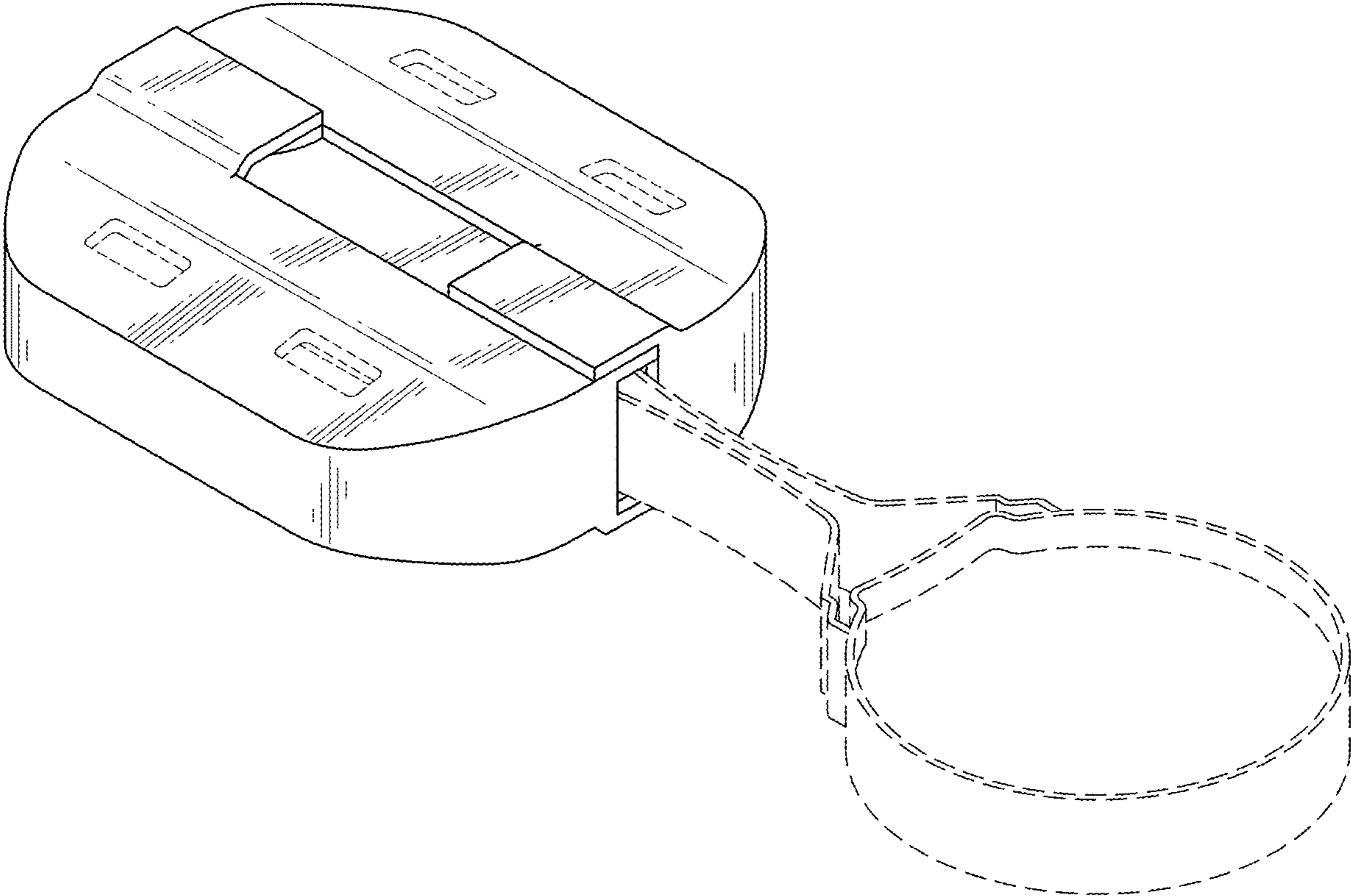


FIG. 3

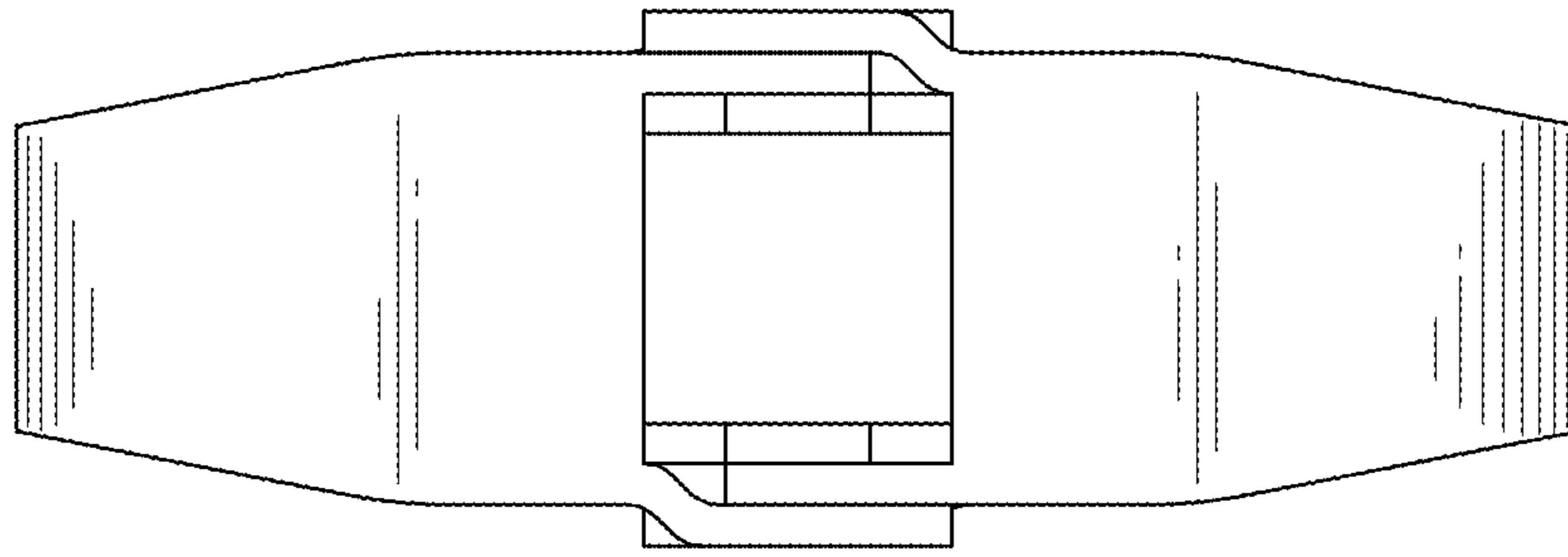


FIG. 4

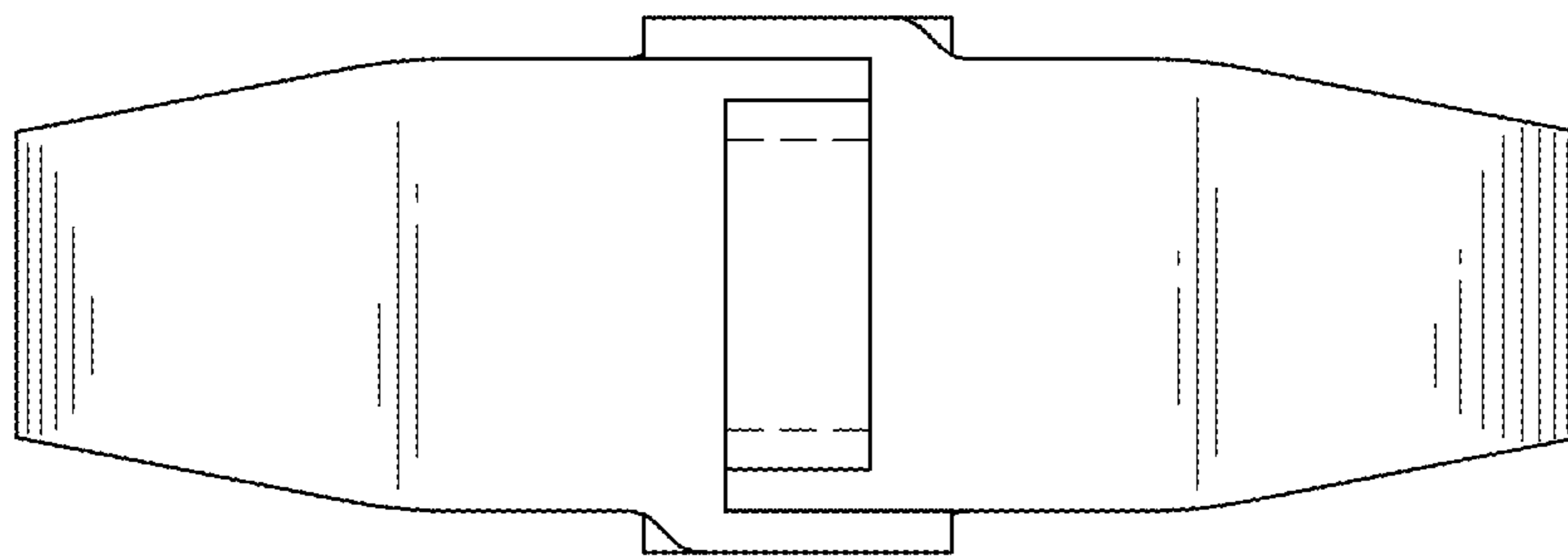


FIG. 5

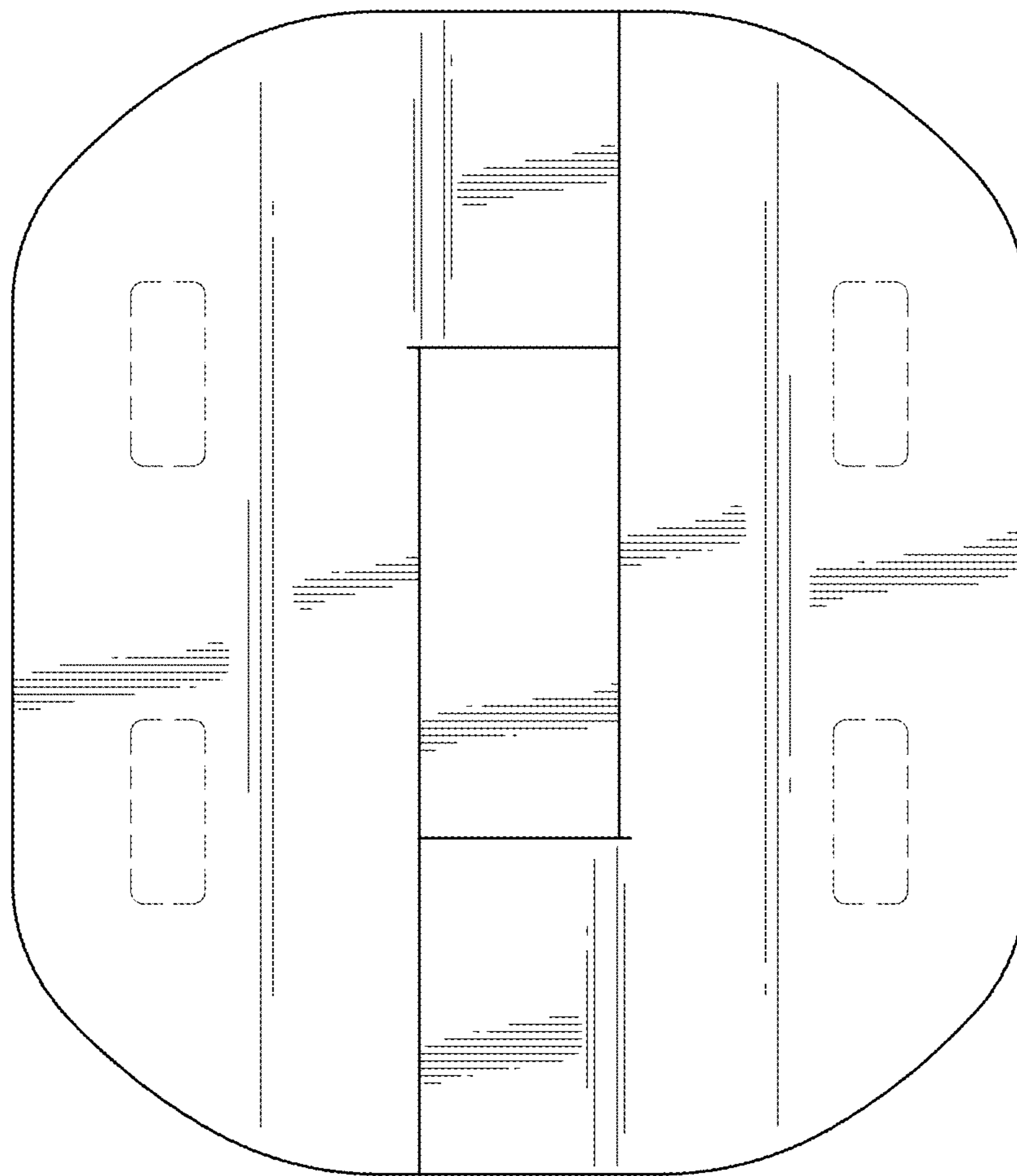


FIG. 6

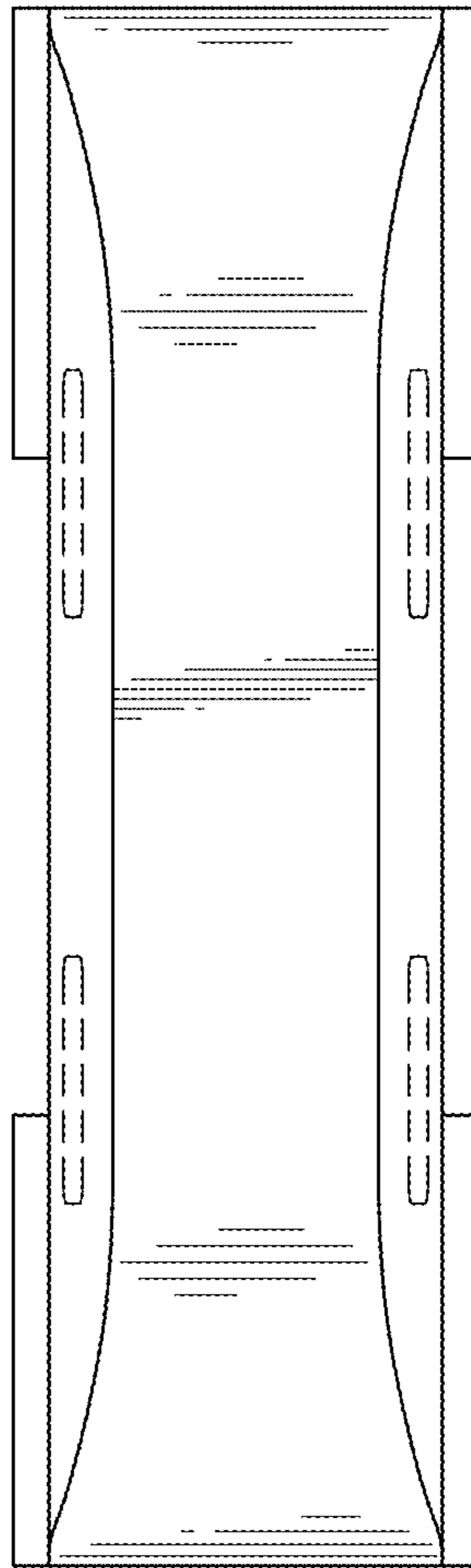


FIG. 7

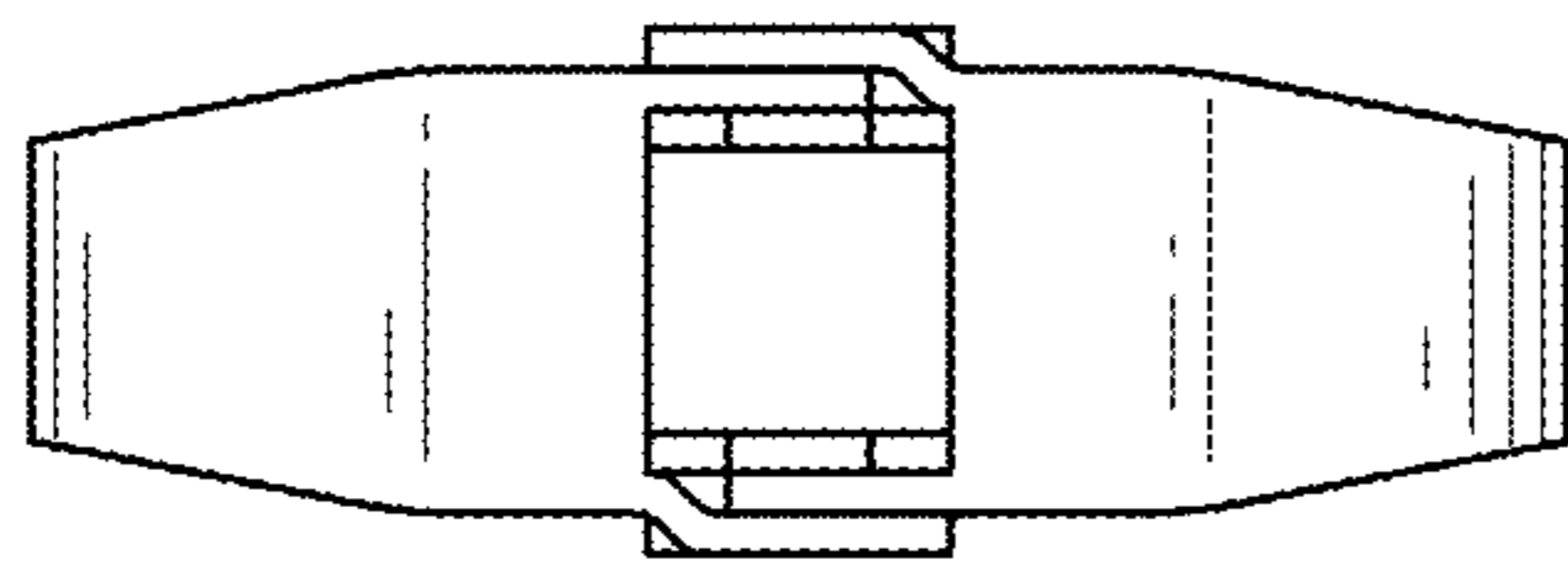


FIG. 8

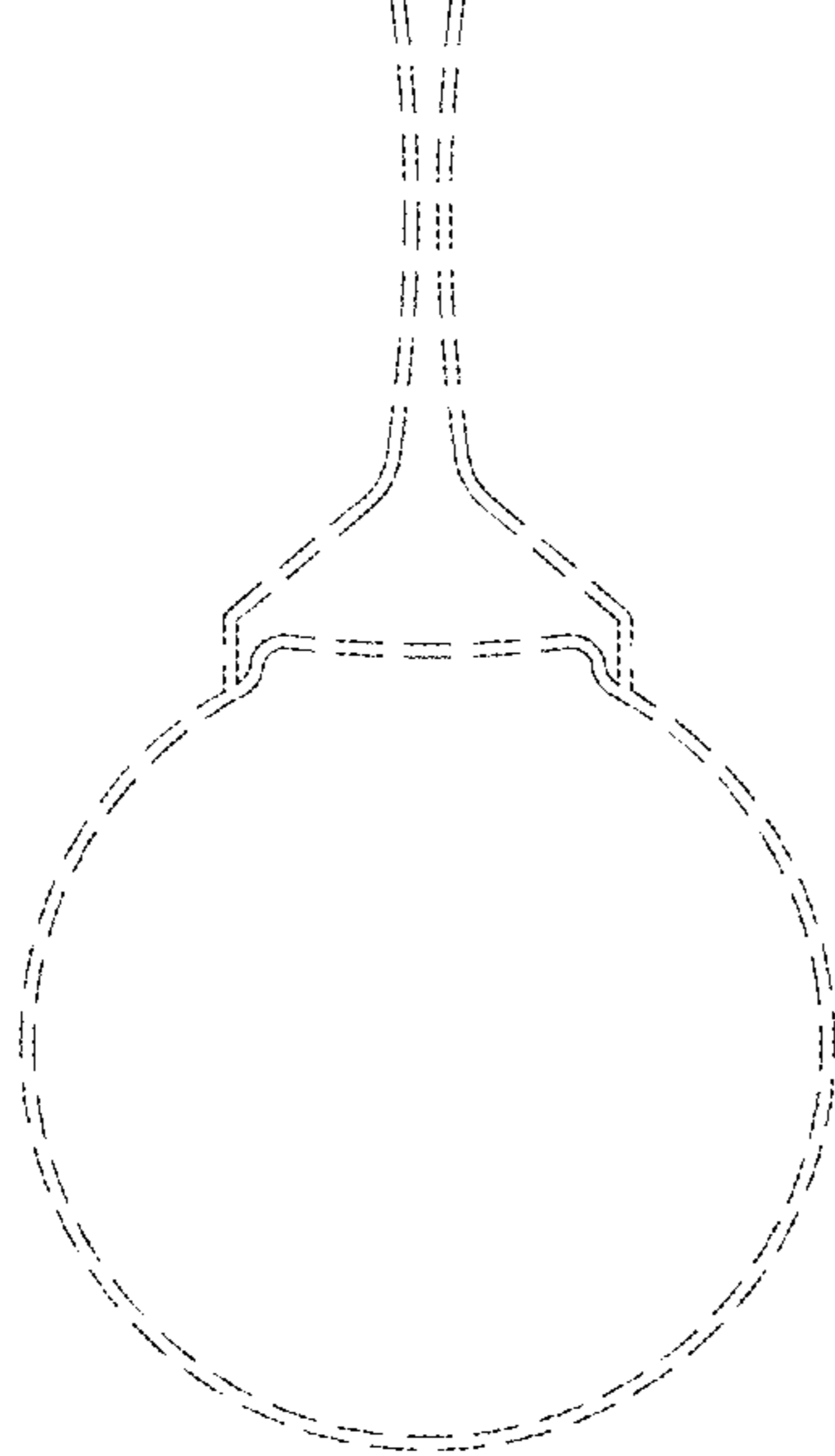
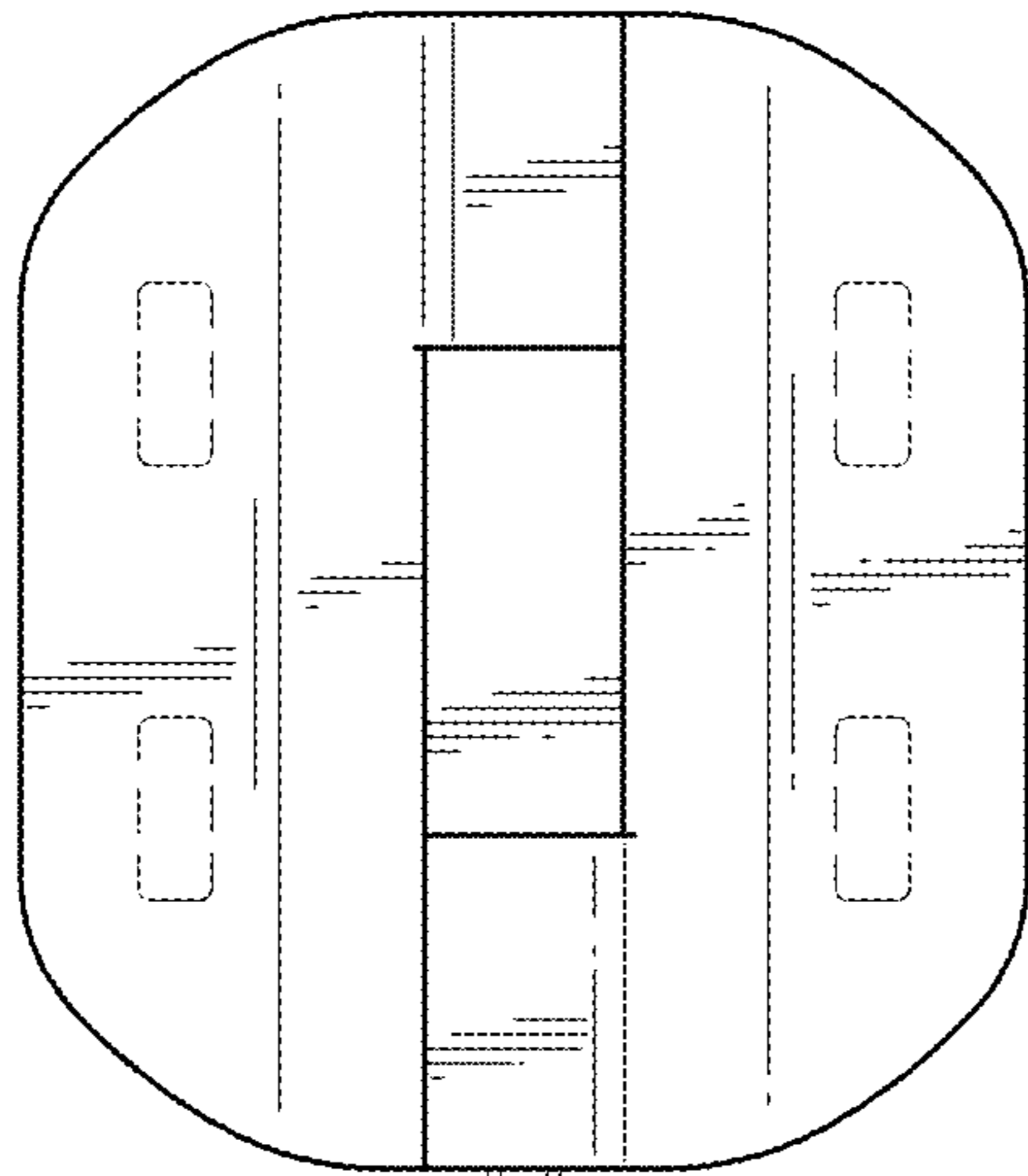


FIG. 10

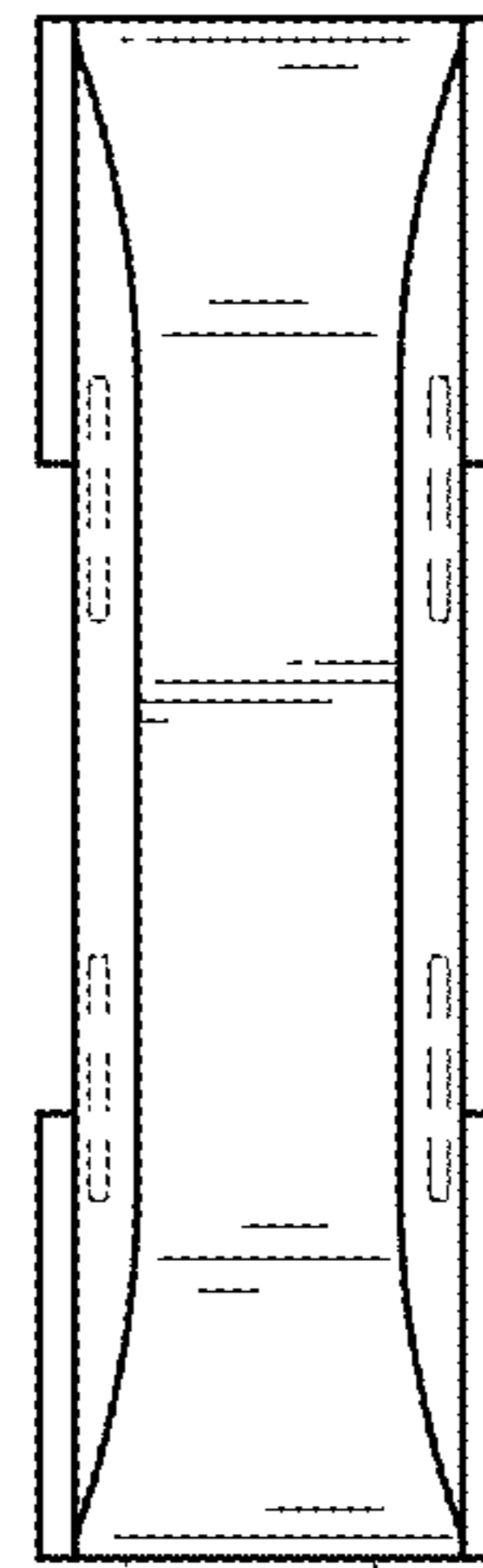


FIG. 11

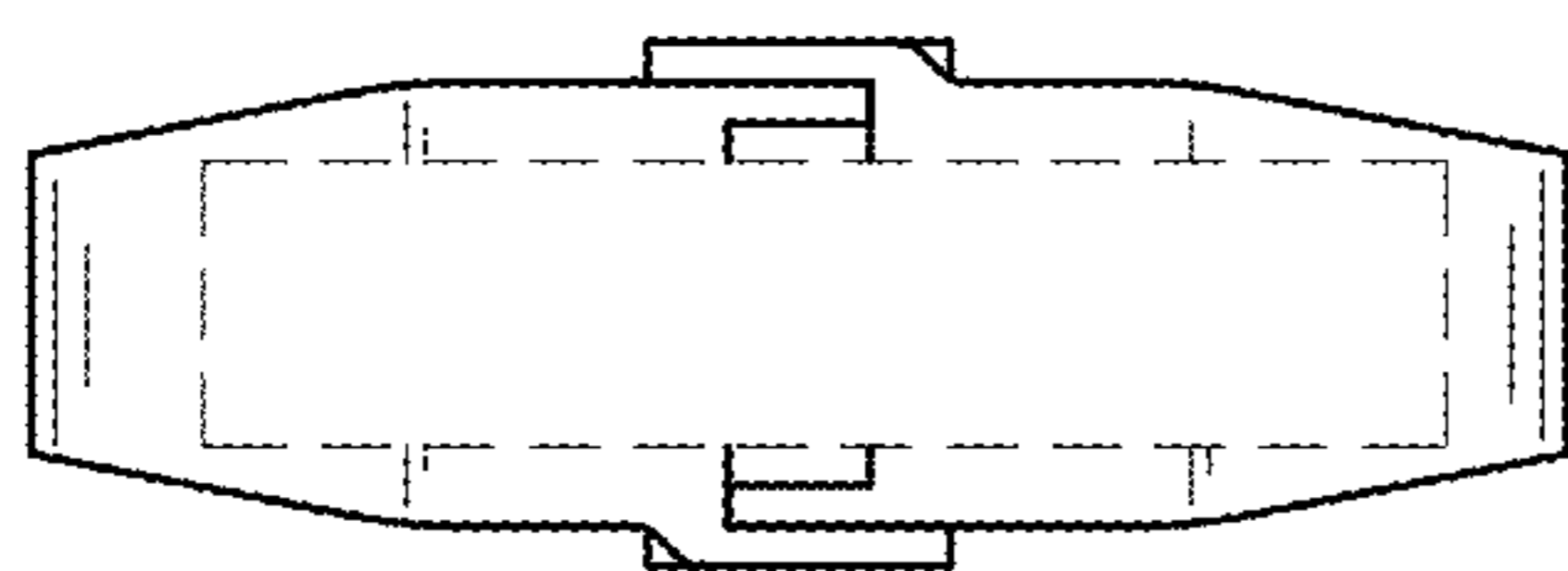


FIG. 9