



US00D891079S

(12) **United States Design Patent**  
**Nelson**

(10) **Patent No.:** **US D891,079 S**  
(45) **Date of Patent:** **\*\* Jul. 28, 2020**

- (54) **WALKING AID**
- (71) Applicant: **Craig Edward Nelson**, Seattle, WA  
(US)
- (72) Inventor: **Craig Edward Nelson**, Seattle, WA  
(US)
- (\*\*) Term: **15 Years**
- (21) Appl. No.: **29/637,391**
- (22) Filed: **Feb. 17, 2018**
- (51) **LOC (12) Cl.** ..... **03-01**
- (52) **U.S. Cl.**  
USPC ..... **D3/7**
- (58) **Field of Classification Search**  
USPC ..... D3/5, 6, 7, 12, 16; D6/709, 712;  
D21/725  
CPC .... A45B 1/00; A45B 3/00; A45B 7/00; A45B  
9/00; A45B 2009/005; A45B 2009/007;  
A45B 2200/05; A45B 2200/055  
See application file for complete search history.

(56) **References Cited**

**U.S. PATENT DOCUMENTS**

- 430,388 A \* 6/1890 Kinst et al. .... A63B 60/34  
473/564
- D49,909 S \* 11/1916 Riegel et al. .... D3/7
- D83,952 S \* 4/1931 Carley et al. .... D3/7
- 1,959,169 A \* 5/1934 Marinacci ..... A45B 3/00  
446/193
- 2,435,650 A \* 2/1948 Greene ..... A45B 3/04  
135/66
- D207,764 S \* 5/1967 Lozo et al. .... 135/66
- 4,106,521 A \* 8/1978 Thomas ..... A61H 3/02  
135/67
- 4,253,479 A \* 3/1981 Laurent ..... A45B 3/00  
135/69
- D261,199 S \* 10/1981 Dockery ..... D3/7
- D285,861 S \* 9/1986 Jackson ..... D3/7
- D290,784 S \* 7/1987 Moshiri ..... D3/7

- 4,796,648 A \* 1/1989 Goulter ..... A45B 9/00  
135/65
- 4,958,650 A \* 9/1990 Dale ..... A45B 9/00  
135/65
- D342,828 S \* 1/1994 Steinbach ..... D3/7
- D450,440 S \* 11/2001 Clarke ..... D3/6
- D457,414 S \* 5/2002 Spångmyr ..... D15/142
- 7,293,827 B2 \* 11/2007 Schrader ..... A45B 3/00  
135/66
- D594,222 S \* 6/2009 Antrim ..... D3/7
- D622,497 S \* 8/2010 Branton ..... D3/7
- D690,927 S \* 10/2013 Jones ..... D3/7
- D698,691 S \* 2/2014 Schmucker ..... D11/131
- D699,938 S \* 2/2014 Mayer ..... D3/7
- D714,407 S \* 9/2014 Santorelli ..... D21/725

(Continued)

**OTHER PUBLICATIONS**

These are U.S. Appl. No. 29/635,713 and U.S. Appl. No. 29/637,090 . . . which are currently in prosecution.

*Primary Examiner* — Steven J Czyz

(57) **CLAIM**

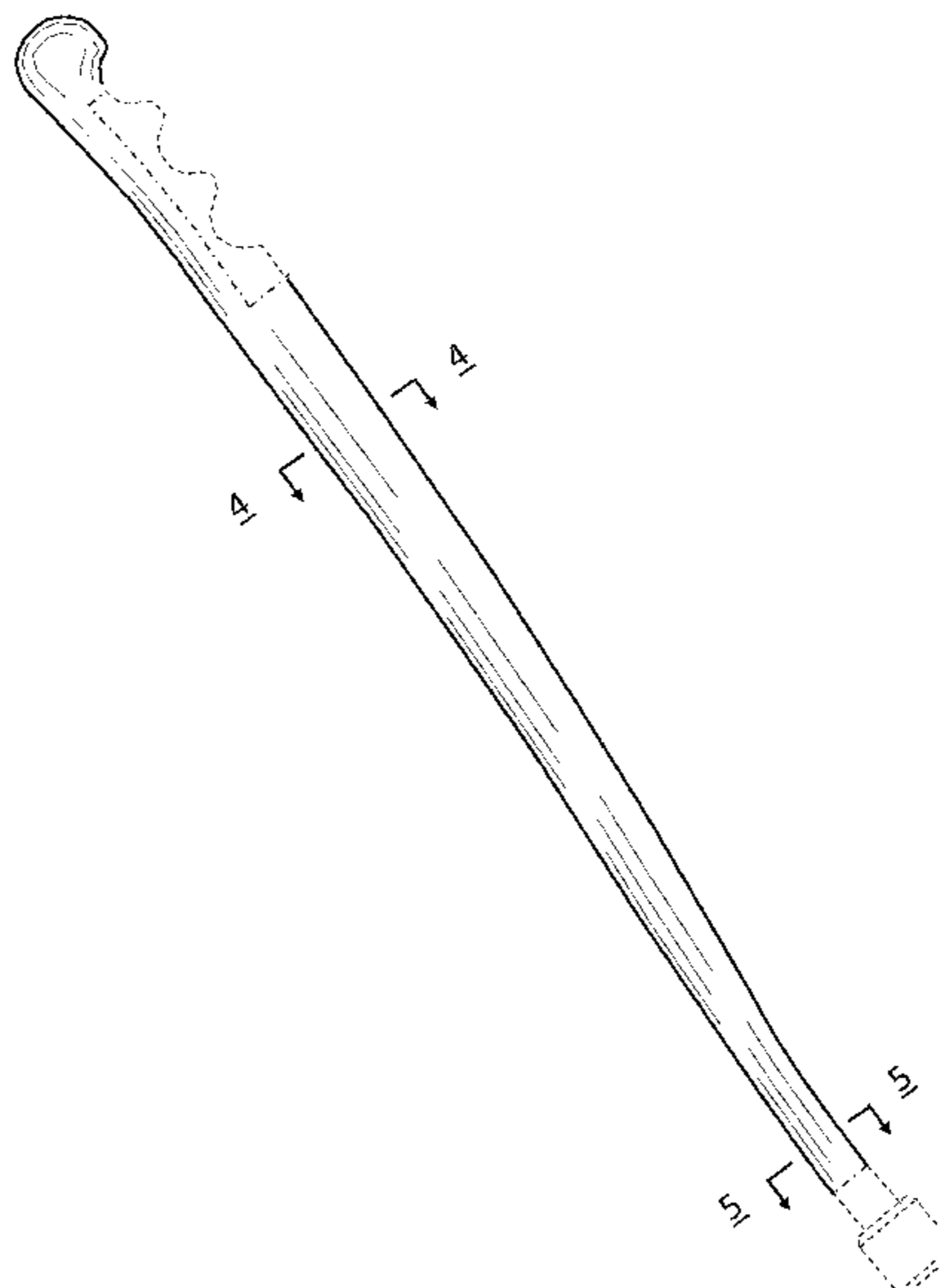
I claim the ornamental design for a walking aid, as shown and described.

**DESCRIPTION**

FIG. 1 is a bottom view of the walking aid  
 FIG. 2 is a top view thereof  
 FIG. 3 is a left-side view, with the right-side view being a mirror image thereof  
 FIG. 4 is a cross-sectional view taken along line 4-4 of FIG. 3; and,  
 FIG. 5 is a cross-sectional view taken along line 5-5 of FIG. 3.

The dash-dash-dash broken lines depict portions of the article that form no part of the claimed design.  
 The dot-dash-dot lines indicate the boundary of the claim and form no part of the claimed design.

**1 Claim, 3 Drawing Sheets**



(56)

**References Cited**

U.S. PATENT DOCUMENTS

9,016,297 B2 \* 4/2015 Salomon ..... A45B 1/02  
135/66  
9,044,072 B2 \* 6/2015 Lindsay, Jr. .... A45B 3/14  
D740,015 S \* 10/2015 Berberian ..... D3/7  
D740,543 S \* 10/2015 Winters ..... D3/5  
D740,545 S \* 10/2015 Brown ..... D3/7  
D747,867 S \* 1/2016 Woodall ..... D3/16  
D767,876 S \* 10/2016 Elliott ..... D3/7  
9,706,818 B2 \* 7/2017 Knopow ..... B29C 51/105

\* cited by examiner

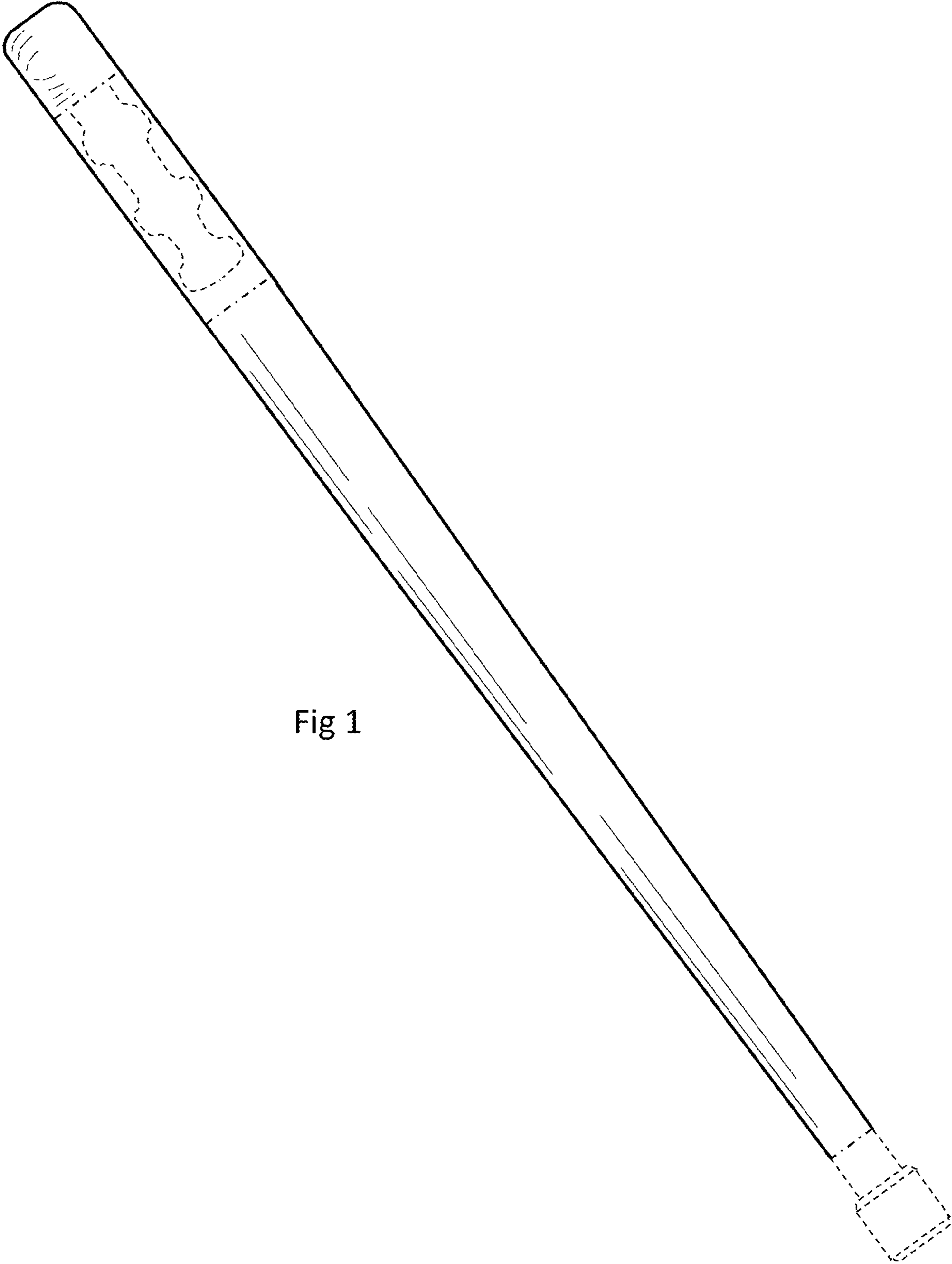


Fig 1

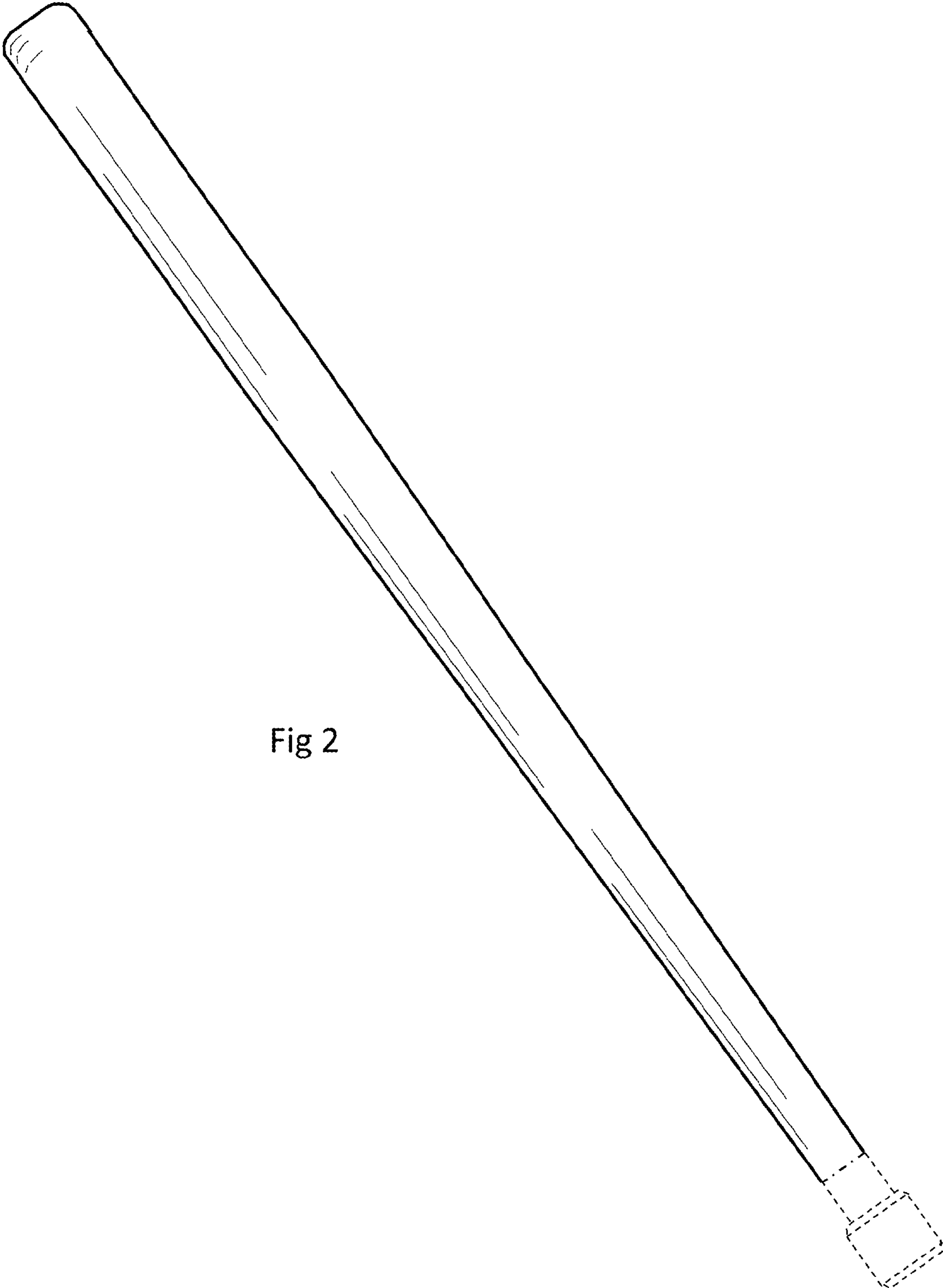


Fig 2

