

US00D891078S

(12) **United States Design Patent** (10) **Patent No.:** **US D891,078 S**
Akin et al. (45) **Date of Patent:** **** Jul. 28, 2020**

(54) **UMBRELLA WITH SOLAR PANELS**

(71) Applicant: **ZON**, El Segundo, CA (US)

(72) Inventors: **Sarah Akin**, Manhattan Beach, CA (US); **David Johnson**, San Francisco, CA (US)

(73) Assignee: **ZON**, Redondo Beach, CA (US)

(**) Term: **15 Years**

(21) Appl. No.: **29/680,498**

(22) Filed: **Feb. 15, 2019**

4,527,721 A 7/1985 Goldstein
D336,982 S 7/1993 Johnson
D373,465 S 9/1996 Chipman
D373,467 S 9/1996 Chipman
D373,468 S 9/1996 Dubinsky
D396,741 S 8/1998 Vitali et al.
D443,409 S 6/2001 Pilz et al.
6,830,058 B2 12/2004 Li
6,923,058 B2 8/2005 Nieman et al.
7,000,624 B2 2/2006 Chang
7,013,903 B2 3/2006 Li
D530,269 S 10/2006 Fowler et al.
D561,460 S 2/2008 Peterson
7,562,667 B2 7/2009 Li
D600,200 S 9/2009 Dimov et al.
D668,443 S 10/2012 Sims, II

(Continued)

Related U.S. Application Data

(60) Division of application No. 29/567,295, filed on Jun. 7, 2016, now Pat. No. Des. 840,671, which is a division of application No. 29/484,513, filed on Mar. 10, 2014, now Pat. No. Des. 758,062, which is a continuation-in-part of application No. 29/467,880, filed on Sep. 24, 2013, now Pat. No. Des. 748,905.

(51) **LOC (12) Cl.** **03-03**

(52) **U.S. Cl.**
USPC **D3/5; D3/10; D13/102**

(58) **Field of Classification Search**
USPC D3/5, 10; 135/15.1, 33.2, 20.1; 320/101; D13/102
CPC ... A45B 23/00; A45B 3/04; A45B 2200/1018; A45B 2200/1027; H02J 7/0047; H02J 7/35
See application file for complete search history.

(56) **References Cited**

U.S. PATENT DOCUMENTS

1,397,789 A 11/1921 Stonestreet
D151,655 S 11/1948 Preaus
D162,617 S 3/1951 Benivegna
D248,042 S 5/1978 Ouelette
4,193,389 A 3/1980 Ku

OTHER PUBLICATIONS

Solar Powered Umbrella with USB Ports Product Reference, Apr. 5, 2013, 17 pages.

Primary Examiner — John Windmuller

(74) *Attorney, Agent, or Firm* — Aka Chan LLP

(57) **CLAIM**

The ornamental design for an umbrella with solar panels, as shown and described.

DESCRIPTION

These applications are incorporated by reference along with U.S. patent application Ser. No. 29/461,658, filed Jul. 26, 2013.

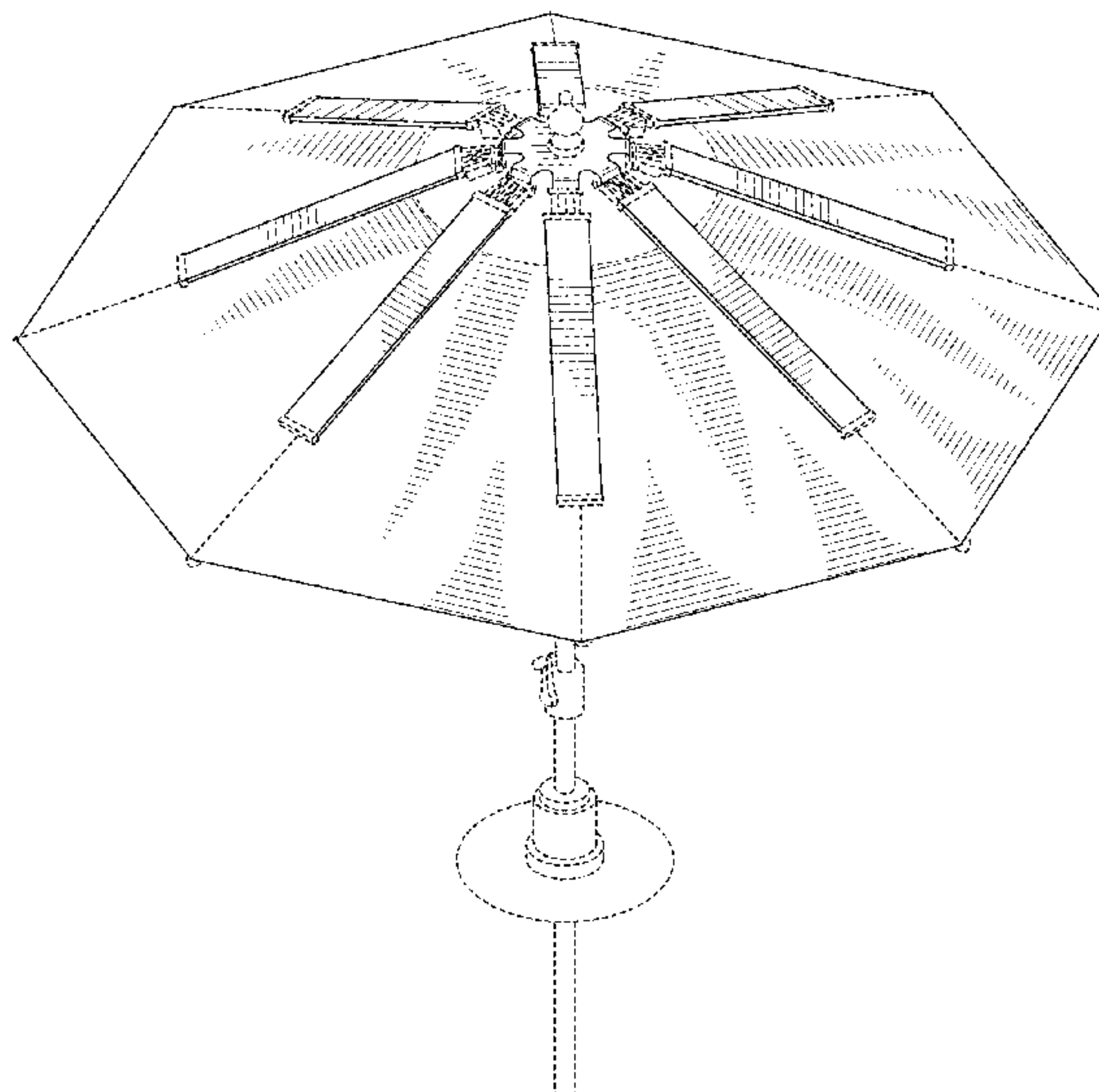
FIG. 1 shows a perspective view of a design for an umbrella with solar panels.

FIG. 2 shows a top view of FIG. 1; and,

FIG. 3 shows a side view of FIG. 1.

The broken lines in the figures depict portions of the umbrella with solar panels that form no part of the claimed design.

1 Claim, 3 Drawing Sheets



(56)

References Cited

U.S. PATENT DOCUMENTS

| | | | | |
|--------------|------|--------|-------------------|------------|
| 8,360,079 | B2 | 1/2013 | Li | |
| D680,949 | S | 4/2013 | Swatek | |
| D681,548 | S | 5/2013 | Zhang et al. | |
| D688,621 | S | 8/2013 | Mozzardi et al. | |
| D701,828 | S | 4/2014 | Garrett-Schesch | |
| D701,829 | S | 4/2014 | Garrett-Schesch | |
| 8,695,614 | B2 | 4/2014 | Chaimovski et al. | |
| D724,524 | S | 3/2015 | Garrett-Schesch | |
| D728,466 | S | 5/2015 | Ehram et al. | |
| 9,088,181 | B2 | 7/2015 | Akin et al. | |
| 10,051,931 | B2 * | 8/2018 | Zadie | F24S 25/10 |
| 10,306,959 | B2 * | 6/2019 | Rosedale | A45B 23/00 |
| 2005/0161067 | A1 | 7/2005 | Hollins | |
| 2009/0058354 | A1 | 3/2009 | Harrison | |

* cited by examiner

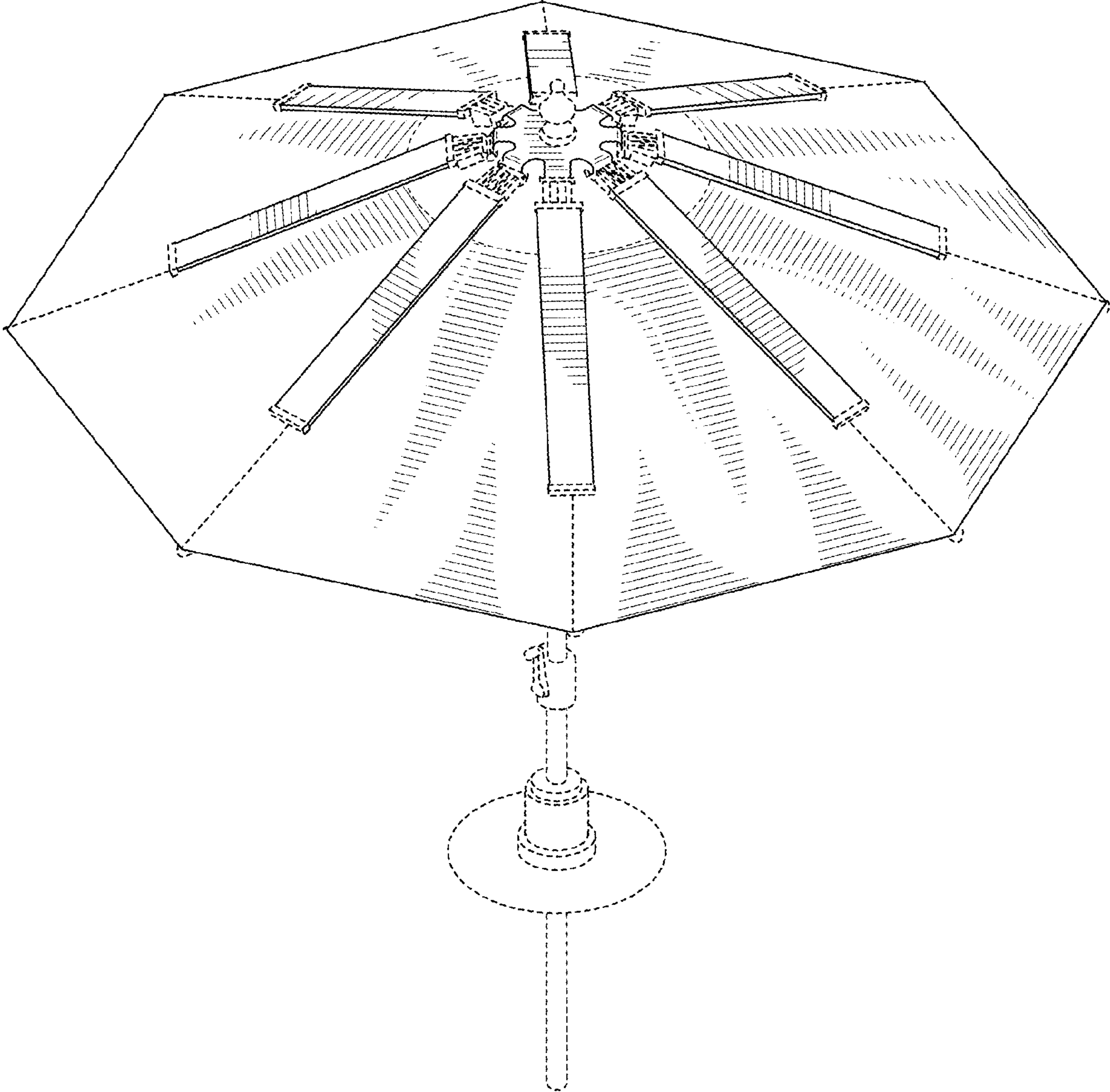


FIG. 1

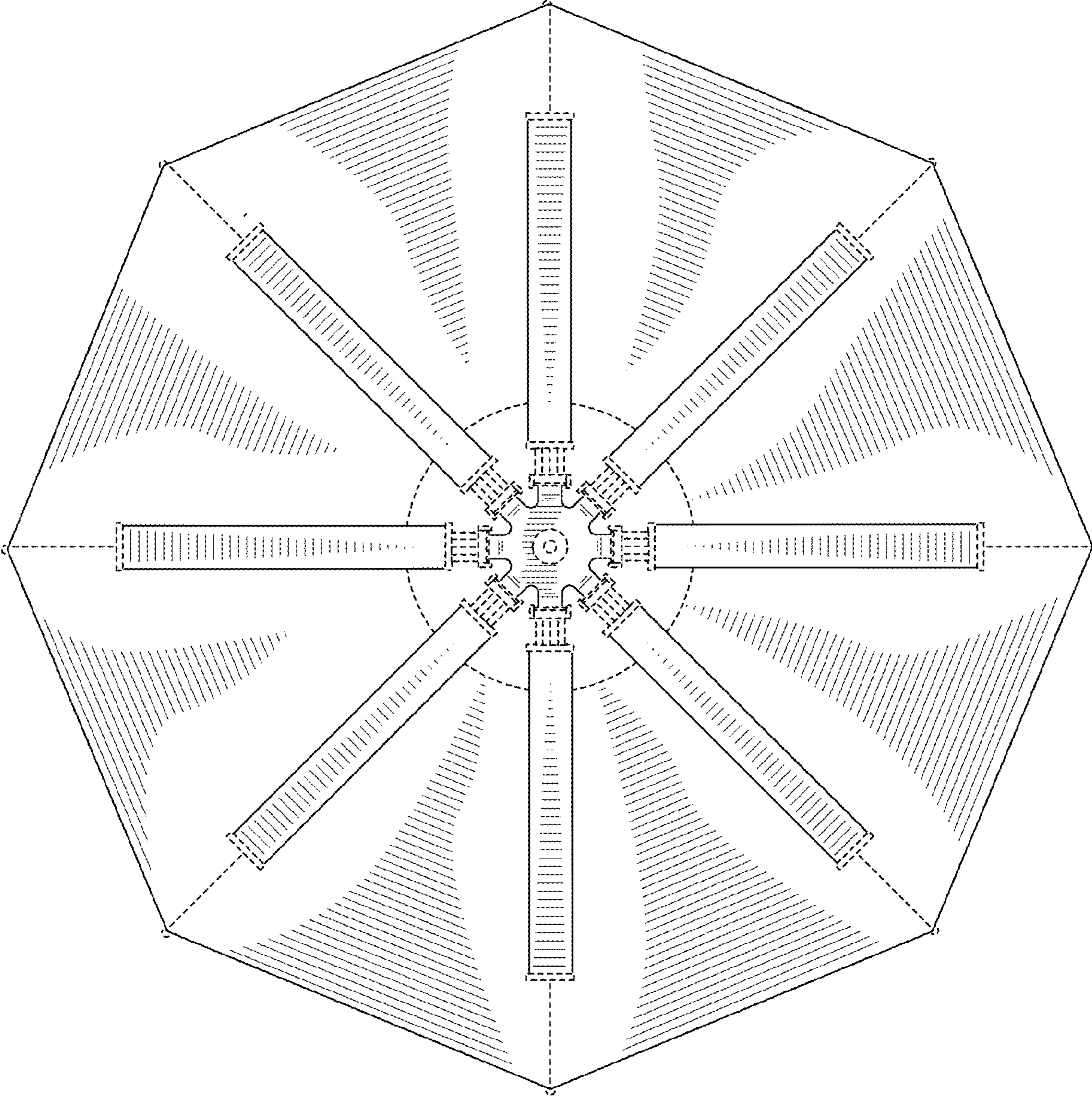


FIG. 2

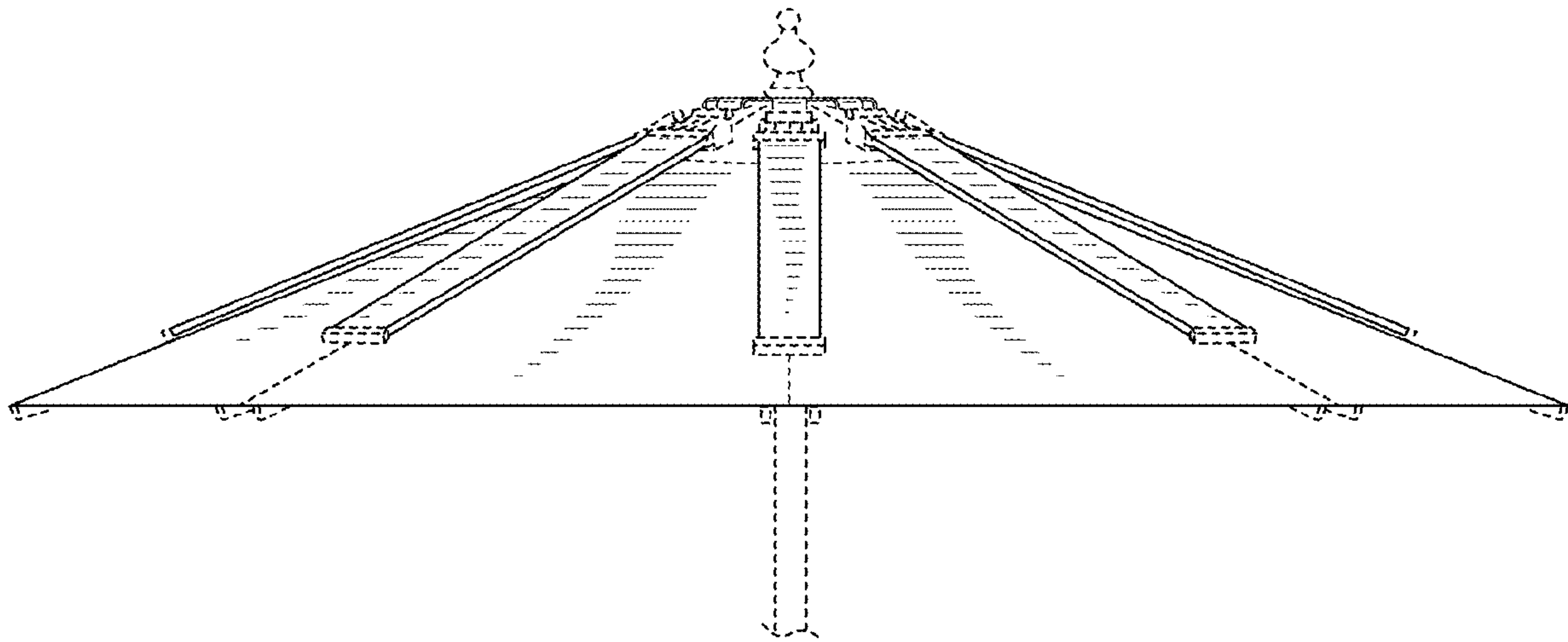


FIG. 3