



US00D891073S

(12) **United States Design Patent** (10) **Patent No.:** **US D891,073 S**
Barerra et al. (45) **Date of Patent:** **** Jul. 28, 2020**

(54) **FOOTWEAR**

(71) Applicants: **Dennice Quijano Barerra**, San Francisco, CA (US); **Timothy Brown**, San Francisco, CA (US); **Lisa Halbower-Fenton**, San Francisco, CA (US); **James Romero**, San Francisco, CA (US); **Talia Rapier**, San Francisco, CA (US); **April Gourdie**, San Francisco, CA (US); **Jad Finck**, San Francisco, CA (US); **Jamie S. McLellan**, San Francisco, CA (US)

(72) Inventors: **Dennice Quijano Barerra**, San Francisco, CA (US); **Timothy Brown**, San Francisco, CA (US); **Lisa Halbower-Fenton**, San Francisco, CA (US); **James Romero**, San Francisco, CA (US); **Talia Rapier**, San Francisco, CA (US); **April Gourdie**, San Francisco, CA (US); **Jad Finck**, San Francisco, CA (US); **Jamie S. McLellan**, San Francisco, CA (US)

(73) Assignee: **Allbirds, Inc.**, San Francisco, CA (US)

(**) Term: **15 Years**

(21) Appl. No.: **29/672,823**

(22) Filed: **Dec. 10, 2018**

(51) **LOC (12) Cl.** **02-04**

(52) **U.S. Cl.**
USPC **D2/971**

(58) **Field of Classification Search**
USPC D2/896, 925-942, 971; D5/47, 49
CPC A43B 21/00; A43B 21/02; A43B 21/06;
A43B 9/14; A43B 1/0045; A43B 13/10;
A43B 13/12; A43B 23/06; A43B 23/24;
A43B 23/07; A43B 1/0036; A43B 5/12
See application file for complete search history.

(56) **References Cited**

U.S. PATENT DOCUMENTS

D25,492 S *	5/1896	Pepper et al.	D5/47
D85,523 S *	11/1931	Gross	D5/47
D86,612 S *	3/1932	Laird	D2/974
D109,853 S *	5/1938	Rosenberg	D2/919
D149,685 S *	5/1948	Sandler	D2/935
D150,178 S *	7/1948	Walters	D2/920
D150,729 S *	8/1948	Sandler	D2/927
D166,090 S *	3/1952	Maling	D2/939
D170,946 S *	11/1953	Sandler	D2/923
D279,517 S *	7/1985	Foldes	D2/940
D500,191 S *	12/2004	Belley	D2/971
D527,513 S *	9/2006	Della Valle	D2/919
D571,548 S *	6/2008	Seamans	D2/925
D593,307 S *	6/2009	Belley	D2/969
D599,093 S *	9/2009	Issler	D2/925
D668,438 S *	10/2012	Millieret	D2/925

(Continued)

Primary Examiner — Dominic V Simone

(74) *Attorney, Agent, or Firm* — Schwabe, Williamson & Wyatt, P.C.

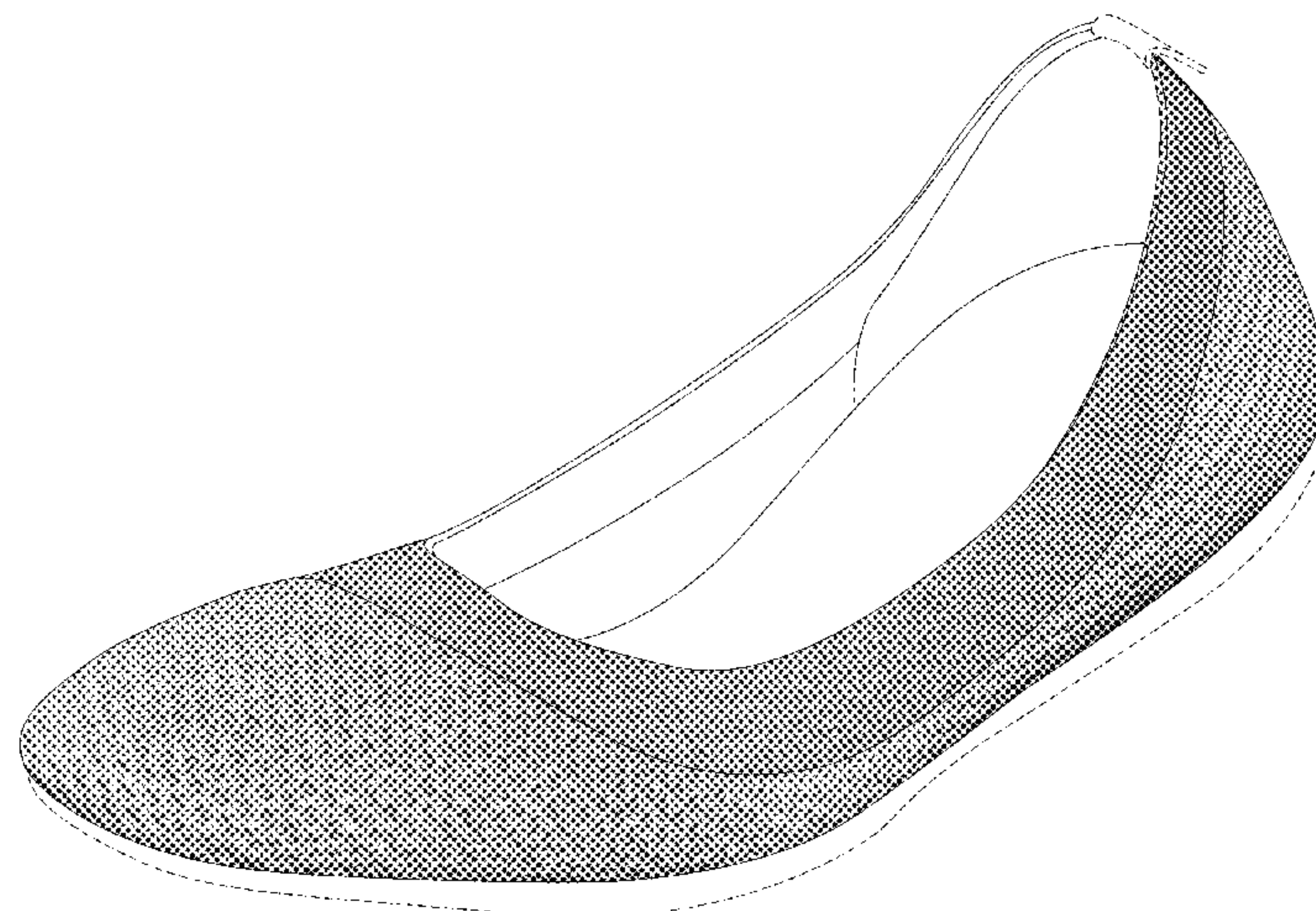
(57) **CLAIM**

We claim the ornamental design for footwear, as shown and described.

DESCRIPTION

FIG. 1 is a perspective view of footwear, showing our new design;
FIG. 2 is a left side view thereof;
FIG. 3 is a right side view thereof;
FIG. 4 is a front view thereof;
FIG. 5 is a back view thereof;
FIG. 6 is a top view thereof; and,
FIG. 7 is a bottom view thereof.

(Continued)



The dashed lines are included for illustrating environmental structure and form no part of the claimed design.

1 Claim, 6 Drawing Sheets

(56)

References Cited

U.S. PATENT DOCUMENTS

D730,030 S *	5/2015	Della Valle	D2/939
D730,635 S *	6/2015	Lin	D2/939
D741,581 S *	10/2015	Del Biondi	D2/939
D814,165 S *	4/2018	McClaskie	D2/971

* cited by examiner

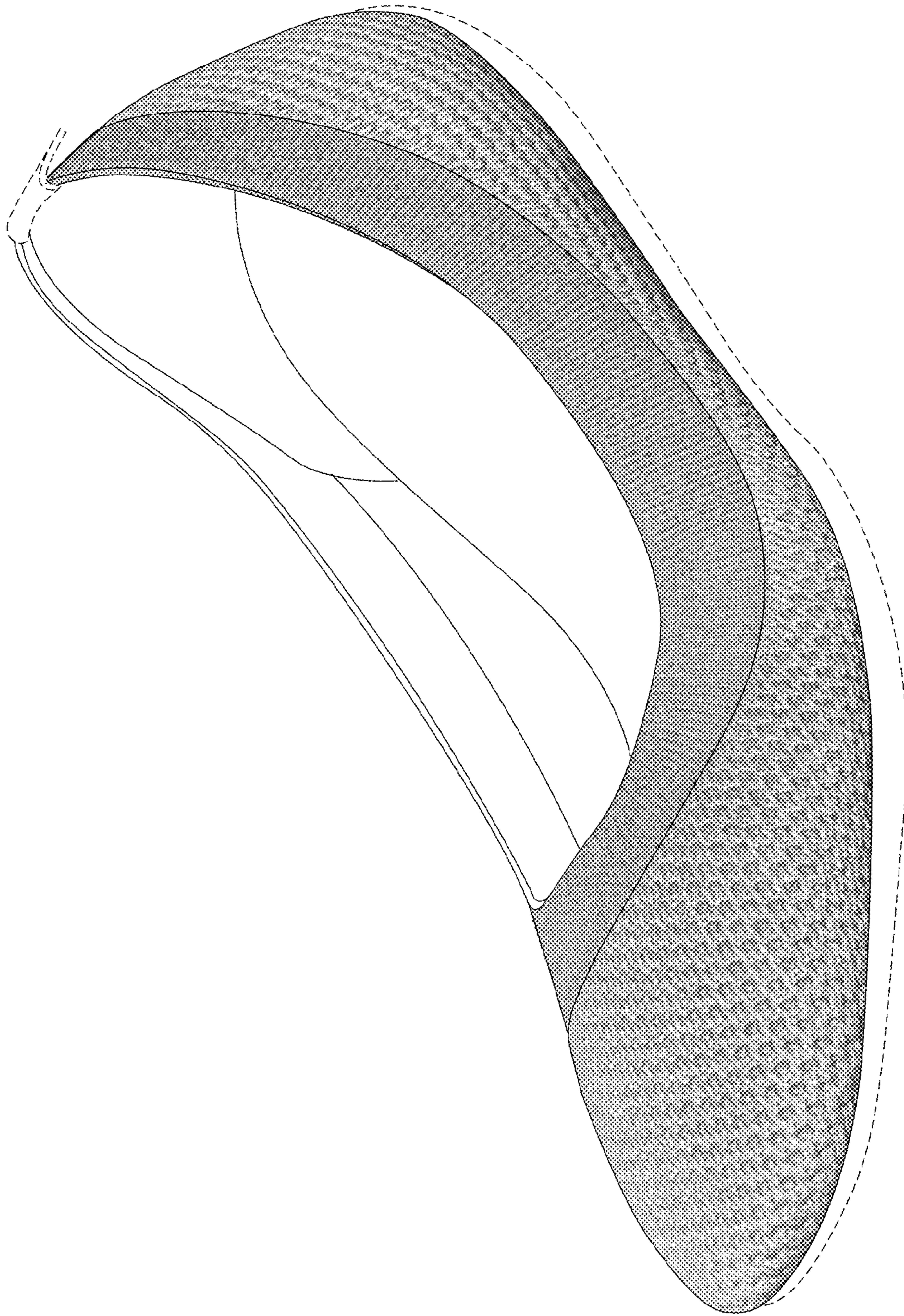


FIG. 1

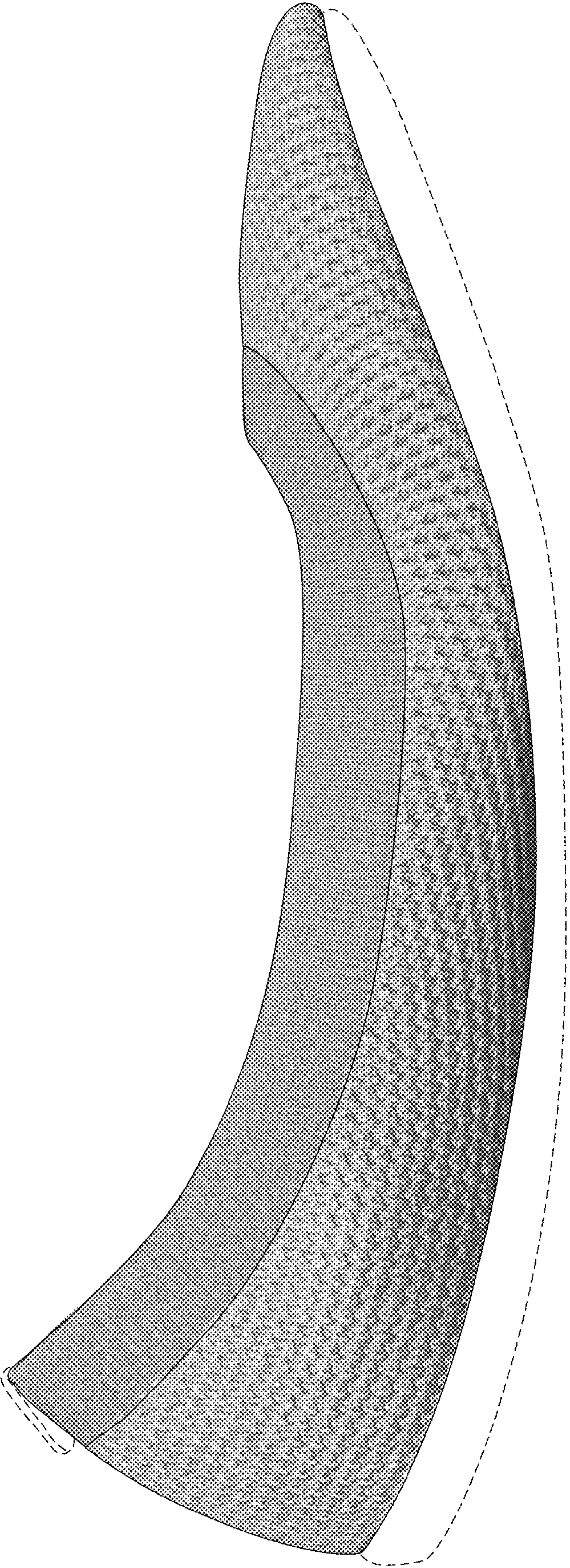


FIG. 2

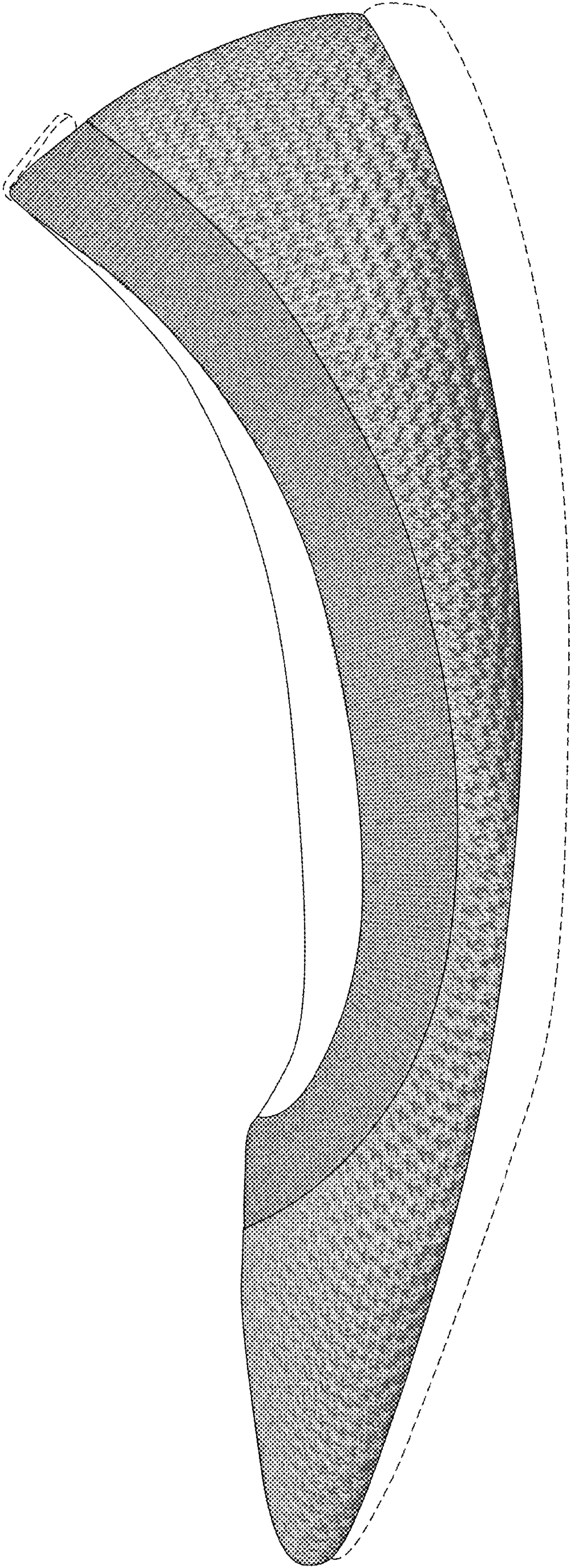


FIG. 3

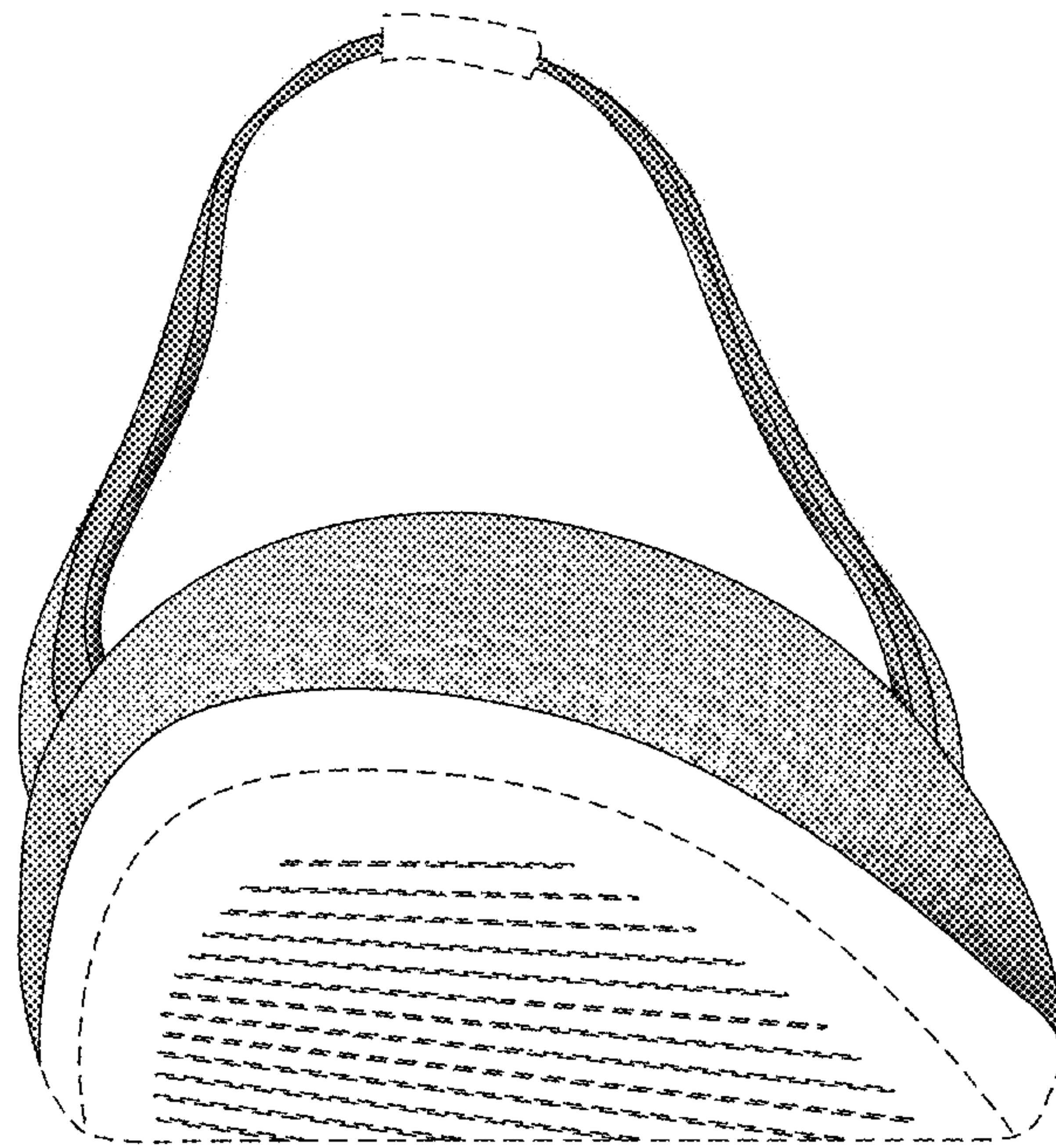


FIG. 4

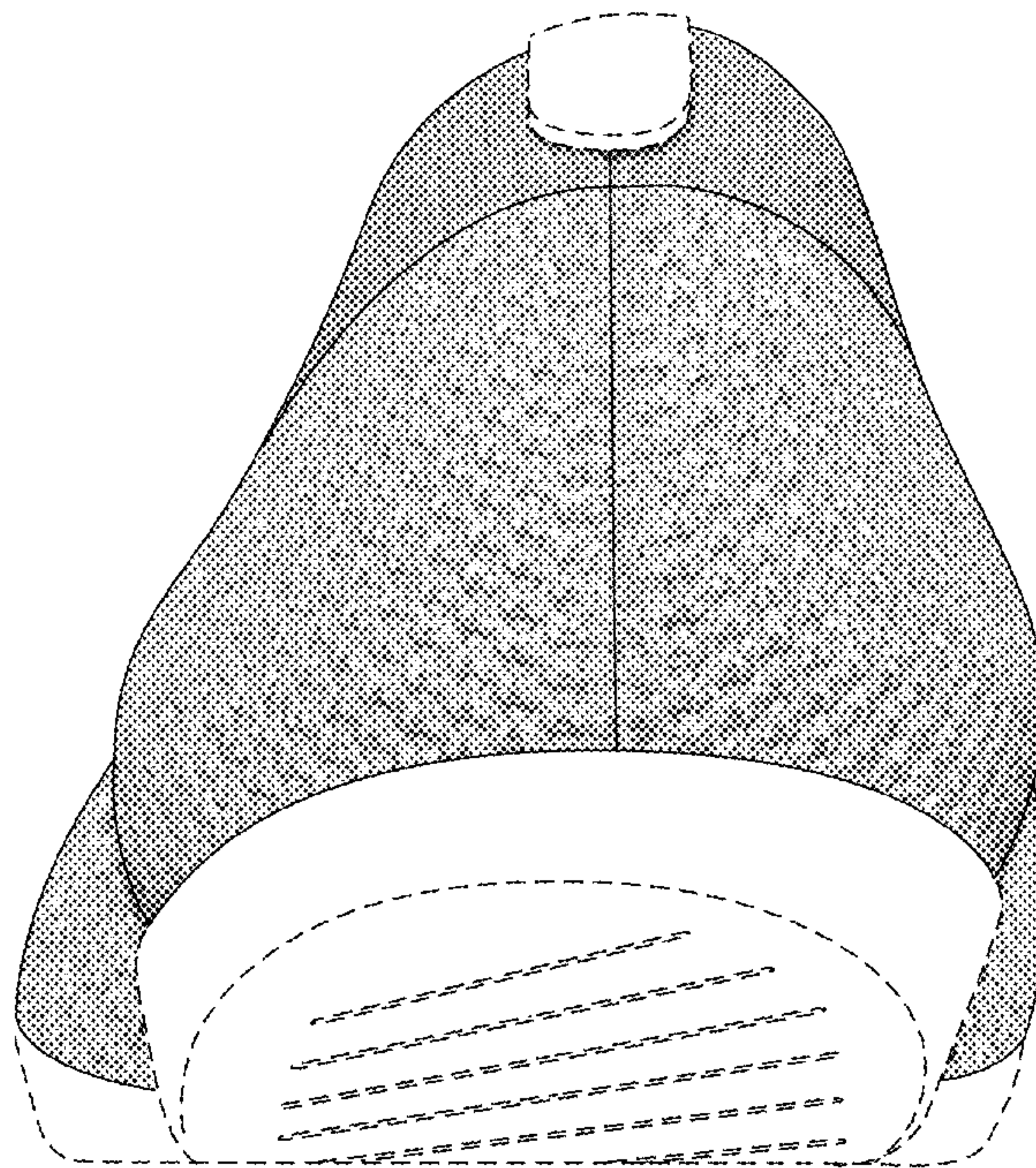


FIG. 5

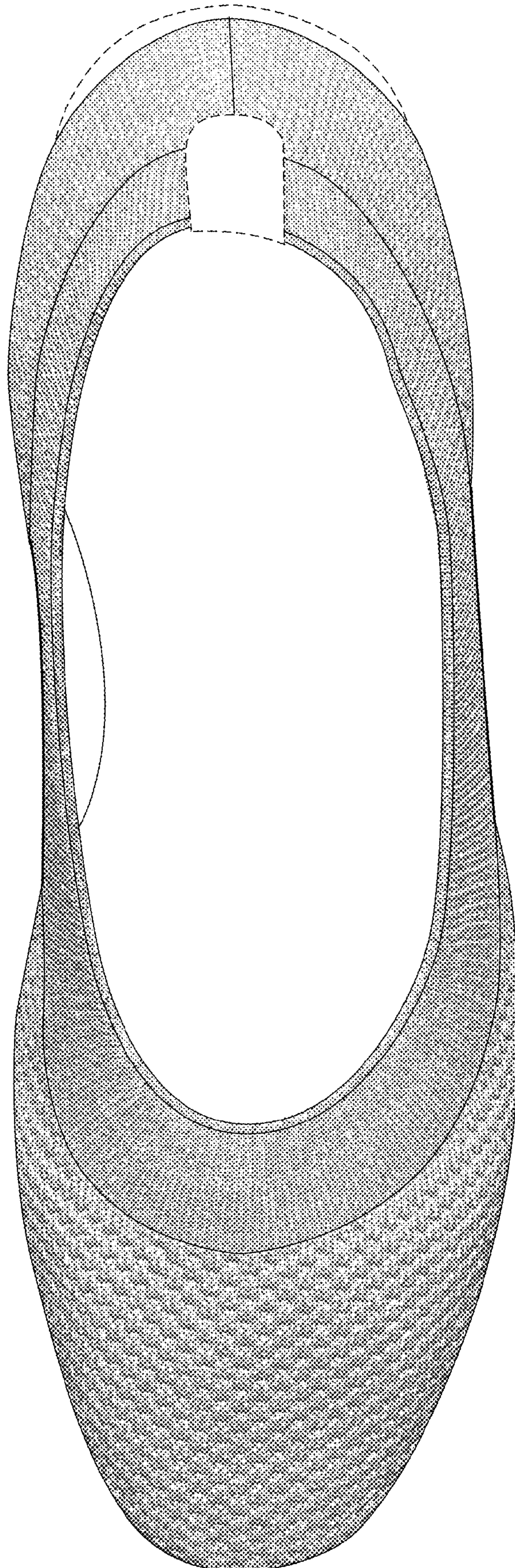


FIG. 6

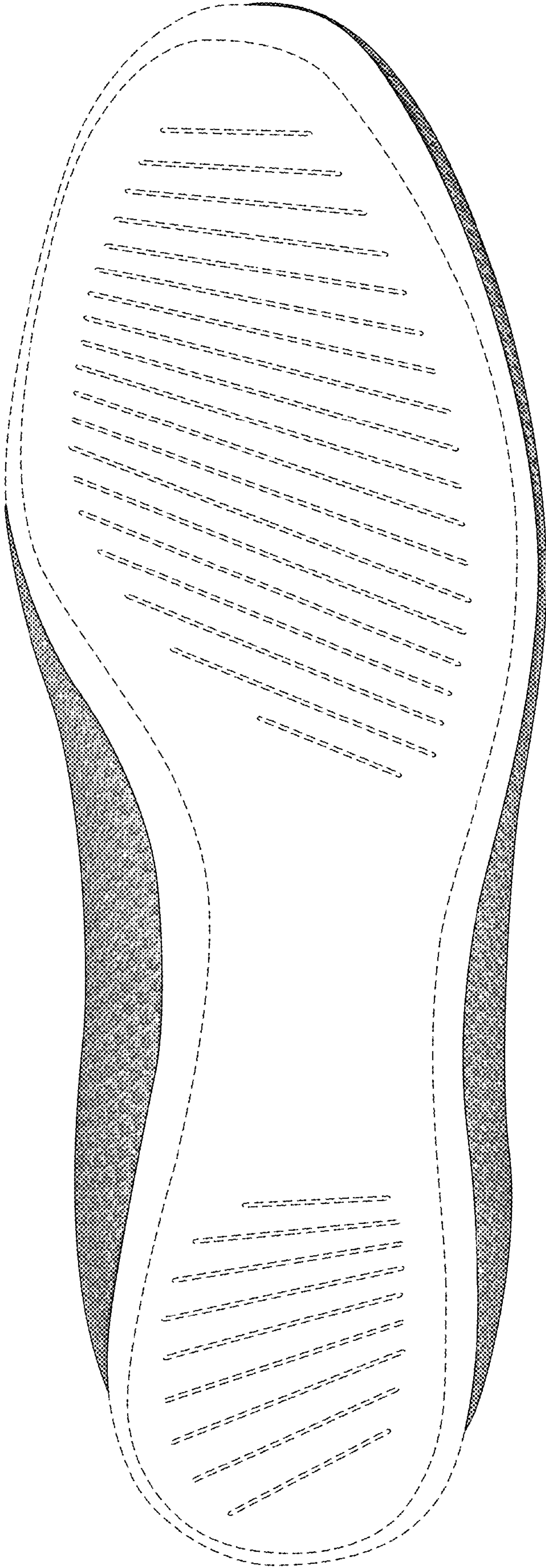


FIG. 7