



US00D891055S

(12) **United States Design Patent**  
**Martin**

(10) **Patent No.:** **US D891,055 S**

(45) **Date of Patent:** **\*\* Jul. 28, 2020**

(54) **SHOE**

(71) Applicant: **NIKE, Inc.**, Beaverton, OR (US)

(72) Inventor: **Angela N. Martin**, Lake Oswego, OR (US)

(73) Assignee: **NIKE, Inc.**, Beaverton, OR (US)

(\*\*) Term: **15 Years**

(21) Appl. No.: **29/683,805**

(22) Filed: **Mar. 15, 2019**

(51) **LOC (12) Cl.** ..... **02-04**

(52) **U.S. Cl.**  
USPC ..... **D2/947**

(58) **Field of Classification Search**  
USPC ..... D2/902, 906, 908, 916, 918, 925,  
D2/946-962, 977; 36/1, 1.5, 3 B, 22 R,  
36/24.5, 25 R, 28, 32 R, 34 R, 59 C,  
36/67 A, 101-107, 114-116, 117.3, 117.4,  
36/124-136  
CPC ..... A43B 13/00; A43B 13/02; A43B 13/023;  
A43B 13/026; A43B 13/04; A43B 13/08;  
A43B 13/10; A43B 13/12; A43B 13/14;  
A43B 13/141; A43B 13/143; A43B  
13/16; A43B 13/18; A43B 13/181; A43B  
13/187; A43B 13/189; A43B 13/20; A43B  
13/22; A43B 13/223; A43B 13/24; A43B  
13/28; A43B 13/30; A43B 13/32; A43B  
13/34; A43B 13/36  
See application file for complete search history.

(56) **References Cited**

**U.S. PATENT DOCUMENTS**

D310,442 S \* 9/1990 Hatfield ..... D2/969  
D319,335 S \* 8/1991 Kawasaki ..... D2/953  
D322,711 S \* 12/1991 Hatfield ..... D2/977  
D328,385 S \* 8/1992 Hatfield ..... D2/977

D328,968 S \* 9/1992 Tinker ..... D2/953  
D329,739 S \* 9/1992 Hatfield ..... D2/977  
D329,941 S \* 10/1992 Hatfield ..... D2/953  
D395,337 S \* 6/1998 Greene ..... D2/947  
D522,739 S \* 6/2006 Dojan ..... D2/977  
D522,740 S \* 6/2006 Dojan ..... D2/977  
D534,345 S 1/2007 Dojan et al.  
D547,534 S 7/2007 Schindler et al.  
D547,541 S 7/2007 Schindler et al.  
D549,433 S 8/2007 Schindler et al.

(Continued)

**OTHER PUBLICATIONS**

Nike Air Max Fly, Nike.com, [online], [site visited May 13, 2020].  
<URL: <https://www.nike.com/t/air-max-fly-mens-shoe-Gx2fzv/AT2506-002>> (Year: 2020).\*

(Continued)

*Primary Examiner* — T Chase Nelson  
*Assistant Examiner* — Jonathan J. Han  
(74) *Attorney, Agent, or Firm* — Banner & Witcoff, Ltd.

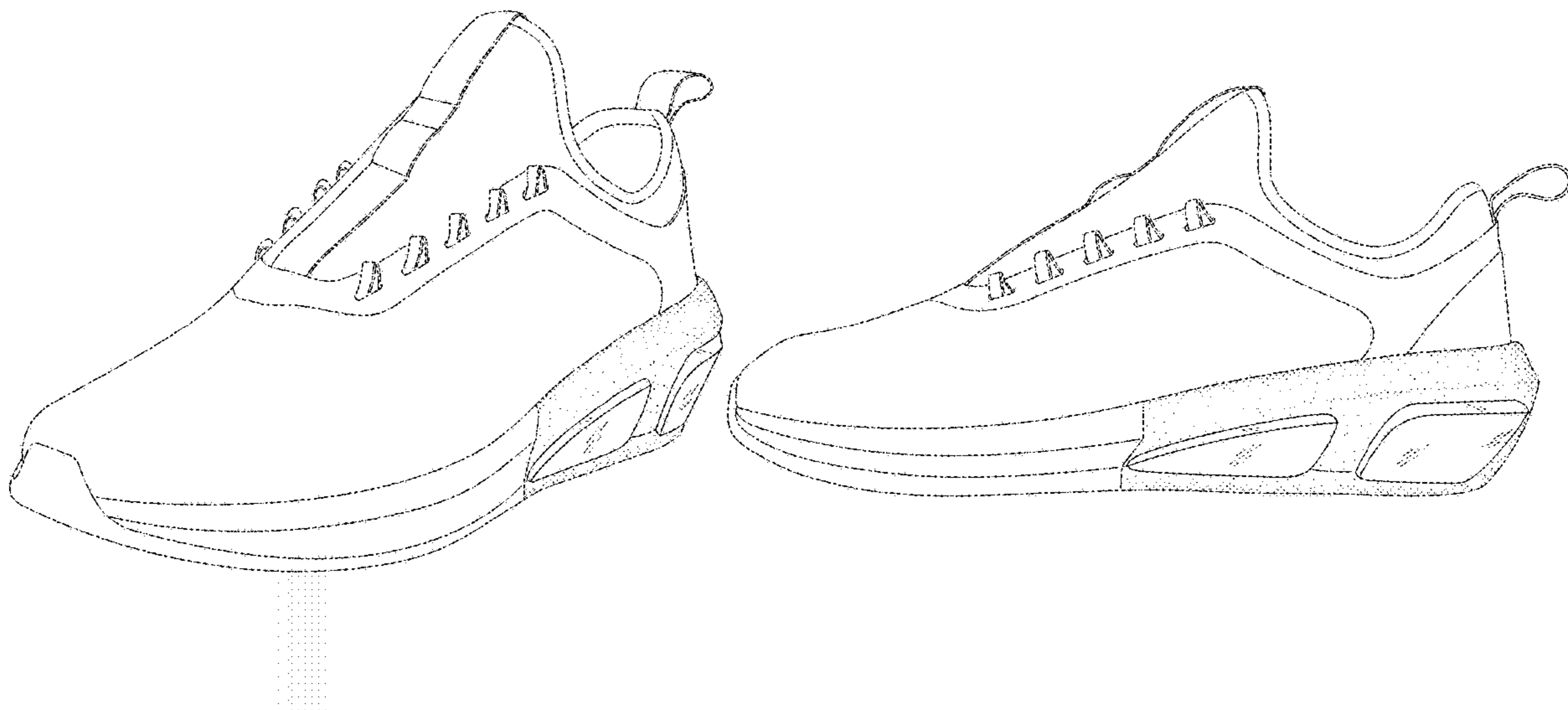
(57) **CLAIM**

The ornamental design for a shoe, as shown and described.

**DESCRIPTION**

FIG. 1 is a front perspective view of a shoe showing my new design;  
FIG. 2 is a side view thereof;  
FIG. 3 is a rear perspective view thereof; and,  
FIG. 4 is a rear view thereof.  
The broken lines immediately adjacent to the shaded area define the bounds of the claimed design and form no part thereof. The broken lines within the shaded area represent features that form no part of the claimed design. The oblique shade lines represent a translucent or transparent appearance. The broken lines depicting the remainder of the shoe show features that form no part of the claimed design.

**1 Claim, 4 Drawing Sheets**



(56)

**References Cited**

U.S. PATENT DOCUMENTS

D624,291 S \* 9/2010 Henderson ..... D2/946  
 D696,502 S 12/2013 Miner  
 D696,503 S 12/2013 Miner  
 D799,801 S 10/2017 Da Costa Pereira Machado  
 D810,407 S 2/2018 DeAlmeida  
 D814,155 S \* 4/2018 Hernandez ..... D2/947  
 D843,698 S \* 3/2019 Schultze ..... D2/947  
 D851,875 S \* 6/2019 Jacobs ..... D2/947  
 D851,877 S \* 6/2019 Small ..... D2/947  
 D858,050 S \* 9/2019 Reyes ..... D2/947  
 D862,853 S \* 10/2019 Gerig ..... D2/947  
 D866,135 S \* 11/2019 Durflinger ..... D2/947  
 D869,131 S \* 12/2019 Raasch ..... D2/947  
 D870,430 S \* 12/2019 Nickless ..... D2/947  
 D871,034 S \* 12/2019 Amago ..... D2/947  
 D872,433 S \* 1/2020 O'Connor ..... D2/947  
 D874,104 S \* 2/2020 Gerig ..... D2/947  
 D876,762 S \* 3/2020 Petrenka ..... D2/947

D877,467 S \* 3/2020 Taylor ..... D2/947  
 D878,019 S \* 3/2020 McMillan ..... D2/947  
 D879,423 S \* 3/2020 Engel ..... D2/947  
 D879,425 S \* 3/2020 Raasch ..... D2/947  
 D882,919 S \* 5/2020 Kosenick ..... D2/947  
 D883,623 S \* 5/2020 Kosenick ..... D2/947

OTHER PUBLICATIONS

Worth Buying? \$100 Nike Air Max Fly Review + On Feet!, YouTube.com, Hes Kicks, Published on Dec. 2, 2019, [online], [site visited May 13, 2020]. <URL: <https://www.youtube.com/watch?v=QWHTqHAb8PA>> (Year: 2019).\*

First Look: Nike Air Max Fly, KicksOnFire.com, Feb. 13, 2019, [online], [site visited May 13, 2020]. <URL: <https://www.kicksonfire.com/nike-air-max-fly-first-look/>> (Year: 2019).\*

Jordan Max 200, Nike.com, [online], [site visited May 13, 2020]. <URL: <https://www.nike.com/t/jordan-max-200-mens-shoe-GJqQKz/CD6105-100>> (Year: 2020).\*

\* cited by examiner

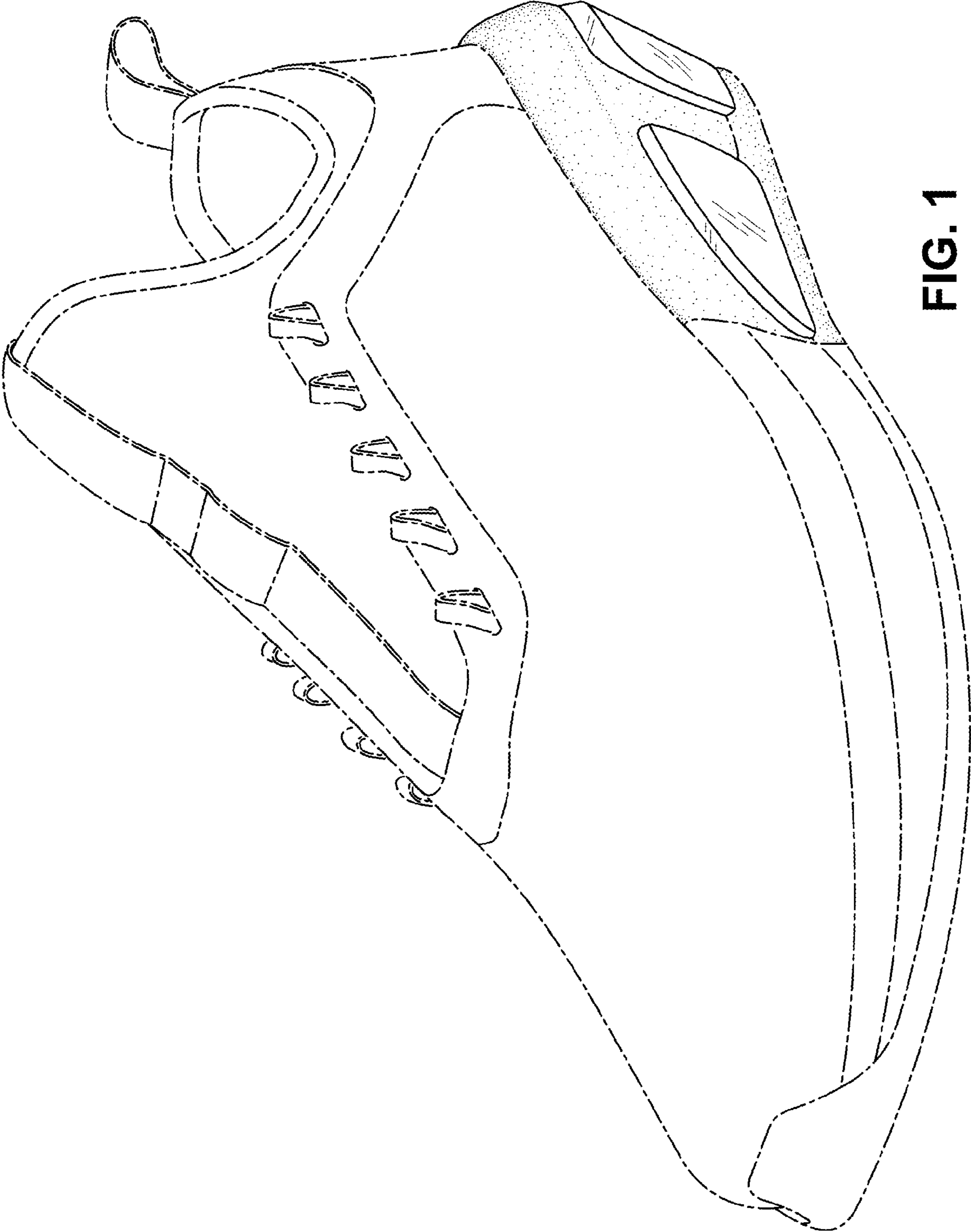


FIG. 1

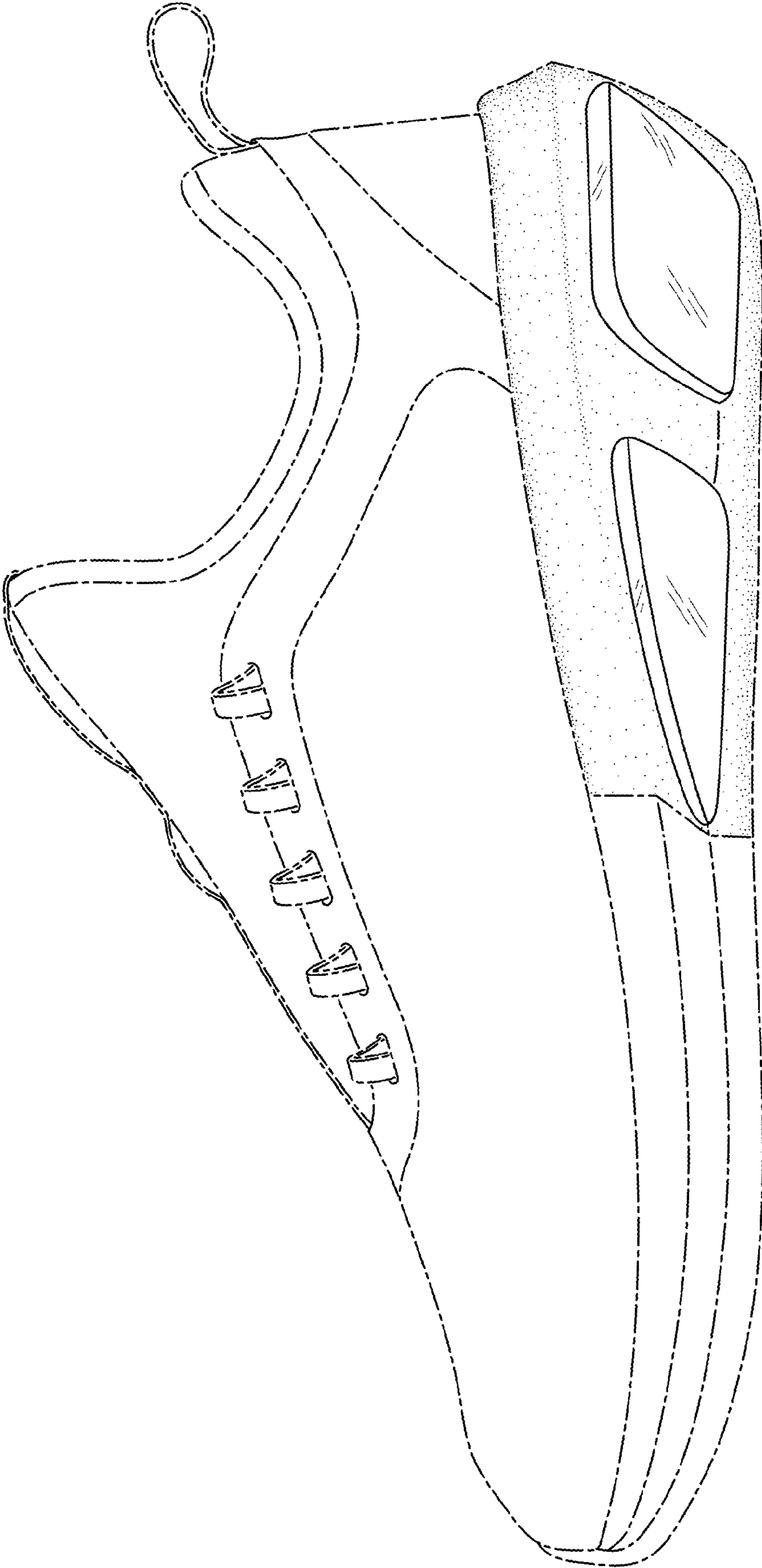


FIG. 2



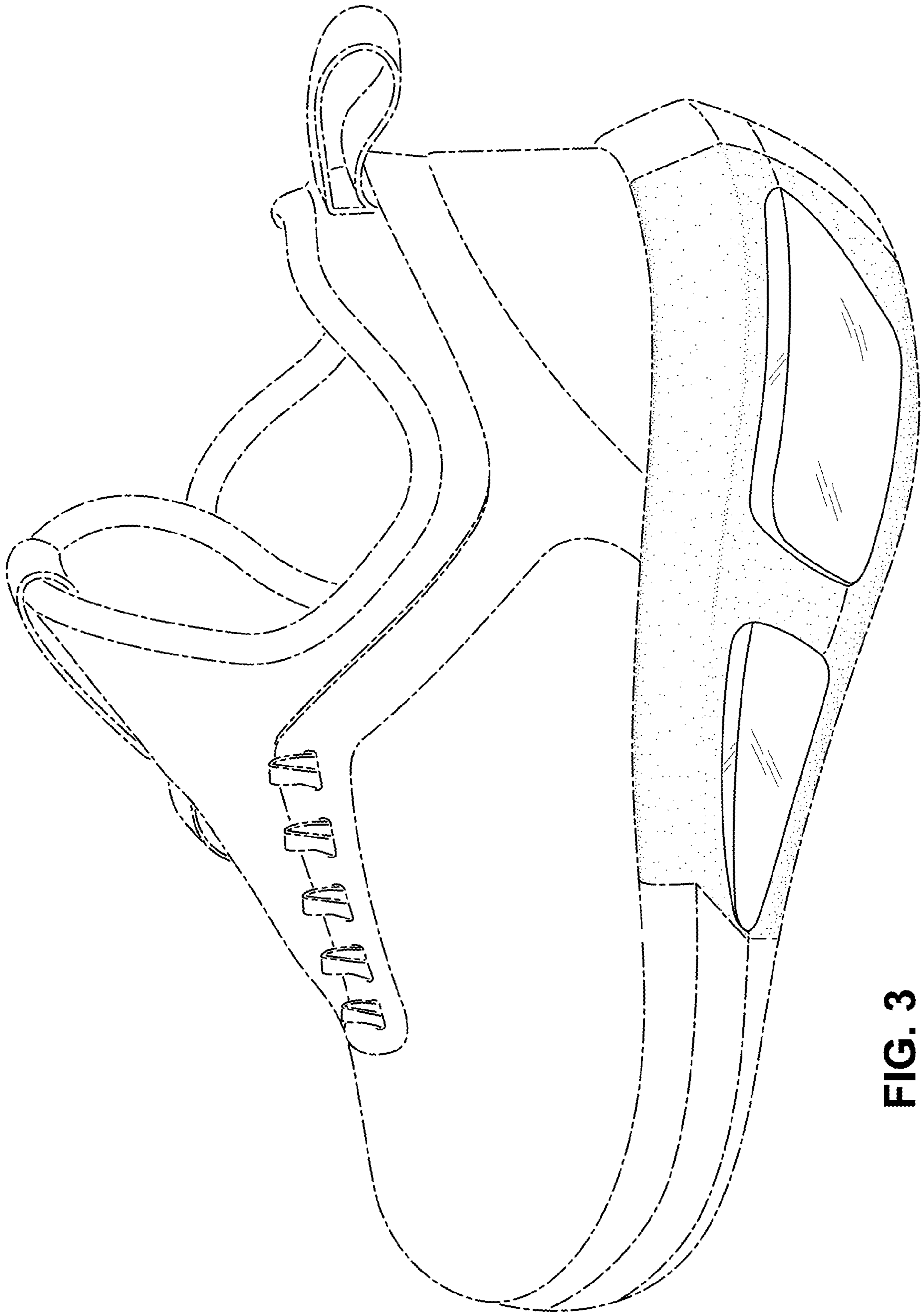
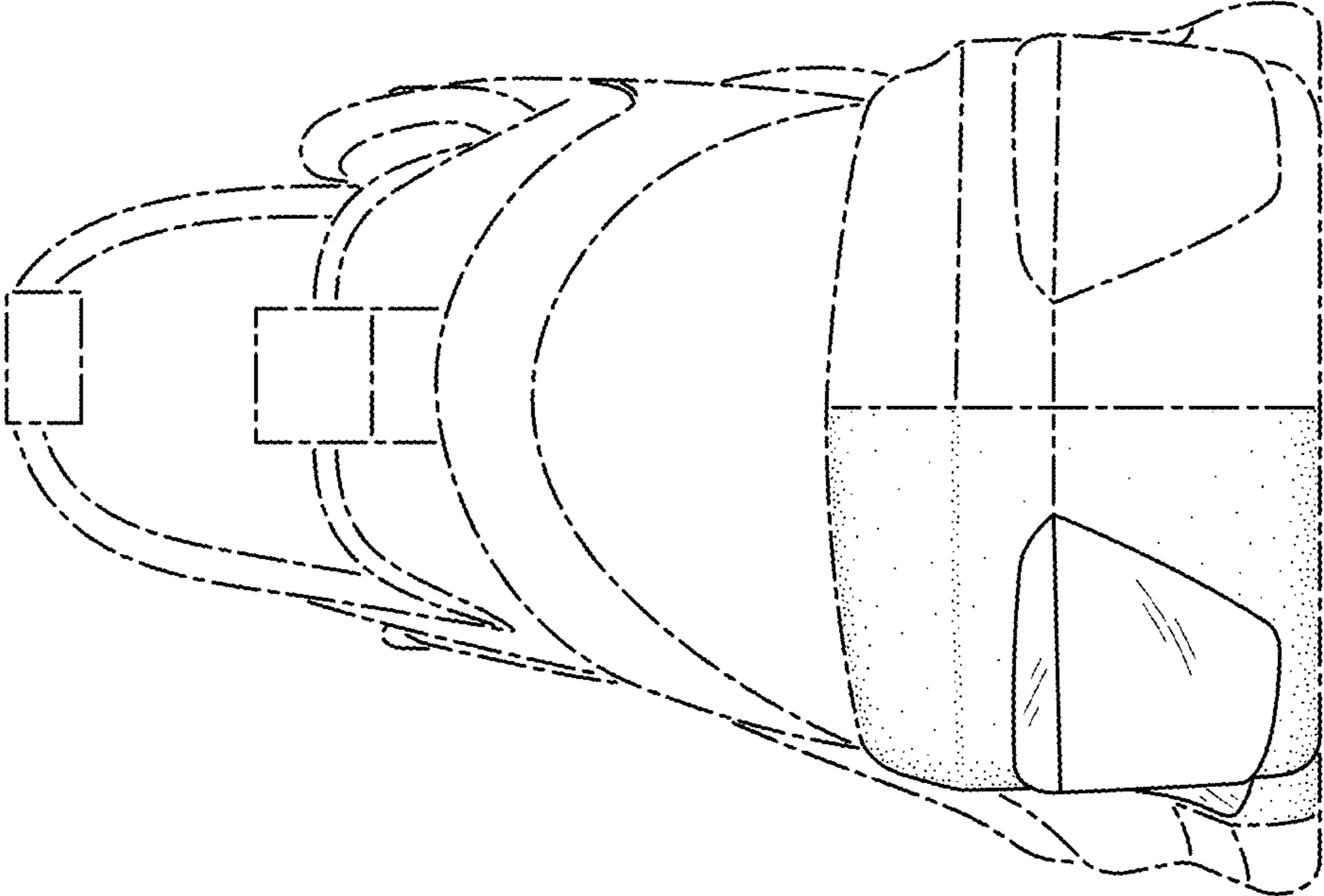


FIG. 3



**FIG. 4**