



US00D891038S

(12) **United States Design Patent** (10) **Patent No.:** **US D891,038 S**
Beach (45) **Date of Patent:** **** Jul. 28, 2020**

(54) **SWIMWEAR**

OTHER PUBLICATIONS

(71) Applicant: **Splash About International Limited,**
Grimsby (GB)

www.SplashAbout.com: Jammer Wetsuit Blue Cobalt. © 2020; 5 pages. Found online Mar. 20, 2020 at https://www.splashabout.com/jammer-wetsuit-blue-cobalt.html (Year: 2020).*

(72) Inventor: **Lesley Beach,** Grimsby (GB)

Primary Examiner — Robert M. Spear

(**) Term: **15 Years**

(74) *Attorney, Agent, or Firm* — Tarolli, Sundheim, Covell & Tummino, LLP; John A. Yirga, Esq.

(21) Appl. No.: **35/506,943**

(22) Filed: **Dec. 6, 2018**

(57) **CLAIM**

The ornamental design for swimwear, as shown and described.

(80) **Hague Agreement Data**

Int. Filing Date: **Dec. 6, 2018**
Int. Reg. No.: **DM/201466**
Int. Reg. Date: **Dec. 6, 2018**
Int. Reg. Pub. Date: **Jun. 21, 2019**

DESCRIPTION

(30) **Foreign Application Priority Data**

Jun. 6, 2018 (EM) 005299484

(51) **LOC (12) Cl.** **02-02**

(52) **U.S. Cl.**
USPC **D2/731**

(58) **Field of Classification Search**
USPC D2/712, 713, 714, 731, 733, 743, 745
CPC .. A41B 9/08; A41B 13/08; A41B 9/14; A41D
11/00; A41D 13/00
See application file for complete search history.

- 1. Swimwear
- 1.1 - Front left perspective view of the outside of the swimwear;
- 1.2 - Rear elevational view;
- 1.3 - Bottom plan view;
- 1.4 - Top plan view;
- 1.5 - Right side view;
- 1.6 - Left side view;
- 1.7 - Front elevational view;
- 1.8 - Front left perspective view of the swimwear turned inside out showing the inside of the item;
- 1.9 - Bottom plan view thereof;
- 1.10 - Rear elevational view thereof;
- 1.11 - Front elevational view thereof;
- 1.12 - Top plan view thereof;
- 1.13 - Right side view thereof;
- 1.14 - Left side view thereof;
- 1.15 - Front left perspective view thereof, showing the top of the item inverted and extending downwards over the bottom of the item;
- 1.16 - Front left perspective view of the swimwear turned inside out showing the inside with the straps disengaged;
- 1.17 - Rear right perspective view thereof;
- 1.18 - Front left perspective view of the outside of the swimwear with the straps disengaged; and
- 1.19 - Rear right perspective view thereof.

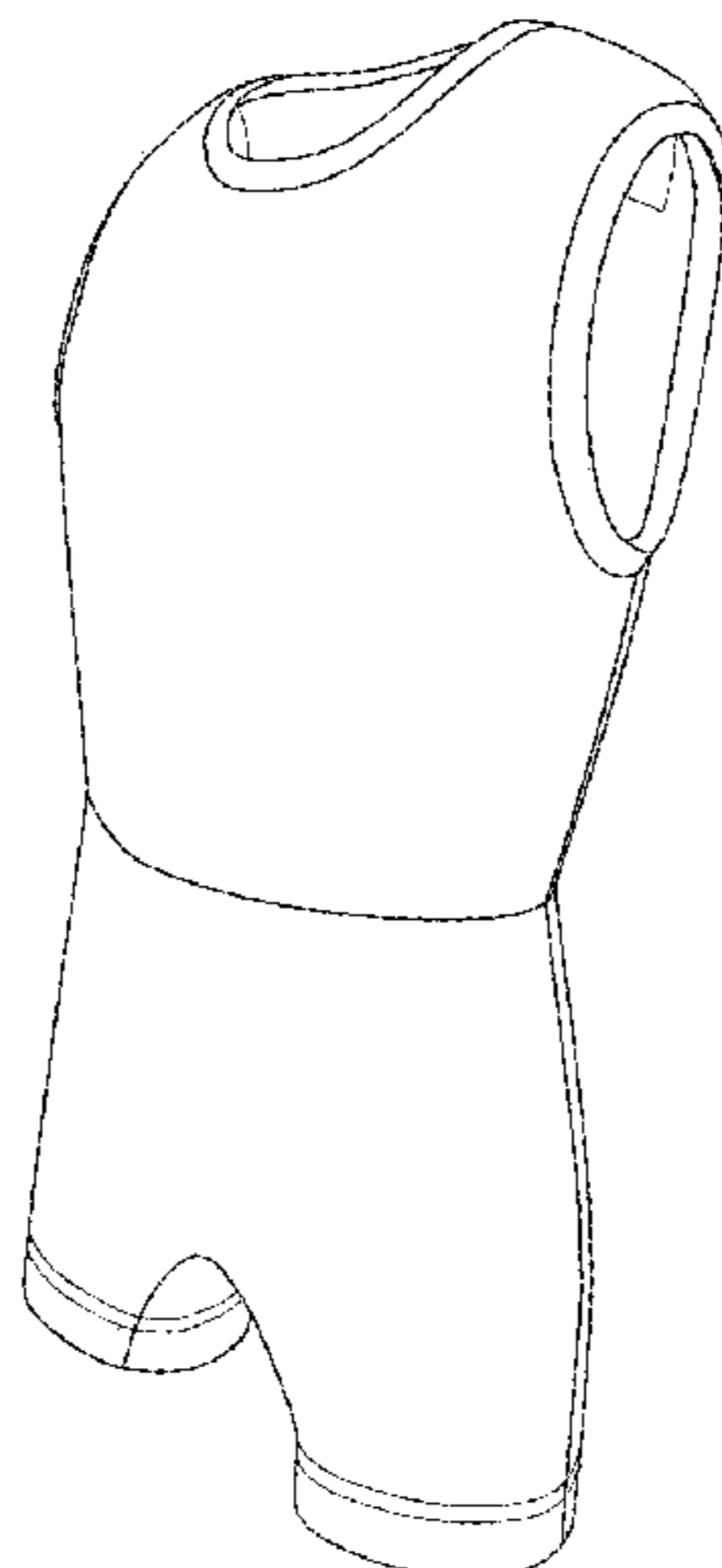
(56) **References Cited**

U.S. PATENT DOCUMENTS

839,699 A * 12/1906 Anderson A41D 7/00
2/67
904,392 A * 11/1908 Wise A41B 9/08
2/78.2
1,095,476 A * 5/1914 Sprague A41B 13/00
2/80
1,127,122 A * 2/1915 Walker A41B 9/08
2/78.2

(Continued)

1 Claim, 19 Drawing Sheets



(56)

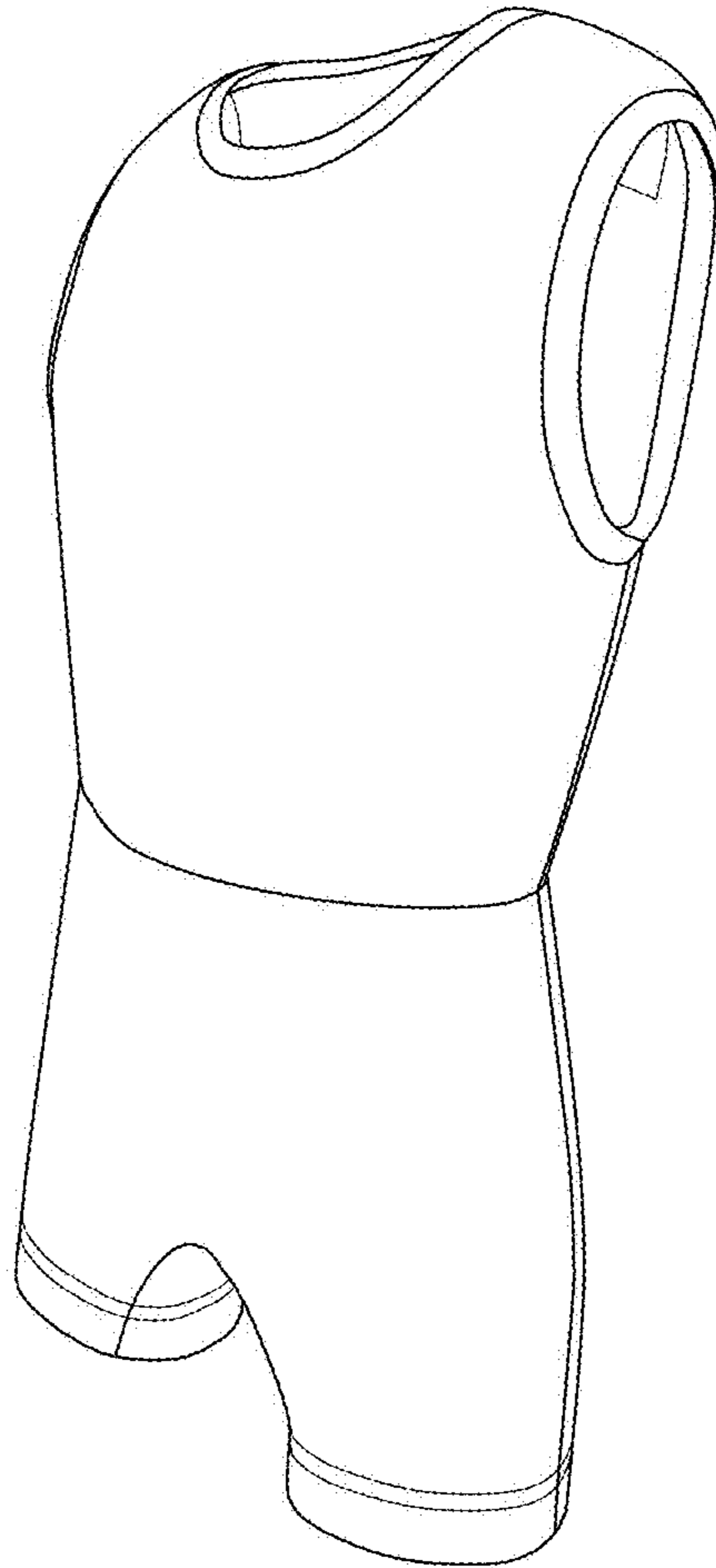
References Cited

U.S. PATENT DOCUMENTS

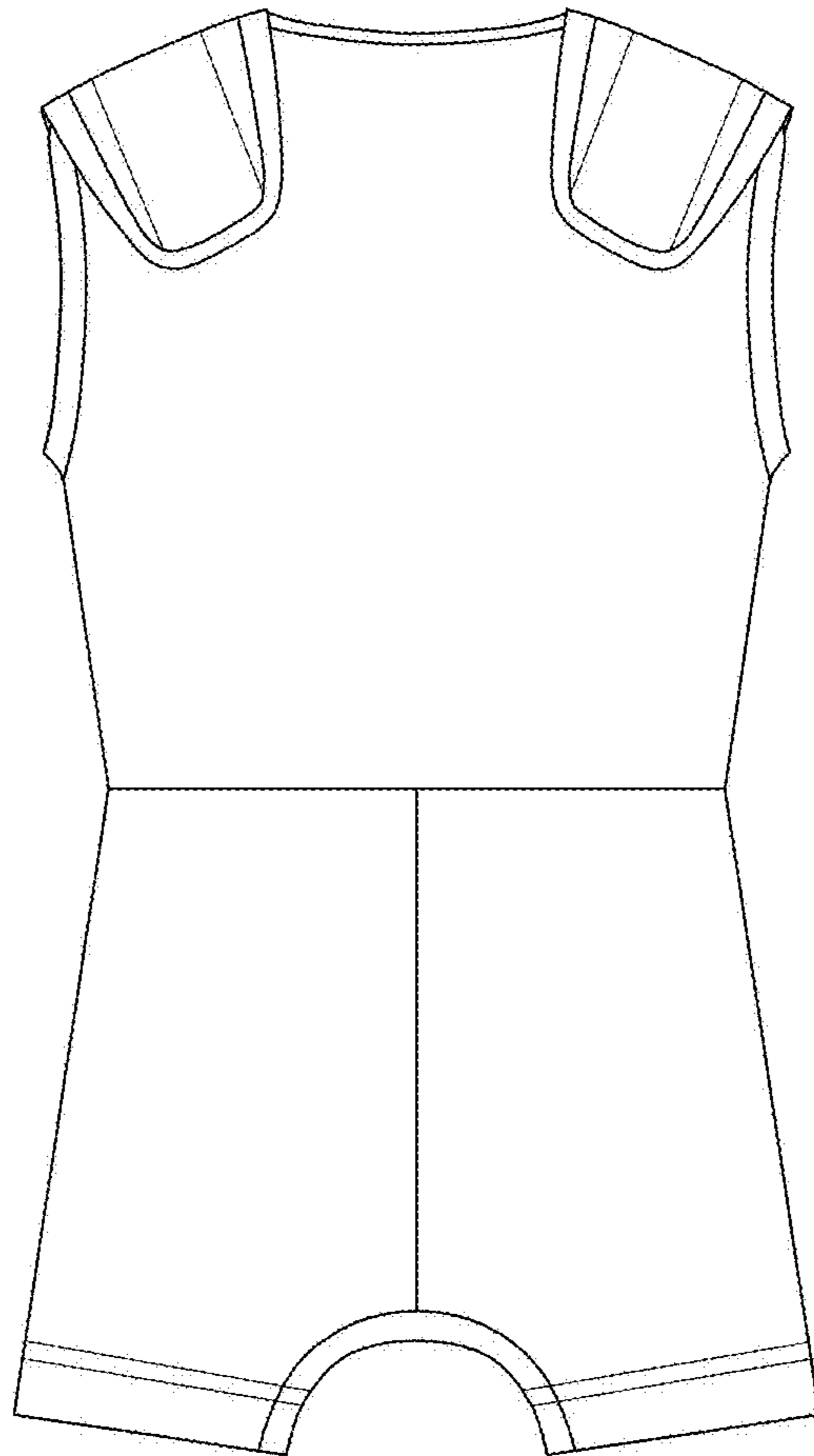
1,254,593 A * 1/1918 Heber A41D 7/00
2/67
1,505,766 A * 8/1924 Combs A41D 7/003
441/102
1,853,396 A * 4/1932 Atherton A41B 9/08
2/78.2
1,889,701 A * 11/1932 Rosenberg A41B 9/08
2/78.1
2,436,610 A * 2/1948 Saxon A41D 7/00
2/80
2,635,245 A * 4/1953 Nigro A41B 13/00
2/80
D598,176 S * 8/2009 Tawil A41B 13/00
D2/713
D656,709 S * 4/2012 Richards D2/713
D746,547 S * 1/2016 Louie A41B 9/08
D2/743
D765,950 S * 9/2016 Graham D2/745
D801,632 S * 11/2017 Benson A41B 13/00
D2/731
D816,296 S * 5/2018 Speer D2/743
D816,297 S * 5/2018 Eyth D2/745

* cited by examiner

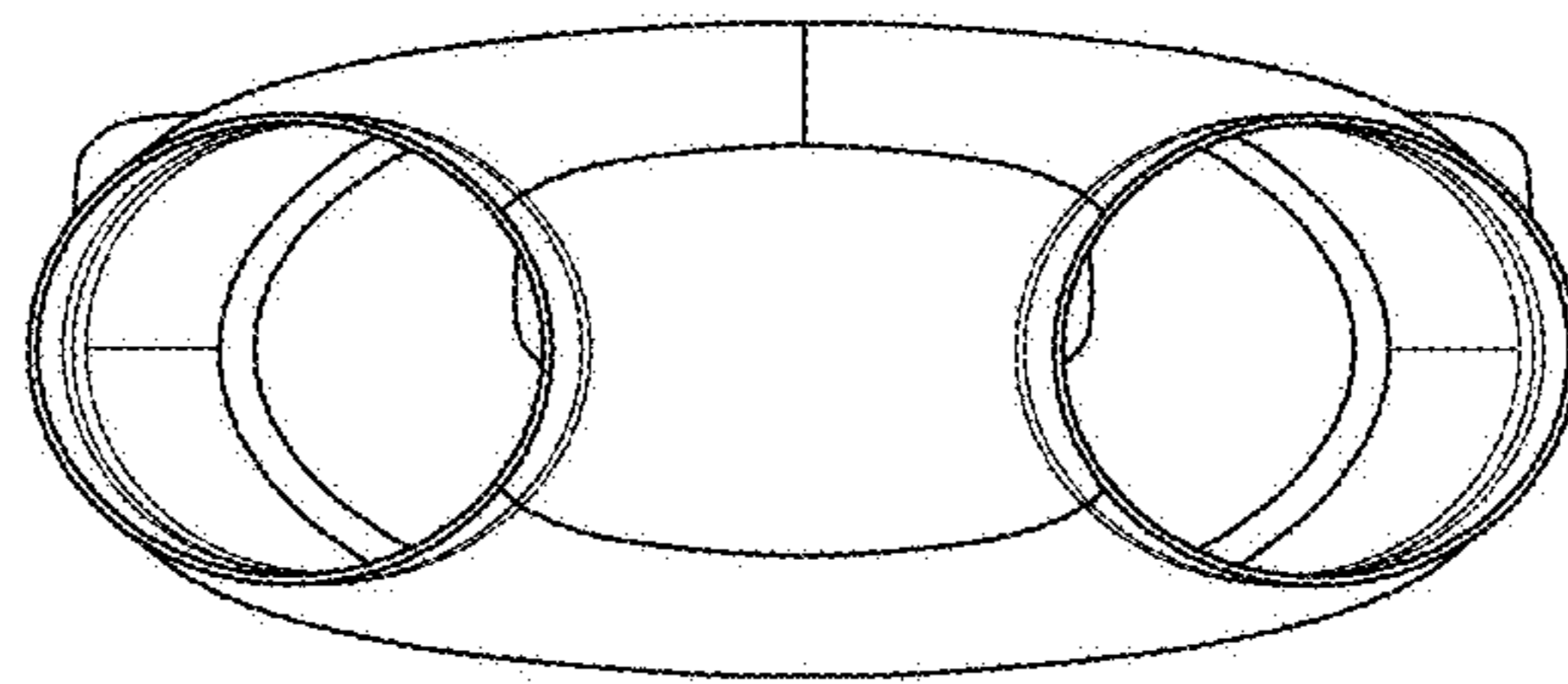
1.1



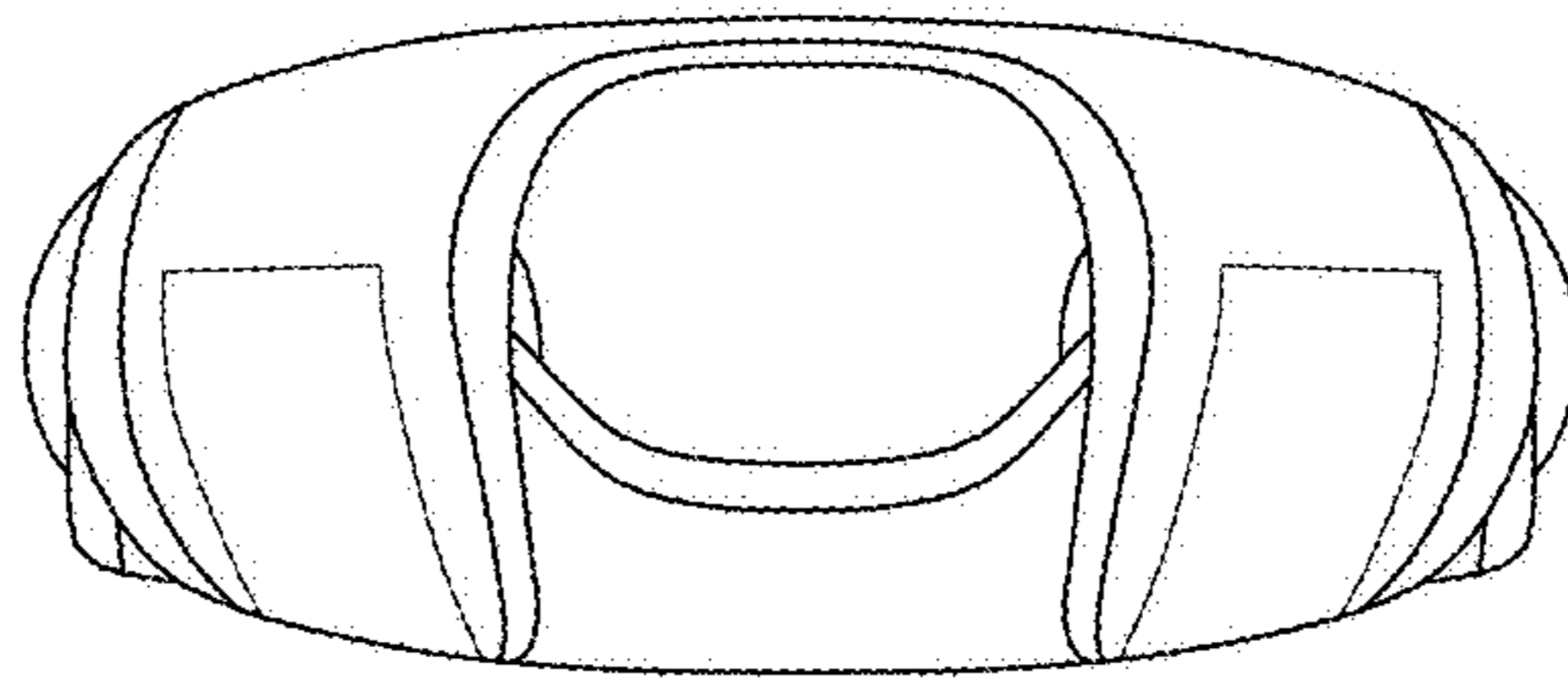
1.2



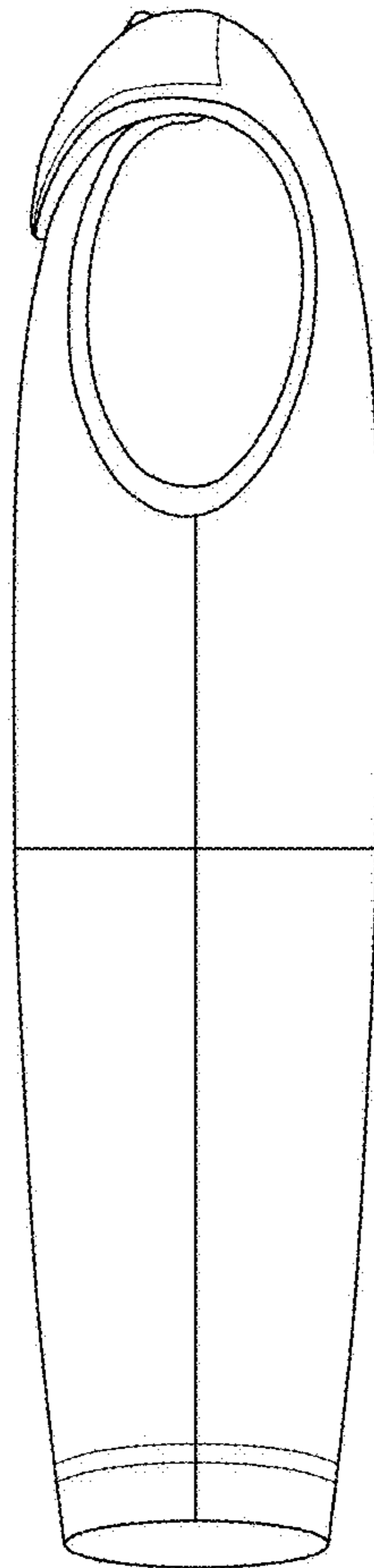
1.3



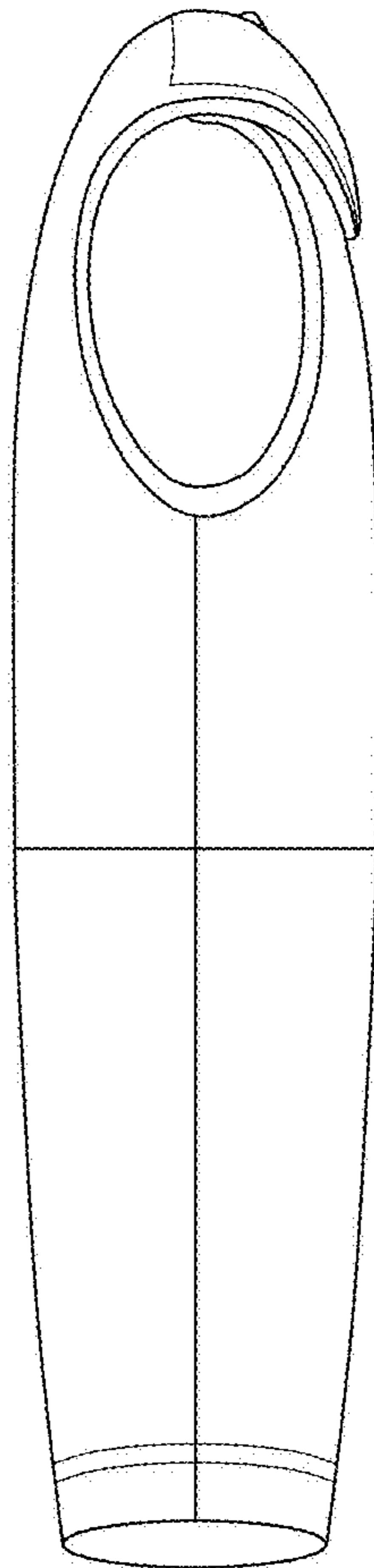
1.4



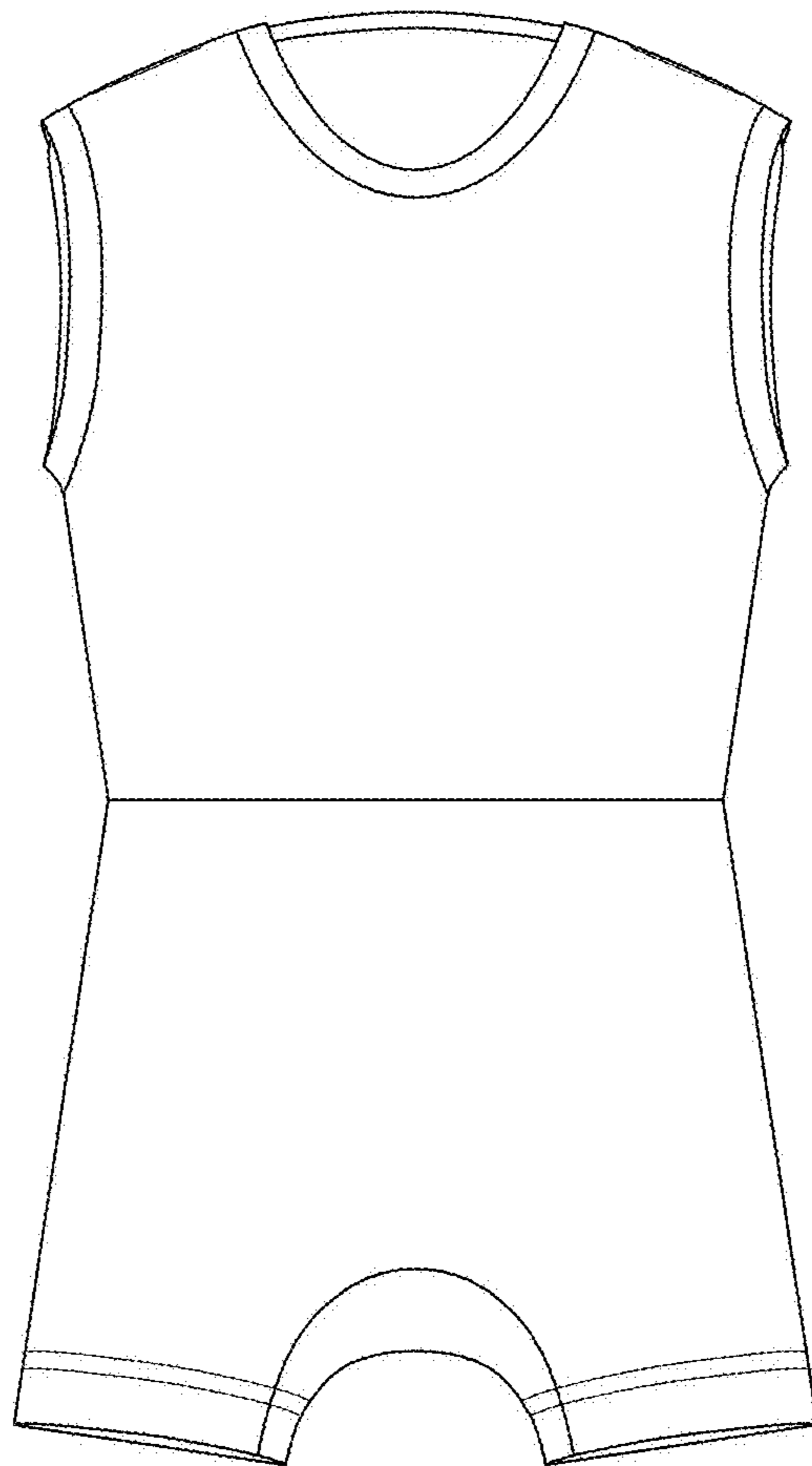
1.5



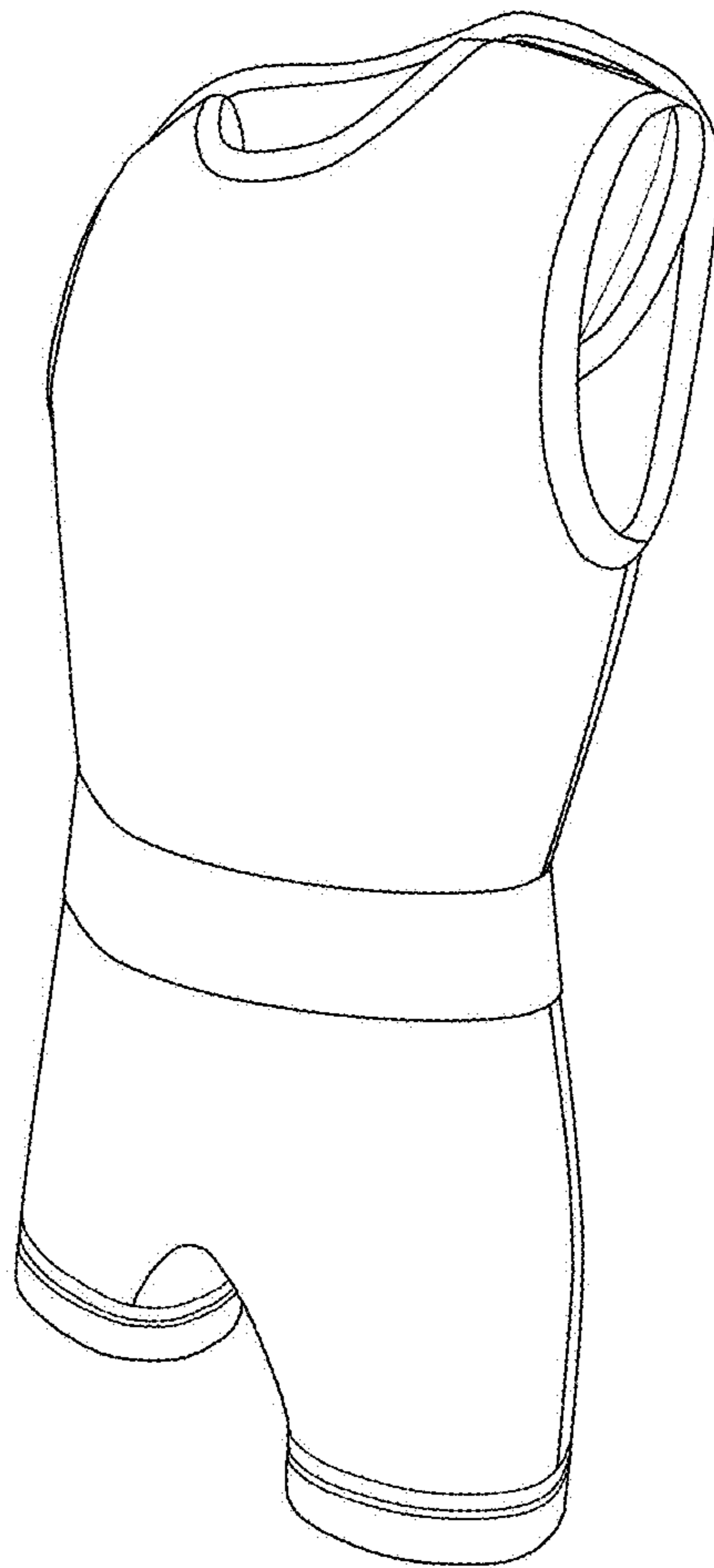
1.6



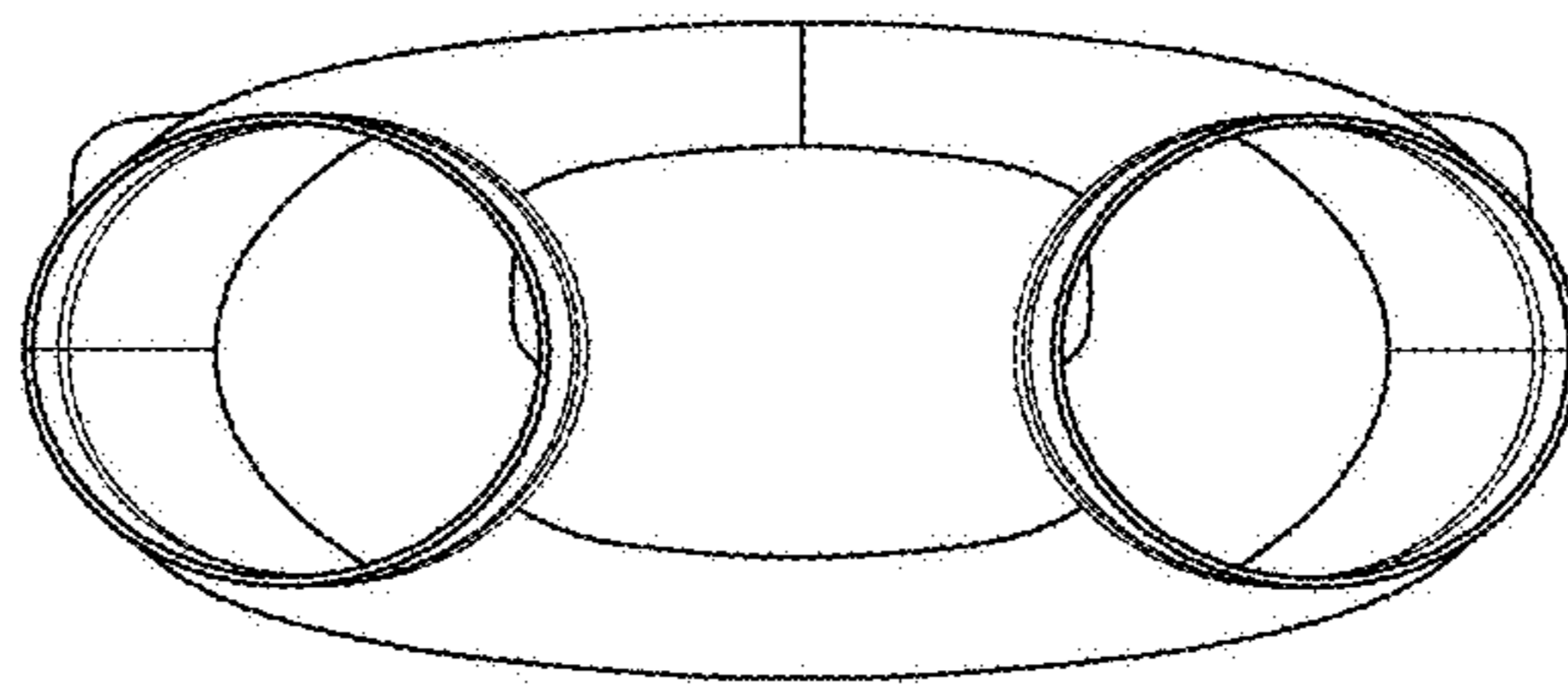
1.7



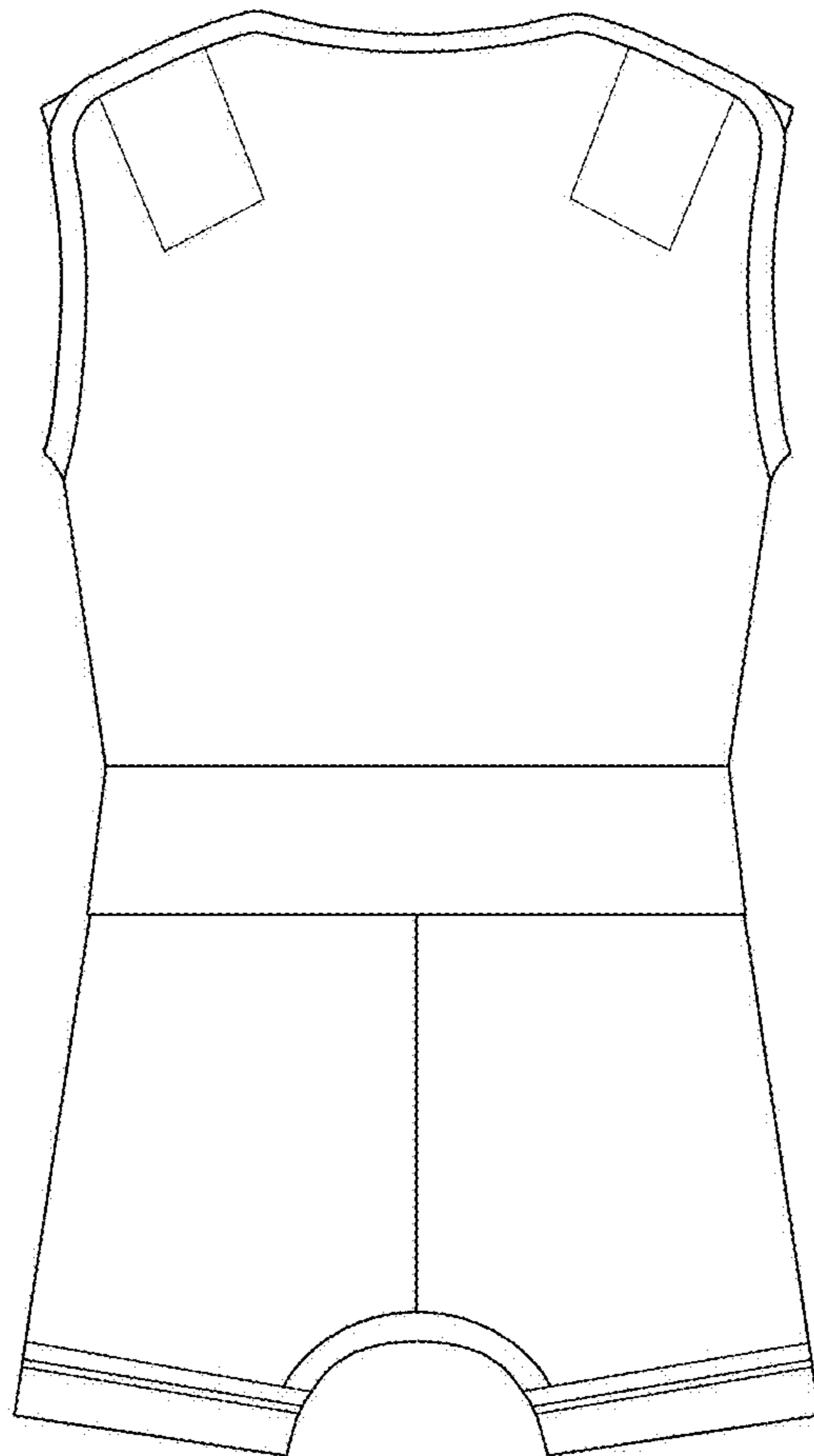
1.8



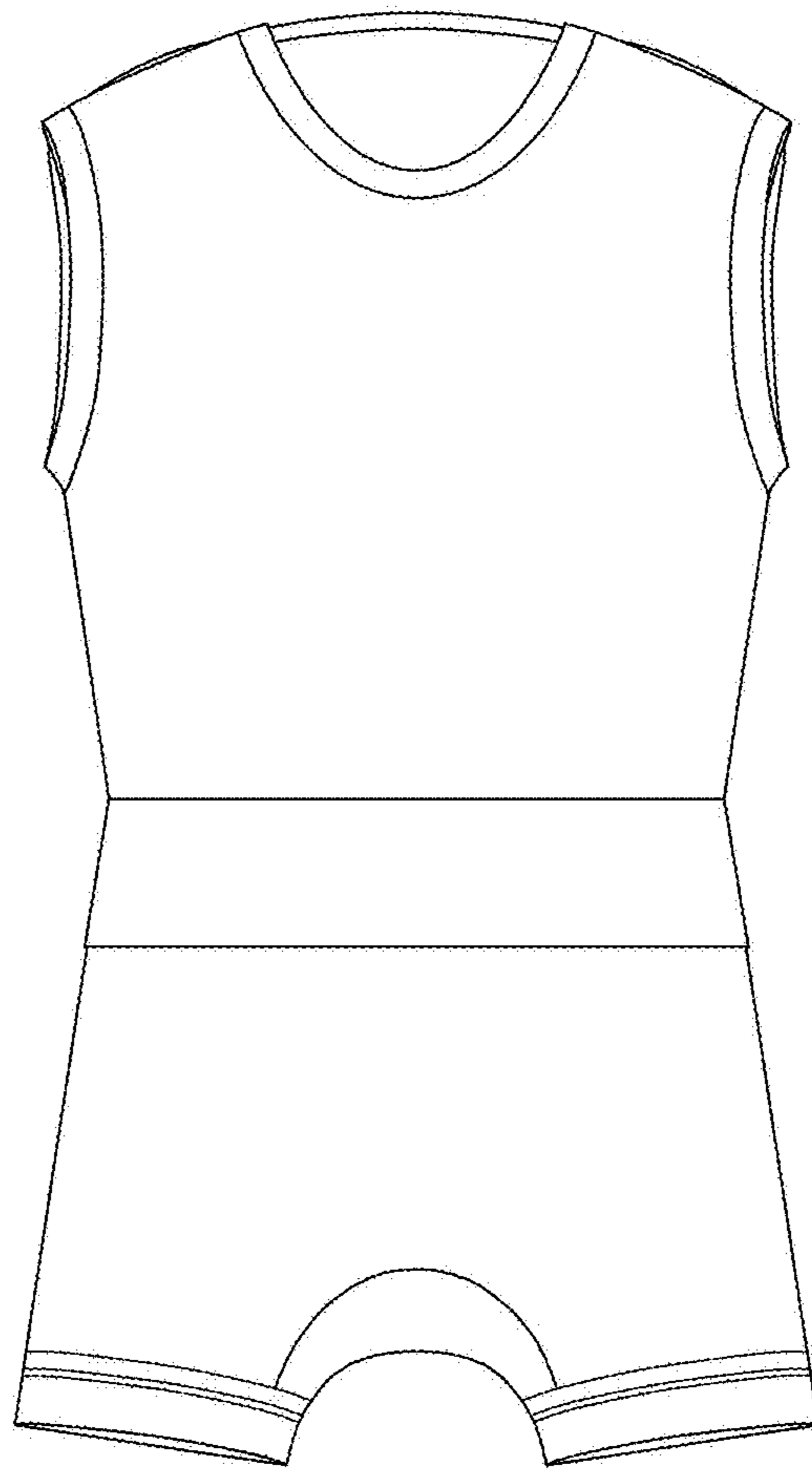
1.9



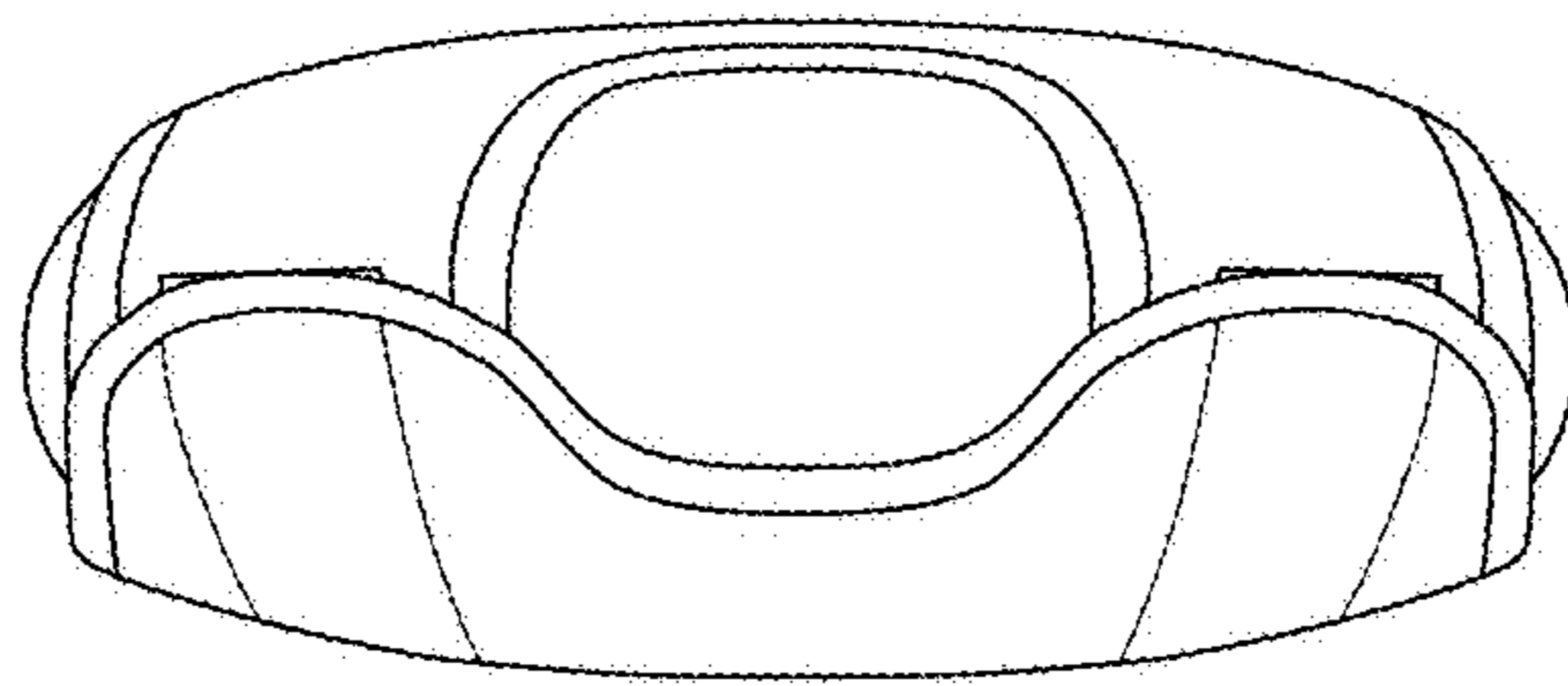
1.10



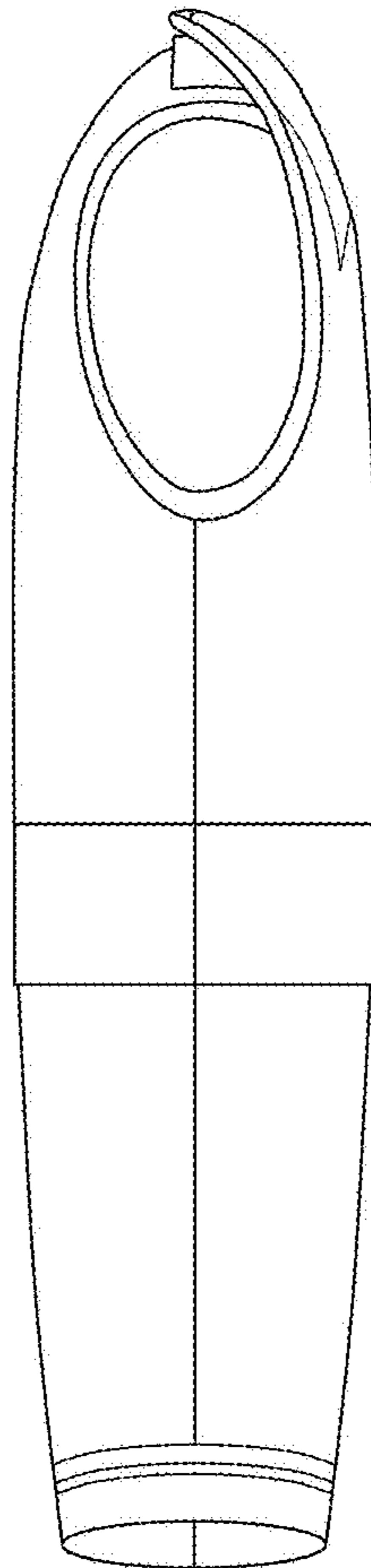
1.11



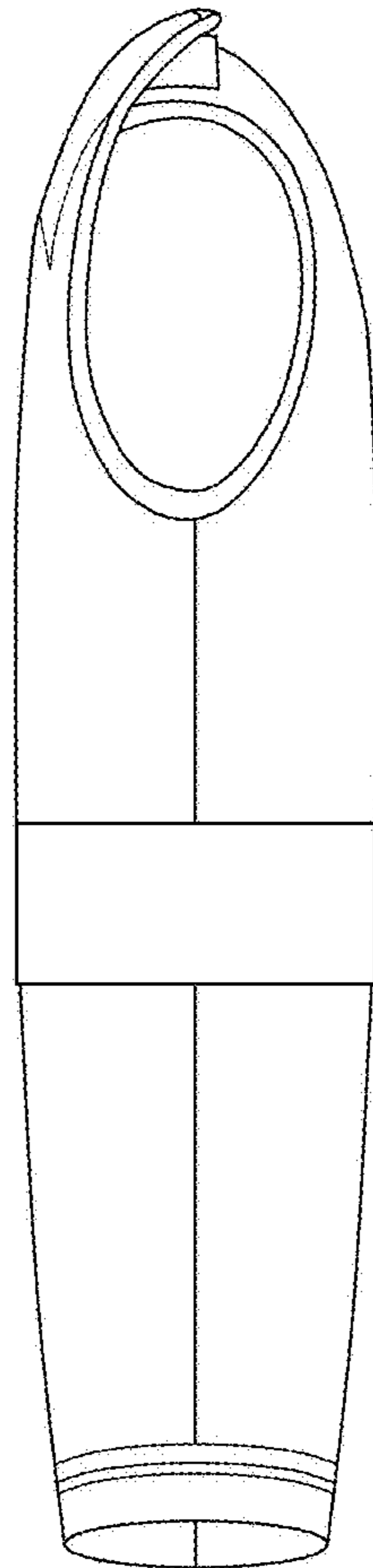
1.12



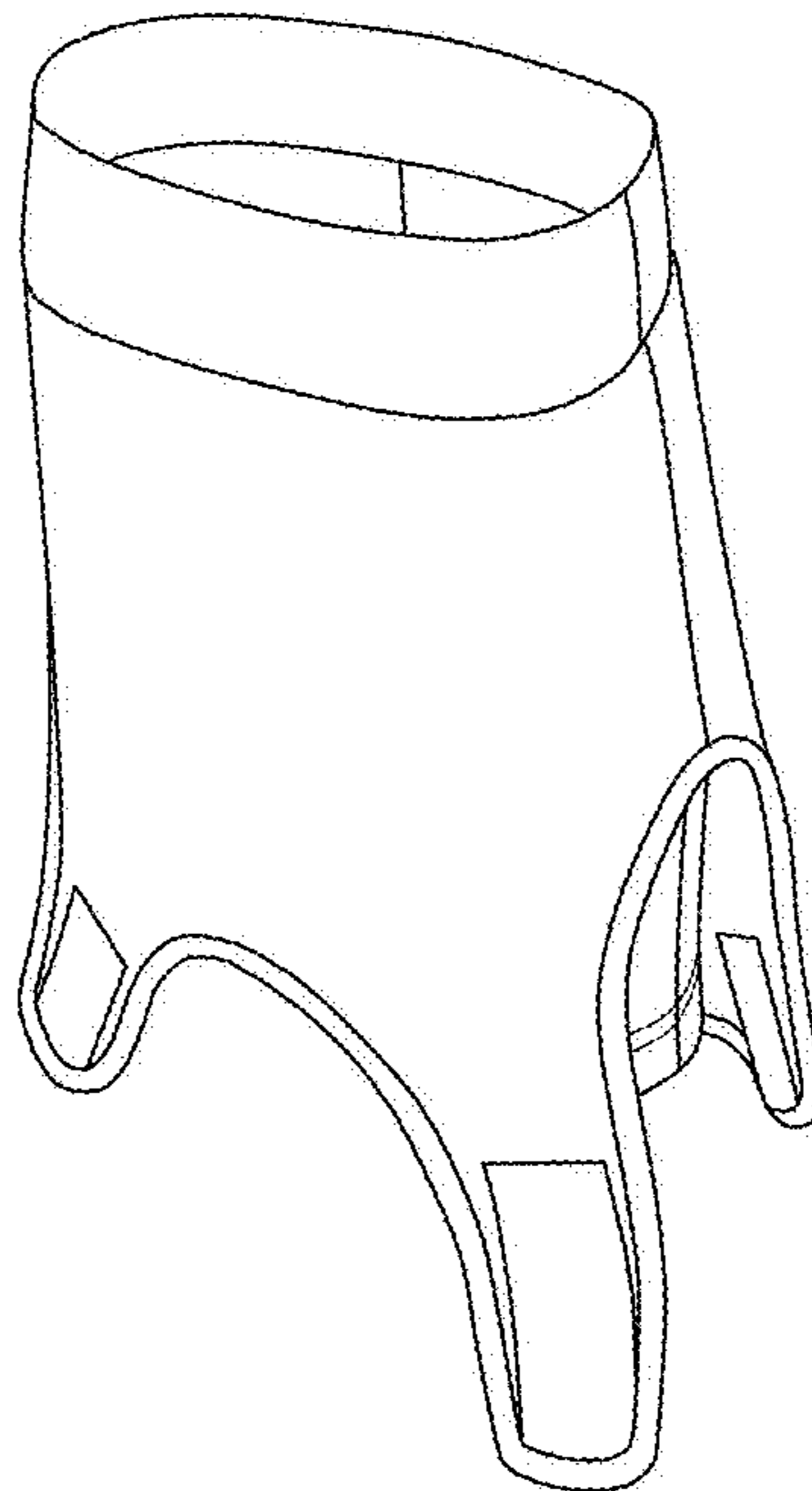
1.13



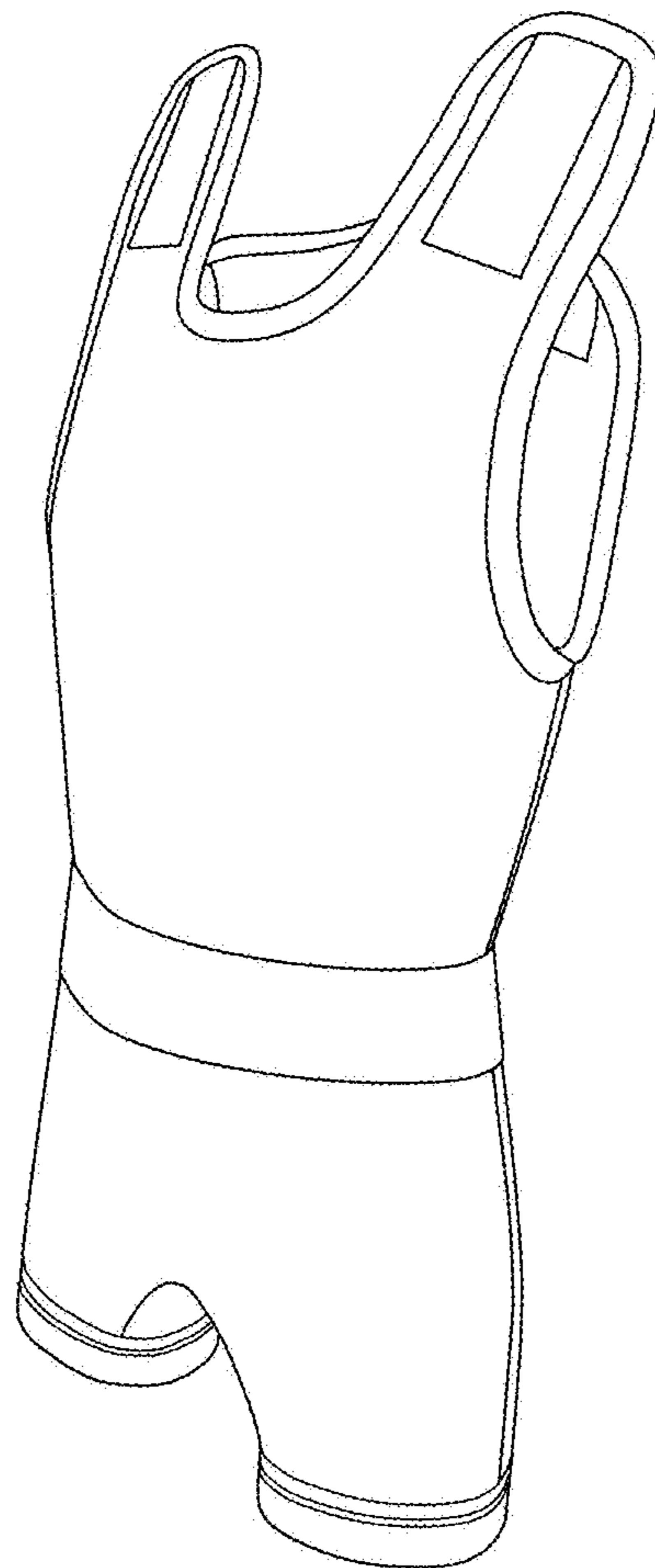
1.14



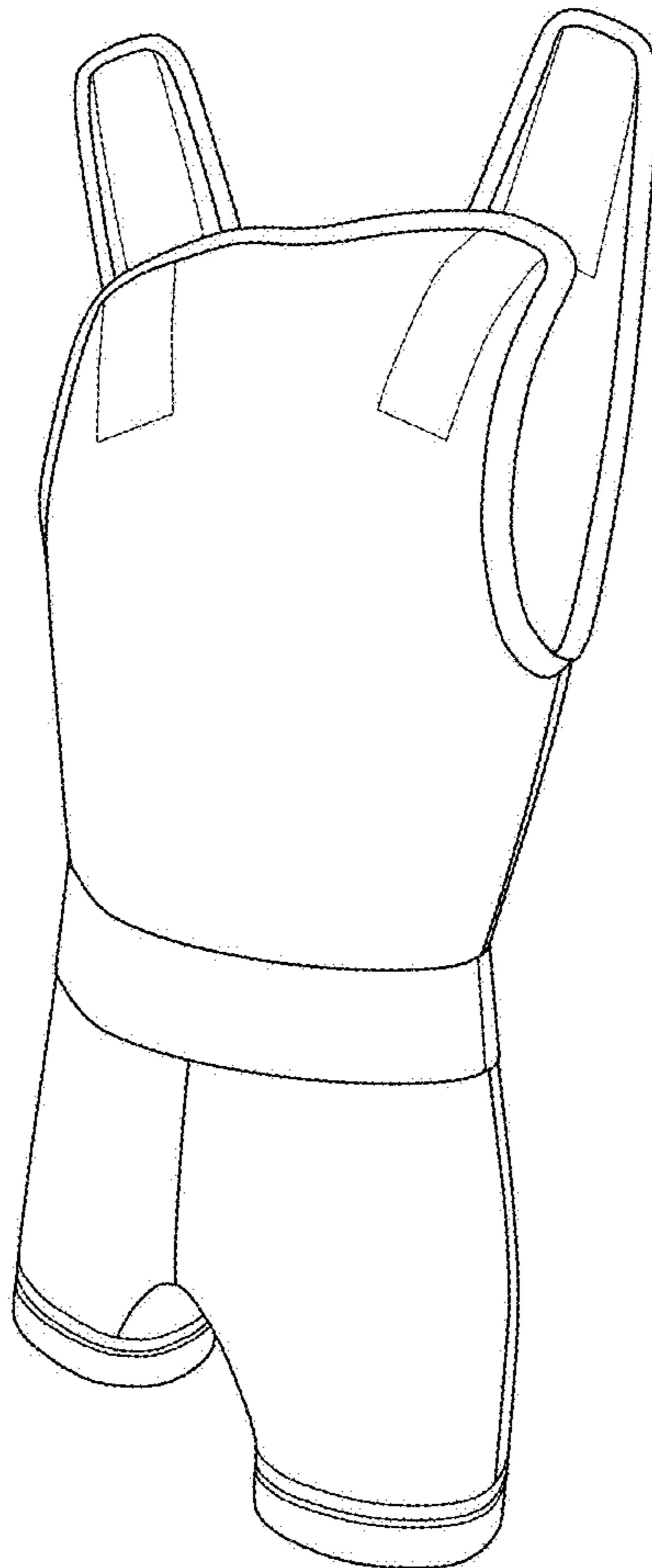
1.15



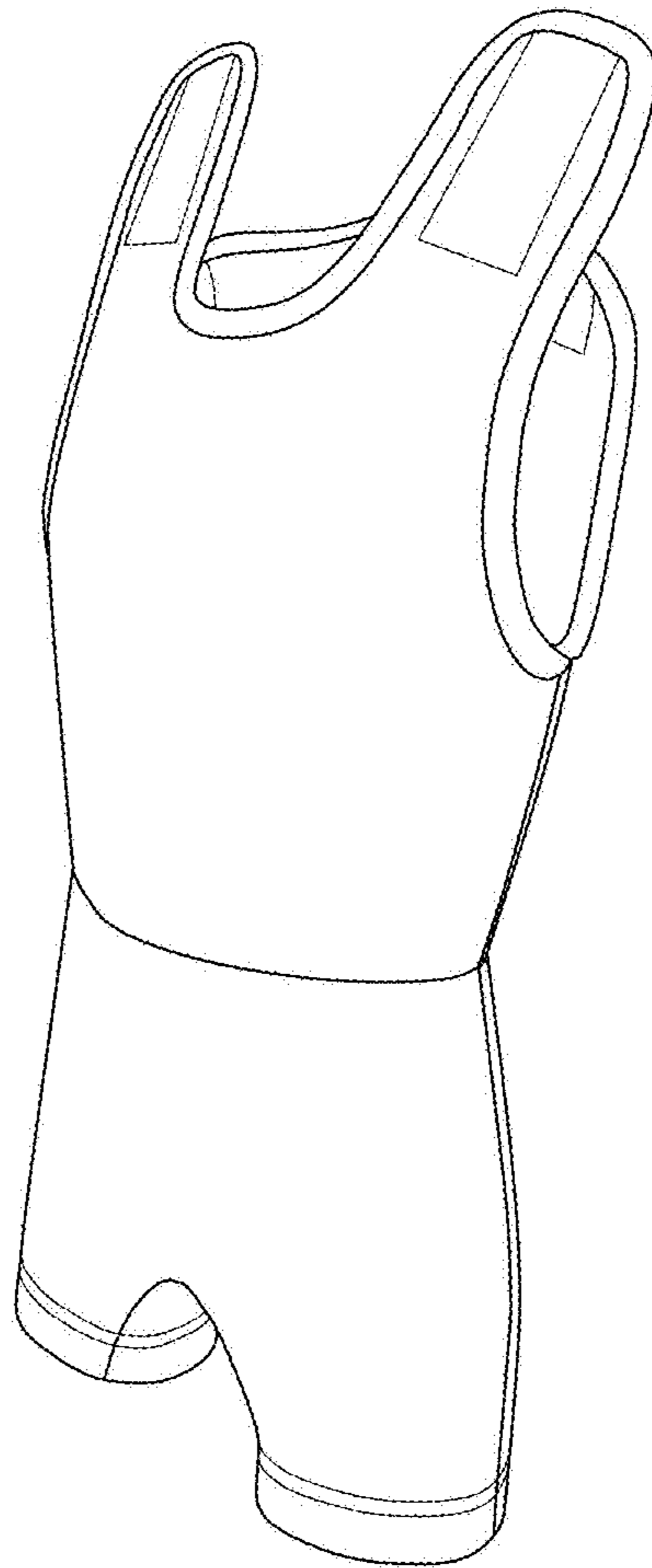
1.16



1.17



1.18



1.19

