



US00D891034S

(12) **United States Design Patent**
Laughlin

(10) **Patent No.:** **US D891,034 S**
(45) **Date of Patent:** **** Jul. 28, 2020**

(54) **SLEEVE PULLER**

(71) Applicant: **Thelma L Laughlin**, New Hope, AL
(US)

(72) Inventor: **Thelma L Laughlin**, New Hope, AL
(US)

(**) Term: **15 Years**

(21) Appl. No.: **29/669,581**

(22) Filed: **Nov. 9, 2018**

Related U.S. Application Data

(63) Continuation of application No. 15/616,685, filed on
Jun. 7, 2017, now abandoned.

(51) **LOC (12) Cl.** **07-99**

(52) **U.S. Cl.**
USPC **D2/641**

(58) **Field of Classification Search**
USPC D2/641–643, 979, 999; D3/200, 207;
D20/27; D24/136; D28/91.2; D32/46;
D7/688; D8/19, 45; D11/221
CPC A47G 25/80; A47G 25/82; A47G 25/84;
A47G 25/86; A47G 25/88; A47G 25/90;
A47G 25/901; A47G 25/902; A47G
25/904; A47G 25/905; A47G 25/907;
A47G 25/908; A47G 25/92; B44D 3/162;
E04F 21/161

See application file for complete search history.

(56) **References Cited**

U.S. PATENT DOCUMENTS

1,667,583 A 11/1926 Black
2,840,412 A * 6/1958 Lancaster A47G 25/902
294/3.6
2,888,728 A * 6/1959 Lebermann A47G 25/902
294/3.6

D187,425 S * 3/1960 Cavalero D3/207
2,939,193 A * 6/1960 Morgan A47G 25/902
294/3.6
3,231,160 A 1/1966 Glanville
D363,042 S * 10/1995 Papernik D11/200
D385,415 S * 10/1997 Turbide A47G 25/92
D3/207
5,709,327 A * 1/1998 LaMacchia A44C 5/00
223/111
D415,061 S * 10/1999 Lamacchia A47G 25/902
D11/220
D631,788 S * 2/2011 Dawson A47G 25/902
D11/221
D672,283 S * 12/2012 Spruill D11/1
D708,984 S * 7/2014 MacNeil D11/1
D710,751 S * 8/2014 Hicks Thomas D11/221
9,131,758 B2 * 9/2015 Stein A45C 13/001
D864,556 S * 10/2019 Gendolfe A45C 13/08
D3/207
D866,954 S * 11/2019 Wood D3/207
2008/0217365 A1 9/2008 Fox
2011/0180573 A1 * 7/2011 Rodgers A47G 25/901
223/111
2011/0315724 A1 12/2011 Whitlaw
(Continued)

Primary Examiner — Kevin K Rudzinski
Assistant Examiner — Clare Ann Gannon
(74) *Attorney, Agent, or Firm* — Cynthia R. Wright

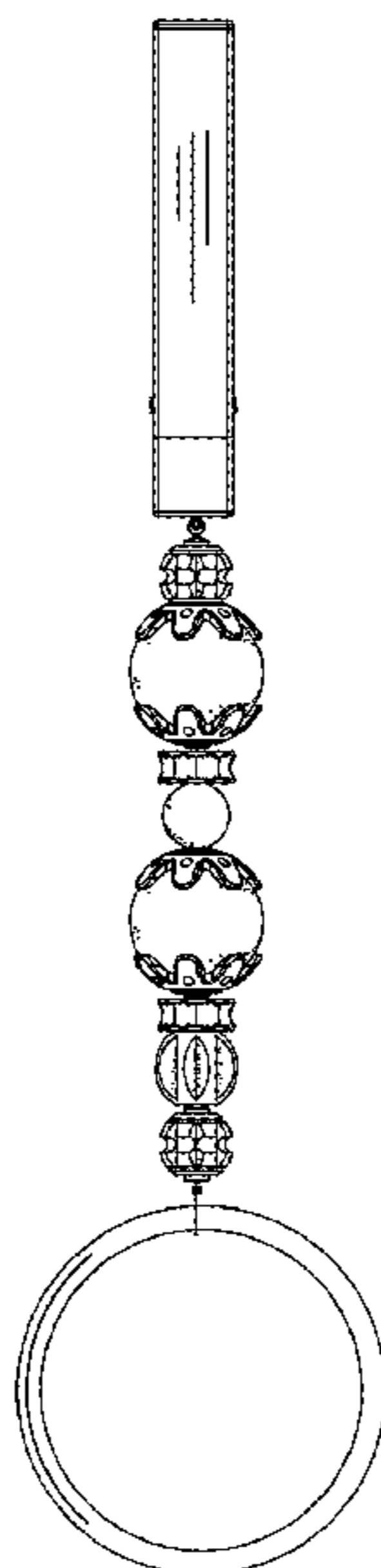
(57) **CLAIM**

The ornamental design for a sleeve puller, as shown and described.

DESCRIPTION

FIG. 1 is a top view.
FIG. 2 is a right side view.
FIG. 3 is a left side view.
FIG. 4 is a front view.
FIG. 5 is a rear view; and,
FIG. 6 is a bottom view.

1 Claim, 3 Drawing Sheets



(56)

References Cited

U.S. PATENT DOCUMENTS

2016/0143399 A1* 5/2016 Neri A47G 25/92
24/40
2017/0007056 A1* 1/2017 Carman A47G 25/92
2018/0008075 A1* 1/2018 Laughlin A47G 25/90
2019/0008301 A1* 1/2019 Shouse A44C 5/0053

* cited by examiner

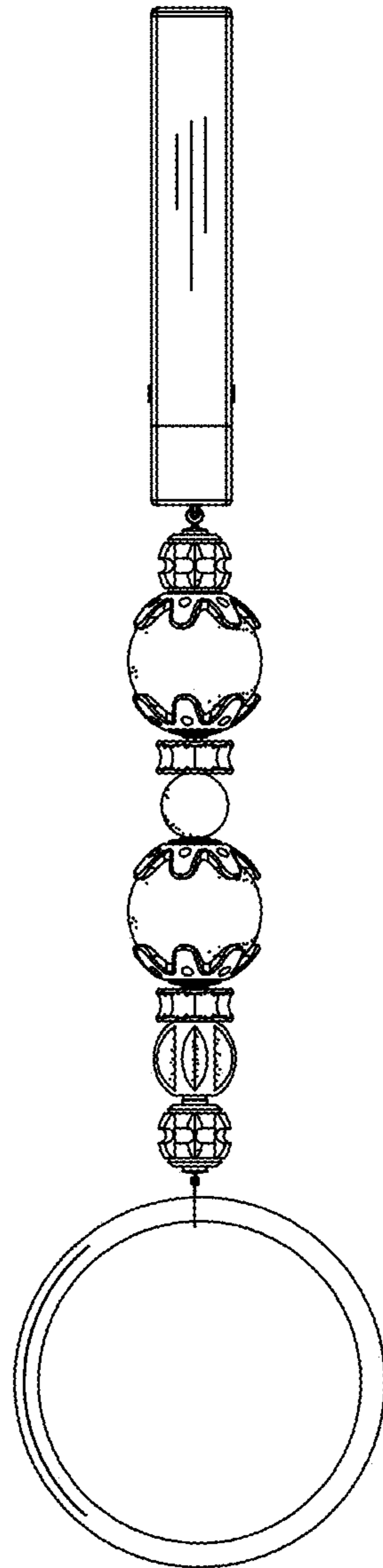


FIG. 1

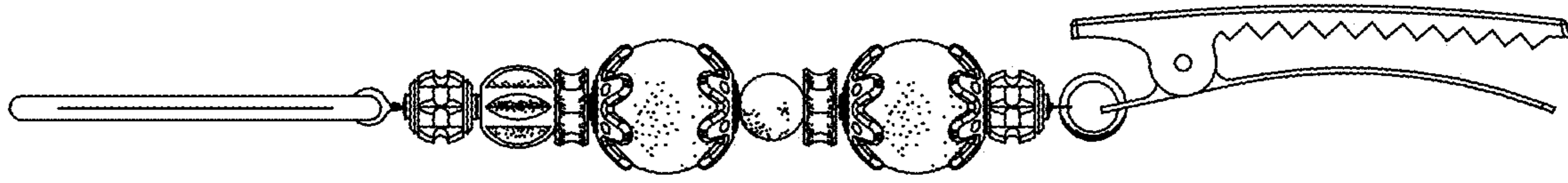


FIG. 2



FIG. 3

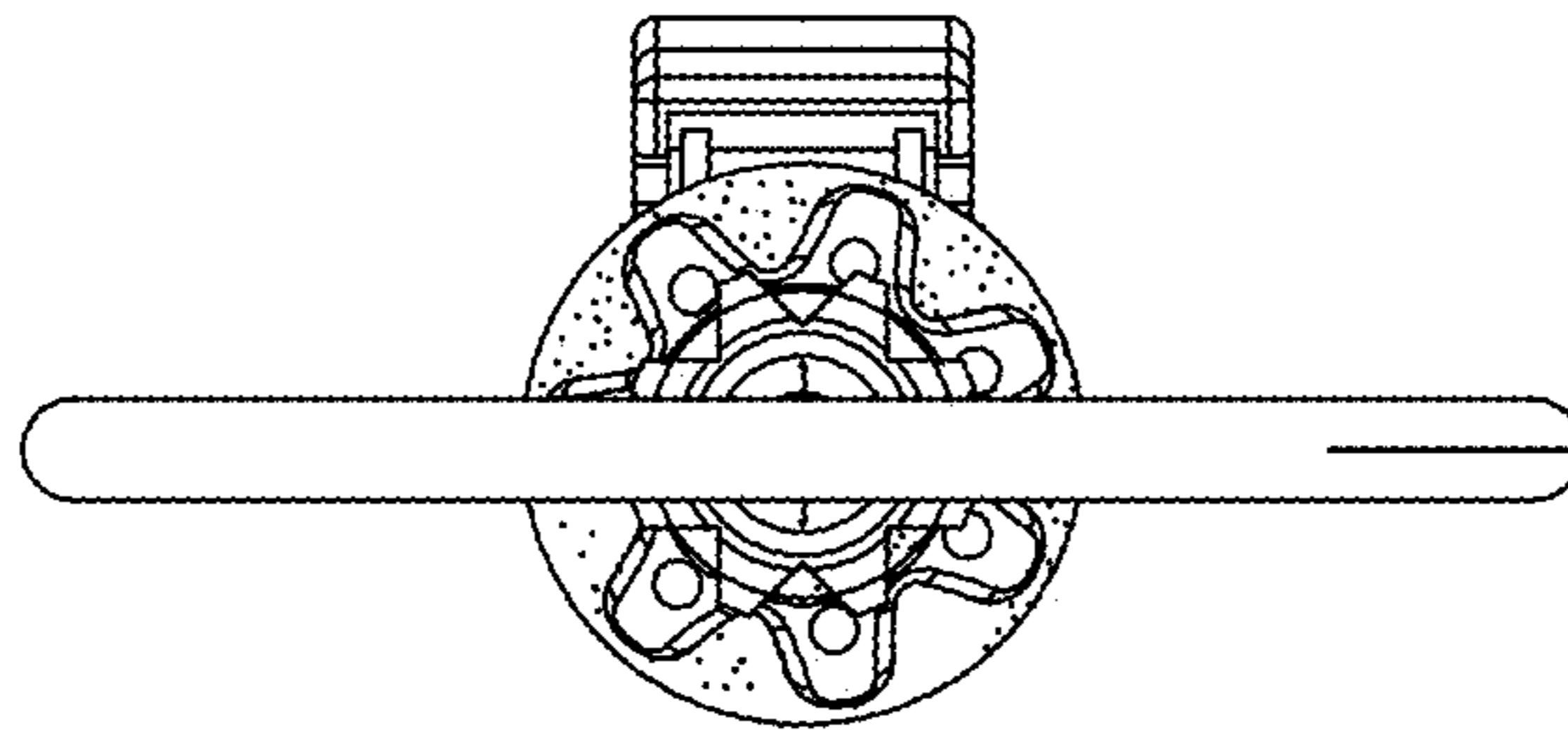


FIG. 4

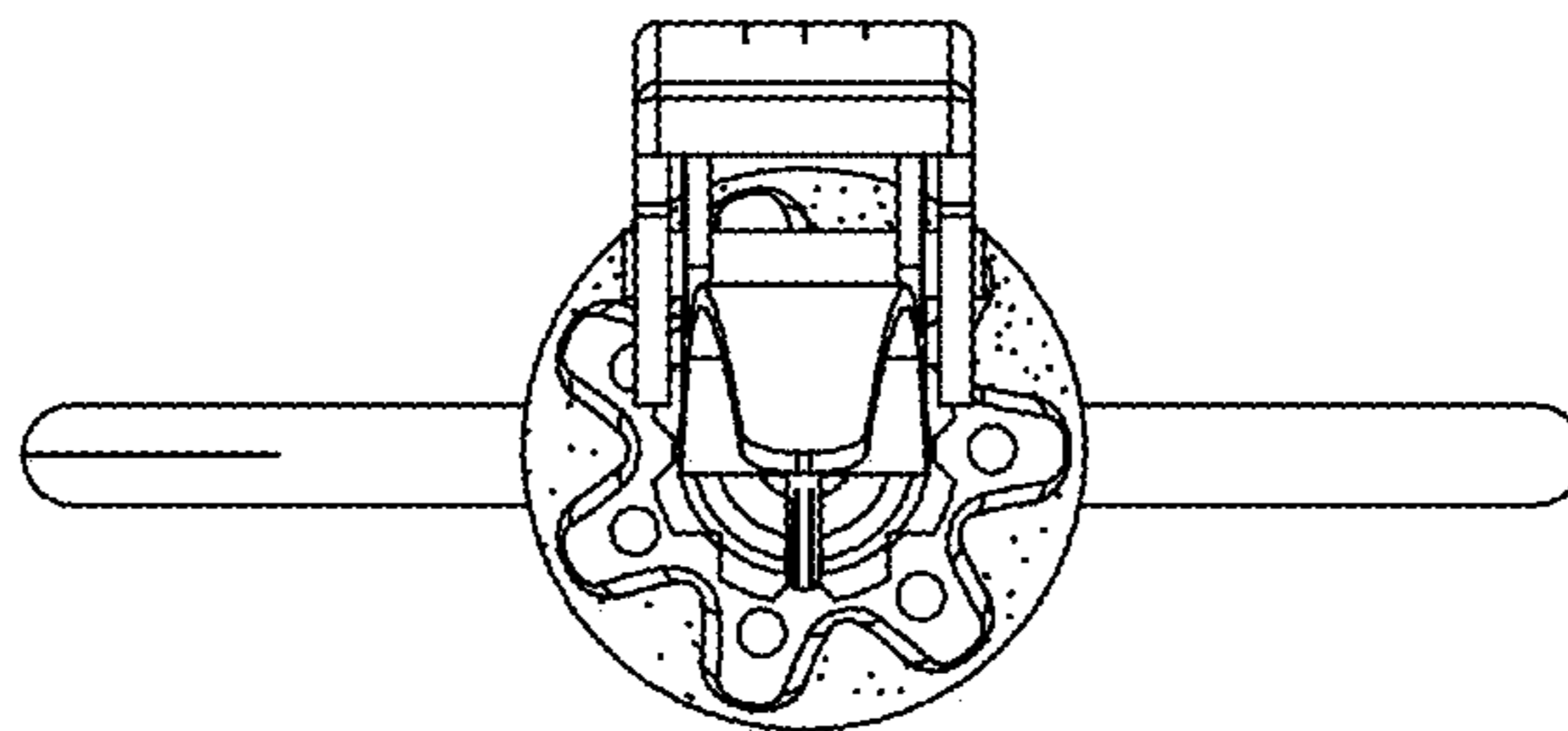


FIG. 5

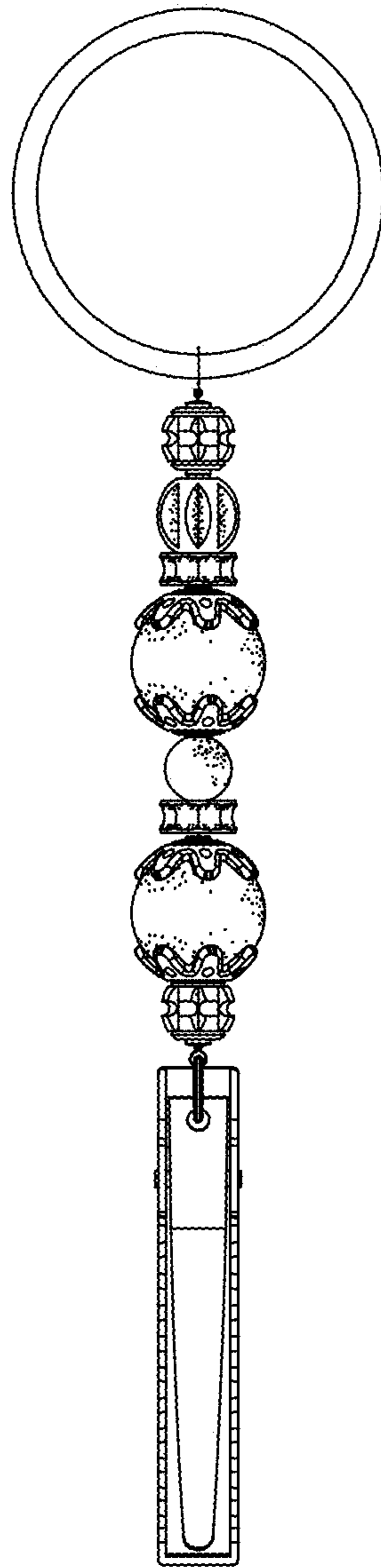


FIG. 6