



US00D891026S

(12) **United States Design Patent**
van Eyk et al.

(10) **Patent No.:** **US D891,026 S**
(45) **Date of Patent:** **** Jul. 28, 2020**

(54) **SALMON PET TREAT**

DESCRIPTION

(71) Applicant: **Spectrum Brands, Inc.**, Middleton, WI (US)

(72) Inventors: **Gregory van Eyk**, Christianburg, VA (US); **Tiffany Potter**, Pearisburg, VA (US); **Stephanie Hullverson**, Saint Louis, MO (US)

(73) Assignee: **Spectrum Brands, Inc.**, Middleton, WI (US)

(**) Term: **15 Years**

(21) Appl. No.: **29/681,325**

(22) Filed: **Feb. 25, 2019**

(51) **LOC (12) Cl.** **01-01**

(52) **U.S. Cl.**
USPC **D1/106**

(58) **Field of Classification Search**
USPC D1/100–130, 199; 426/5, 76, 87, 92, 94, 426/95, 101, 103, 104, 108, 134,
(Continued)

(56) **References Cited**

U.S. PATENT DOCUMENTS

D68,619 S * 11/1925 Epstein D1/127
2,776,215 A 5/1951 Thomas
(Continued)

OTHER PUBLICATIONS

“Zuke’s Z-Filets Select Grain Free Dog Treat Grilled Beef.” Walmart.com. Jan. 9, 2018. Web. Jan. 31, 2020. <<https://www.walmart.com/ip/Zuke-s-Z-Filets-Select-Grain-Free-Dog-Treat-Grilled-Beef-7>>.*

Primary Examiner — Katie Jane Stofko

(74) *Attorney, Agent, or Firm* — Merchant & Gould P.C.

(57) **CLAIM**

The ornamental design for a salmon pet treat, as shown and described.

FIG. 1 is front, top and right side perspective view of a first embodiment of a salmon pet treat according to the new design;

FIG. 2 is a front, bottom and left side perspective view of the embodiment of FIG. 1;

FIG. 3 is a front view of the embodiment of FIG. 1;

FIG. 4 is a back view of the embodiment of FIG. 1;

FIG. 5 is a right side elevation view of the embodiment of FIG. 1;

FIG. 6 is a left side elevation view of the embodiment of FIG. 1;

FIG. 7 is a top plan view of the embodiment of FIG. 1;

FIG. 8 is a bottom plan view of the embodiment of FIG. 1;

FIG. 9 is front, top and right side perspective view of a second embodiment of a salmon pet treat according to the new design;

FIG. 10 is a front, bottom and left side perspective view of the embodiment of FIG. 9;

FIG. 11 is a front view of the embodiment of FIG. 9;

FIG. 12 is a back view of the embodiment of FIG. 9;

FIG. 13 is a right side elevation view of the embodiment of FIG. 9;

FIG. 14 is a left side elevation view of the embodiment of FIG. 9;

FIG. 15 is a top plan view of the embodiment of FIG. 9;

FIG. 16 is a bottom plan view of the embodiment of FIG. 9;

FIG. 17 is front, top and right side perspective view of a third embodiment of a salmon pet treat according to the new design;

FIG. 18 is a front, bottom and left side perspective view of the embodiment of FIG. 17;

FIG. 19 is a front view of the embodiment of FIG. 17;

FIG. 20 is a back view of the embodiment of FIG. 17;

FIG. 21 is a right side elevation view of the embodiment of FIG. 17;

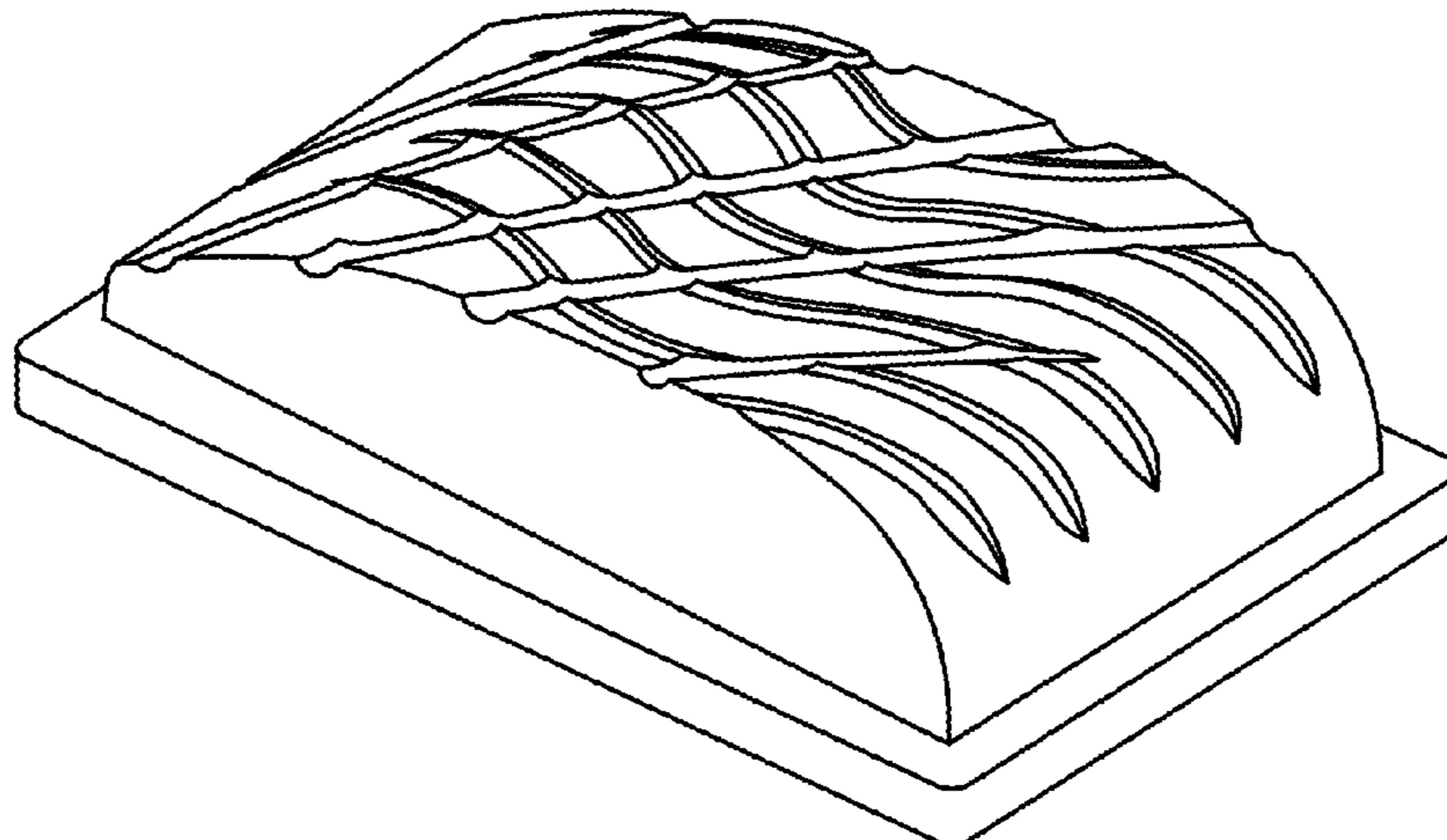
FIG. 22 is a left side elevation view of the embodiment of FIG. 17;

FIG. 23 is a top plan view of the embodiment of FIG. 17;

and,
FIG. 24 is a bottom plan view of the embodiment of FIG. 17.

The evenly-spaced broken lines in the drawings illustrate portions of the salmon pet treat that form no part of the

(Continued)



claimed design. The dash-dot broken lines in the drawings illustrate the boundary of the claimed design that forms no part thereof.

1 Claim, 12 Drawing Sheets

(58) **Field of Classification Search**

USPC 426/138-139, 143, 144, 279, 282, 283,
426/391, 514, 549, 559, 560, 660, 808;
D30/60; D11/1, 86; D21/386, 658
CPC B26D 3/11; A47J 37/043; A47J 37/049;
A47J 43/18; A22C 17/006; A22C
13/0013; A23L 1/164; A23L 1/005; A23B
4/10; B65D 81/343

See application file for complete search history.

(56) **References Cited**

U.S. PATENT DOCUMENTS

D330,794 S * 11/1992 Kesdekoglu D1/127
5,237,961 A 8/1993 Sarullo

D406,516 S * 3/1999 Ali D8/90
D417,766 S * 12/1999 Sherman D1/127
D428,682 S * 8/2000 Rapaport D1/129
D493,272 S * 7/2004 Tarver D1/106
D495,116 S * 8/2004 Trocme D1/100
6,770,318 B1 8/2004 Roussell et al.
D498,571 S 11/2004 Lawrenson et al.
D509,642 S * 9/2005 Cudjoe D1/121
D510,171 S 10/2005 Lawrenson
D535,082 S 1/2007 Adkins
D551,426 S 9/2007 Ahmed et al.
D578,730 S * 10/2008 Cowen-Hughes D1/115
D592,376 S * 5/2009 Wilson D1/127
D607,180 S 1/2010 Slusarczyk et al.
D607,181 S 1/2010 Slusarczyk et al.
D645,636 S 9/2011 Liu et al.
D658,347 S 5/2012 Gottardi
D665,557 S * 8/2012 Afchain D1/127
D744,192 S 12/2015 Cole et al.
D796,775 S * 9/2017 Amoako-Poku D1/127
D822,333 S * 7/2018 Amoako-Poku D1/127

* cited by examiner

FIG. 1

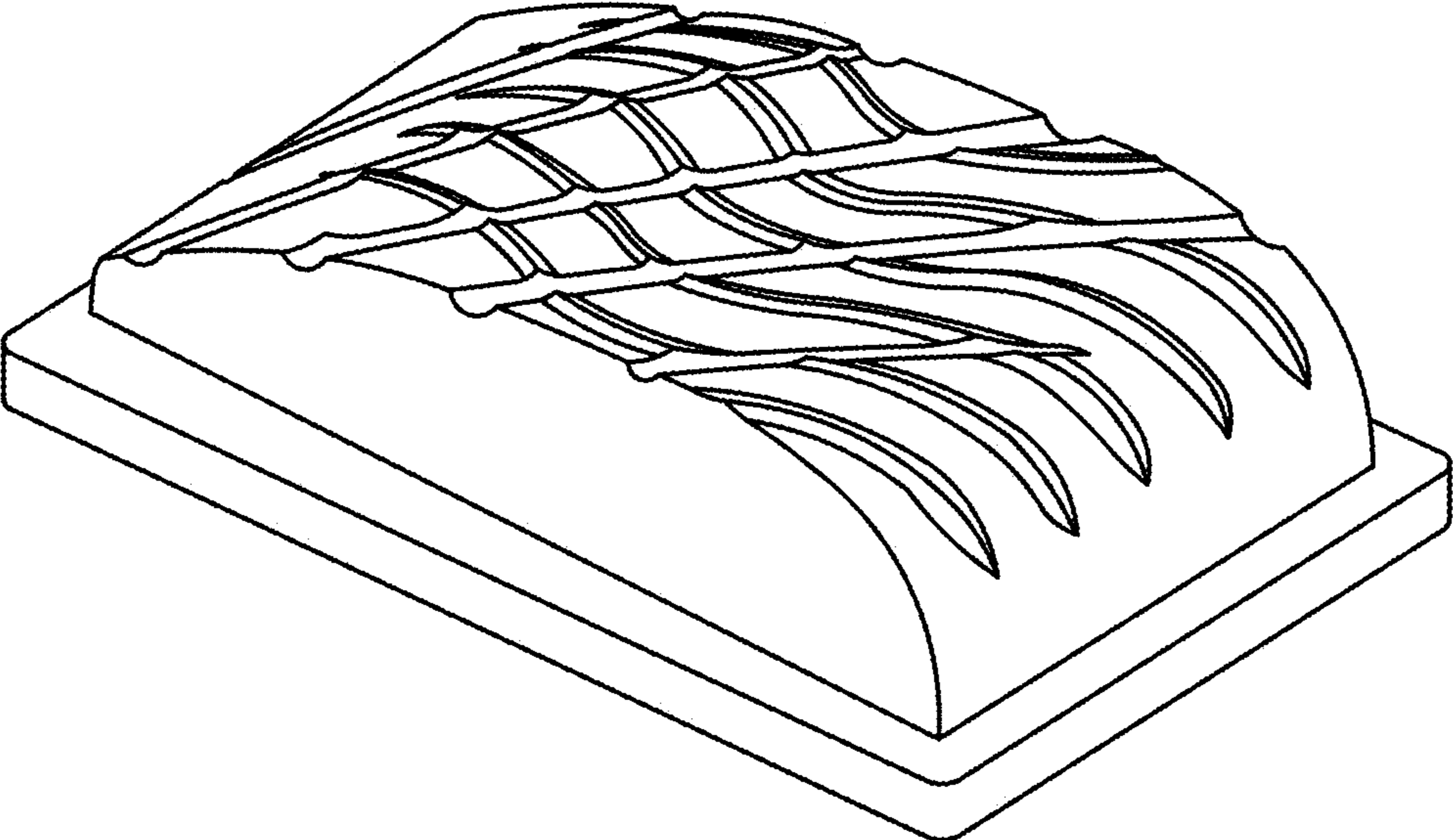


FIG. 2

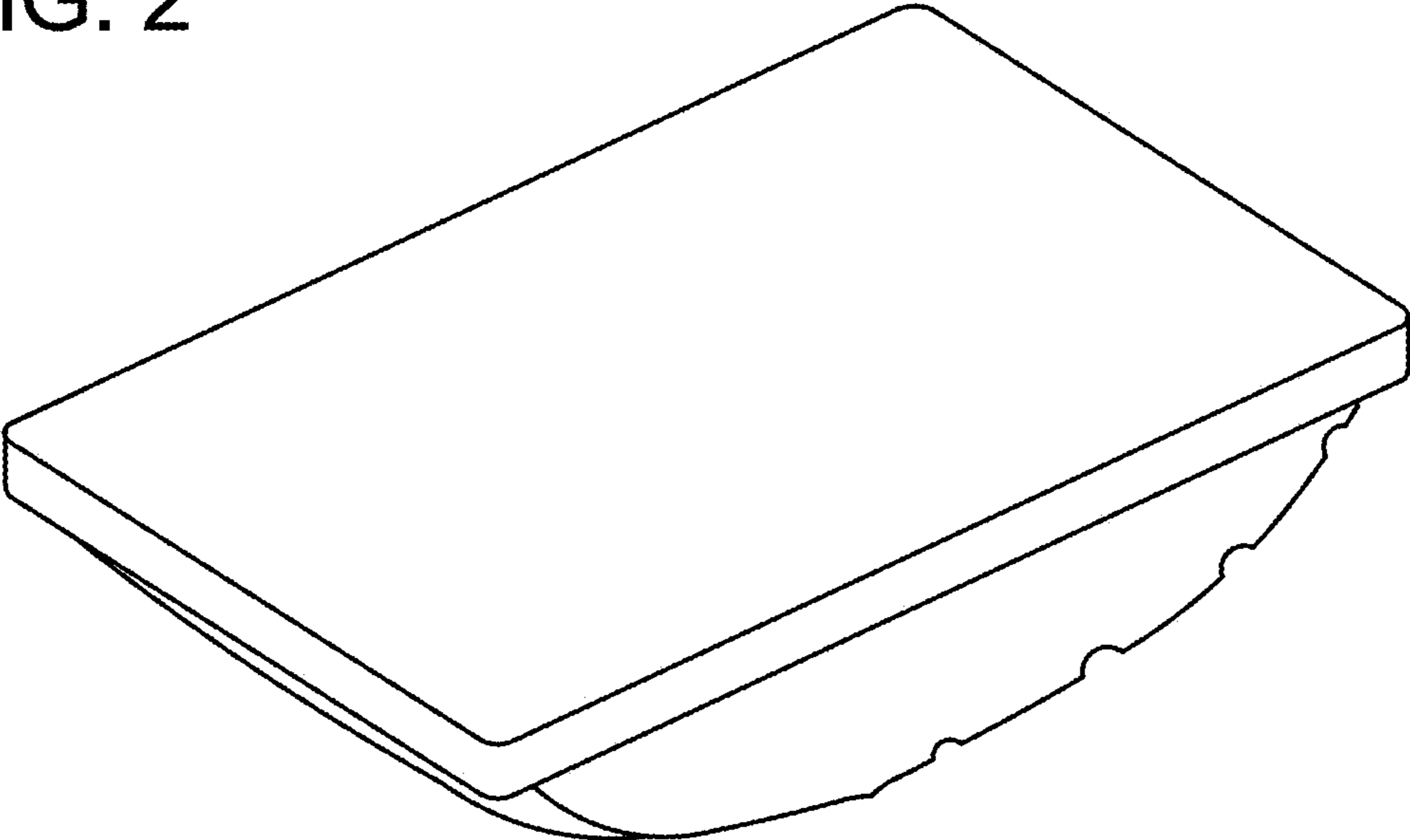


FIG. 3

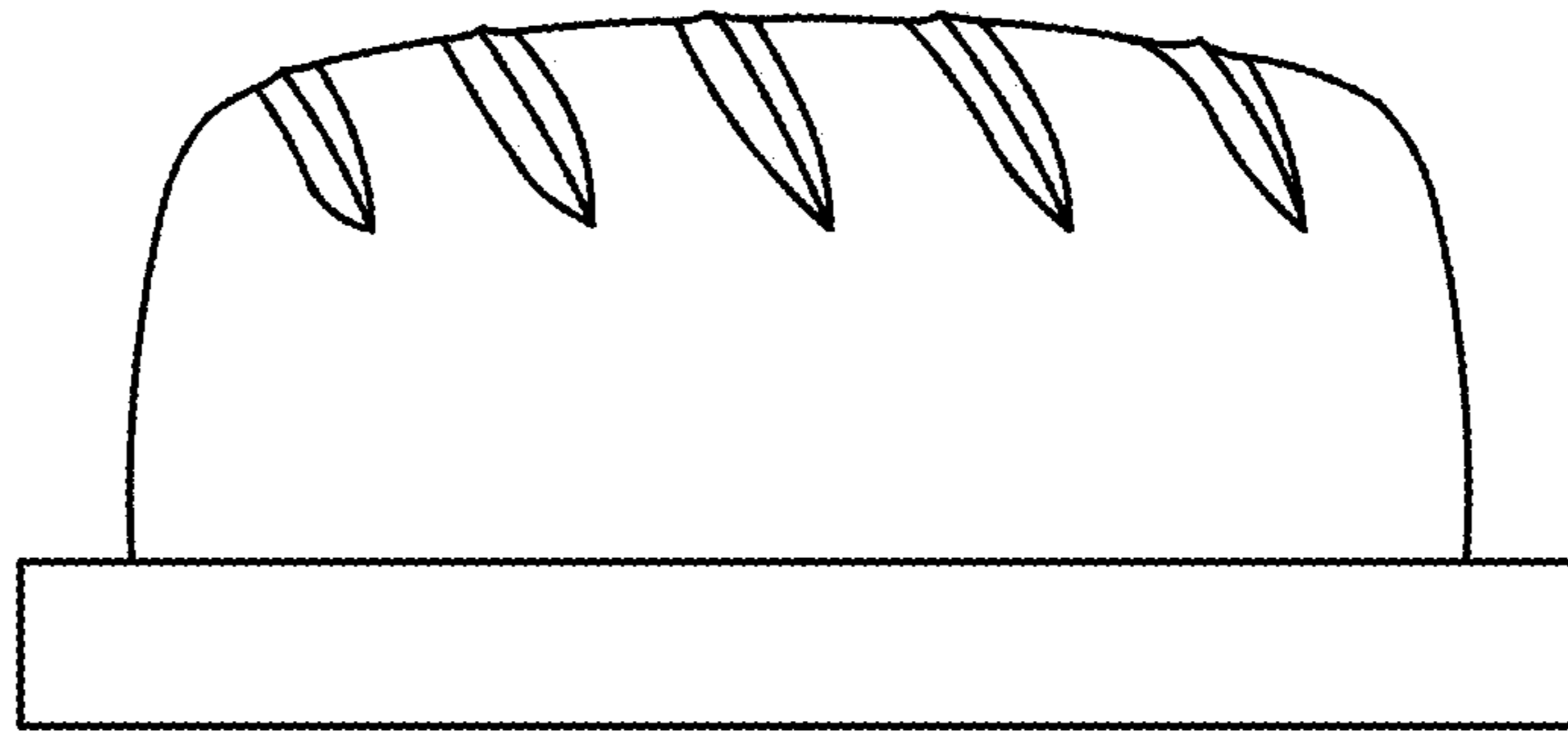


FIG. 4

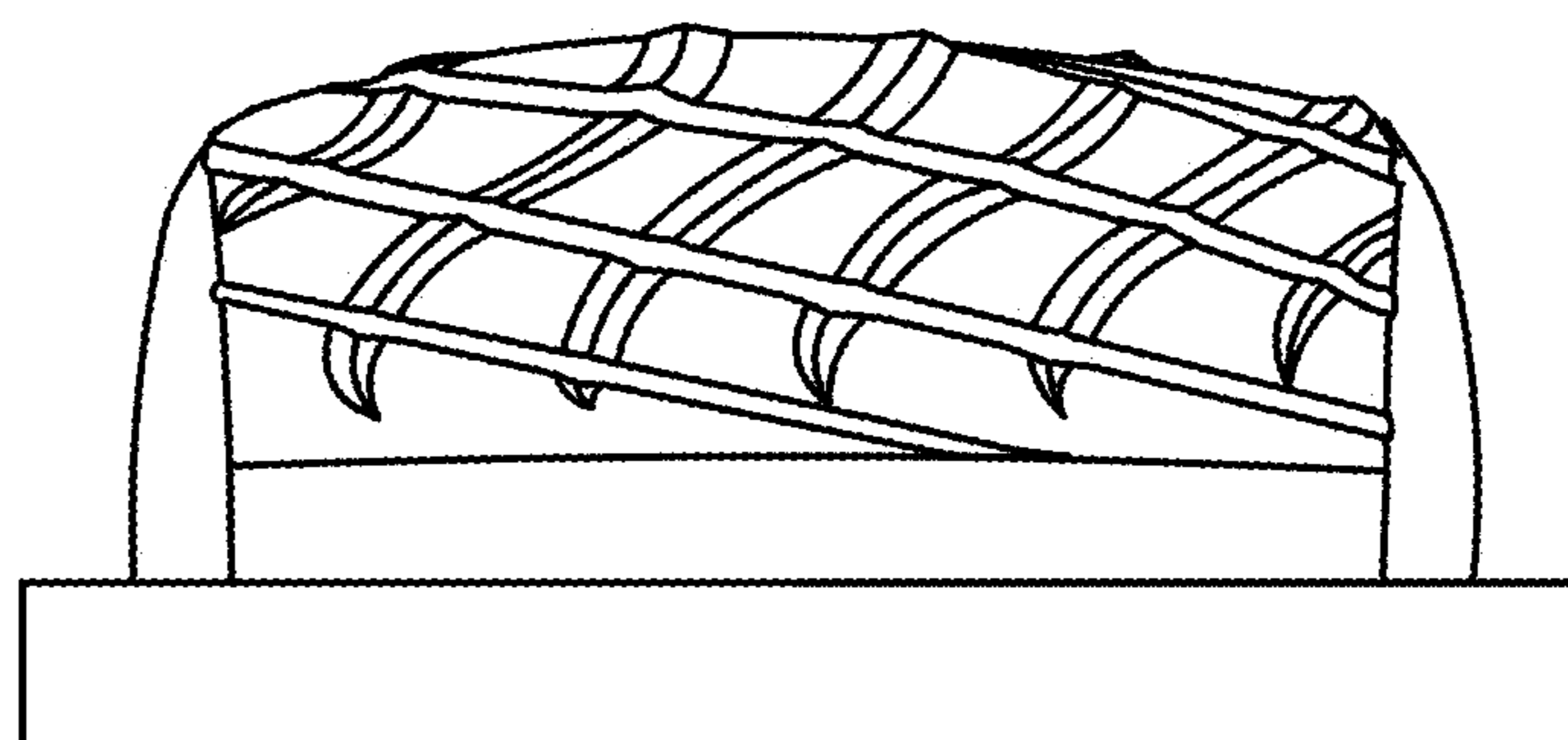


FIG. 5

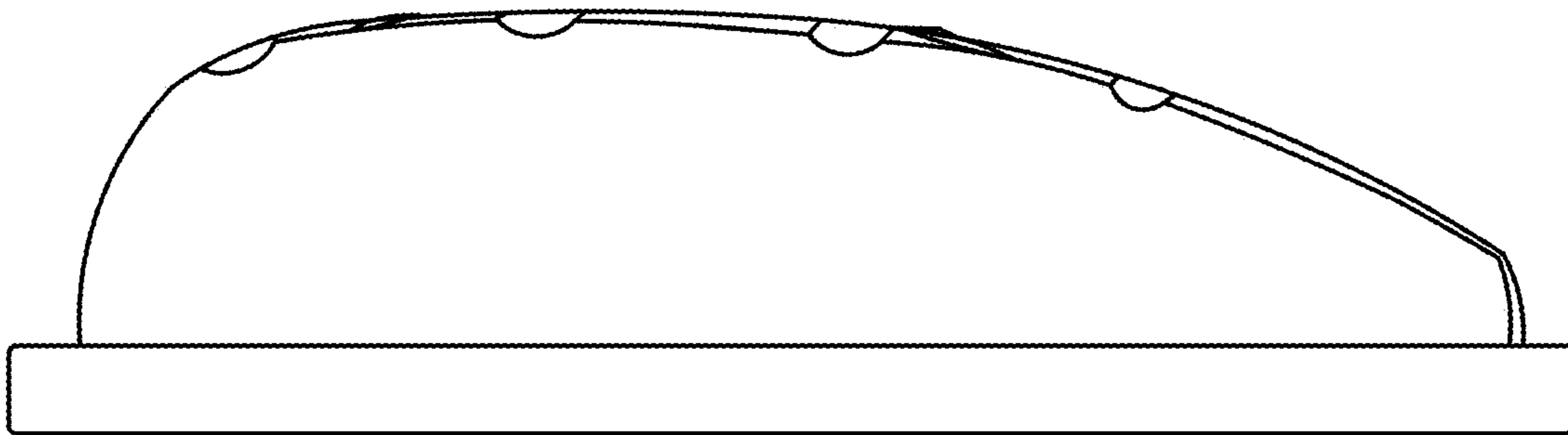


FIG. 6

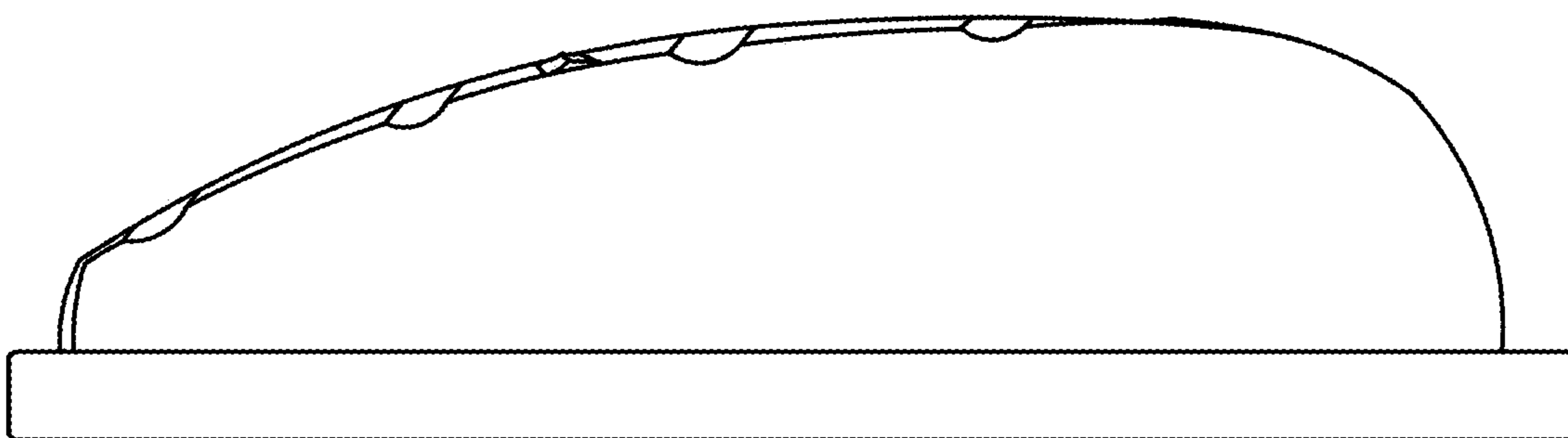


FIG. 8

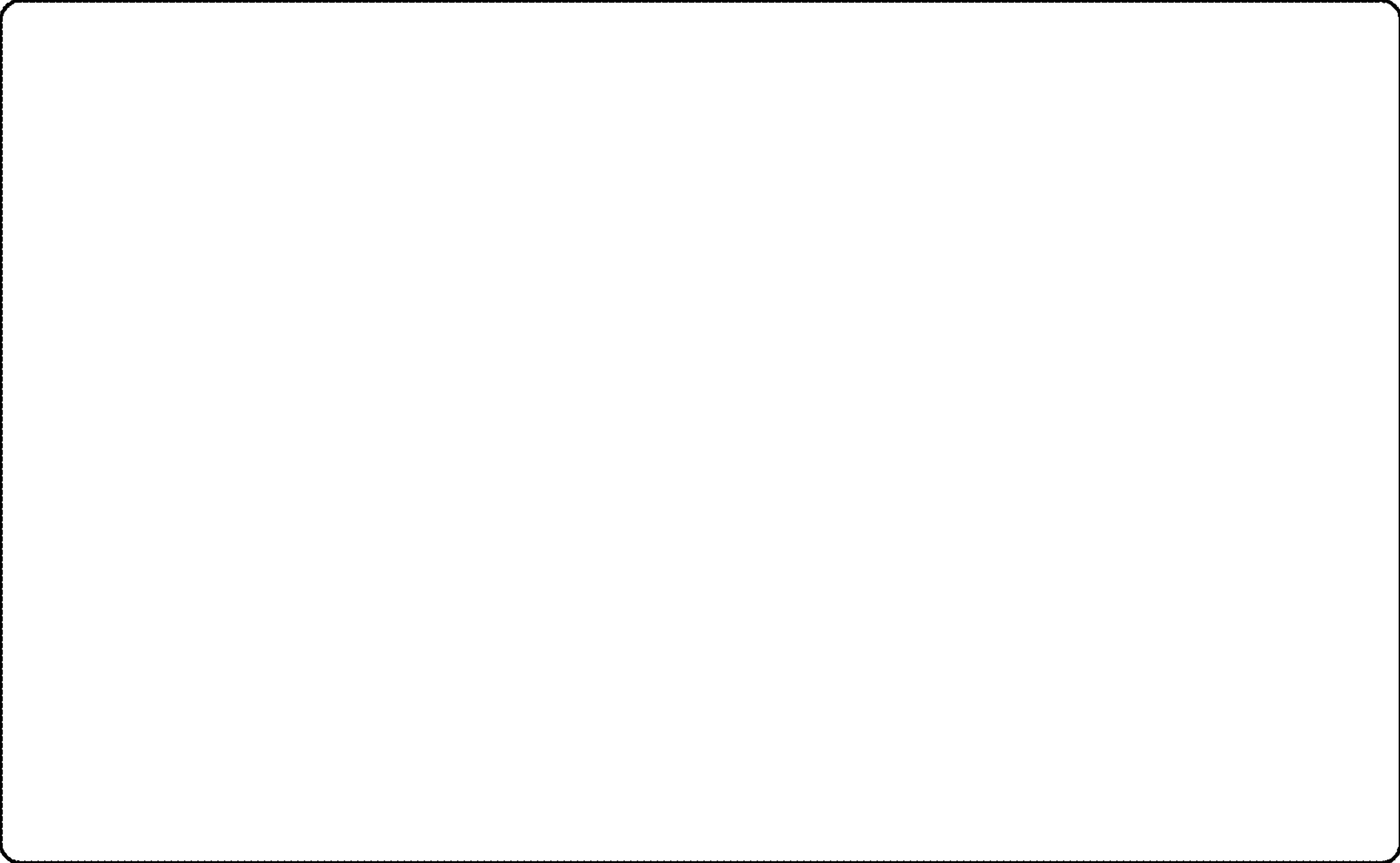


FIG. 7

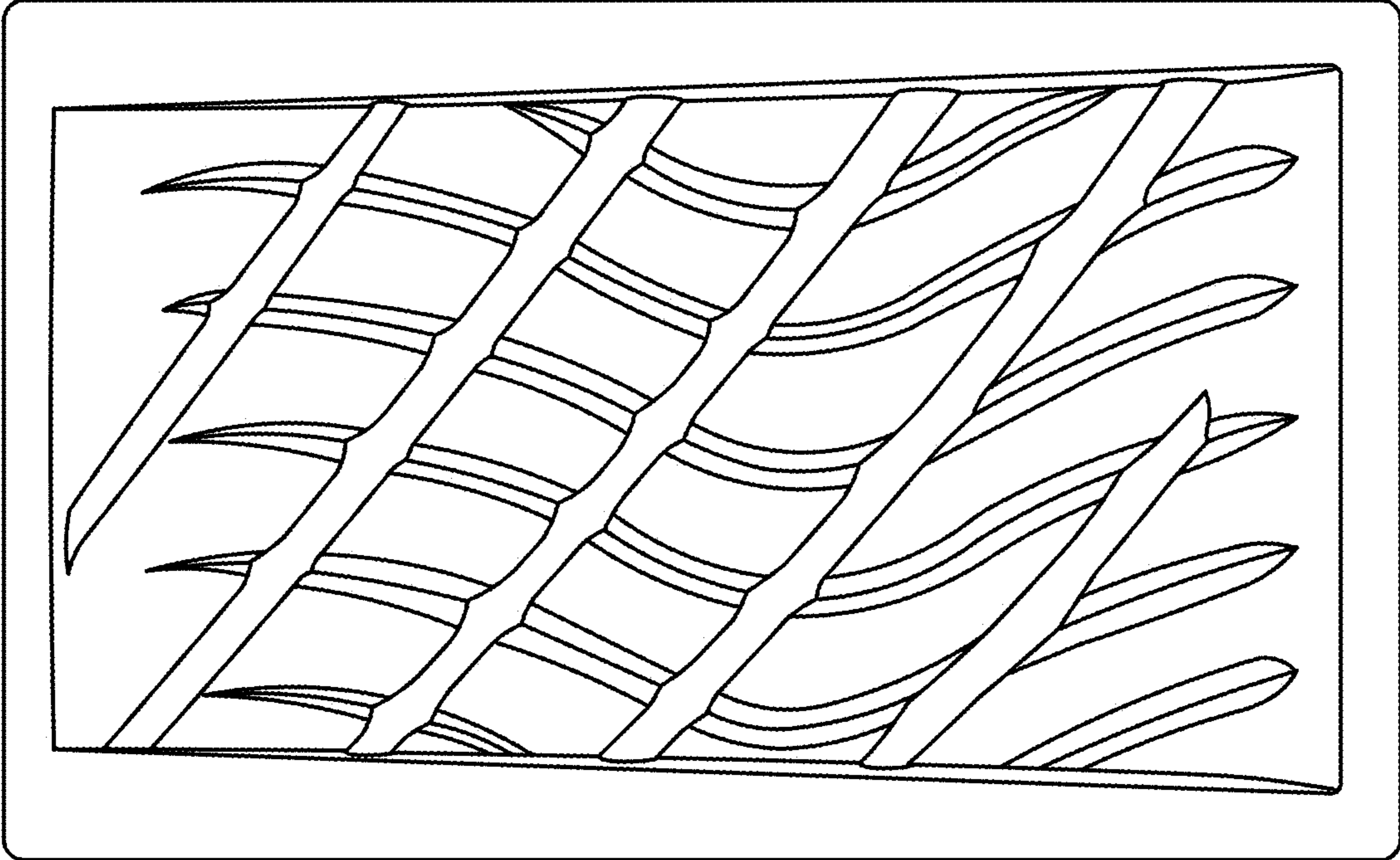


FIG. 9

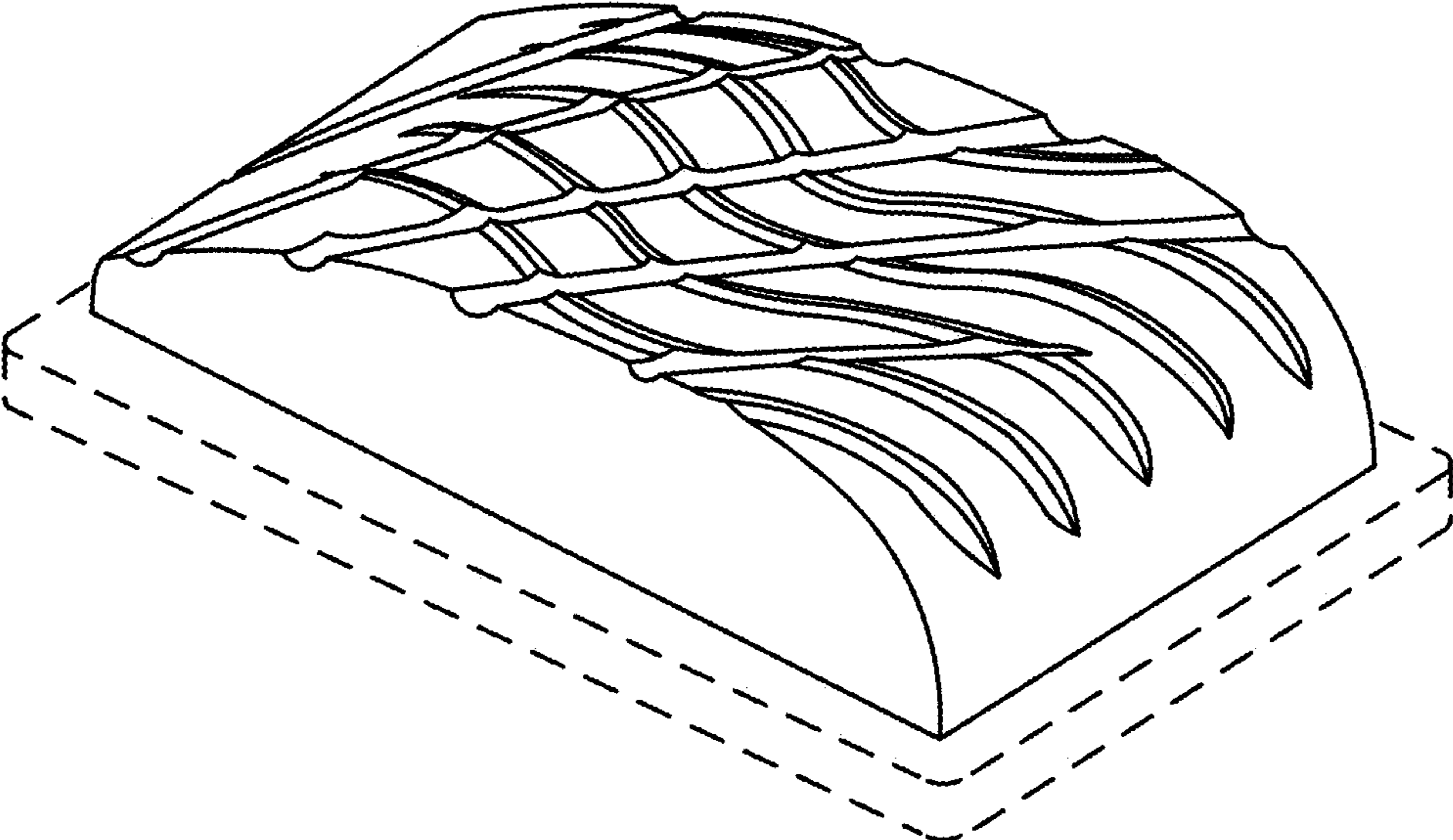


FIG. 10

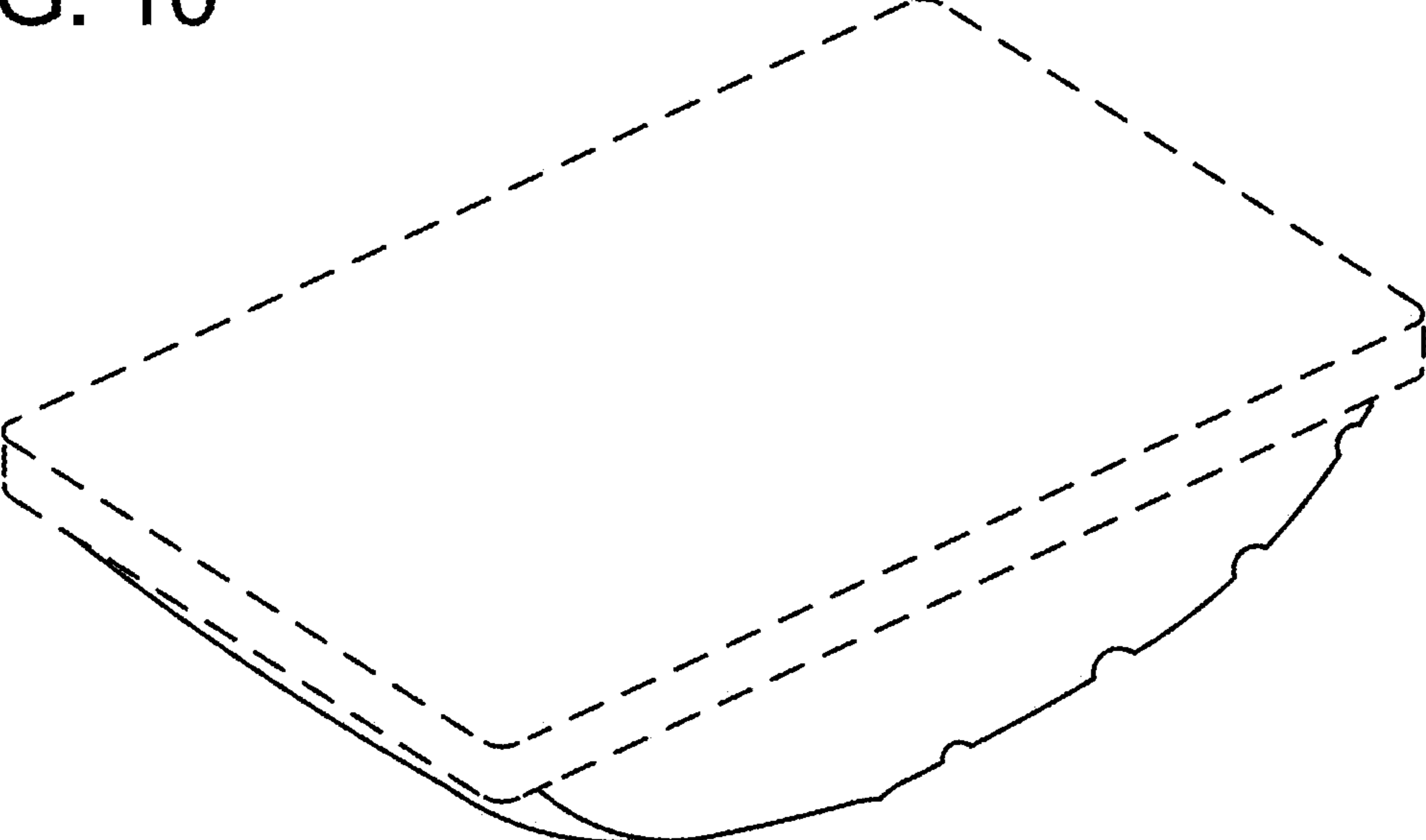


FIG. 11

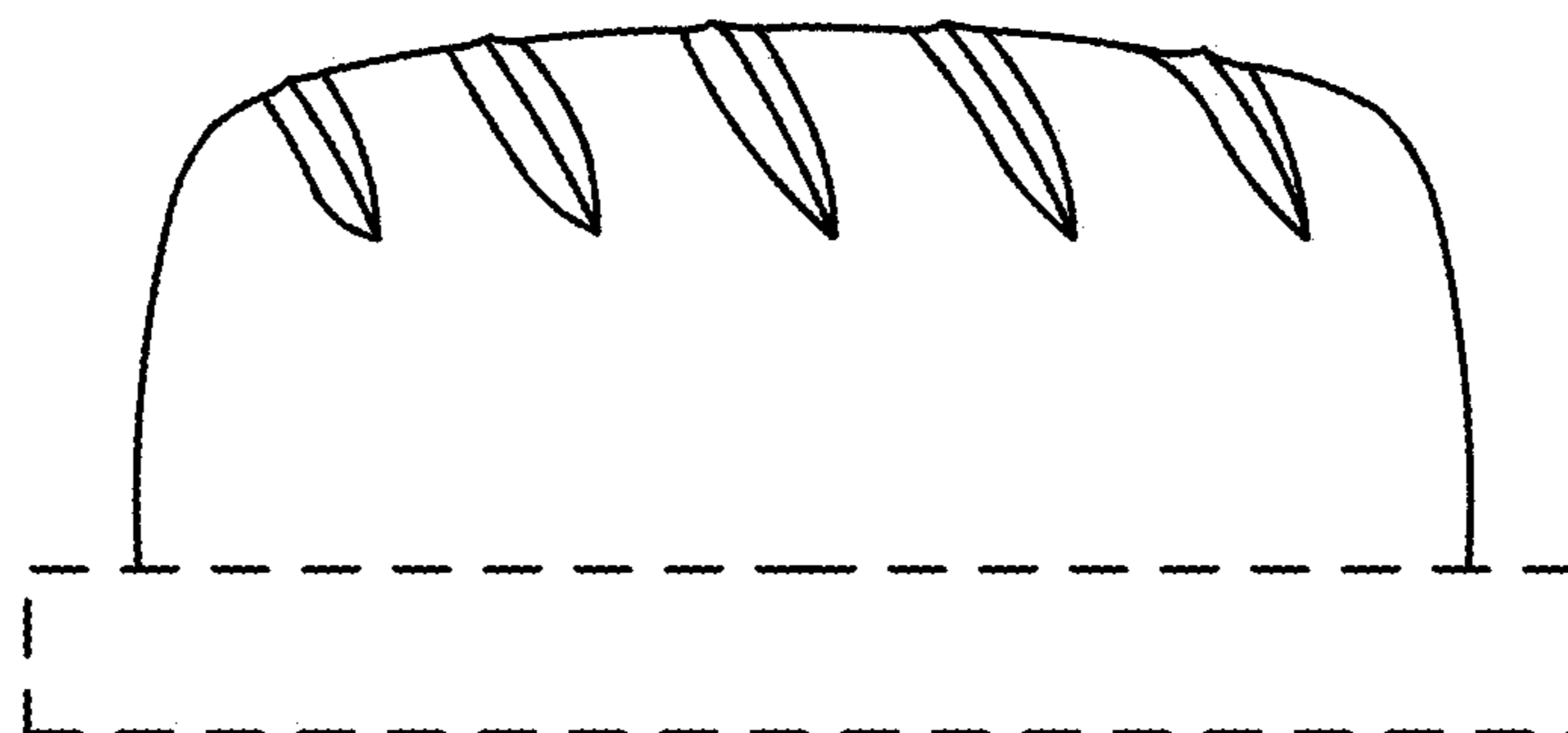


FIG. 12

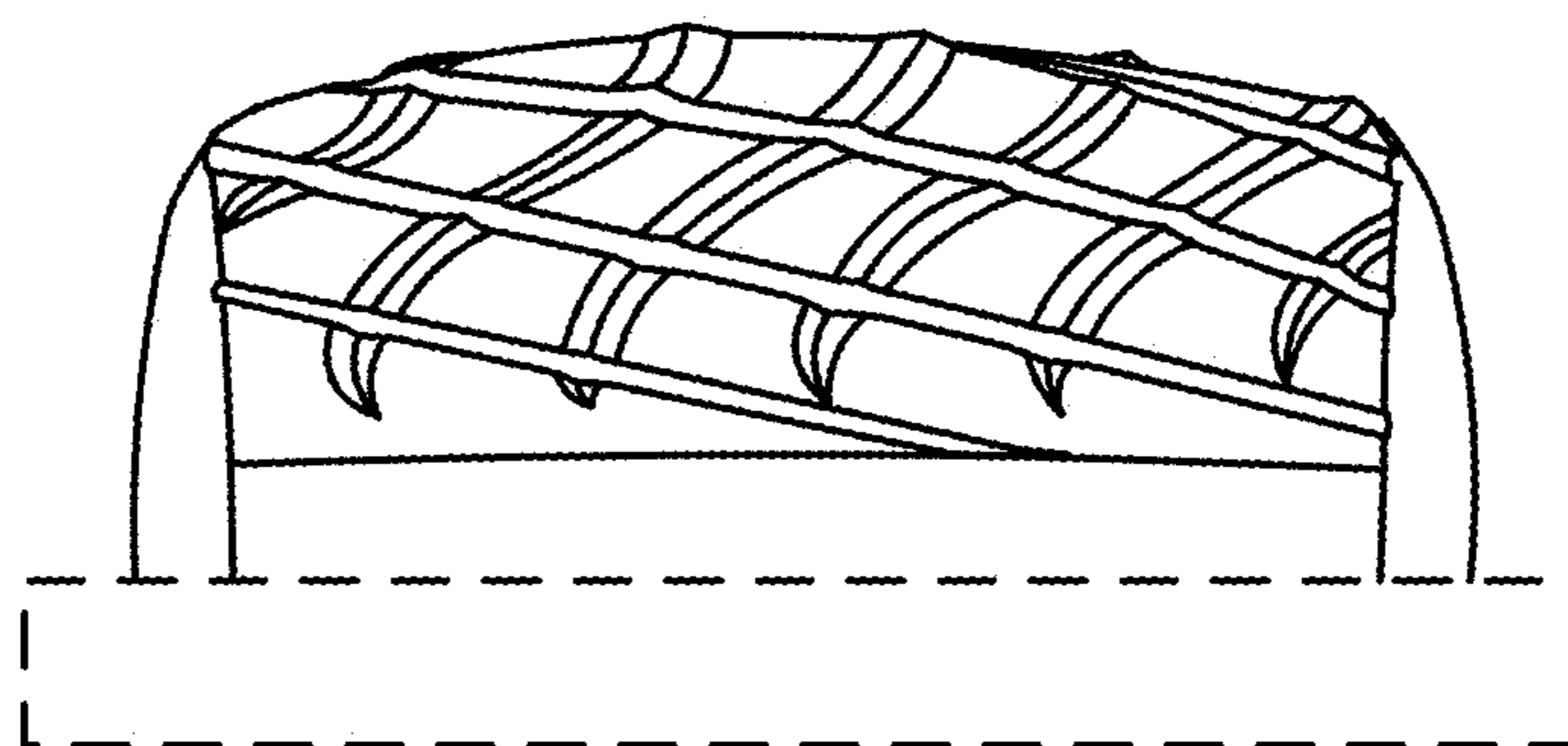


FIG. 13

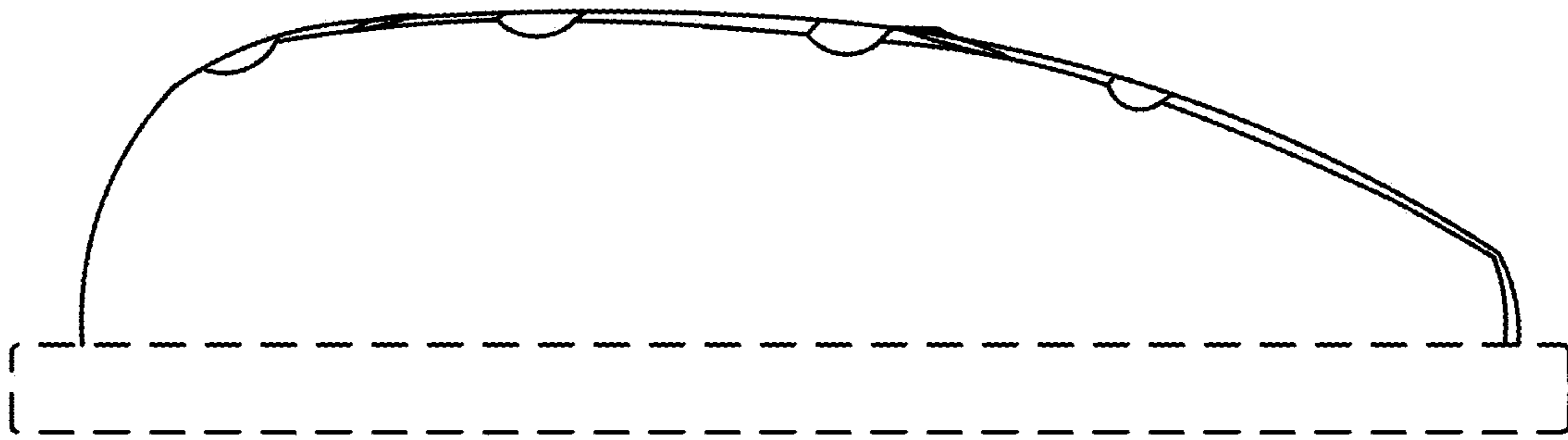


FIG. 14

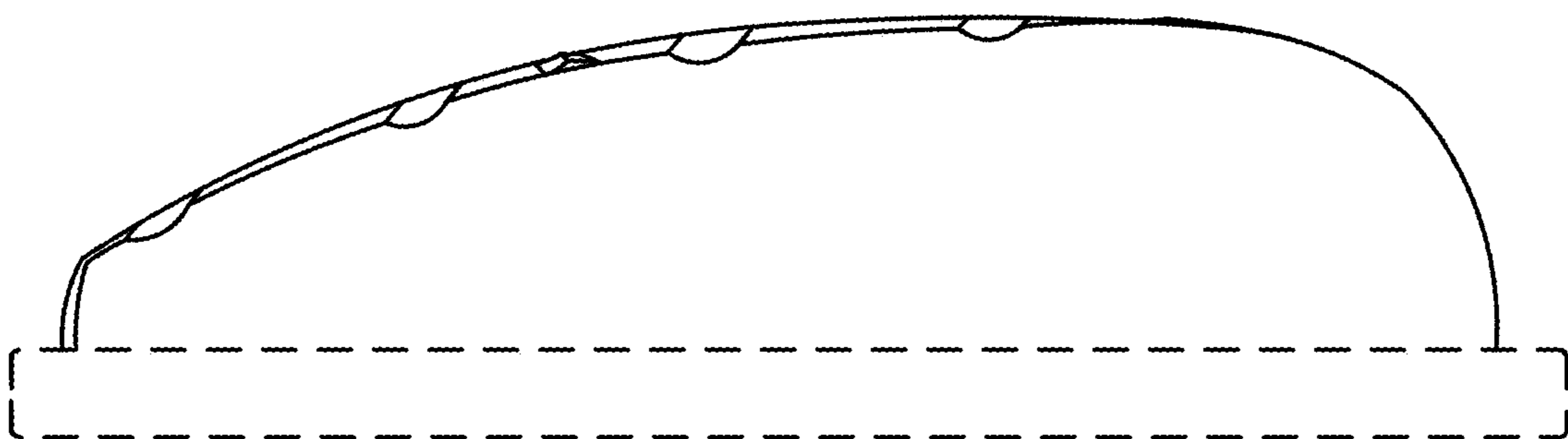


FIG. 16



FIG. 15

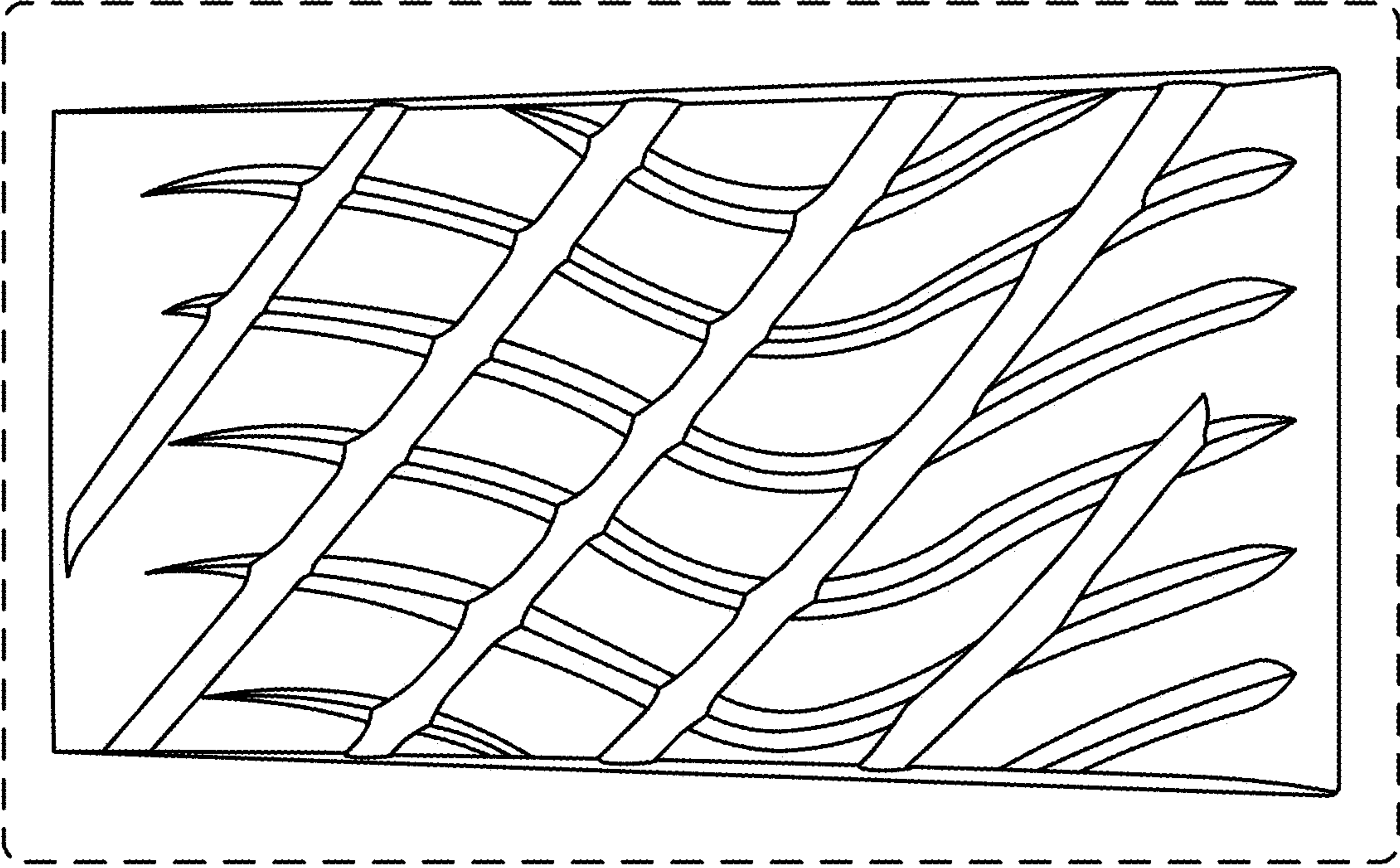


FIG. 17

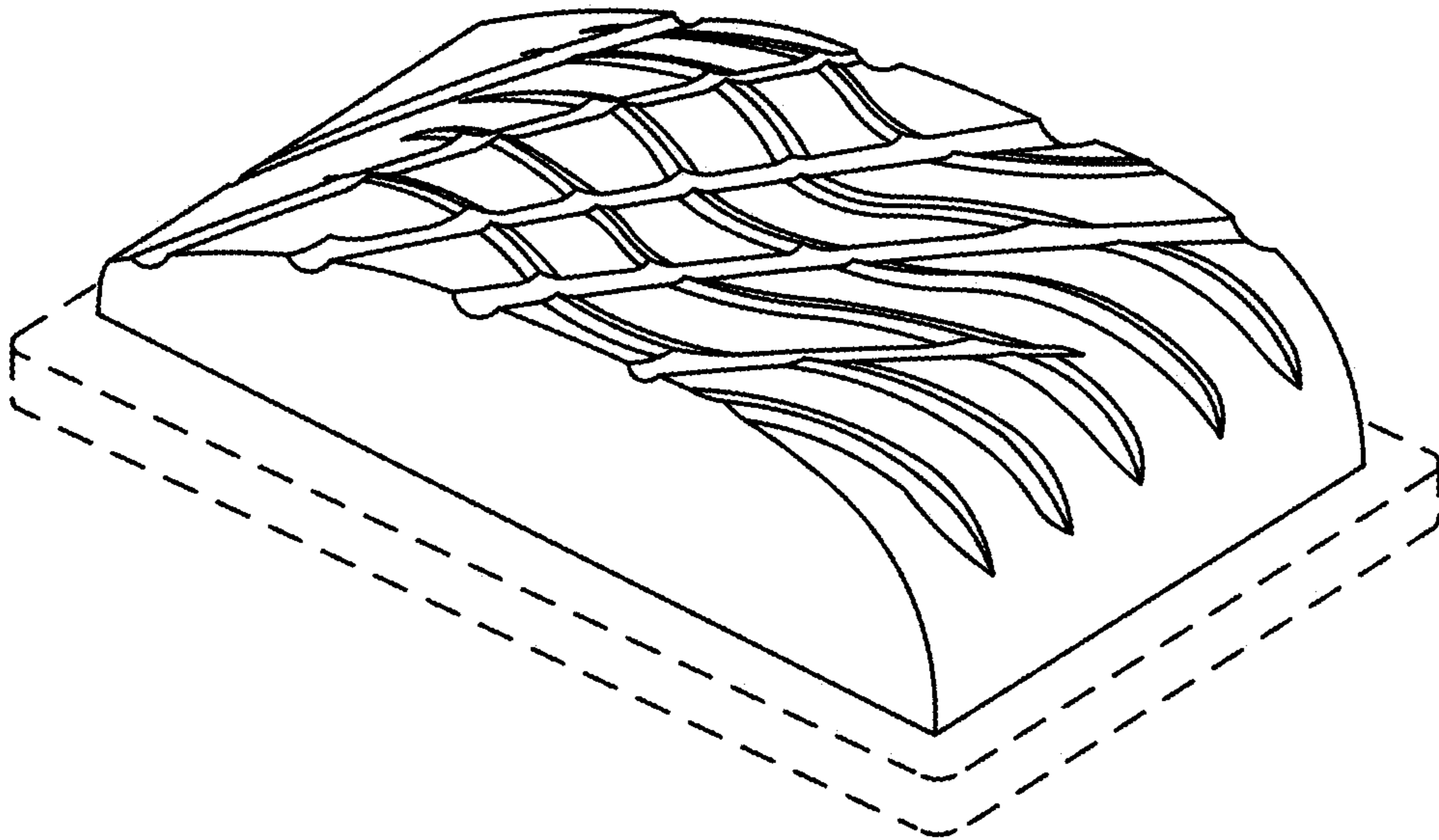


FIG. 18

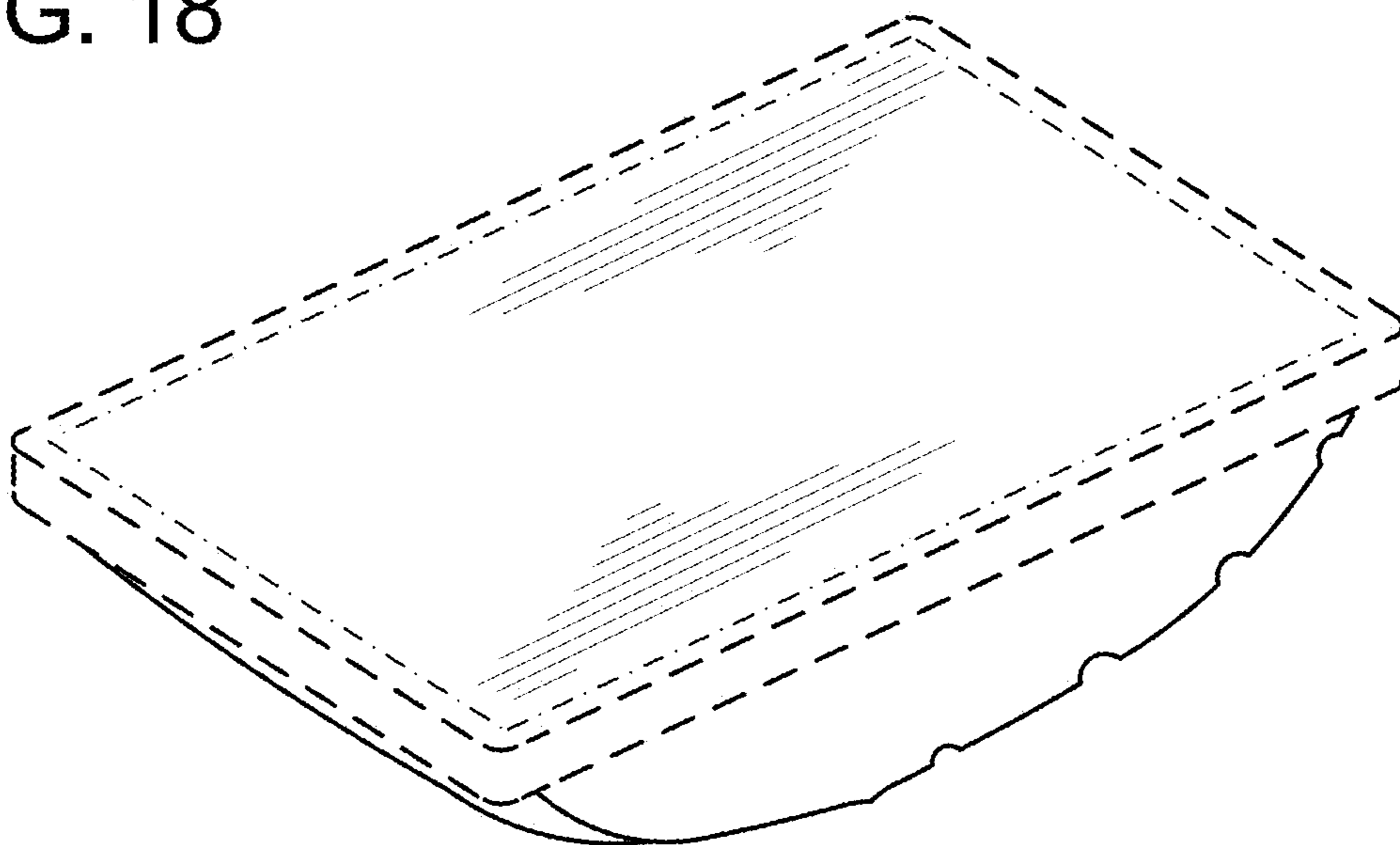


FIG. 19

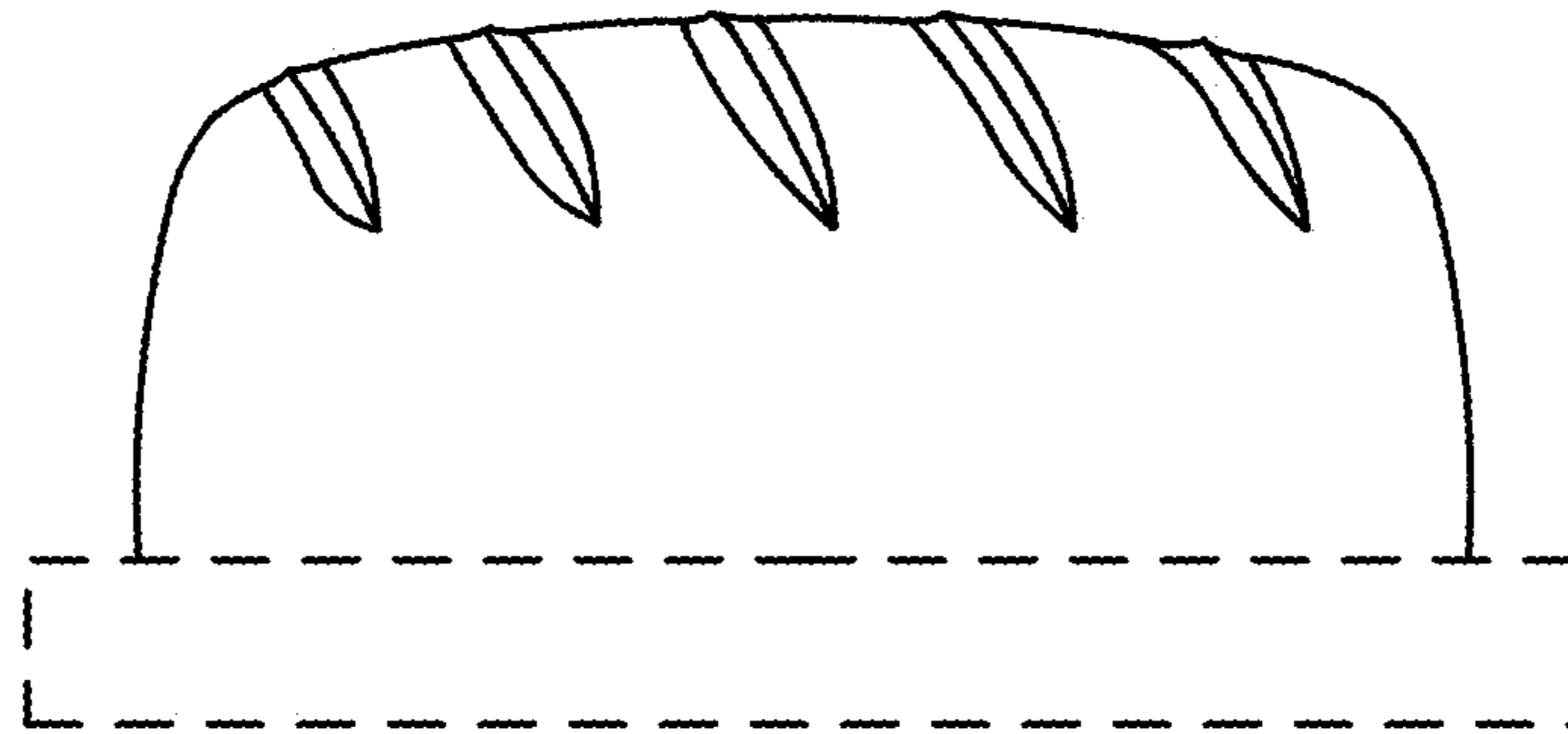


FIG. 20

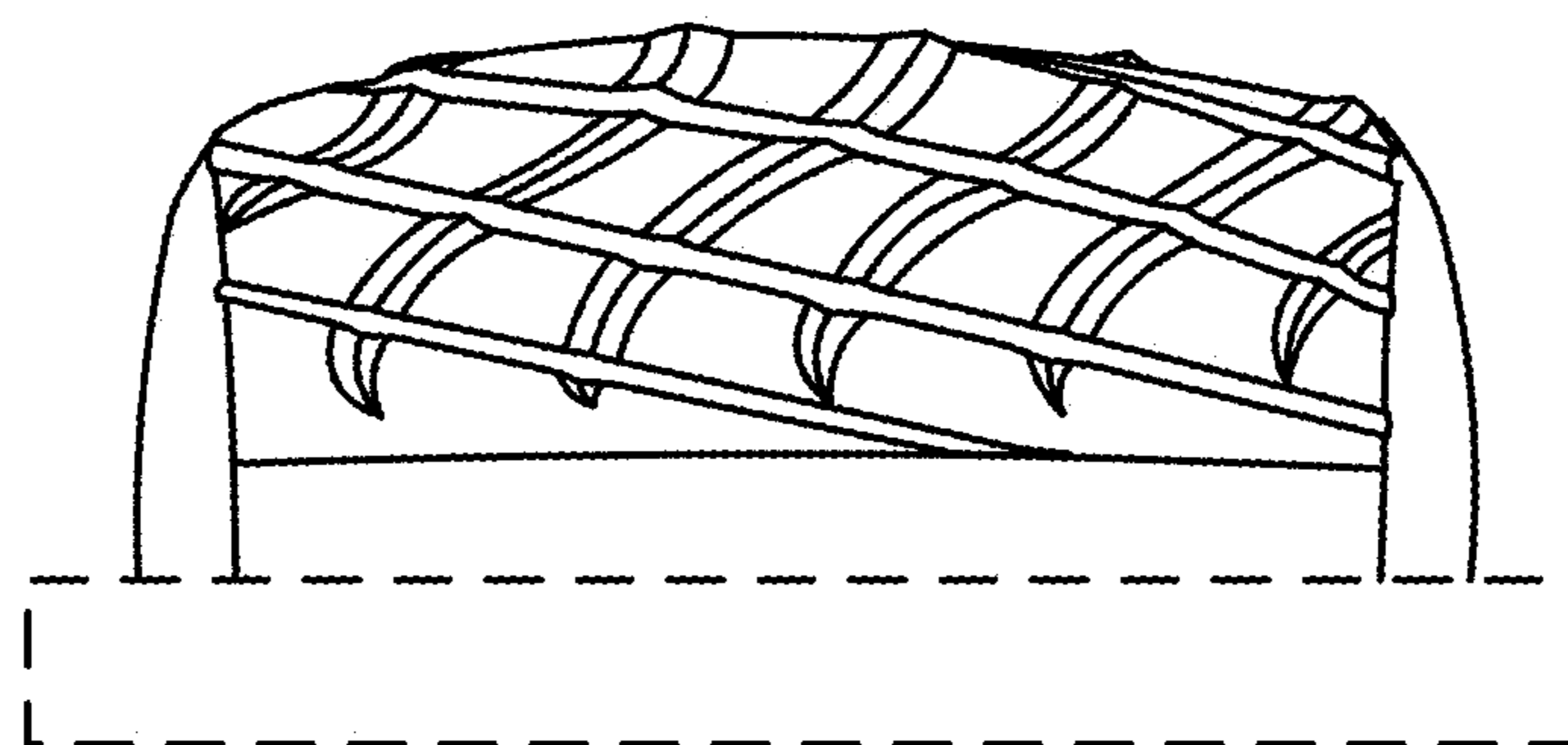


FIG. 21

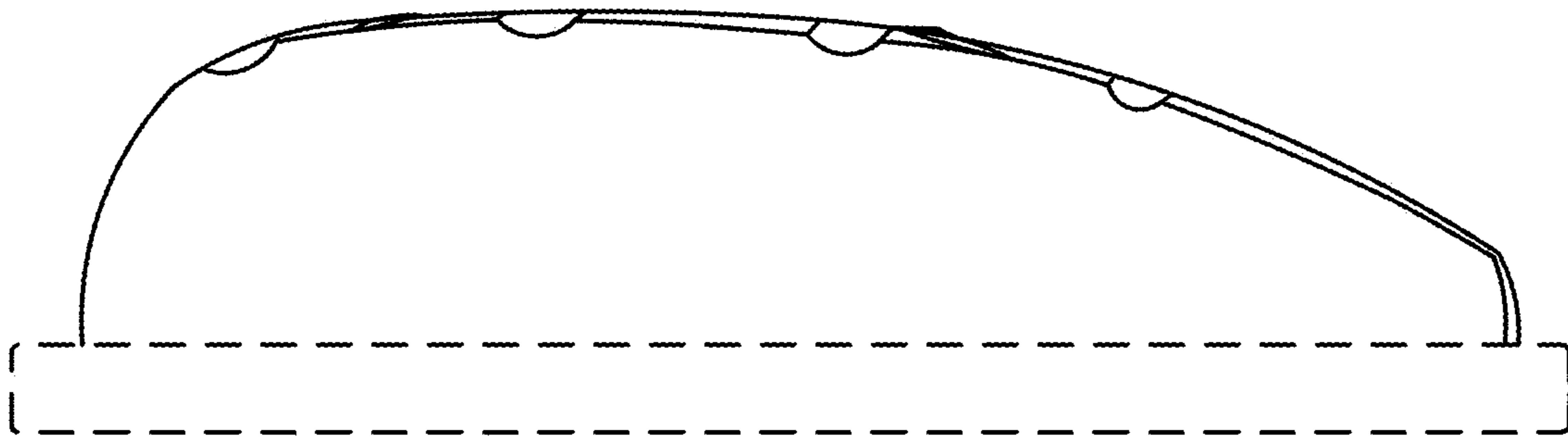


FIG. 22

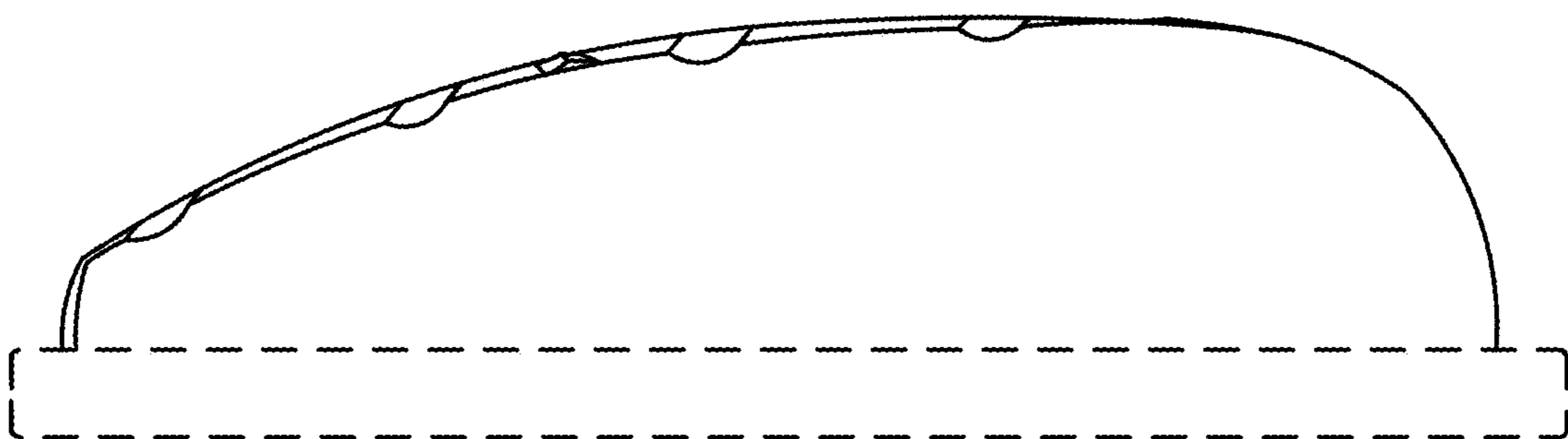


FIG. 24



FIG. 23

