

US00D891024S

(12) **United States Design Patent**  
**Schenone et al.**

(10) **Patent No.:** **US D891,024 S**  
(45) **Date of Patent:** **\*\* Jul. 21, 2020**

- (54) **LOCKING COLLAR**
- (71) Applicant: **EchoNous, Inc.**, Redmond, WA (US)
- (72) Inventors: **David J. Schenone**, Lake Oswego, OR (US); **Kim Porter Henneman**, Bend, OR (US); **Jeffrey D. Allison**, Lake Oswego, OR (US)
- (73) Assignee: **EchoNous, Inc.**, Redmond, WA (US)
- (\*\*) Term: **15 Years**
- (21) Appl. No.: **29/691,182**
- (22) Filed: **May 14, 2019**

- D411,440 S 6/1999 Stahel
- D459,854 S \* 7/2002 Fujikawa ..... D34/35
- D459,855 S \* 7/2002 Fujikawa ..... D34/35
- D462,494 S 9/2002 Patrizi et al.
- D486,729 S \* 2/2004 Ellery ..... D8/396
- D540,158 S \* 4/2007 Smith ..... D8/396
- D560,484 S \* 1/2008 Smith ..... D8/396
- D577,423 S \* 9/2008 Dole ..... D23/265
- D681,440 S 5/2013 Yu
- D692,294 S \* 10/2013 Koeniger ..... D8/396
- D700,835 S 3/2014 Langlois et al.
- D703,033 S 4/2014 Karlsson
- D704,040 S 5/2014 Kosaku
- D704,540 S \* 5/2014 Shibamoto ..... D8/394
- D708,053 S 7/2014 Marini

(Continued)

*Primary Examiner* — Cynthia Ramirez  
*Assistant Examiner* — Michael A Maharajh  
 (74) *Attorney, Agent, or Firm* — Seed Intellectual Property Law Group LLP

**Related U.S. Application Data**

- (62) Division of application No. 29/624,393, filed on Oct. 31, 2017, now Pat. No. Des. 855,920.
- (51) **LOC (12) Cl.** ..... **12-05**
- (52) **U.S. Cl.**  
USPC ..... **D34/35**
- (58) **Field of Classification Search**  
USPC ..... 188/74; D8/394, 396; D24/128;  
D34/12, 14, 17, 27  
CPC ..... F16B 2200/40; F16B 7/1418; F16B 1/00;  
A63B 21/0728  
See application file for complete search history.

(57) **CLAIM**

The ornamental design for a locking collar, as shown and described.

**DESCRIPTION**

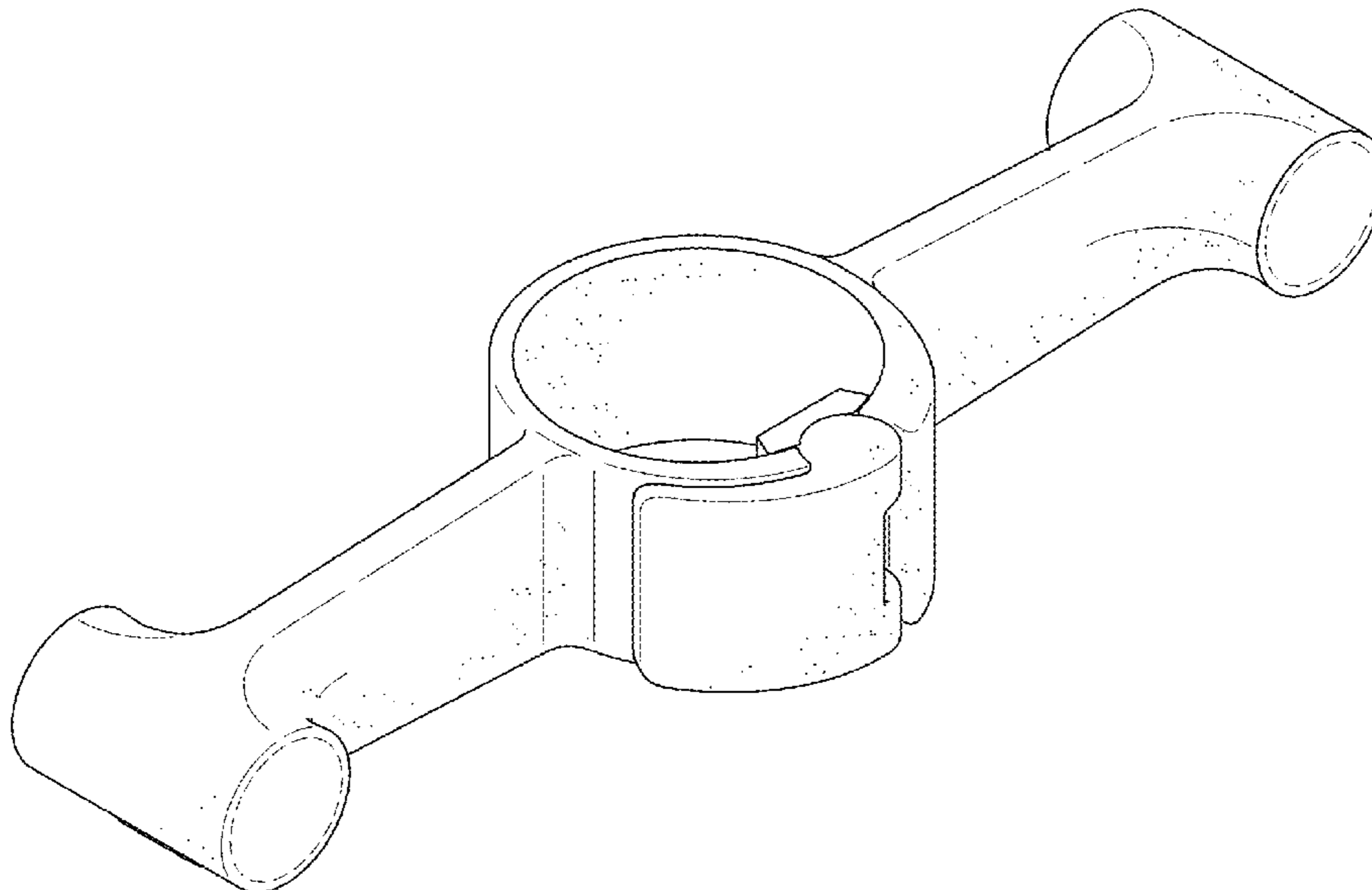
FIG. 1 is a top, front left perspective view of a locking collar showing our new design.  
 FIG. 2 is a bottom, rear right perspective view thereof.  
 FIG. 3 is a left side elevation view thereof.  
 FIG. 4 is a right side elevation view thereof.  
 FIG. 5 is a top plan view thereof.  
 FIG. 6 is a front elevation view thereof.  
 FIG. 7 is a rear elevation view thereof.  
 FIG. 8 is a bottom plan view thereof; and,  
 FIG. 9 is a top plan view of the locking collar of FIG. 1, with the clamping fastener shown in an extended position.  
 The broken lines shown in the figures are for the purpose of illustrating portions of the locking collar that form no part of the claimed design.

(56) **References Cited**

U.S. PATENT DOCUMENTS

- 1,669,934 A 5/1928 Goldwyn
- D160,669 S \* 10/1950 Smith ..... D8/394
- D188,377 S 7/1960 Martin
- 4,123,095 A 10/1978 Stehlin
- D298,802 S \* 12/1988 Tekirian ..... D8/396
- D338,560 S 8/1993 Lundy
- D378,659 S 4/1997 Blennov
- D389,983 S \* 1/1998 Maness ..... D34/35

**1 Claim, 7 Drawing Sheets**



(56)

**References Cited**

## U.S. PATENT DOCUMENTS

D711,730	S	8/2014	McKiernan	
D712,730	S	9/2014	Gridley	
D719,823	S *	12/2014	Frydlewski .....	D8/396
D735,025	S	7/2015	Mathien	
D761,101	S *	7/2016	Seo .....	D8/396
D766,711	S *	9/2016	Babbage .....	D8/394
D780,860	S	3/2017	Jones	
D780,861	S	3/2017	Jones	
D781,710	S *	3/2017	Kudrowitz .....	D8/356
D798,699	S	10/2017	Roiser	
D805,888	S *	12/2017	De Los Santos .....	D8/396
D819,435	S *	6/2018	Bancroft .....	D8/396
D820,074	S	6/2018	Huettemann et al.	
D820,076	S	6/2018	Ramirez et al.	
D828,748	S	9/2018	Bancroft et al.	
D832,694	S	11/2018	May et al.	
D834,932	S	12/2018	Babbage	
D836,184	S	12/2018	Lippka	
D836,185	S	12/2018	Lippka	
D836,428	S	12/2018	Pittman	
D848,583	S *	5/2019	Nagai .....	D23/259
D850,899	S *	6/2019	Gridley .....	D8/396
D850,900	S *	6/2019	Yesavage .....	D8/396
D852,447	S *	6/2019	Schenone .....	D34/12
D855,920	S *	8/2019	Schenone .....	D34/12
D856,123	S *	8/2019	Bancroft .....	D8/395
D856,125	S *	8/2019	Milner .....	D8/396
D860,773	S *	9/2019	Hawthorne .....	D8/396
D861,473	S *	10/2019	Yesavage .....	D8/396
2005/0273984	A1 *	12/2005	Anderson .....	B62H 5/00 24/279
2010/0254756	A1	10/2010	Chiang	
2011/0251489	A1	10/2011	Zhang et al.	

\* cited by examiner

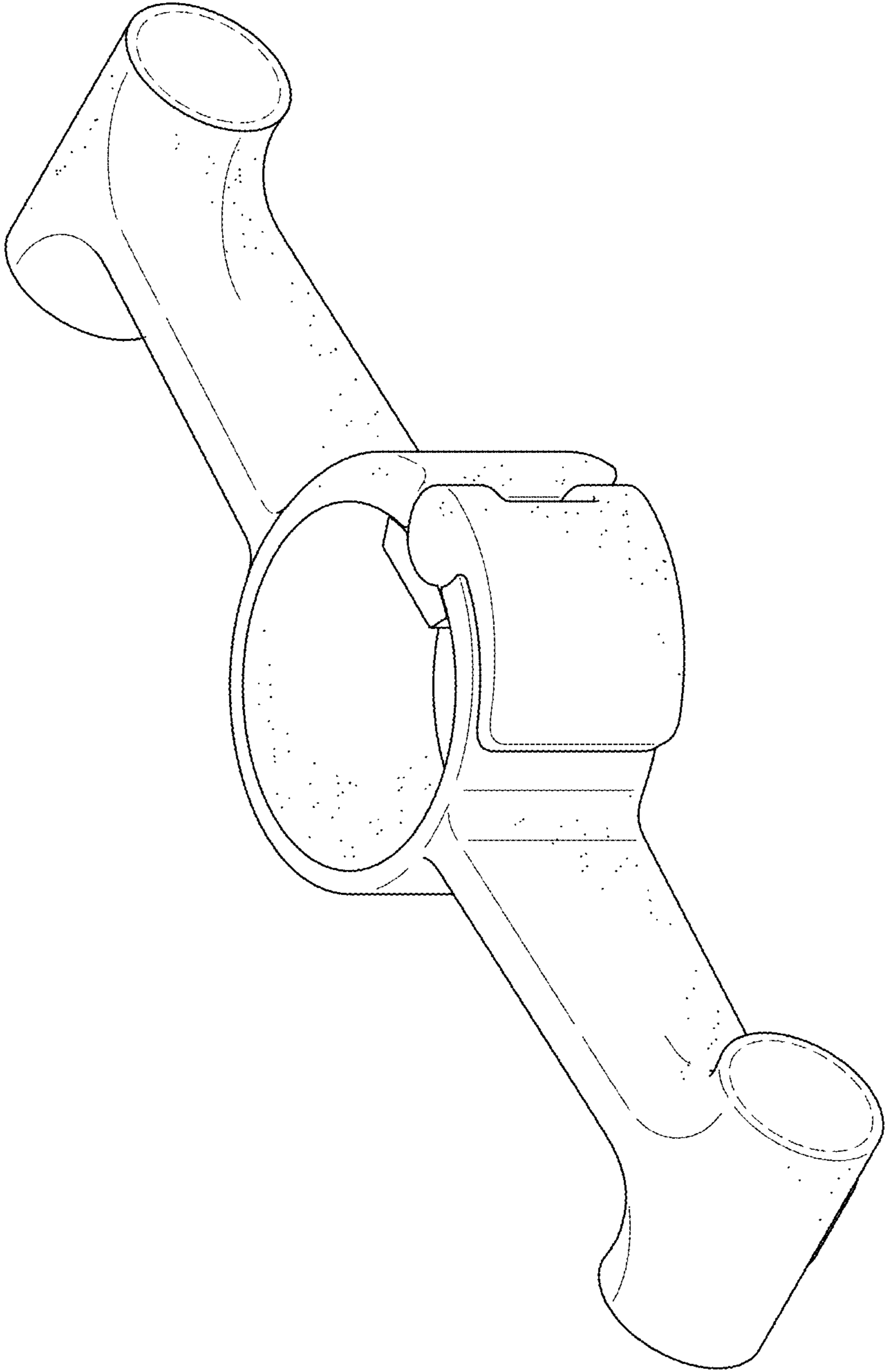


FIG. 1

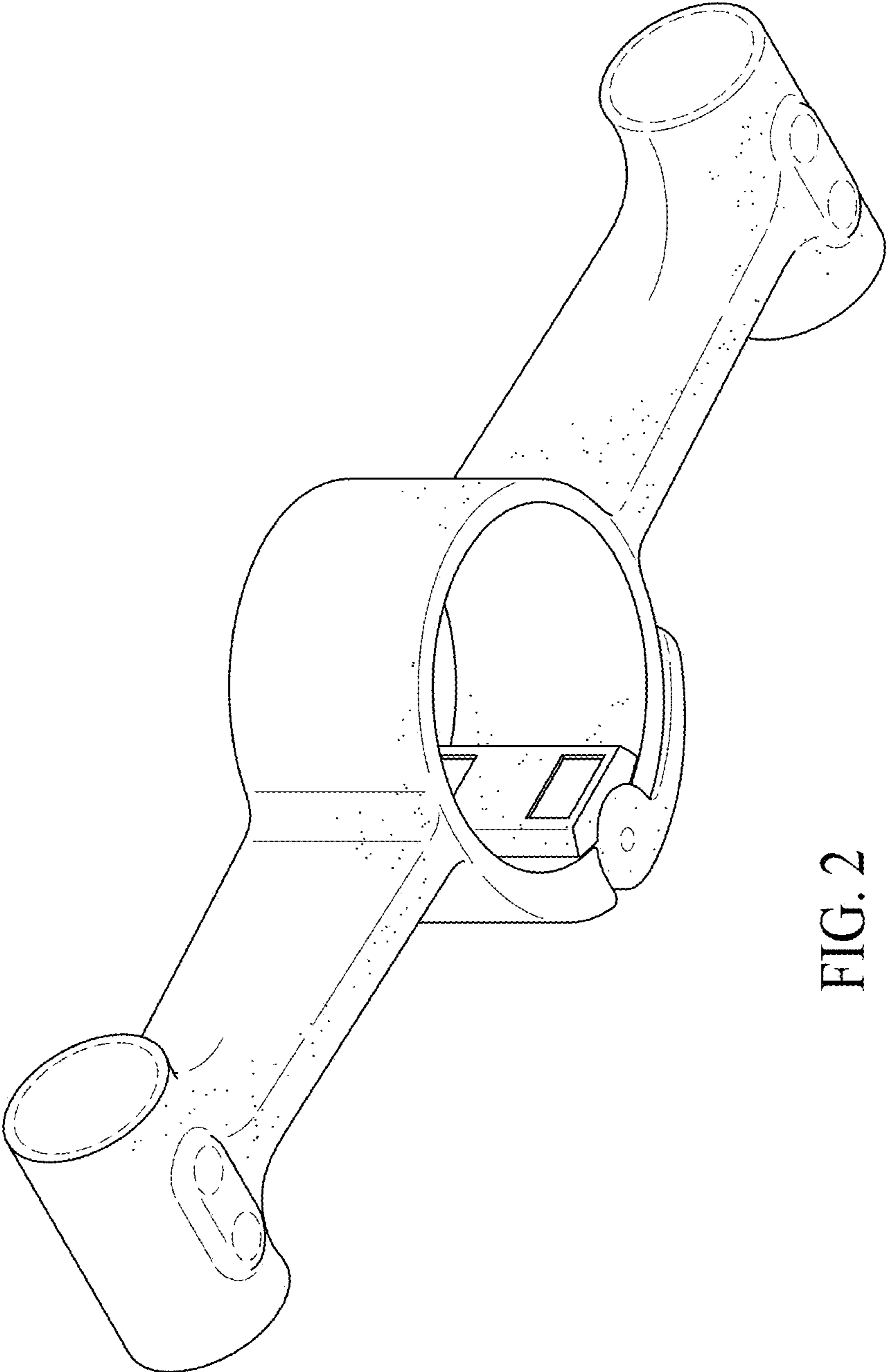


FIG. 2

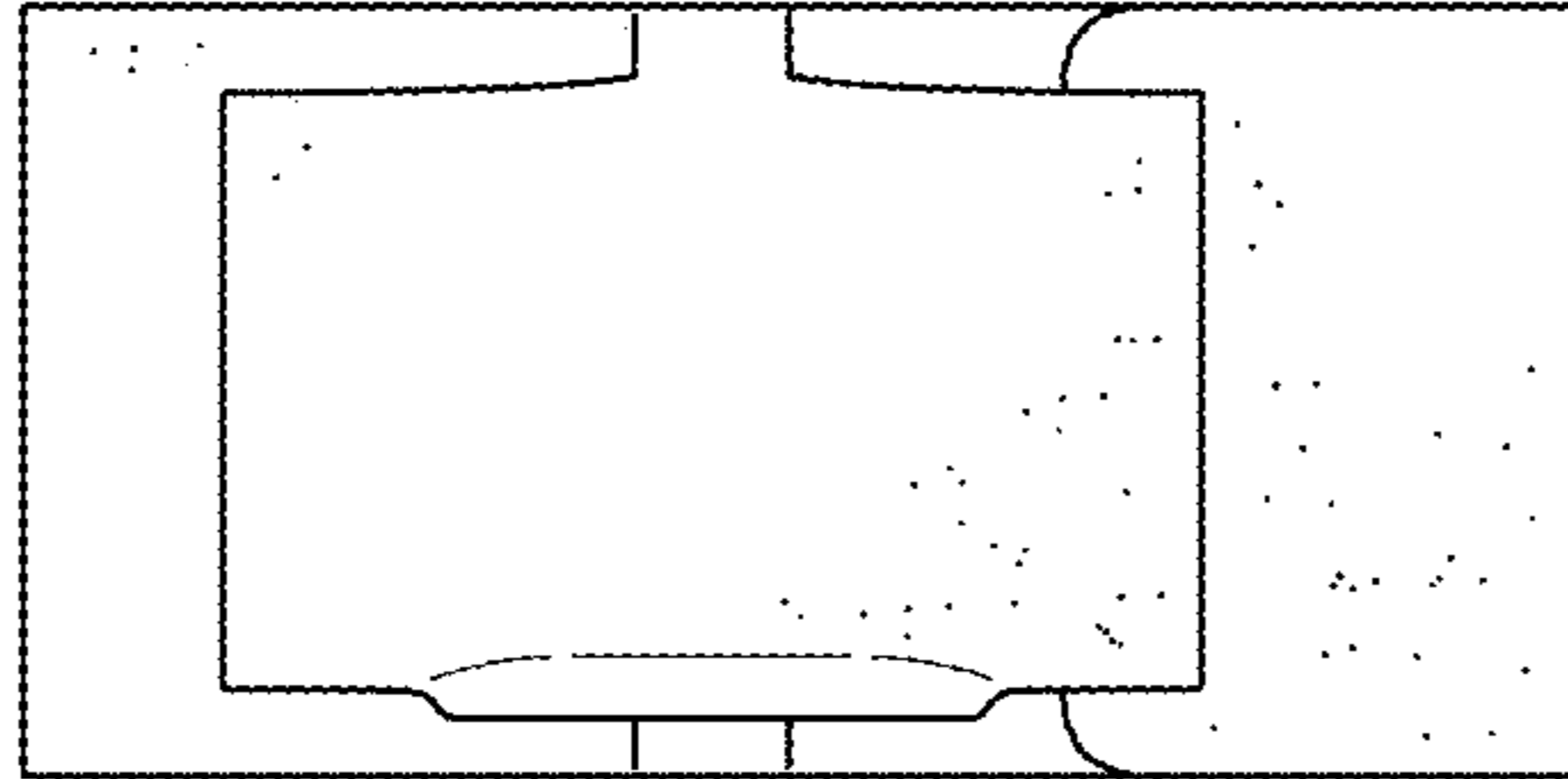


FIG. 3

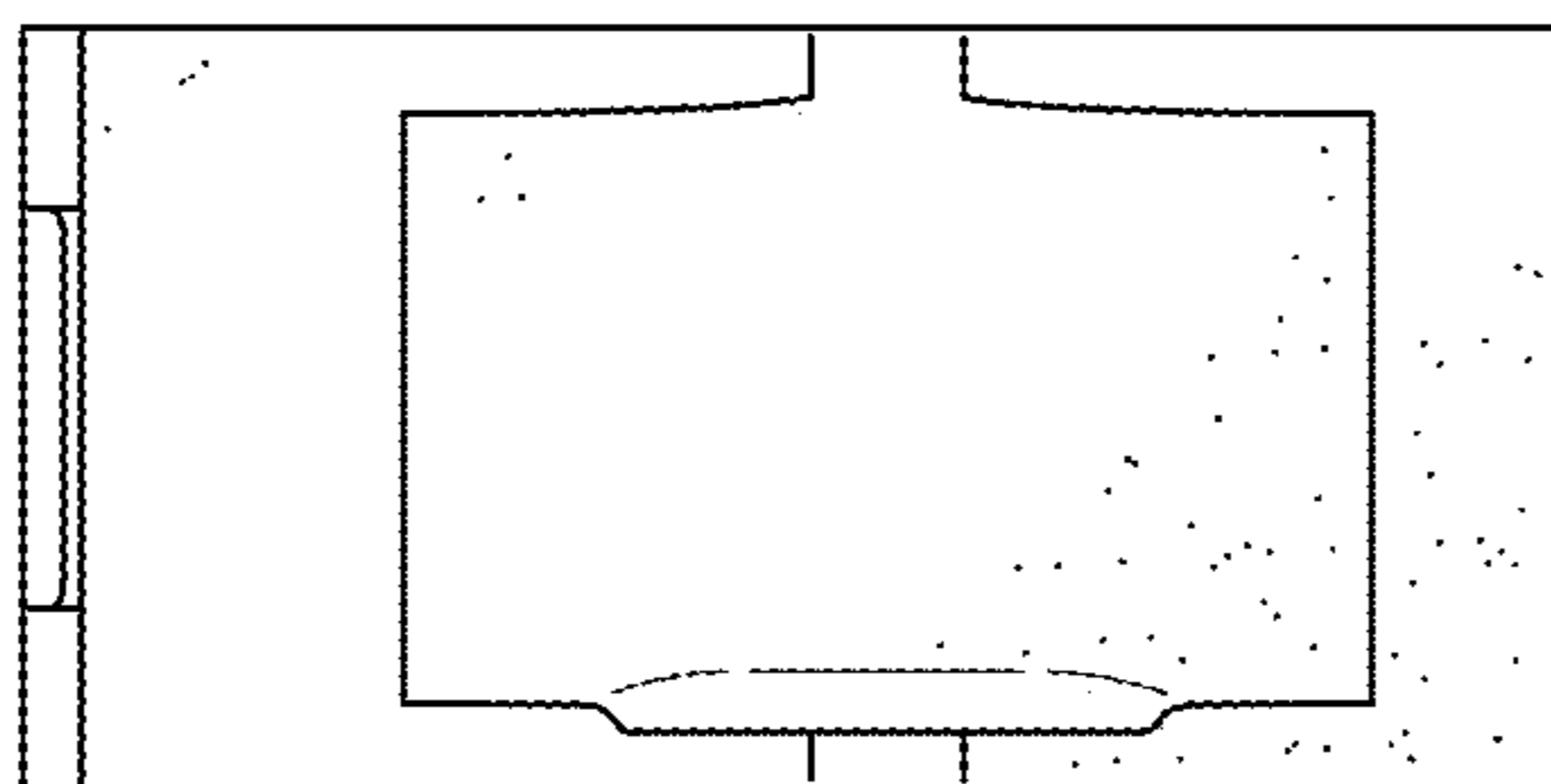


FIG. 4

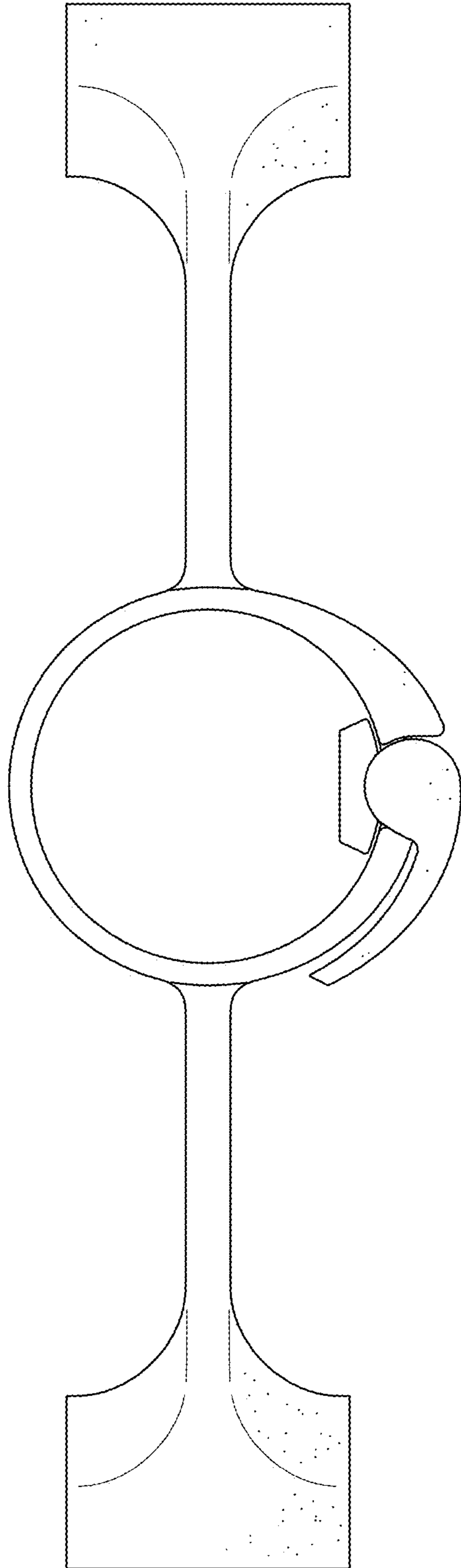


FIG. 5

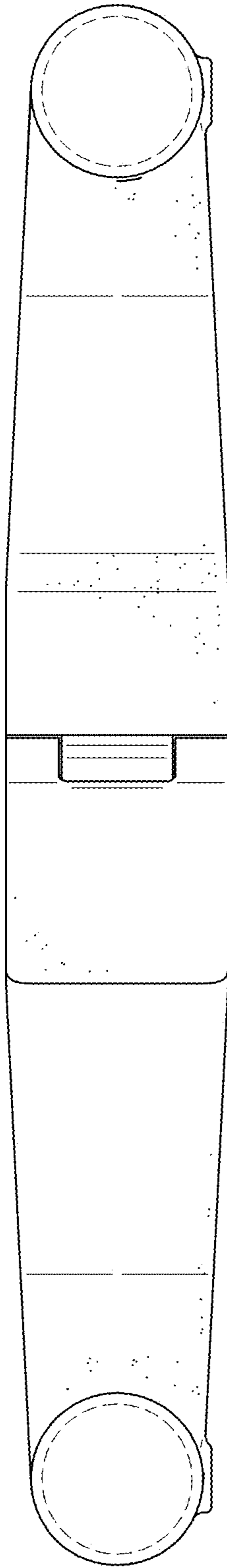


FIG. 6

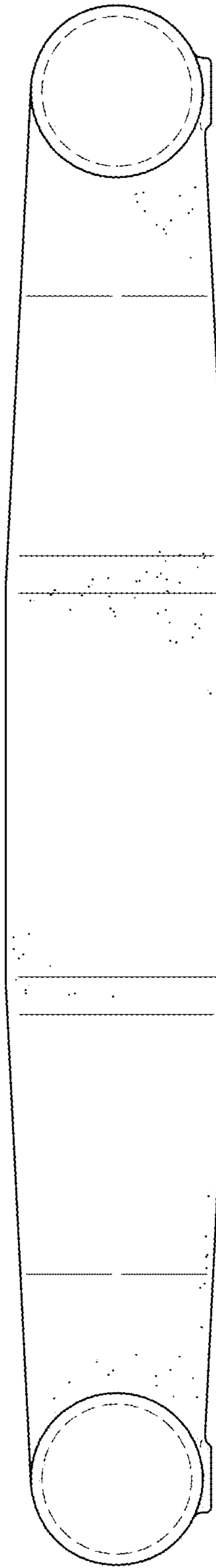


FIG. 7

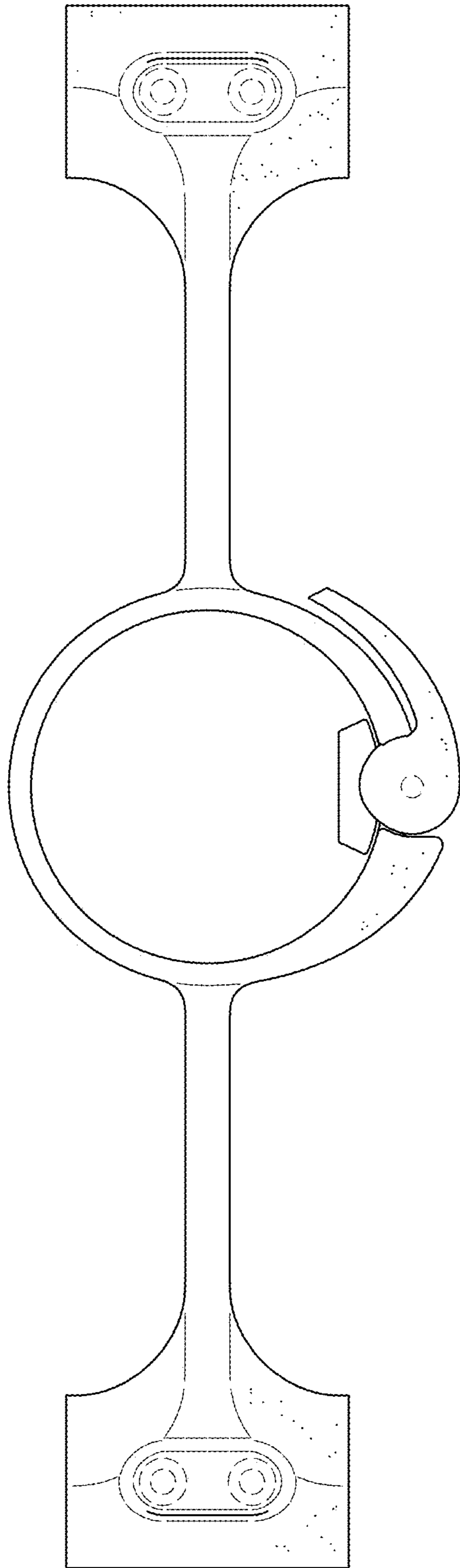


FIG. 8



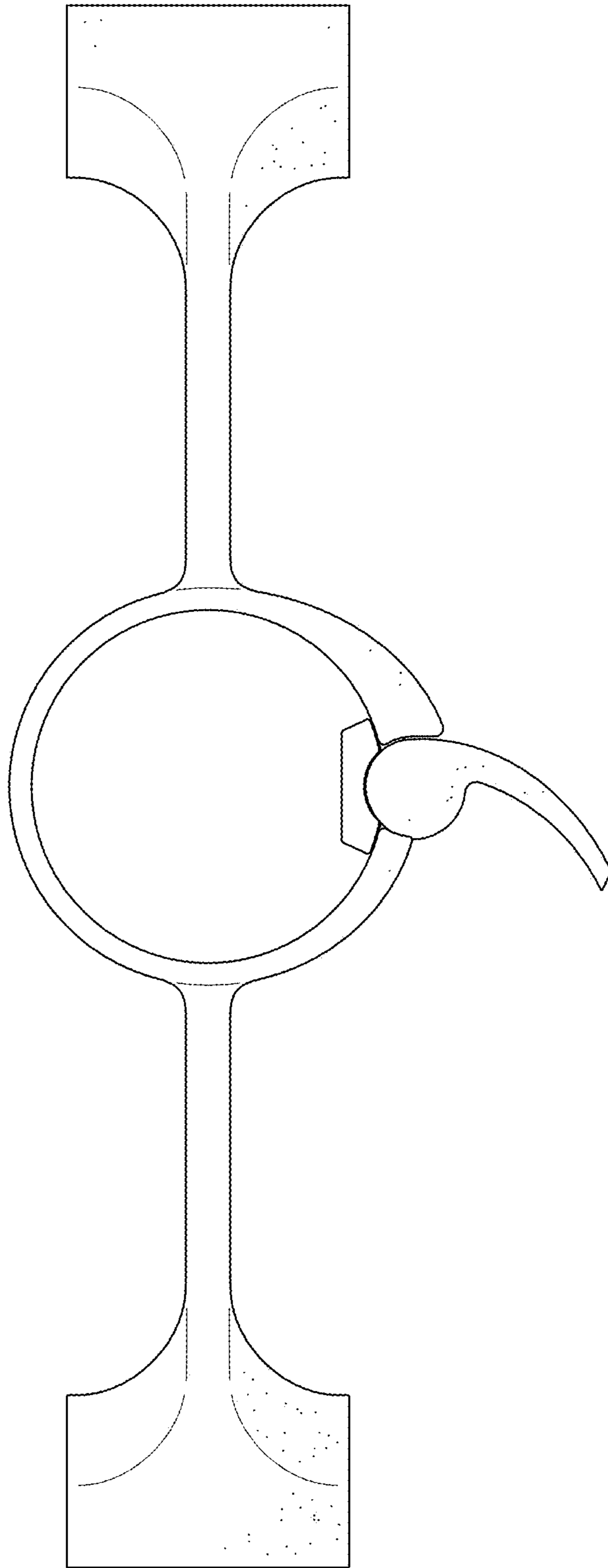


FIG. 9