



US00D891022S

(12) **United States Design Patent**
Liping et al.

(10) **Patent No.:** **US D891,022 S**
(45) **Date of Patent:** **** Jul. 21, 2020**

(54) **POWERED STACKER VEHICLE**

(71) Applicant: **Big Lift, LLC**, Lombard, IL (US)

(72) Inventors: **Leng Liping**, Hangzhou (CN); **Ma Qichen**, Hangzhou (CN); **Li Li**, Hangzhou (CN); **Liu Shunli**, Hangzhou (CN); **Fang Xingfeng**, Hangzhou (CN); **Li Changjiang**, Hangzhou (CN)

(73) Assignee: **Zhejiang E-P Equipment Co., Ltd.** (CN)

(**) Term: **15 Years**

(21) Appl. No.: **29/657,744**

(22) Filed: **Jul. 25, 2018**

(51) **LOC (12) Cl.** **12-05**

(52) **U.S. Cl.**
USPC **D34/34; D34/35**

(58) **Field of Classification Search**
USPC D34/28, 34
CPC ... B62B 3/0612; B62B 3/0618; B62B 5/0069;
B62B 5/0438; B66F 9/22; B66F 9/085;
B66F 9/186

See application file for complete search history.

(56) **References Cited**

U.S. PATENT DOCUMENTS

3,844,382	A	10/1974	Mecklenburg	
5,586,620	A	12/1996	Dammeyer et al.	
6,125,971	A	10/2000	Niebuhr et al.	
8,246,008	B2	8/2012	De Jong et al.	
D674,982	S *	1/2013	Babel	D34/35
8,714,311	B2	5/2014	Billger et al.	
D819,923	S *	6/2018	Qichen	D34/34
D872,965	S *	1/2020	Yuanwei	D34/34

D874,083	S *	1/2020	Chao	D34/34
2006/0181039	A1 *	8/2006	Fridlington et al.	B62B 3/0618 280/43.12
2019/0322508	A1 *	10/2019	Lili	H01M 10/052

OTHER PUBLICATIONS

www.bluegiant.com, "Power Drive Straddle Trucks", Blue Giant, pp. 1-2, Dated Sep. 1, 2010.

* cited by examiner

Primary Examiner — Cynthia Ramirez

(74) *Attorney, Agent, or Firm* — Cook Alex Ltd.

(57) **CLAIM**

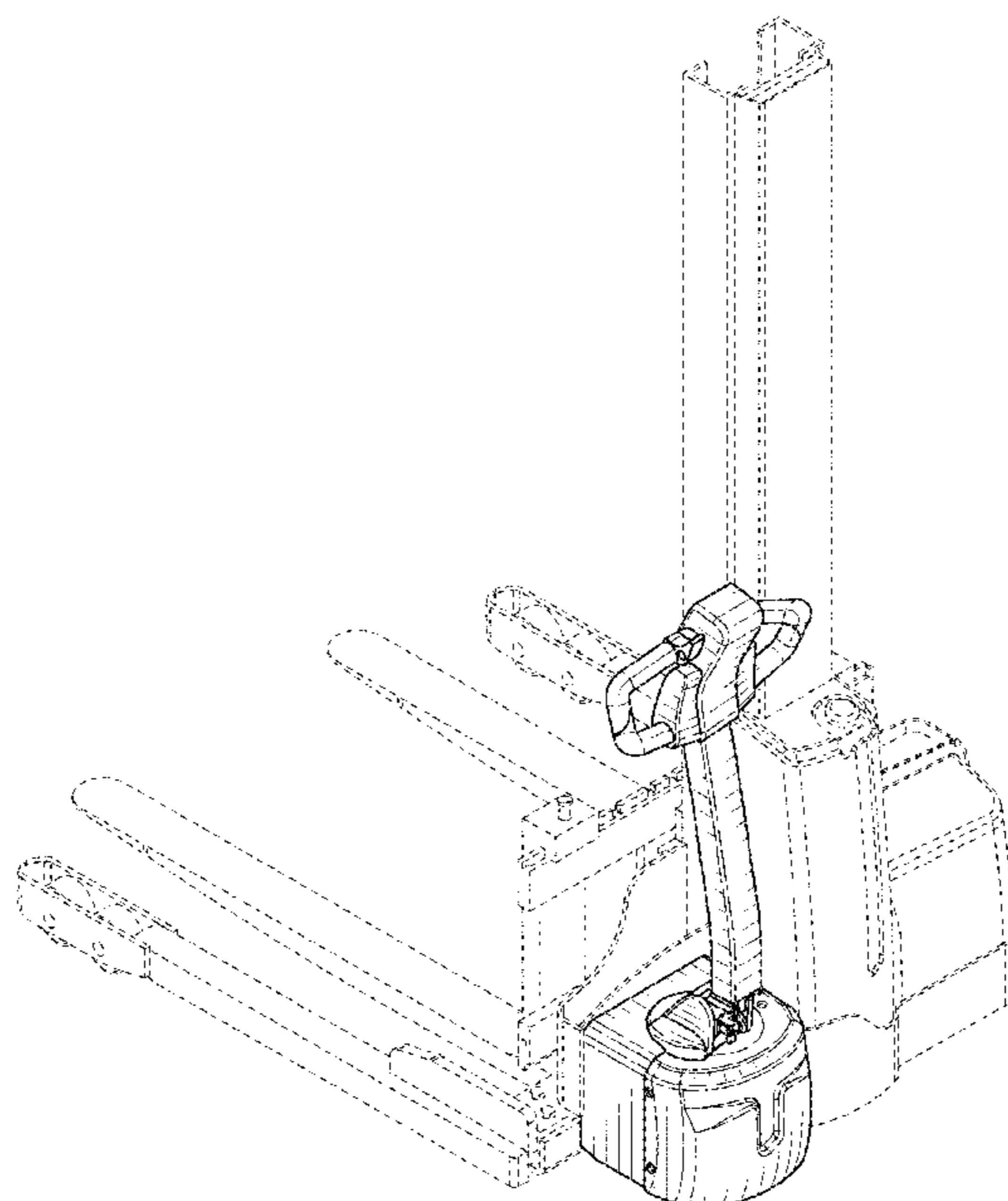
We claim the ornamental design for a powered stacker vehicle, as shown and described.

DESCRIPTION

FIG. 1 is a right upper rear perspective view of a powered stacker vehicle according to our new design; FIG. 2 is a left upper rear perspective view thereof; FIG. 3 is a right lower rear perspective view thereof; FIG. 4 is a right front perspective view thereof; FIG. 5 is a left upper front perspective view thereof; FIG. 6 is a left lower front perspective view thereof; FIG. 7 is a front elevational view thereof; FIG. 8 is a rear elevational view thereof; FIG. 9 is a right side elevational view thereof; FIG. 10 is a left side elevational view thereof; FIG. 11 is a top plan view thereof; and, FIG. 12 is a bottom plan view thereof.

The broken lines shown in the figures are for the purpose of illustrating portions of the powered stacker vehicle and form no part of the claimed design.

1 Claim, 12 Drawing Sheets



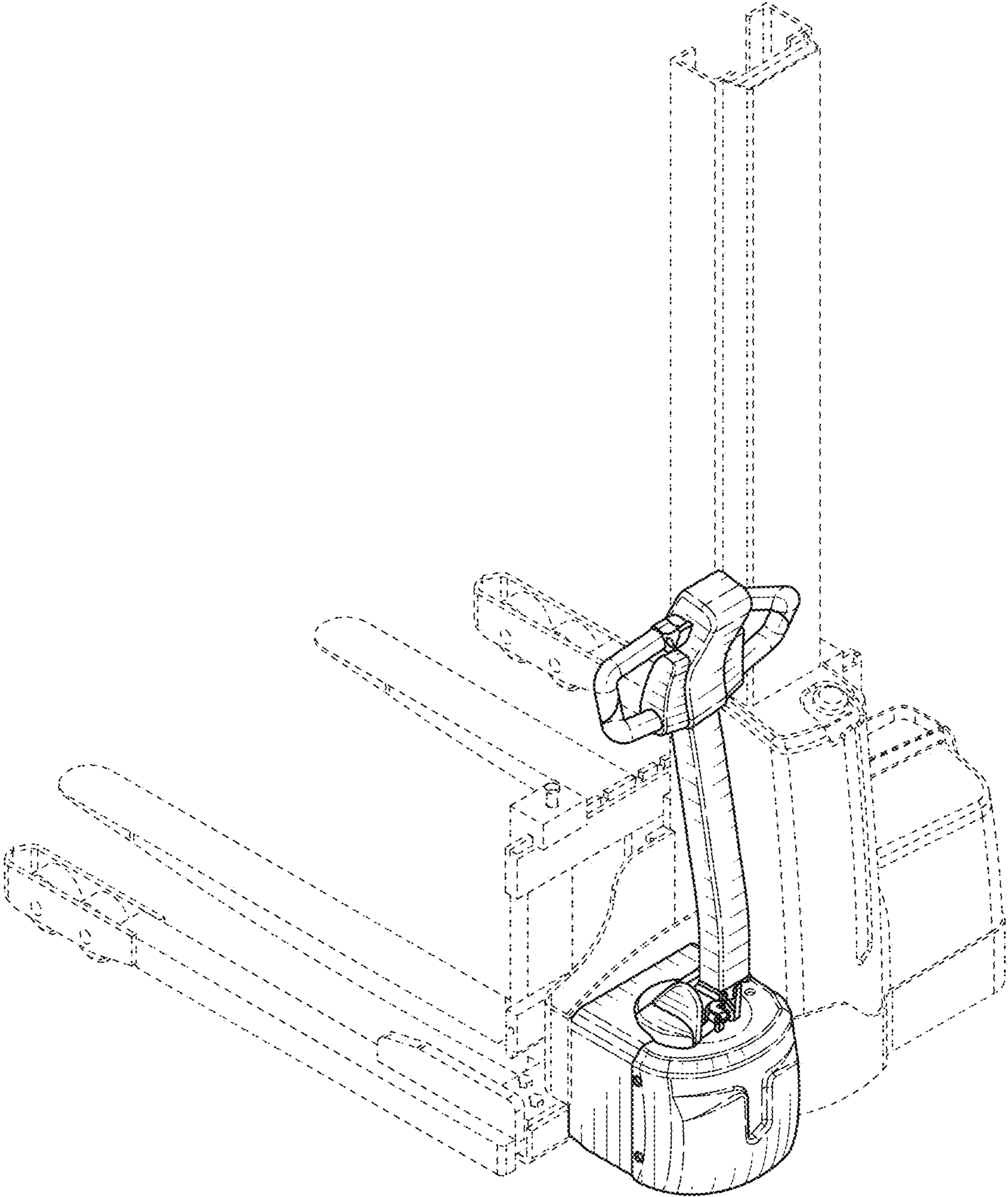


FIG. 1

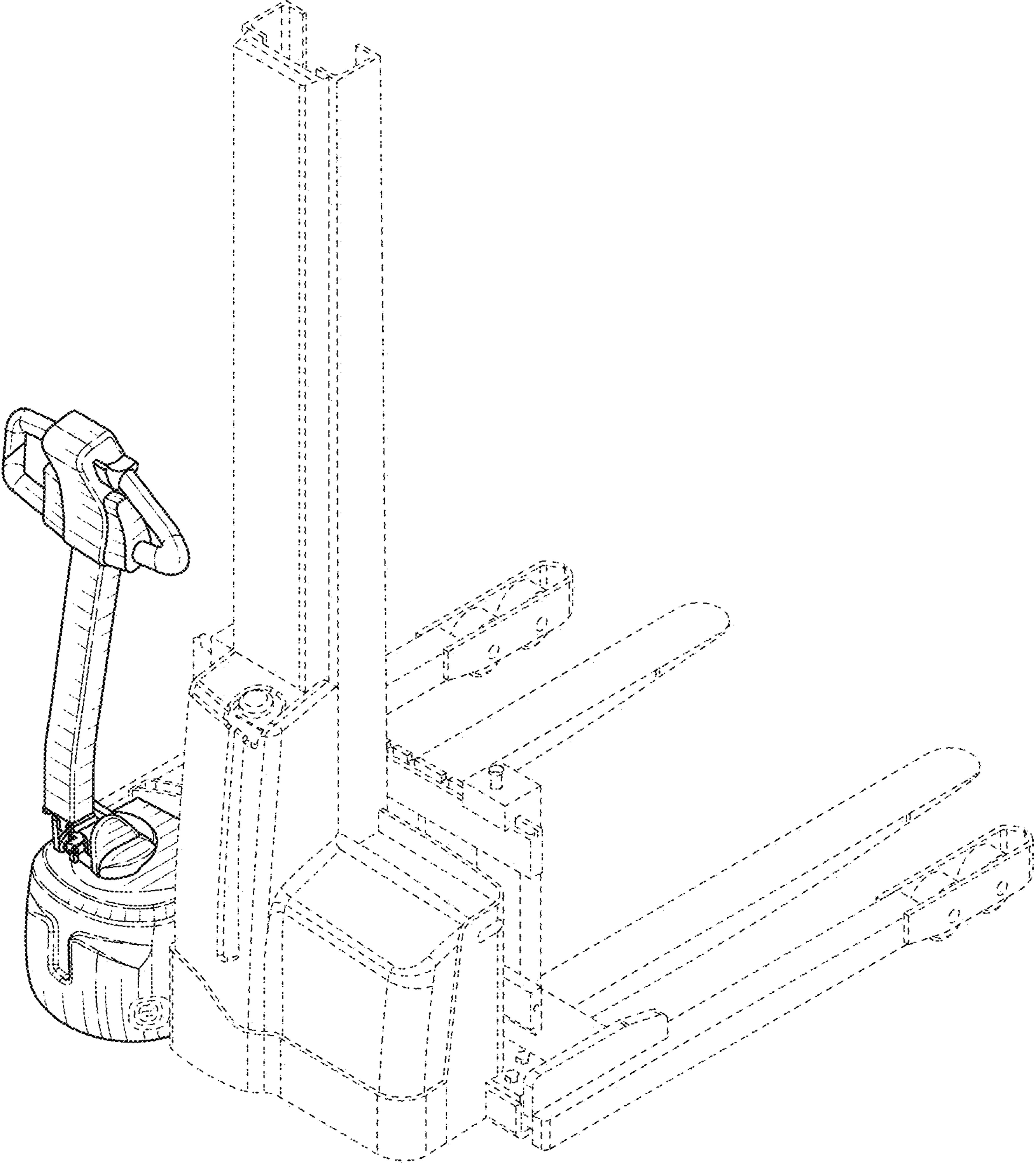


FIG. 2

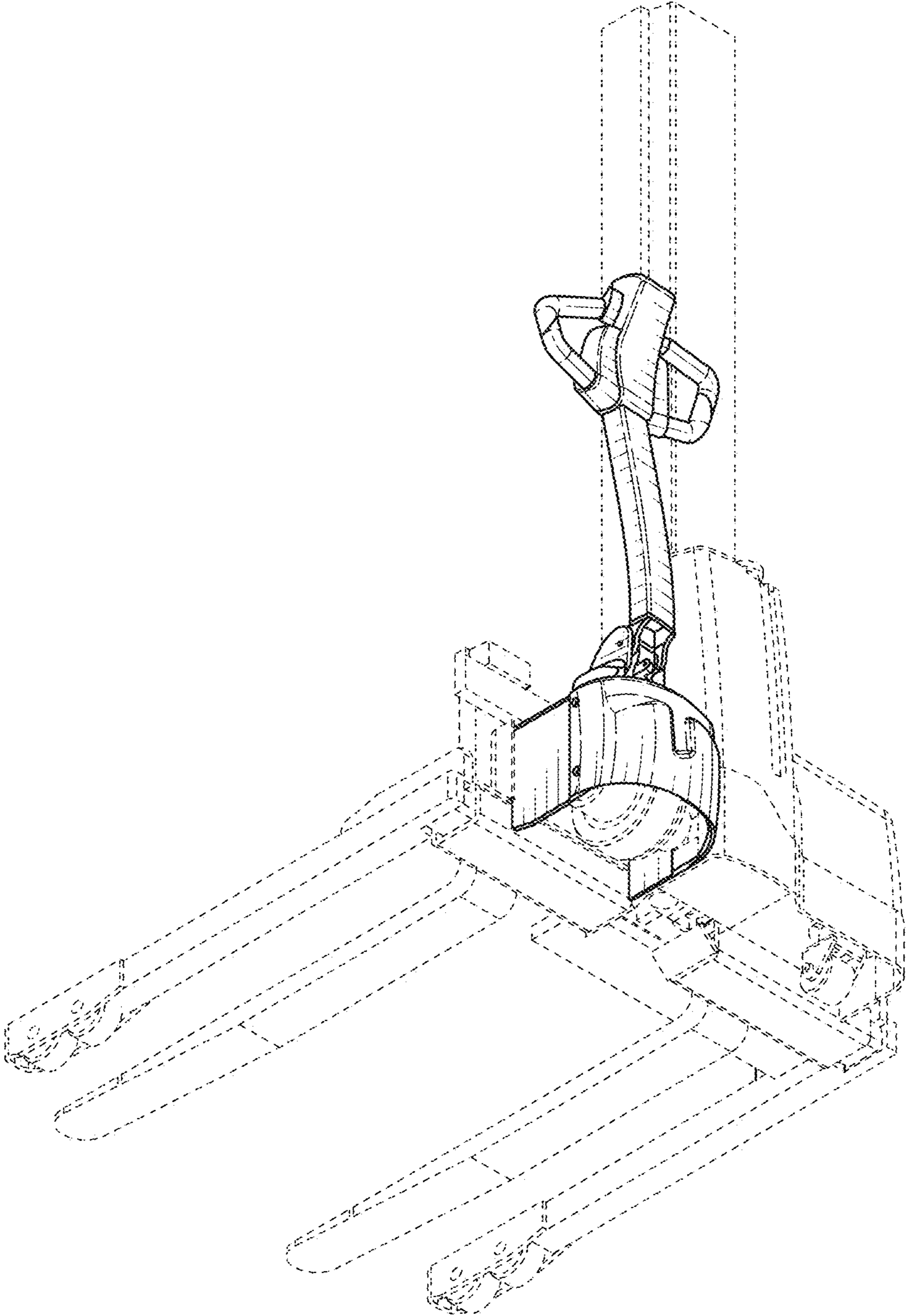


FIG. 3

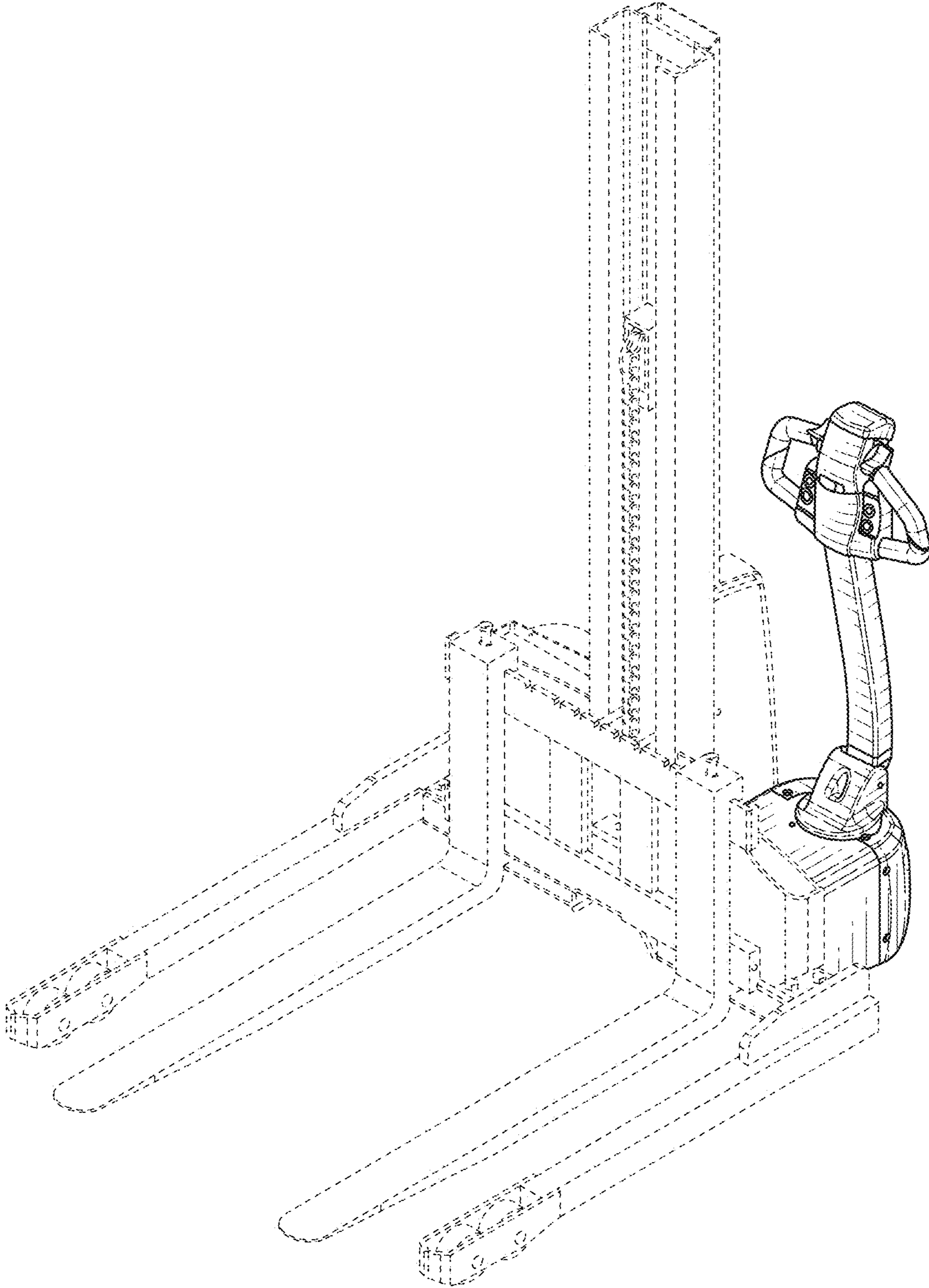


FIG. 4

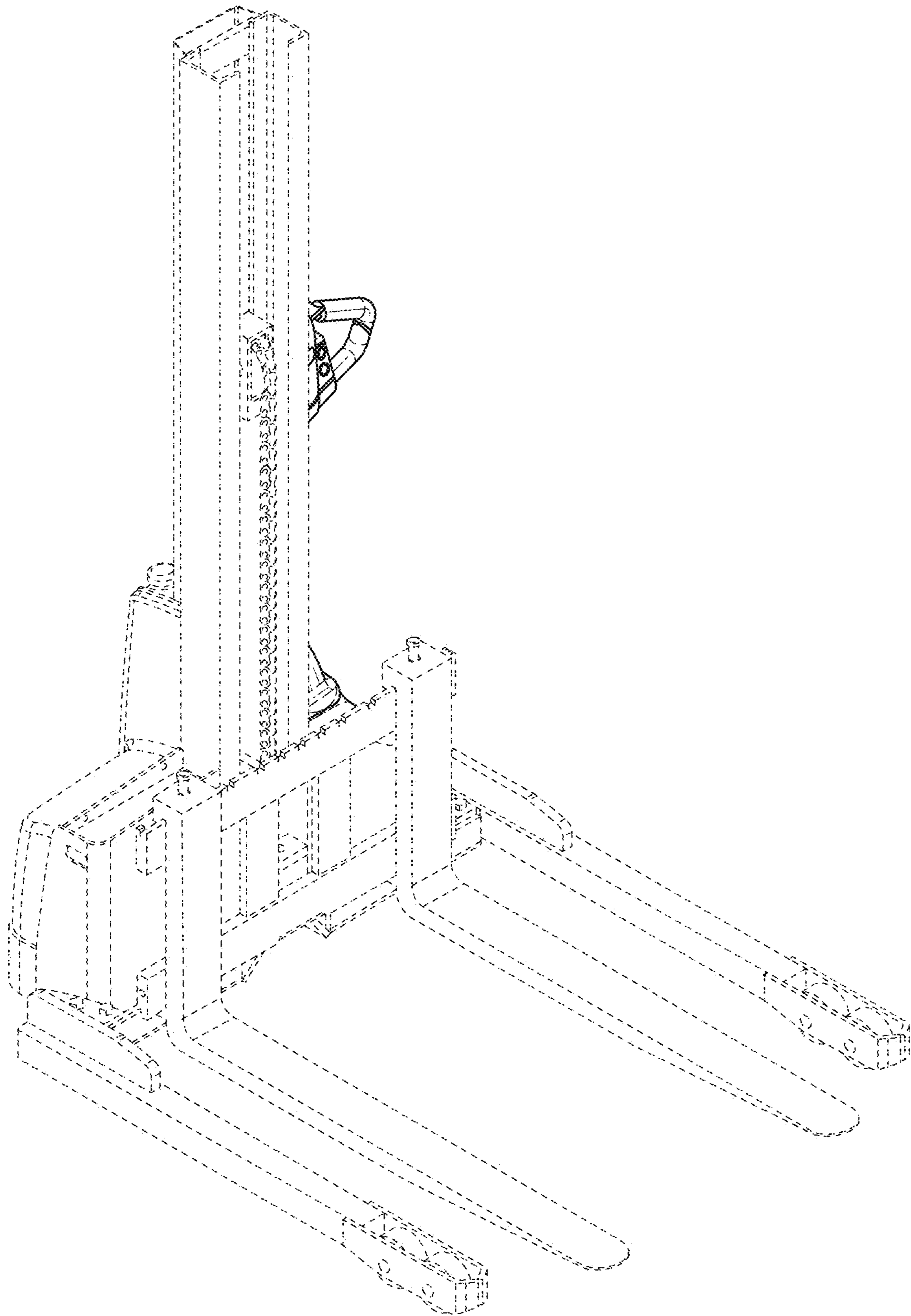


FIG. 5

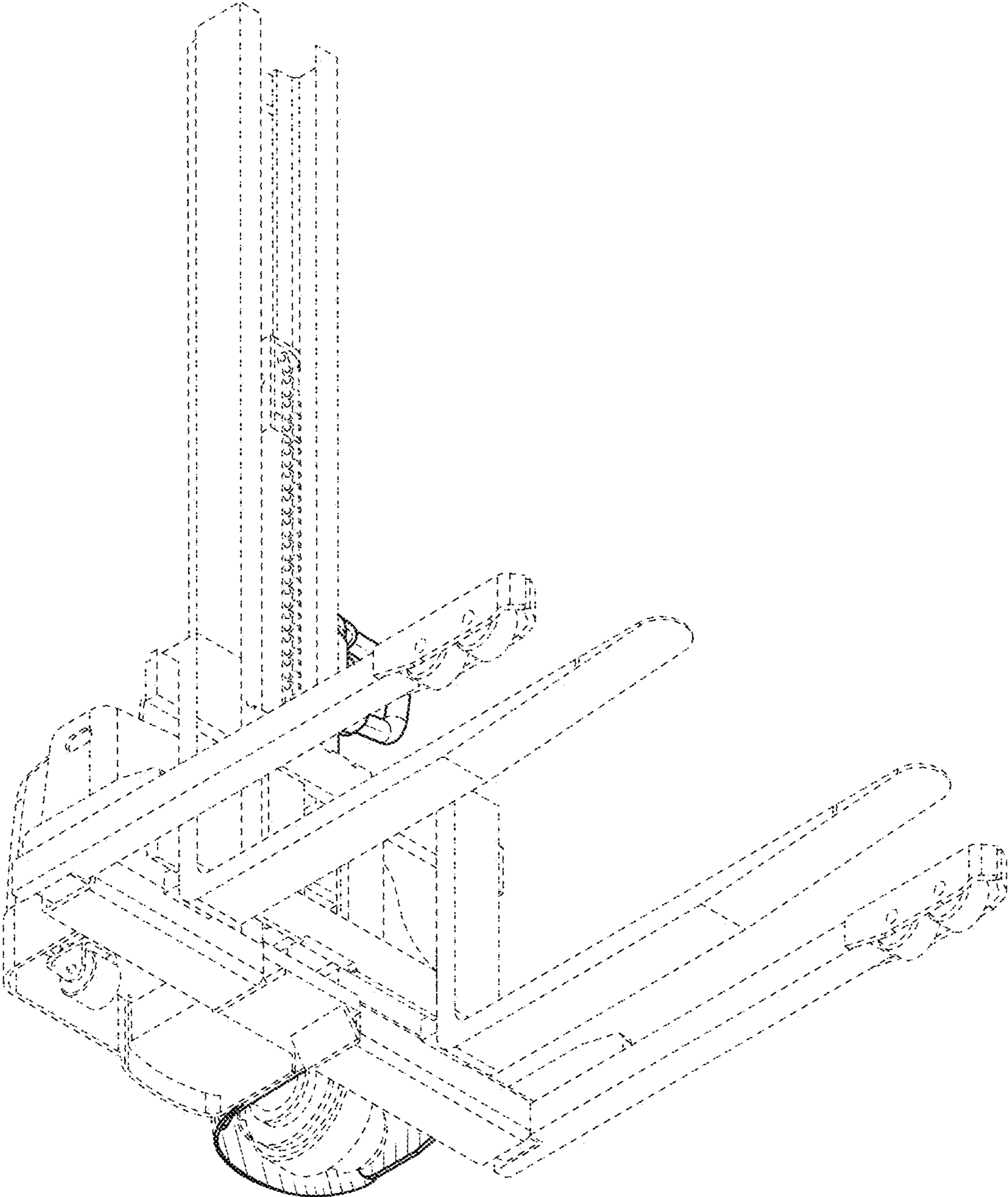


FIG. 6

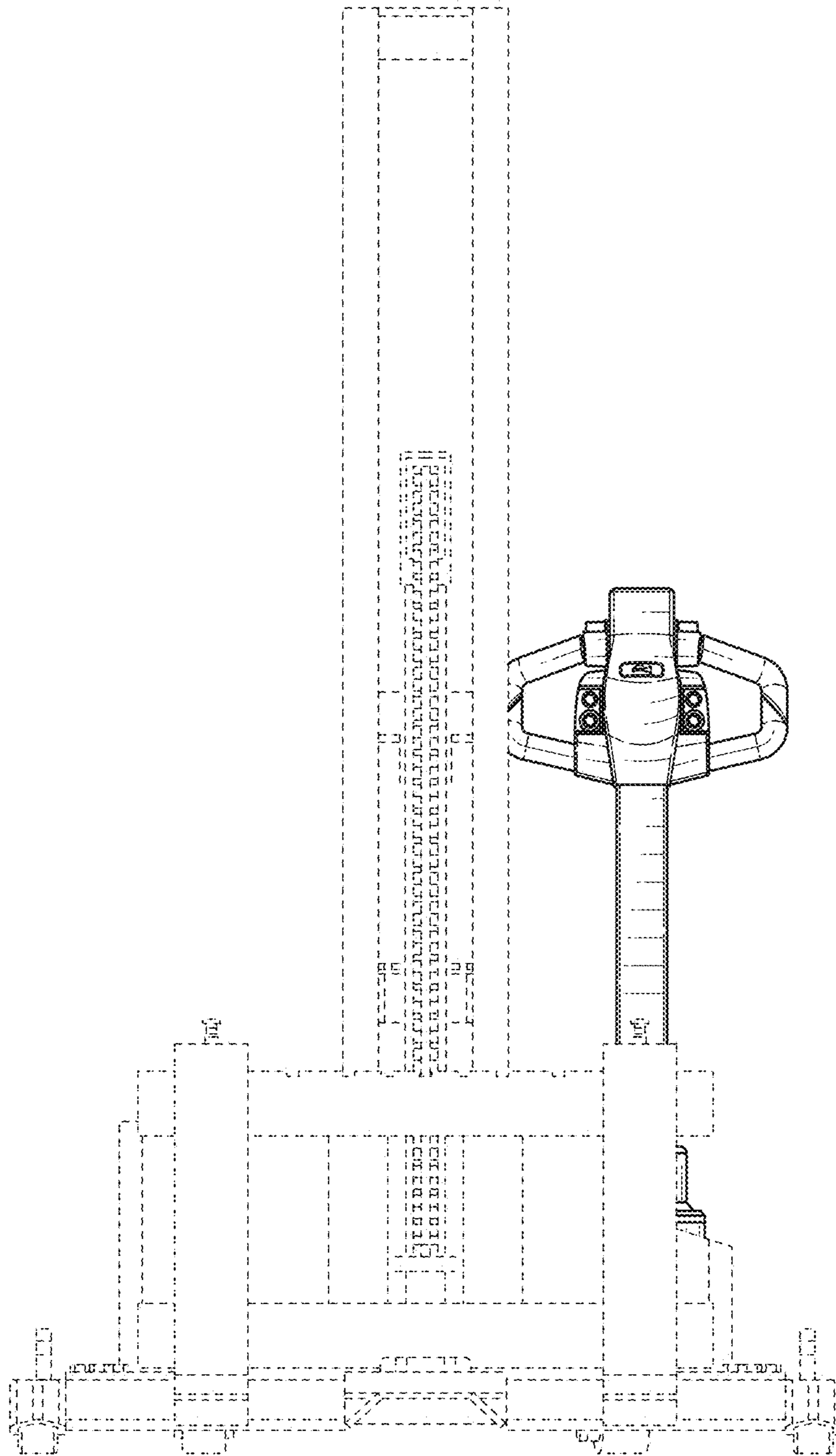


FIG. 7

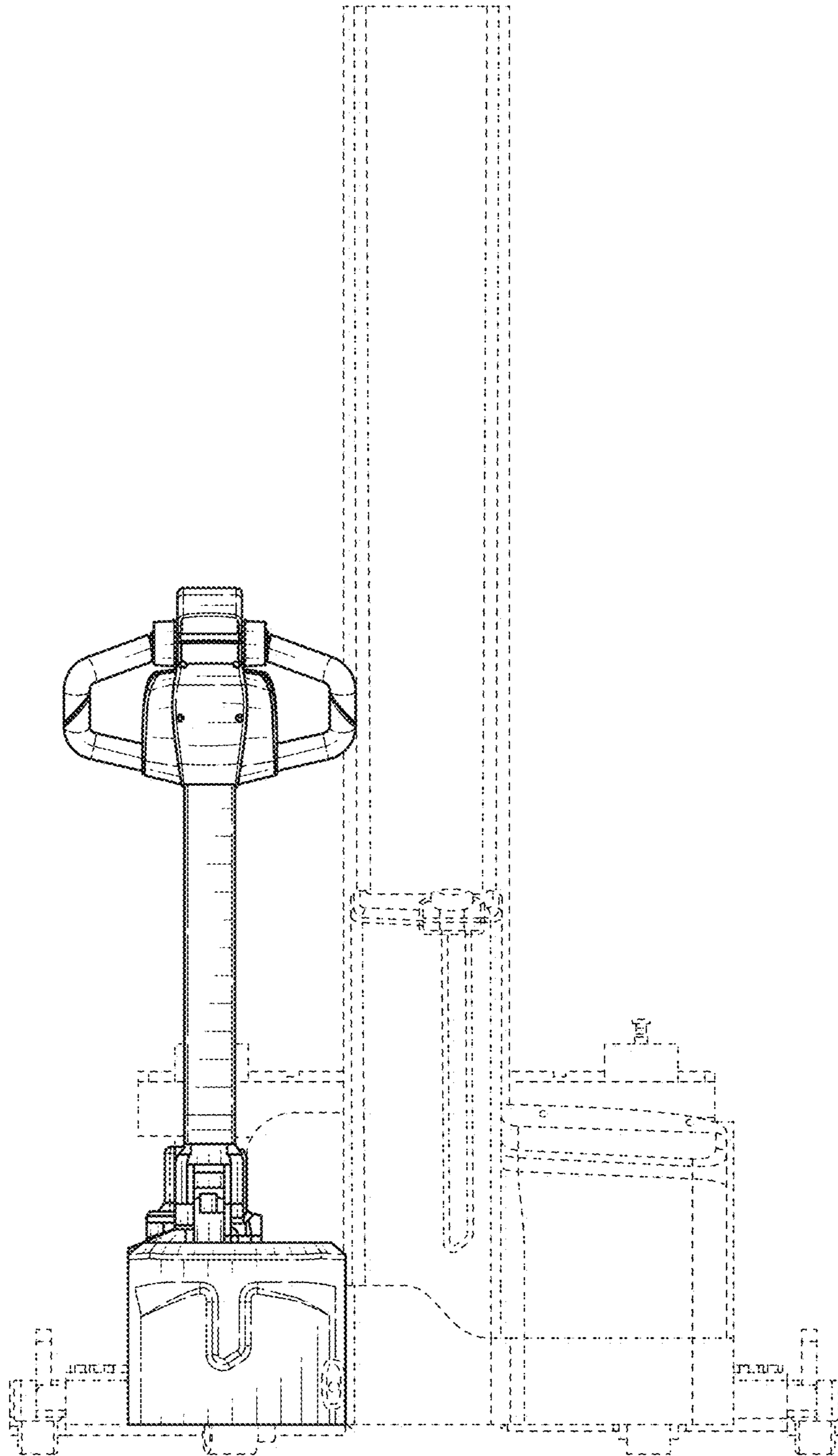


FIG. 8

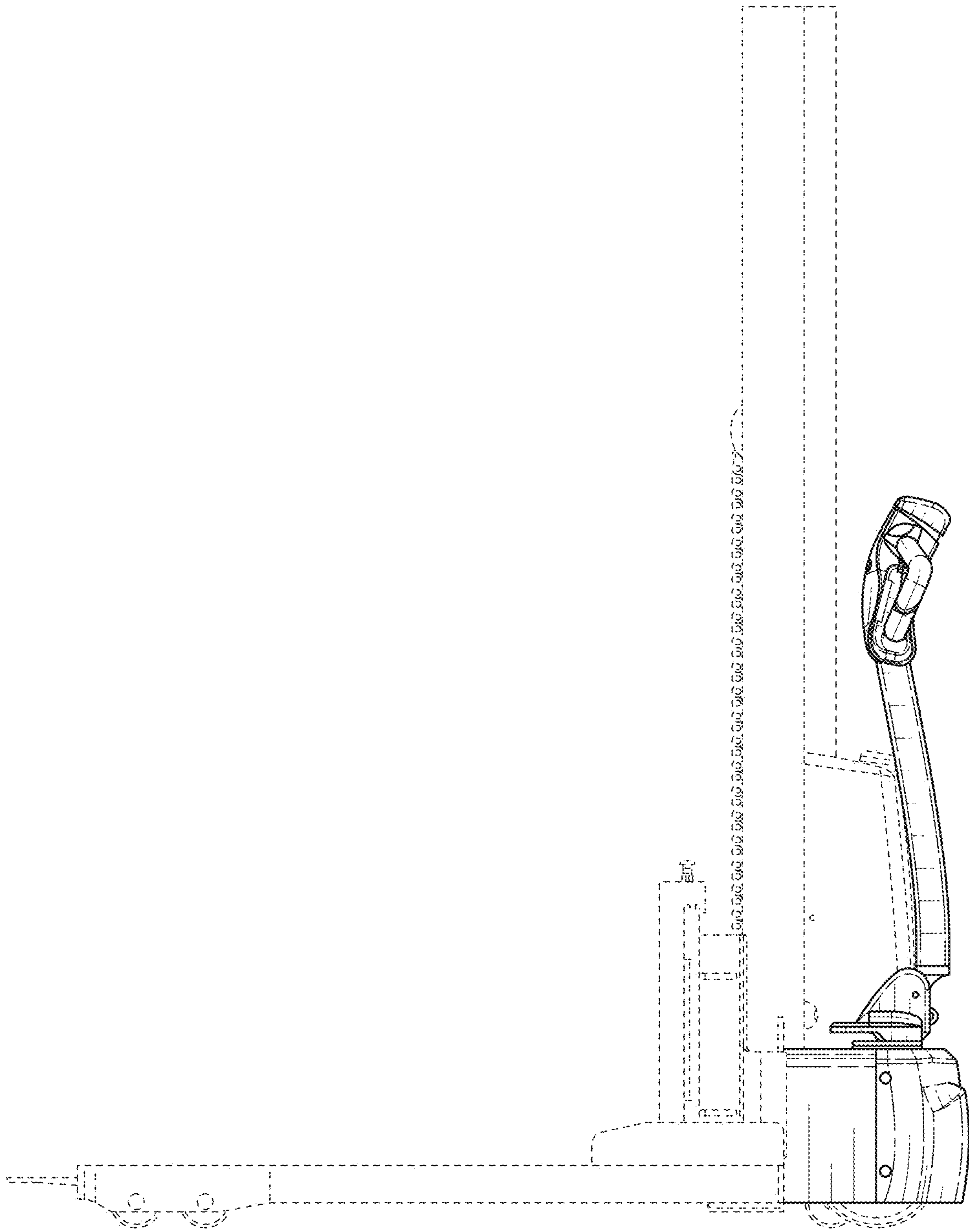


FIG. 9

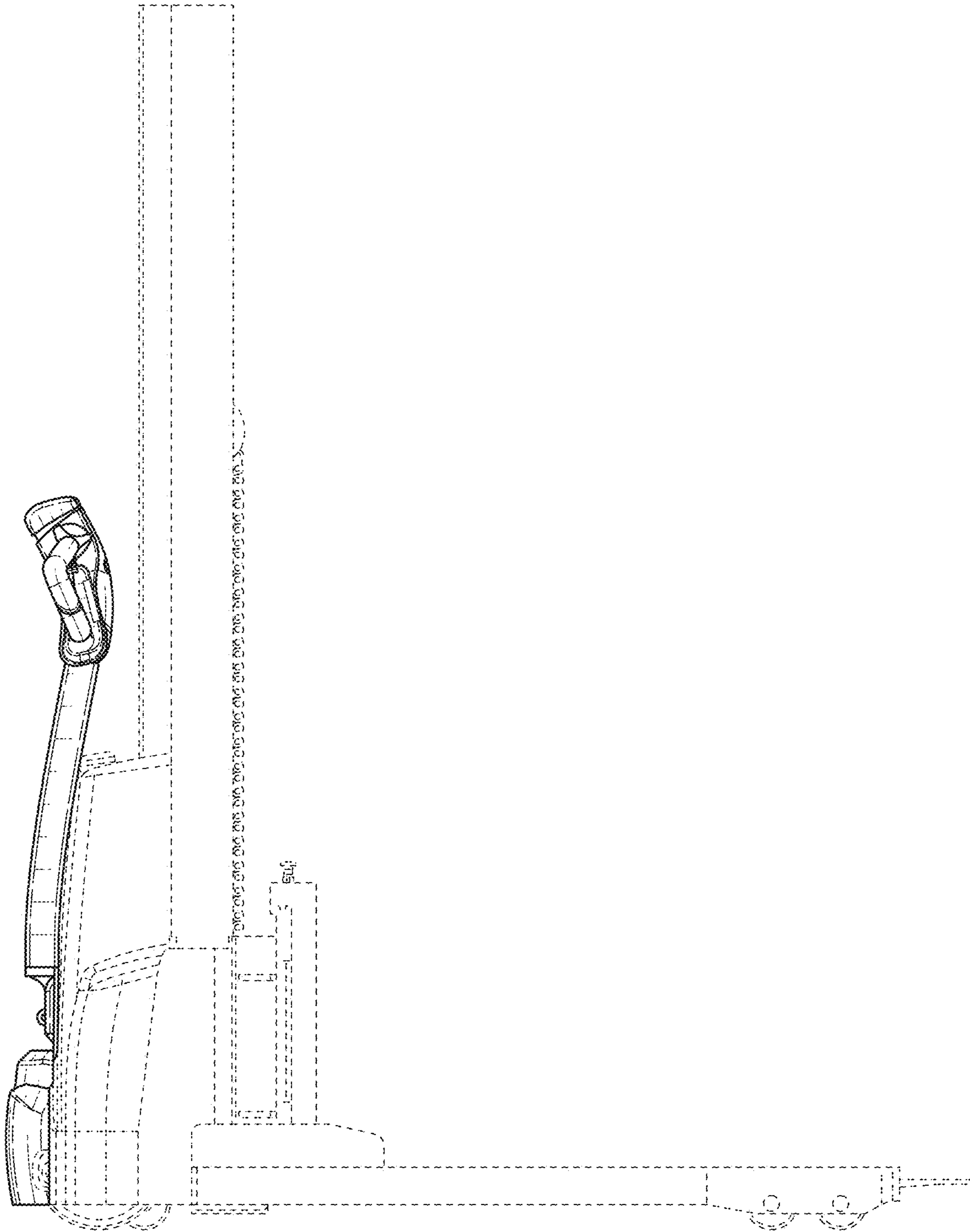


FIG. 10

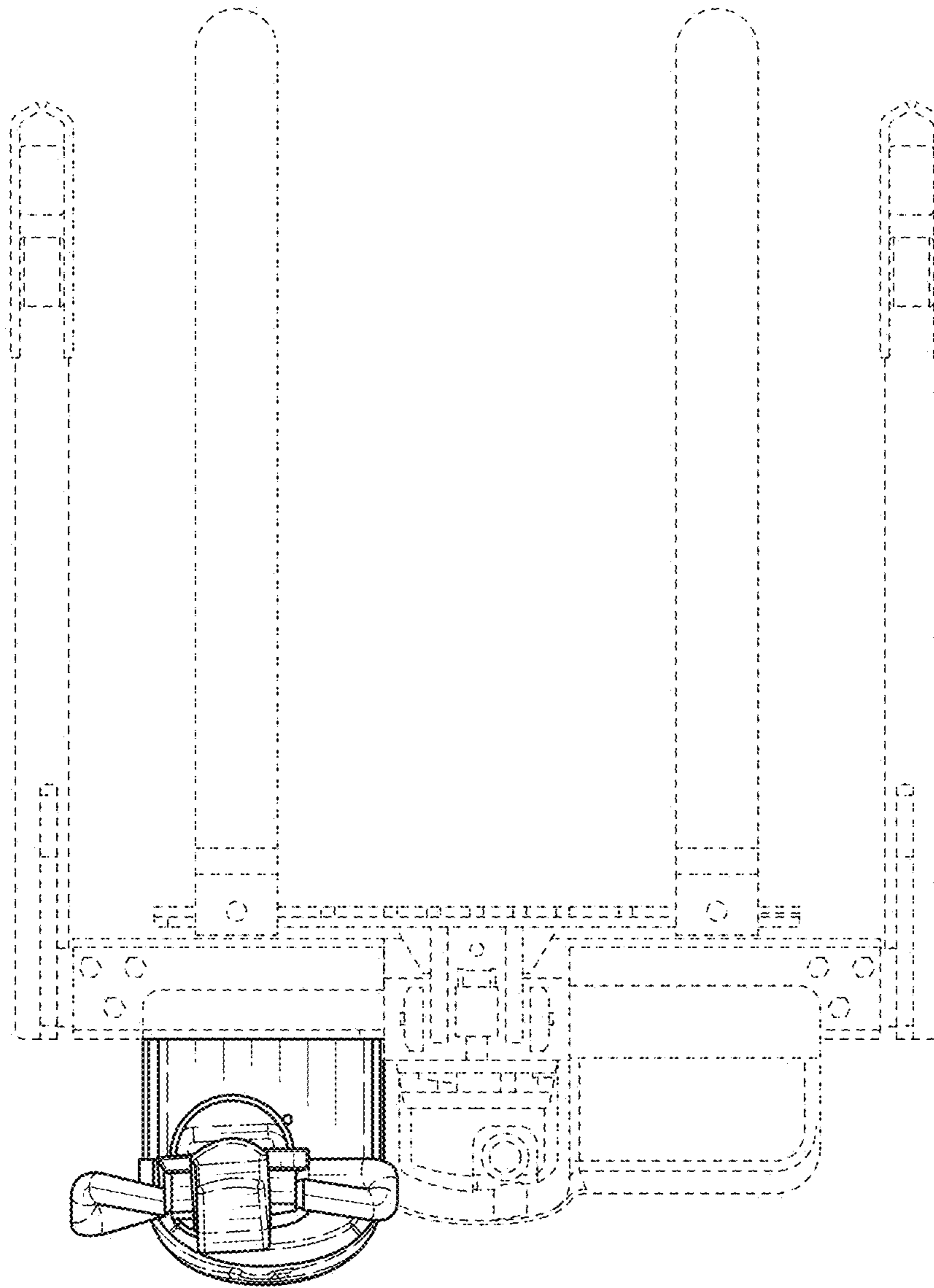


FIG. 11

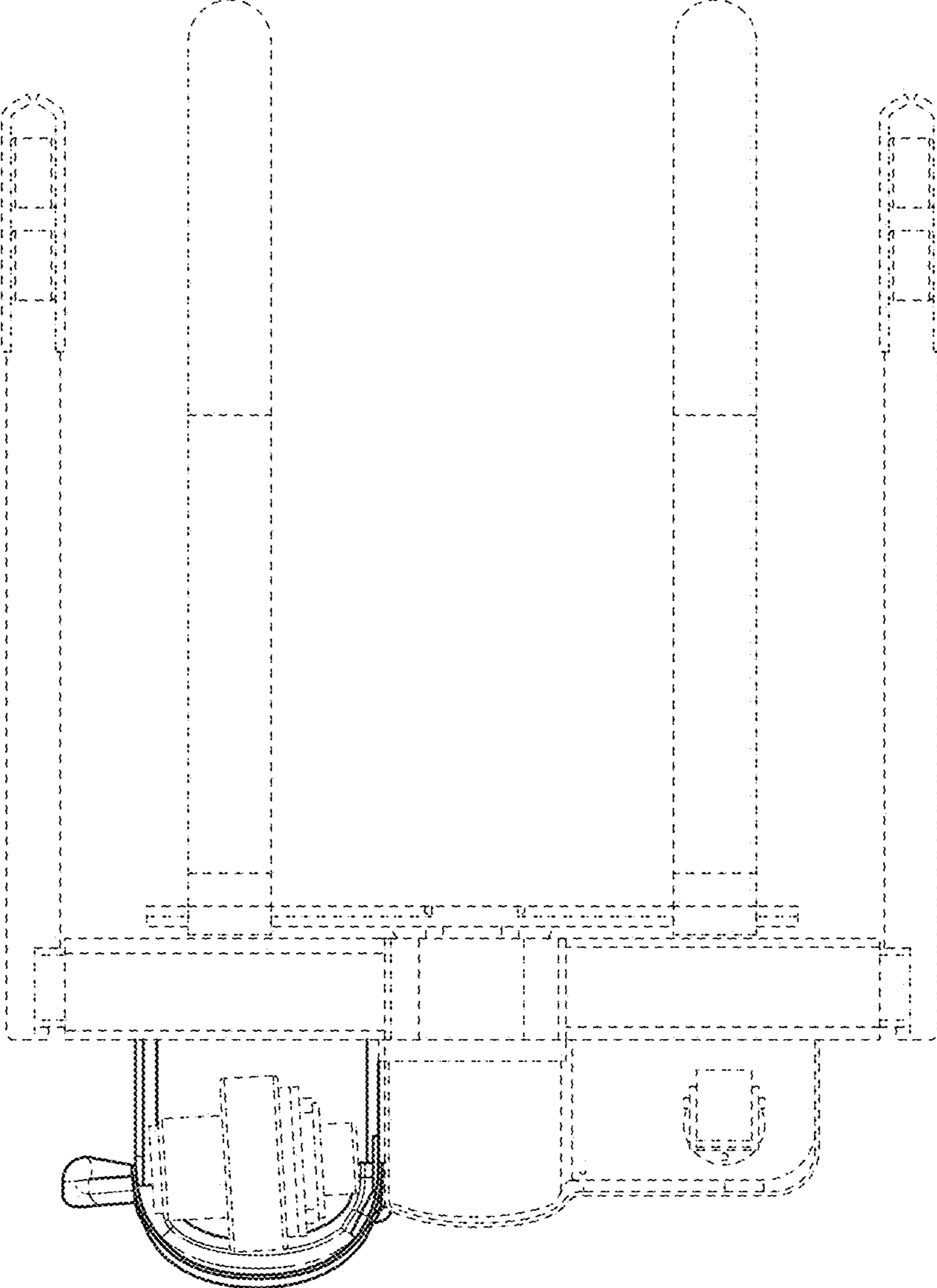


FIG. 12