

US00D891021S

(12) **United States Design Patent**  
**Wedl**

(10) **Patent No.:** **US D891,021 S**  
(45) **Date of Patent:** **\*\* Jul. 21, 2020**

- (54) **DREDGER**
- (71) Applicant: **Liebherr-Werk Nenzing GmbH, Nenzing (AT)**
- (72) Inventor: **Sebastian Wedl, Feldkirch (AT)**
- (73) Assignee: **LIEBHERR-WERK NENZING GMBH, Nenzing (AT)**

- 4,555,032 A \* 11/1985 Mick ..... B66C 23/78  
180/116
- 5,040,900 A \* 8/1991 Boggs ..... B09B 1/00  
366/343
- 5,096,253 A \* 3/1992 Jo ..... B60J 1/04  
296/190.1
- D663,324 S \* 7/2012 Fuchita ..... D15/25
- D666,375 S \* 8/2012 Bohnacker ..... D34/33
- D666,784 S \* 9/2012 Bohnacker ..... D34/33

(Continued)

(\*\*) Term: **15 Years**

*Primary Examiner* — Mark A Goodwin  
*Assistant Examiner* — Benjamin M Weeks

(21) Appl. No.: **29/598,396**

(74) *Attorney, Agent, or Firm* — McCoy Russell LLP

(22) Filed: **Mar. 24, 2017**

(57) **CLAIM**

(30) **Foreign Application Priority Data**

The ornamental design for a dredger, as shown and described.

Oct. 18, 2016 (EP) ..... 003424035

(51) **LOC (12) Cl.** ..... **12-05**

(52) **U.S. Cl.**  
USPC ..... **D34/33**

(58) **Field of Classification Search**  
USPC ..... D15/10-33; D34/33, 28; 212/291, 280,  
212/297, 302, 223, 255, 253; 182/142,  
182/150, 36, 37  
CPC ..... E02F 3/40; E02F 3/30; E02F 3/32; A01F  
15/046; B66C 13/14; B66C 13/46; B66C  
13/18; B66C 13/16; B66C 13/06; B66C  
13/22; B66C 23/76

See application file for complete search history.

**DESCRIPTION**

(56) **References Cited**

**U.S. PATENT DOCUMENTS**

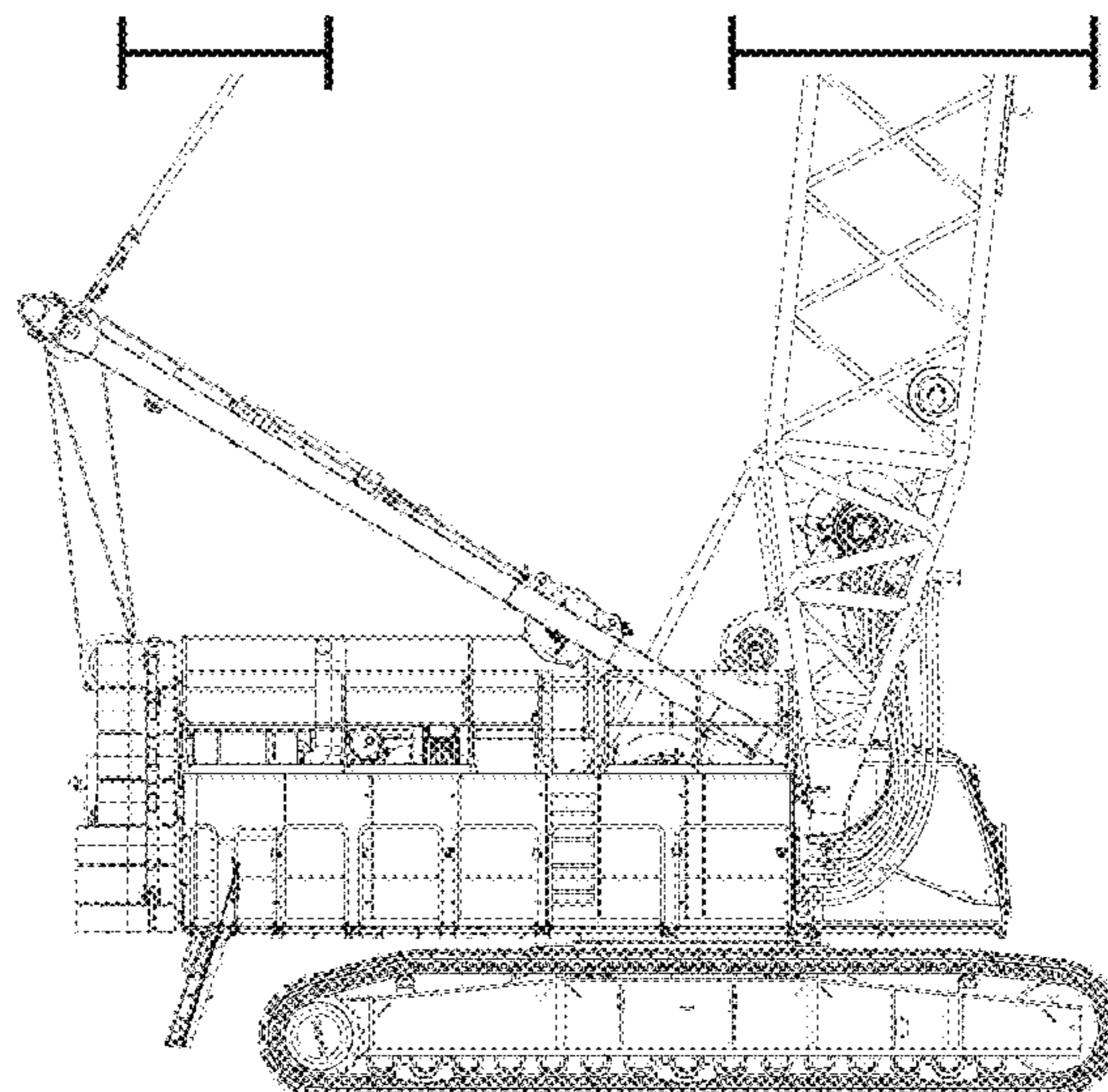
- 1,577,761 A \* 3/1926 Ruth ..... B62D 55/084  
37/307
- 2,035,044 A \* 3/1936 Carle ..... B66C 23/94  
212/223
- 3,726,349 A \* 4/1973 Heusler ..... E02F 3/4135  
175/45
- 3,892,079 A \* 7/1975 Hirano ..... E02F 3/30  
37/309

FIG. 1 is a left side view of a design for a dredger.  
FIG. 2 is a right side view of the dredger of FIG. 1.  
FIG. 3 is a top view of the dredger of FIG. 1.  
FIG. 4 is a rear view of the dredger of FIG. 1.  
FIG. 5 is a front view of the dredger of FIG. 1.  
FIG. 6 is a right-rear perspective view of the dredger of FIG. 1; and,  
FIG. 7 is a right-front perspective view of the dredger of FIG. 1.

The solid lines in FIGS. 1-7 illustrate a design for a dredger according to the present disclosure. A bottom view is not shown because there are no claimed features on the bottom view other than those features included in the views provided. The break lines in FIGS. 1-2 and the break lines in FIGS. 4-7 illustrate the extension of the dredger. The break lines and the extension of the dredger beyond the break lines form no part of the claimed design.

The broken lines in FIGS. 1-2 and 6-7 at the tread drive portion illustrate portions of the dredger that form no part of the claimed design.

**1 Claim, 7 Drawing Sheets**





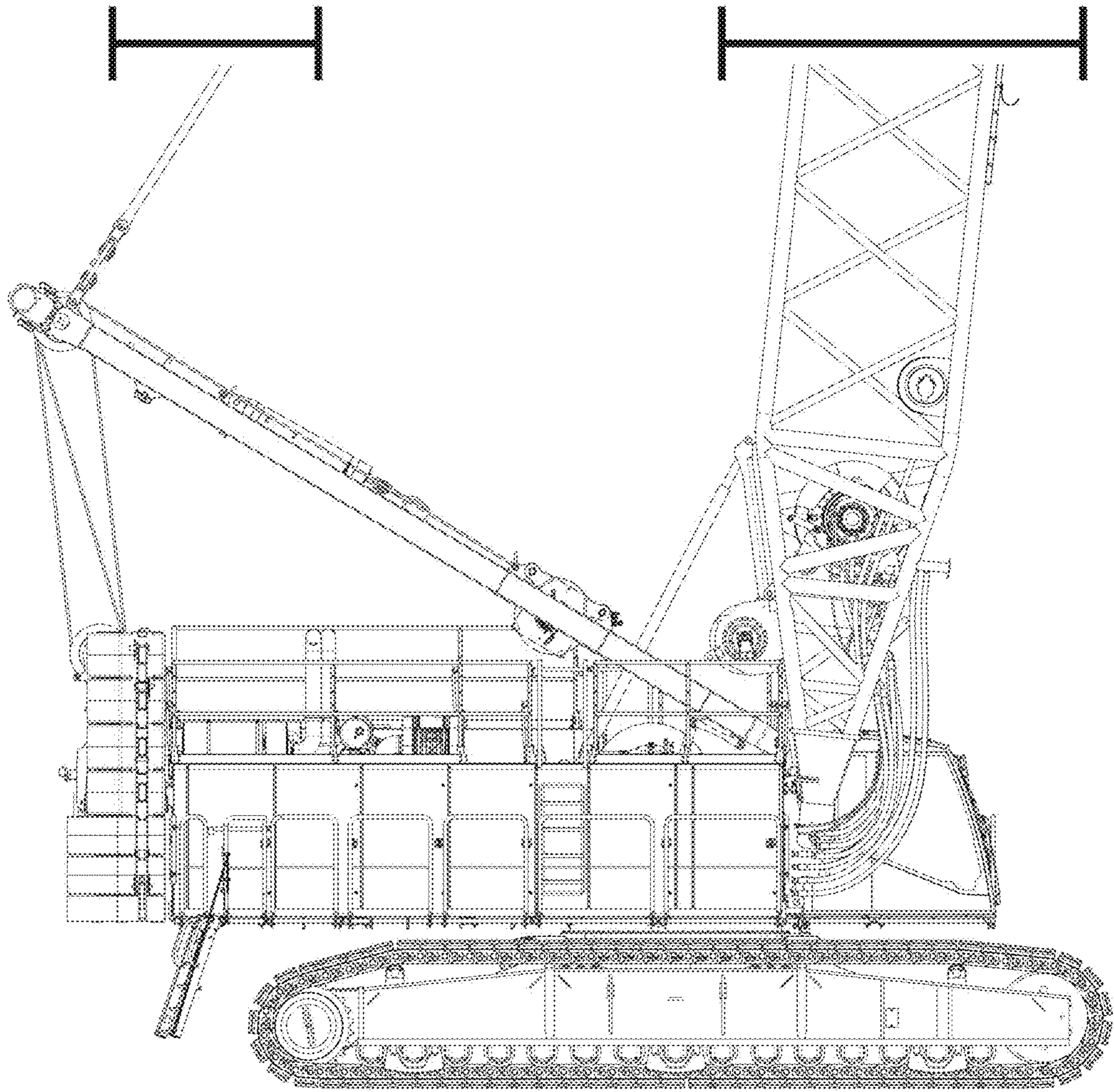


FIG. 1

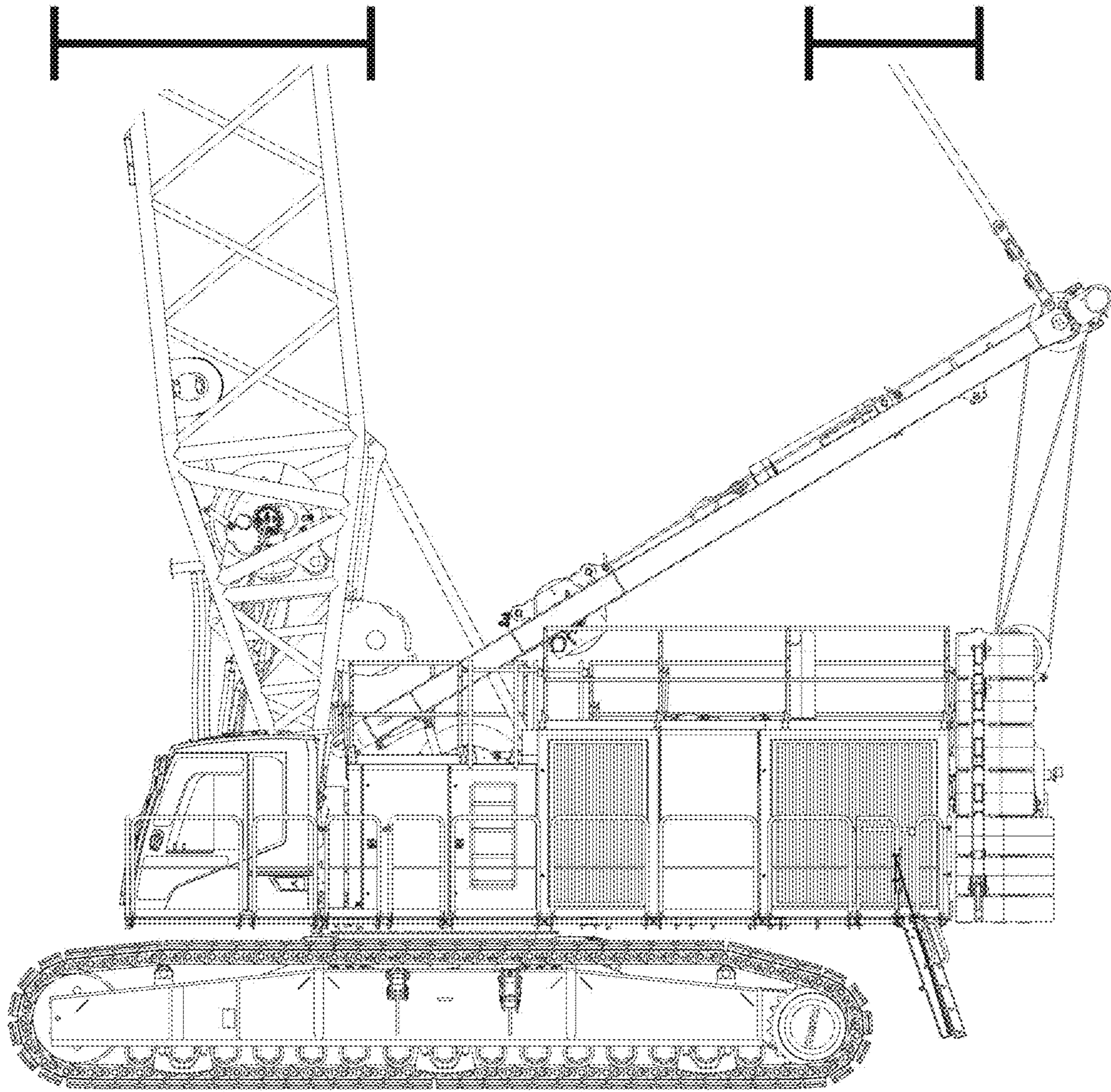


FIG. 2

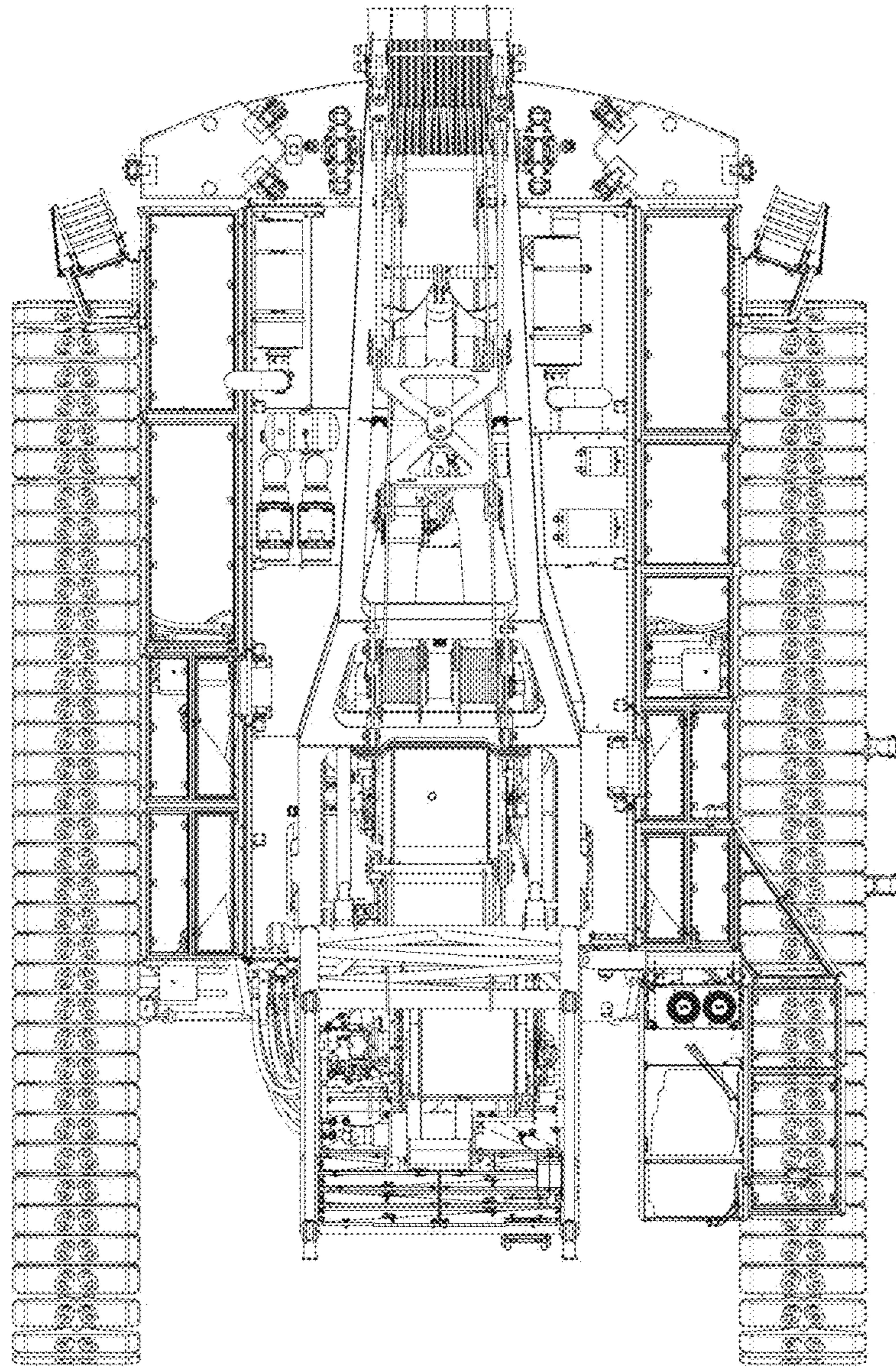


FIG. 3

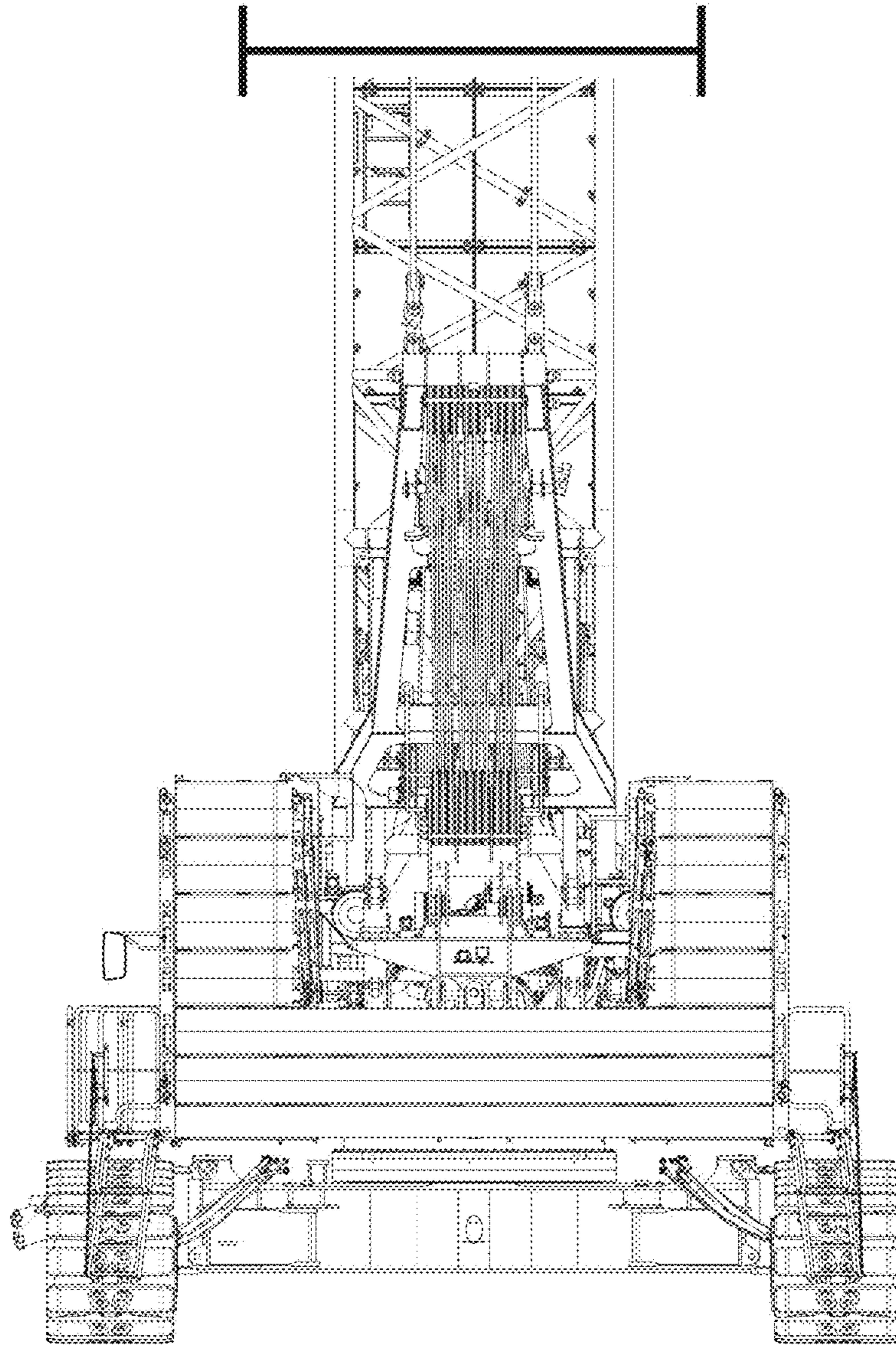


FIG. 4

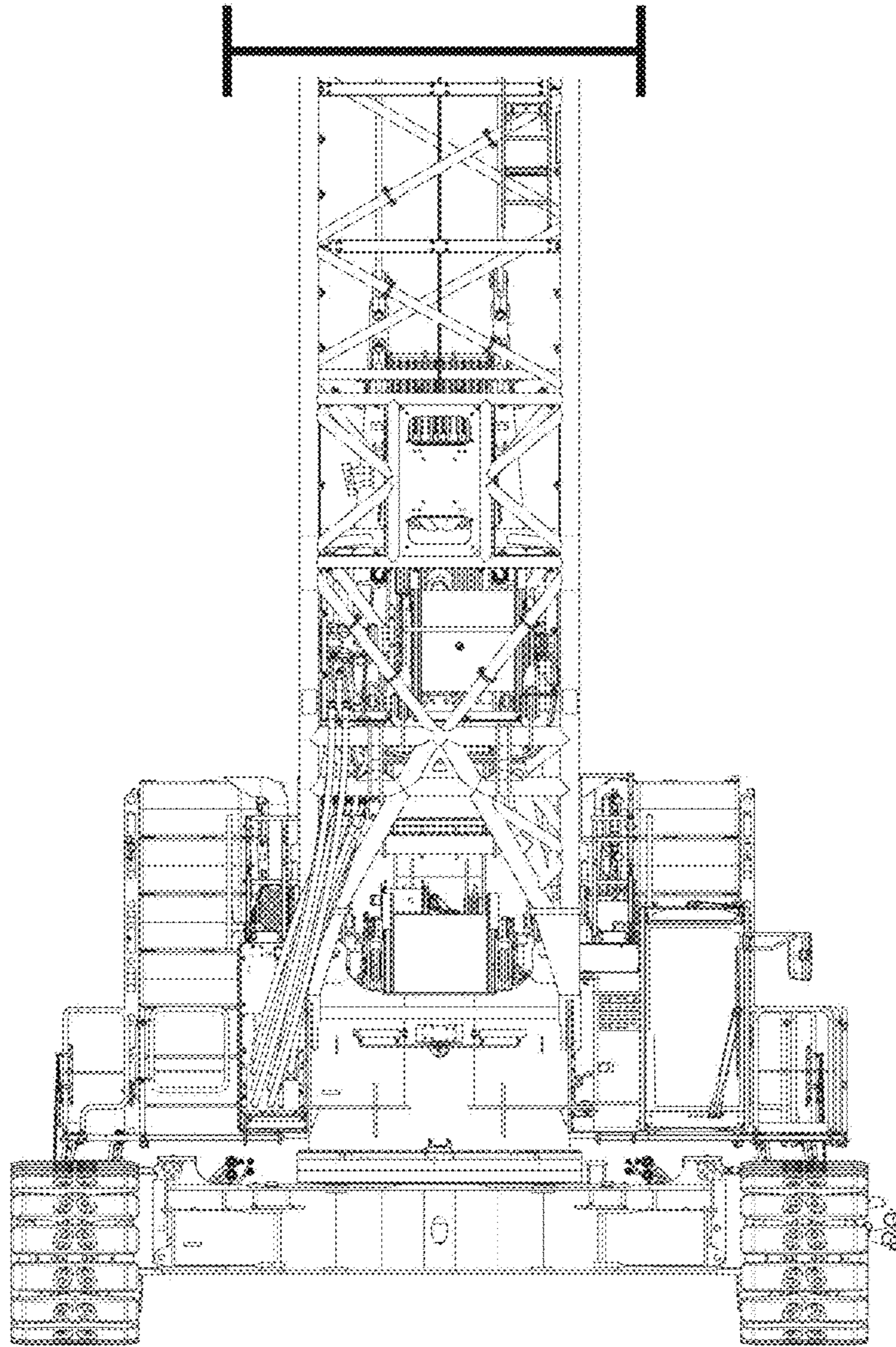


FIG. 5

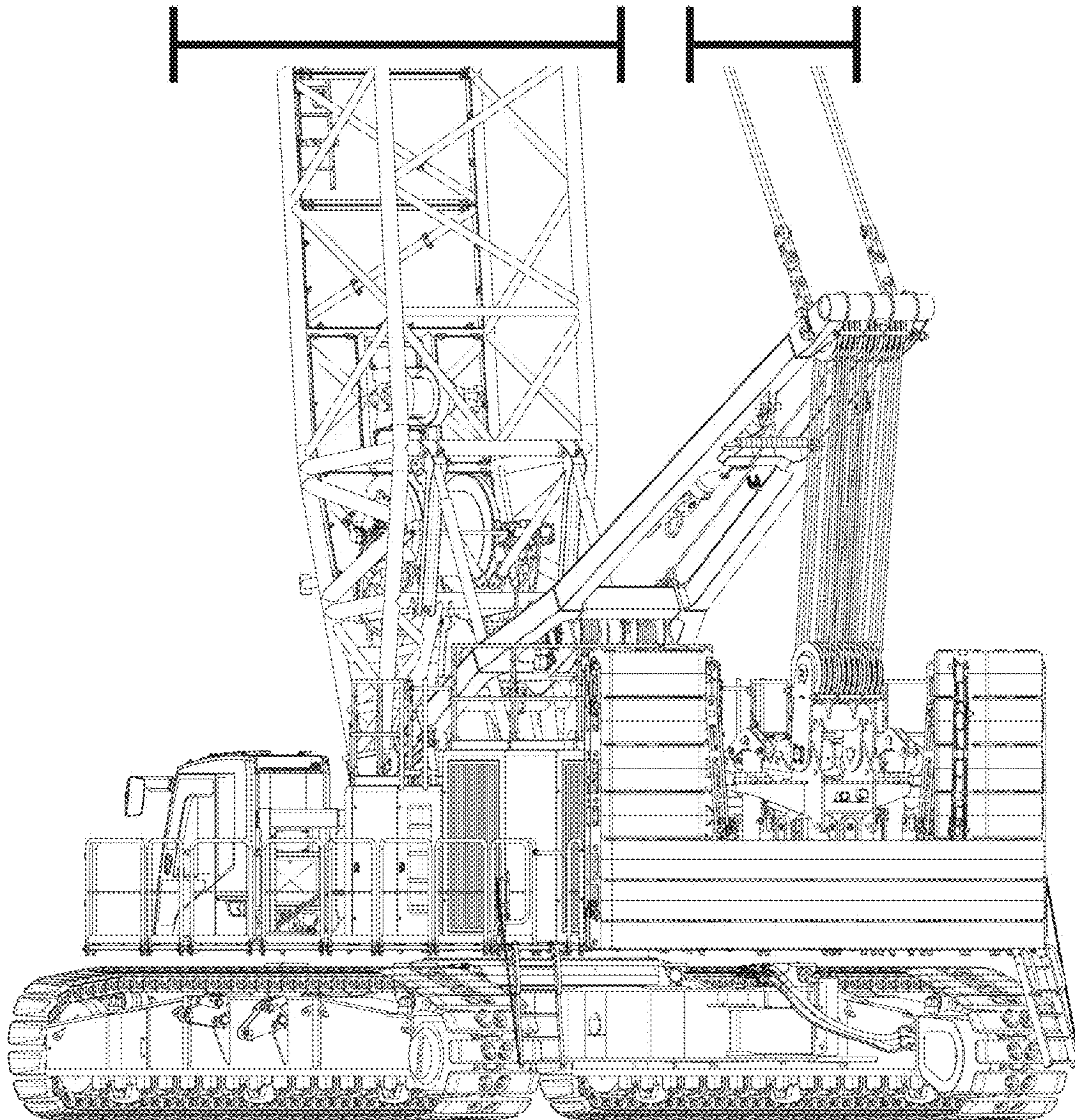


FIG. 6



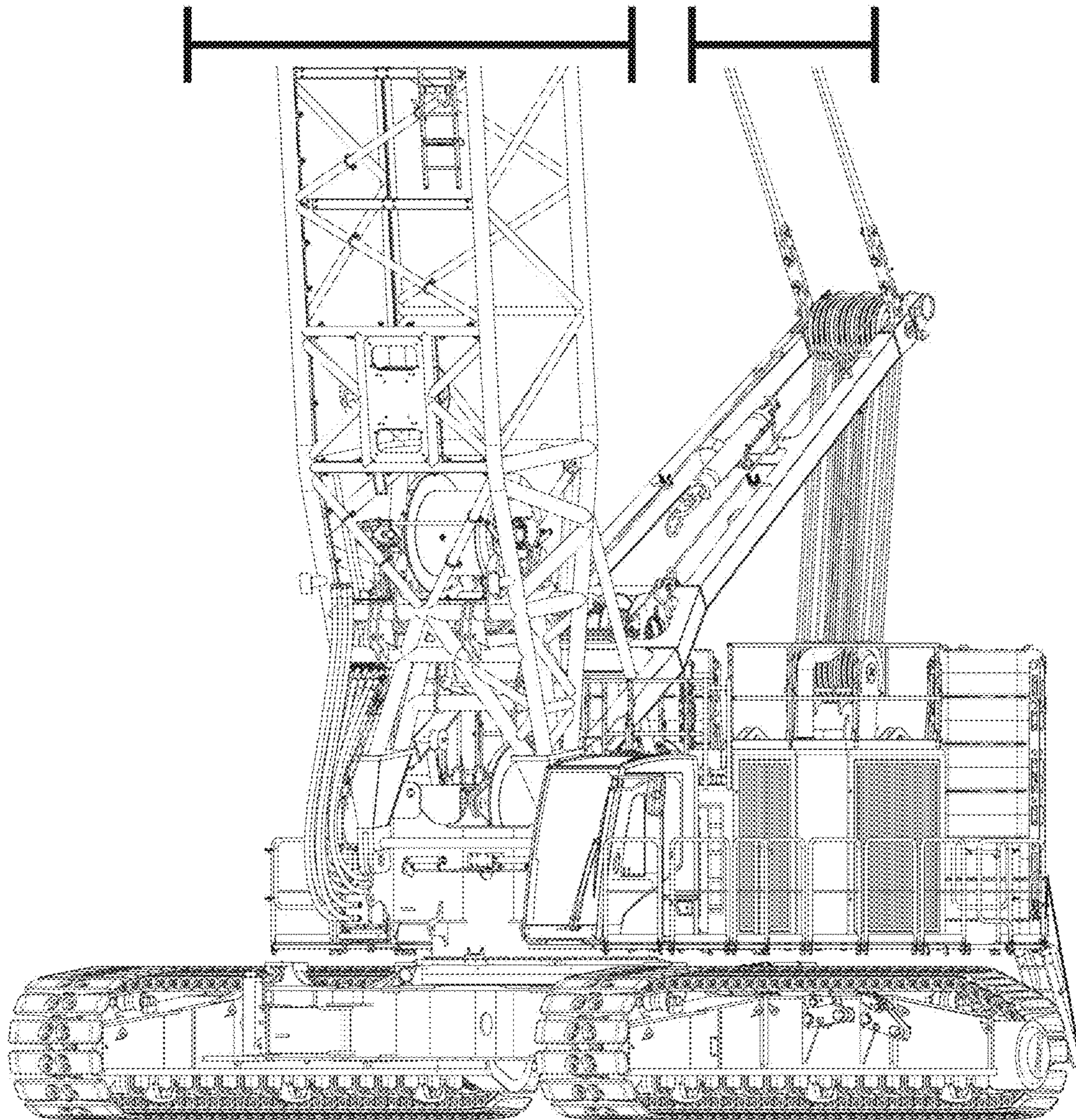


FIG. 7